



US00D965712S

(12) **United States Design Patent** (10) **Patent No.:** **US D965,712 S**
Myer (45) **Date of Patent:** **** Oct. 4, 2022**

- (54) **DUMBBELL HOLDING DEVICE** 5,573,484 A * 11/1996 Carpenter A63B 21/00181
482/108
- (71) Applicant: **FREETIME PRODUCTS, LLC,** 5,630,776 A * 5/1997 Yang A63B 71/0036
Humboldt, IA (US) 211/198
- (72) Inventor: **Nathan L. Myer,** Humboldt, IA (US) 5,971,339 A * 10/1999 Falasco, Jr. A63B 21/072
482/109
- (73) Assignee: **FREETIME PRODUCTS, LLC,** D416,959 S * 11/1999 Tumminia D21/679
Humboldt, IA (US) D474,819 S * 5/2003 Panicali D21/681
D481,771 S * 11/2003 Anderson A63B 21/072
D21/681
- (**) Term: **15 Years** 6,689,022 B1 * 2/2004 Emick A63B 21/06
482/93
- (21) Appl. No.: **29/731,975** 7,201,711 B2 4/2007 Towley, III et al.
D587,767 S * 3/2009 Hauser D21/662
7,789,814 B1 * 9/2010 Xu A63B 21/0728
482/93

- (22) Filed: **Apr. 20, 2020**
- (51) **LOC (13) Cl.** **21-02**
- (52) **U.S. Cl.**
USPC **D21/694**
- (58) **Field of Classification Search**
USPC D21/662, 681, 682, 694; 482/49, 50, 93,
482/104, 106, 107, 108, 109, 139;
D8/380, 499
CPC A63B 21/072; A63B 21/0726; A63B
21/4035; A63B 21/0722; A63B 21/0728;
A63B 21/00065; A63B 21/075; A63B
21/0724
See application file for complete search history.

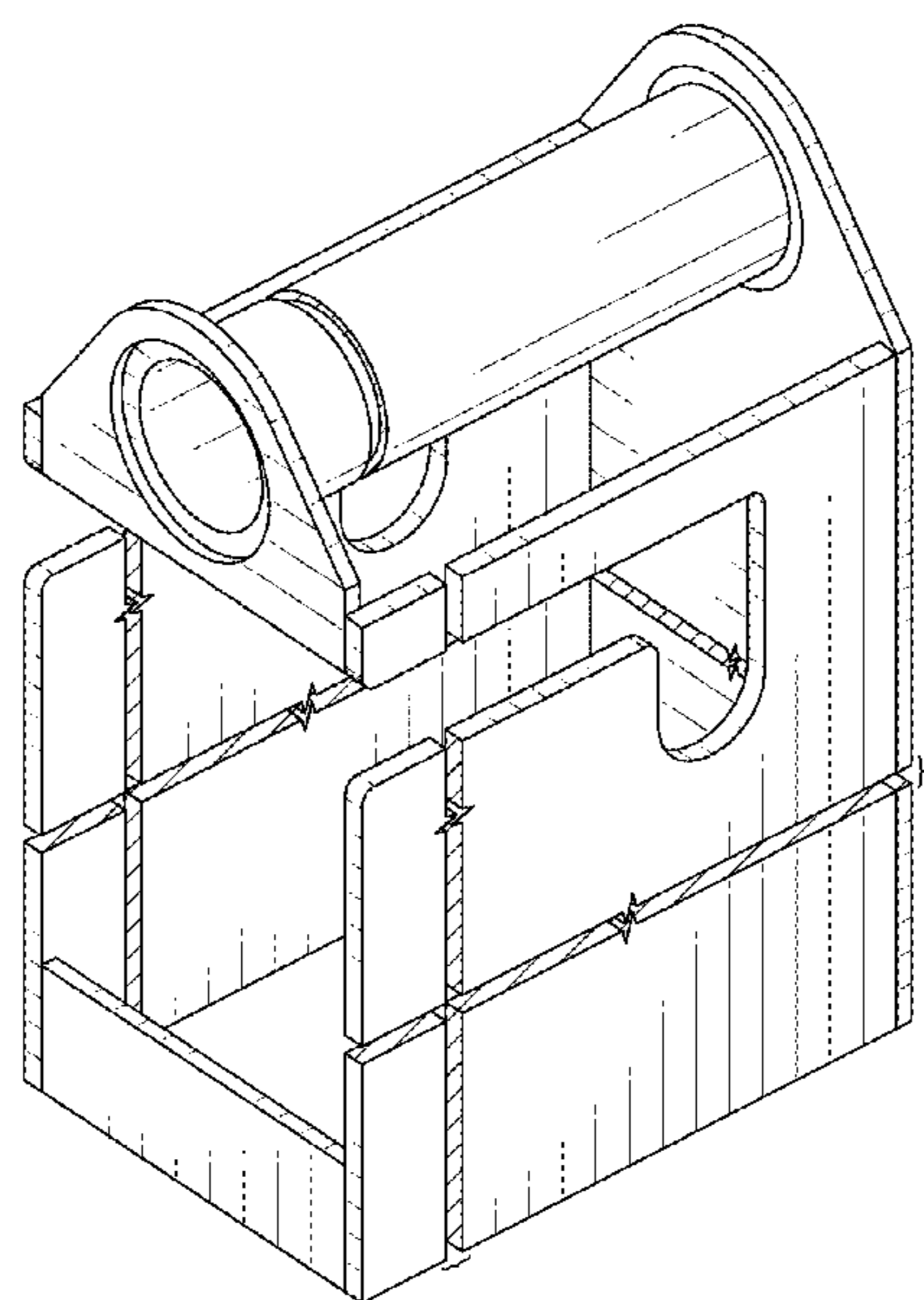
- (56) **References Cited**
U.S. PATENT DOCUMENTS
D246,697 S * 12/1977 Graetz D8/499
4,345,756 A * 8/1982 Hoagland A63B 21/072
482/109
D275,979 S * 10/1984 Eischen, Sr. D21/692
4,681,315 A * 7/1987 Yang A63B 21/0726
482/50
D293,204 S * 12/1987 Trubiano D8/499
4,768,780 A * 9/1988 Hayes A63B 21/0724
482/106
5,496,243 A 3/1996 Mien

(Continued)
Primary Examiner — Ryan Harvey
(74) *Attorney, Agent, or Firm* — McKee, Voorhees & Sease, PLC

(57) **CLAIM**
The ornamental design for a dumbbell holding device, as shown and described.

DESCRIPTION
FIG. 1 is a perspective view of a dumbbell holding device; FIG. 2 is a front view thereof; FIG. 3 is a rear view thereof; FIG. 4 is a left-side view thereof, the right-side view being a mirror image thereof; FIG. 5 is a top view thereof; FIG. 6 is a bottom view thereof; and, FIG. 7 is an environmental view thereof. Structure and environment shown in broken lines form no part of the claimed design. The dumbbell holding device is shown with symbolic breaks in its length and its width. The appearance of any portion of the article between the break lines form no part of the claimed design.

1 Claim, 6 Drawing Sheets



(56)

References Cited

U.S. PATENT DOCUMENTS

7,958,582	B1 *	6/2011	Scamardo	B6N 2/885				
				5/632				
7,963,891	B1 *	6/2011	Zeaman	A63B 21/4035				
				482/106				
D665,860	S *	8/2012	Lovegrove	D8/394				
8,267,841	B1 *	9/2012	Allison	A63B 21/075				
				482/106				
8,684,889	B1 *	4/2014	Berrisford	A63B 21/0726				
				482/126				
D736,575	S *	8/2015	Tufford	D7/669				
9,126,079	B2 *	9/2015	Jordan	A63B 21/072				
9,616,270	B2 *	4/2017	Towley	A63B 21/075				
9,731,159	B2 *	8/2017	Reynolds	A63B 21/4035				
9,731,161	B2 *	8/2017	Meeker	A63B 21/075				
9,795,823	B2 *	10/2017	Wyncott	A63B 21/072				
D804,592	S *	12/2017	Wittmack	D21/681				
D813,324	S *	3/2018	Batten	D21/694				
10,188,899	B1 *	1/2019	Acuna, Jr.	A63B 21/0442				
D845,407	S *	4/2019	Sorin	D21/694				
					D874,585	S *	2/2020	Pellegrino
								D21/694
					2004/0063553	A1 *	4/2004	Viscount
								A63B 21/0728
								482/106
					2004/0185989	A1 *	9/2004	Emick
								A63B 21/4035
								482/106
					2005/0088002	A1 *	4/2005	Dwyer
								A47J 37/0786
								294/26
					2009/0088305	A1 *	4/2009	Marethouse
								A63B 23/0405
								482/139
					2011/0111929	A1 *	5/2011	Allison
								A63B 21/072
								482/93
					2012/0252641	A1 *	10/2012	Odneal
								A63B 21/072
								482/108
					2013/0210589	A1 *	8/2013	Thompson
								A63B 21/0726
								482/108
					2013/0244842	A1 *	9/2013	Henley
								A63B 21/072
								482/106
					2014/0024506	A1 *	1/2014	Vixathep
								A63B 21/072
								482/108
					2017/0113089	A1 *	4/2017	Martin, Sr.
								A63B 21/4035
					2018/0140890	A1 *	5/2018	Sheppard
								A63B 21/0728

* cited by examiner

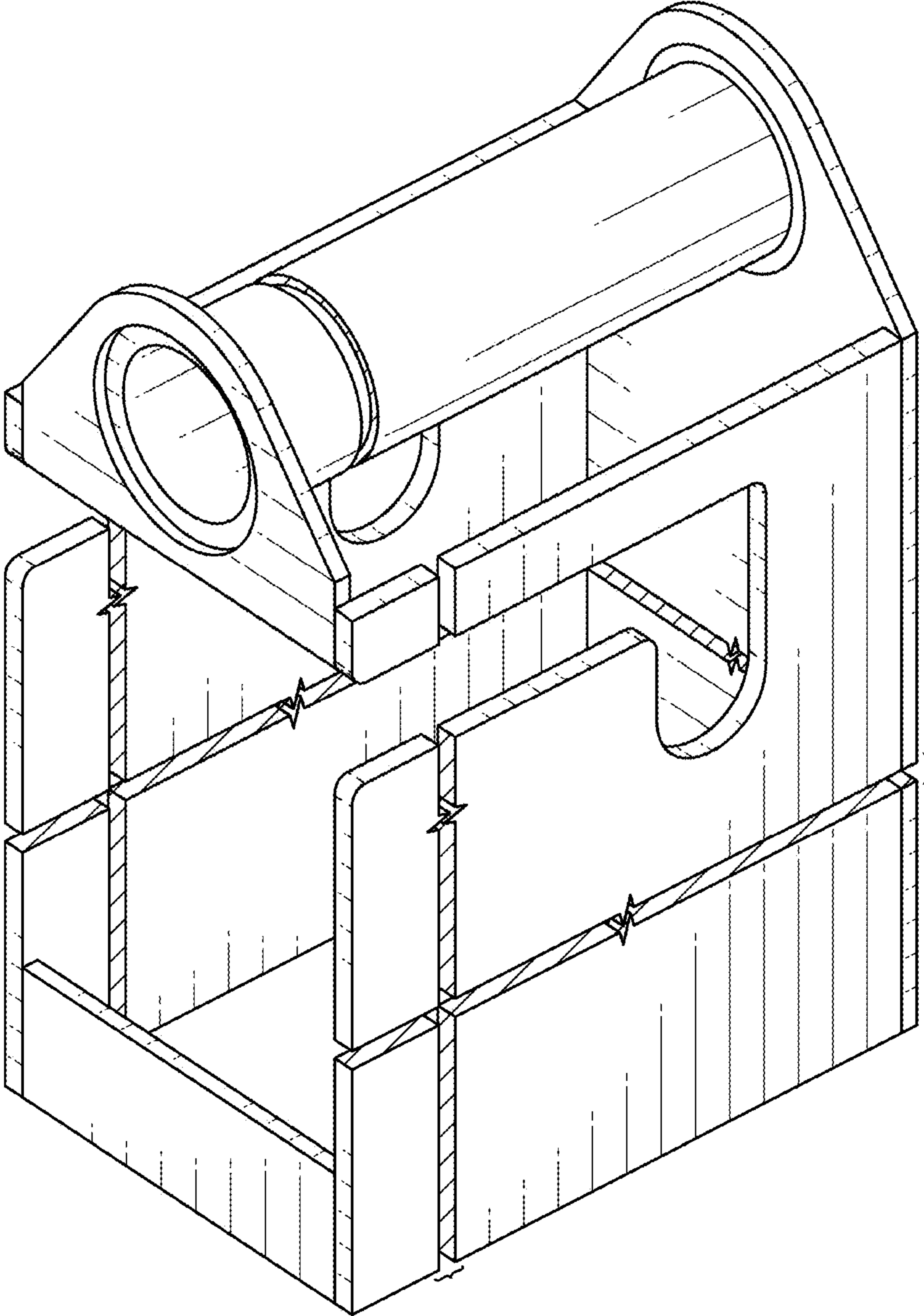


FIG. 1

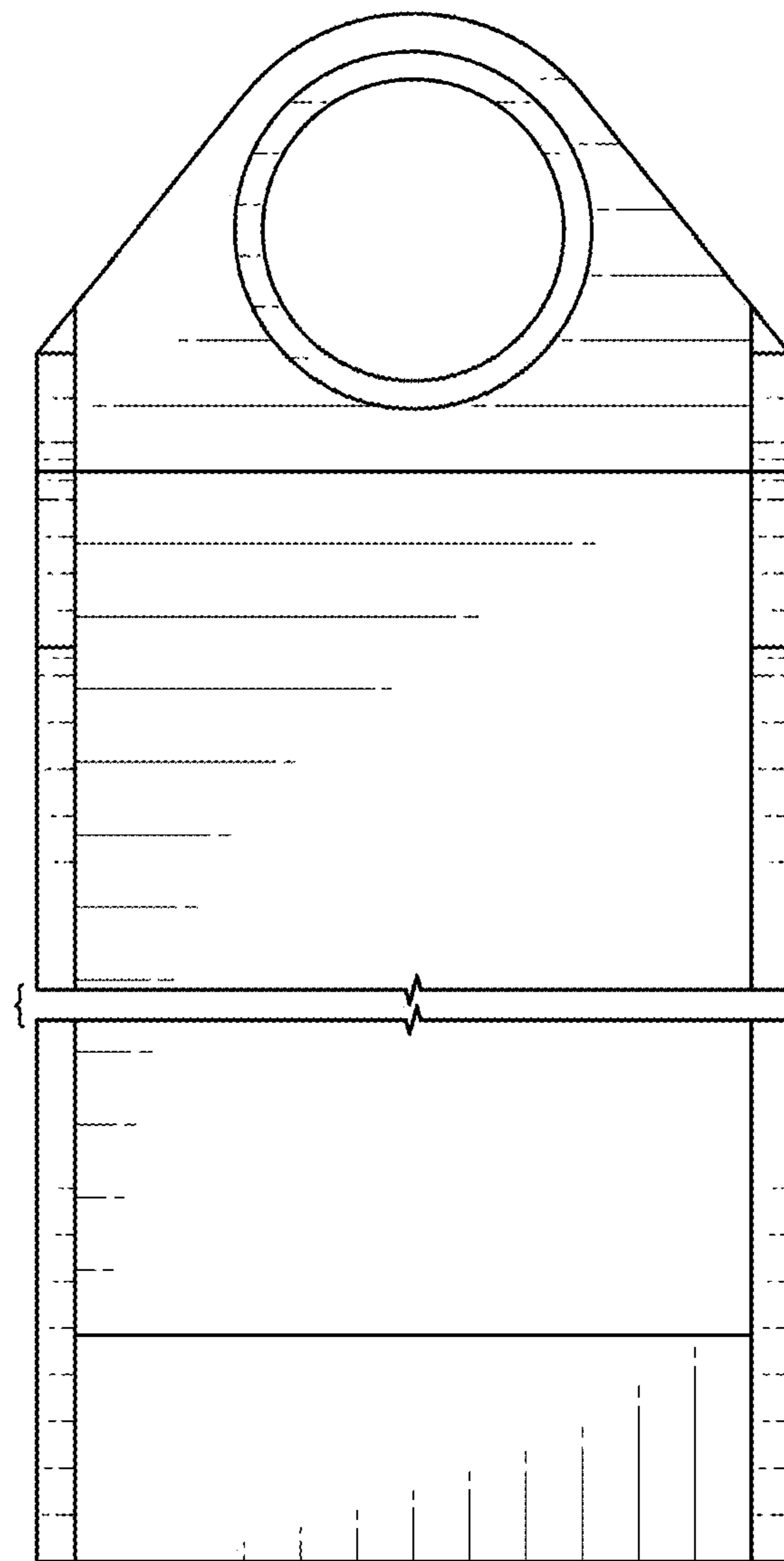


FIG. 2

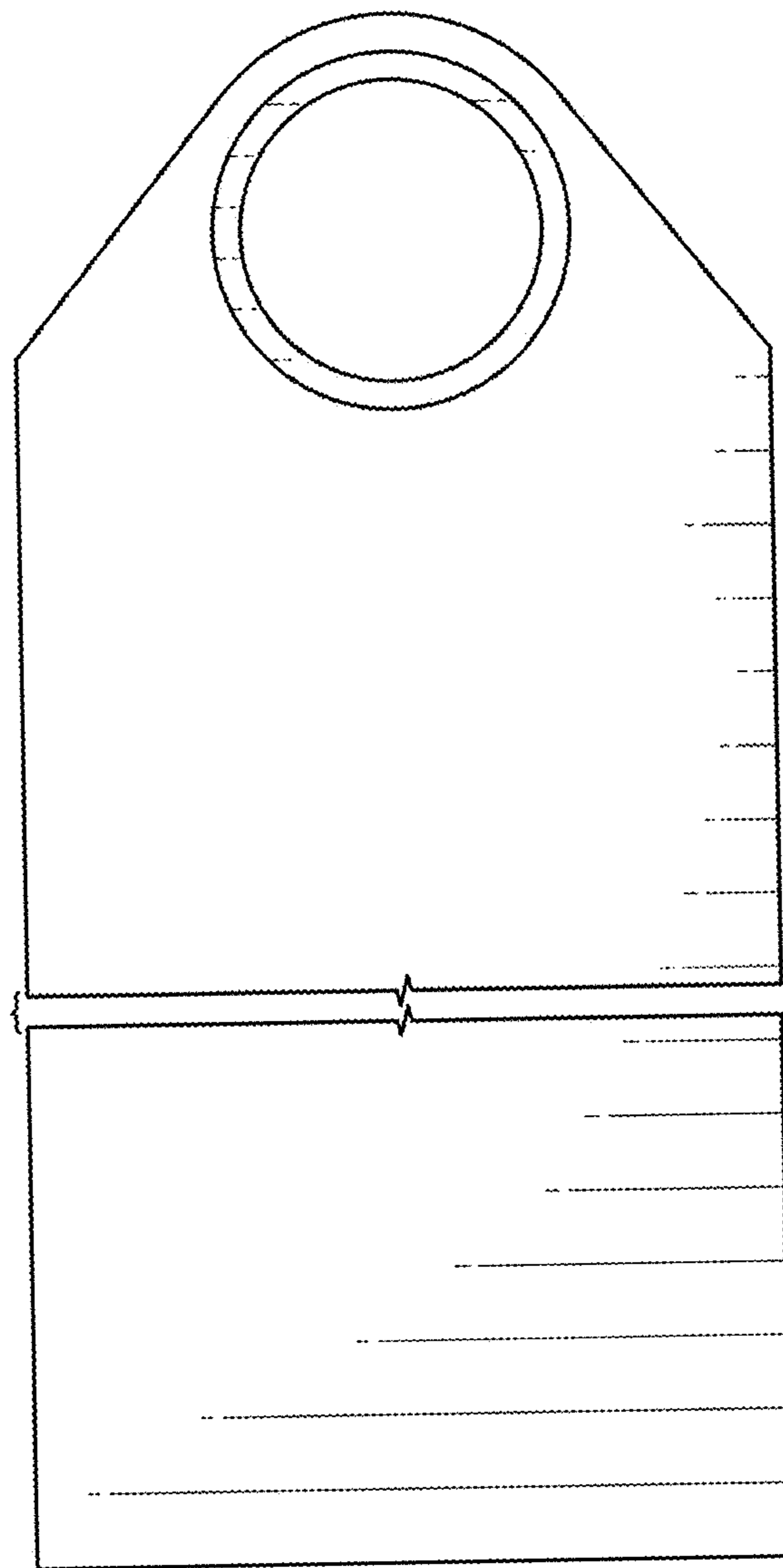


FIG. 3

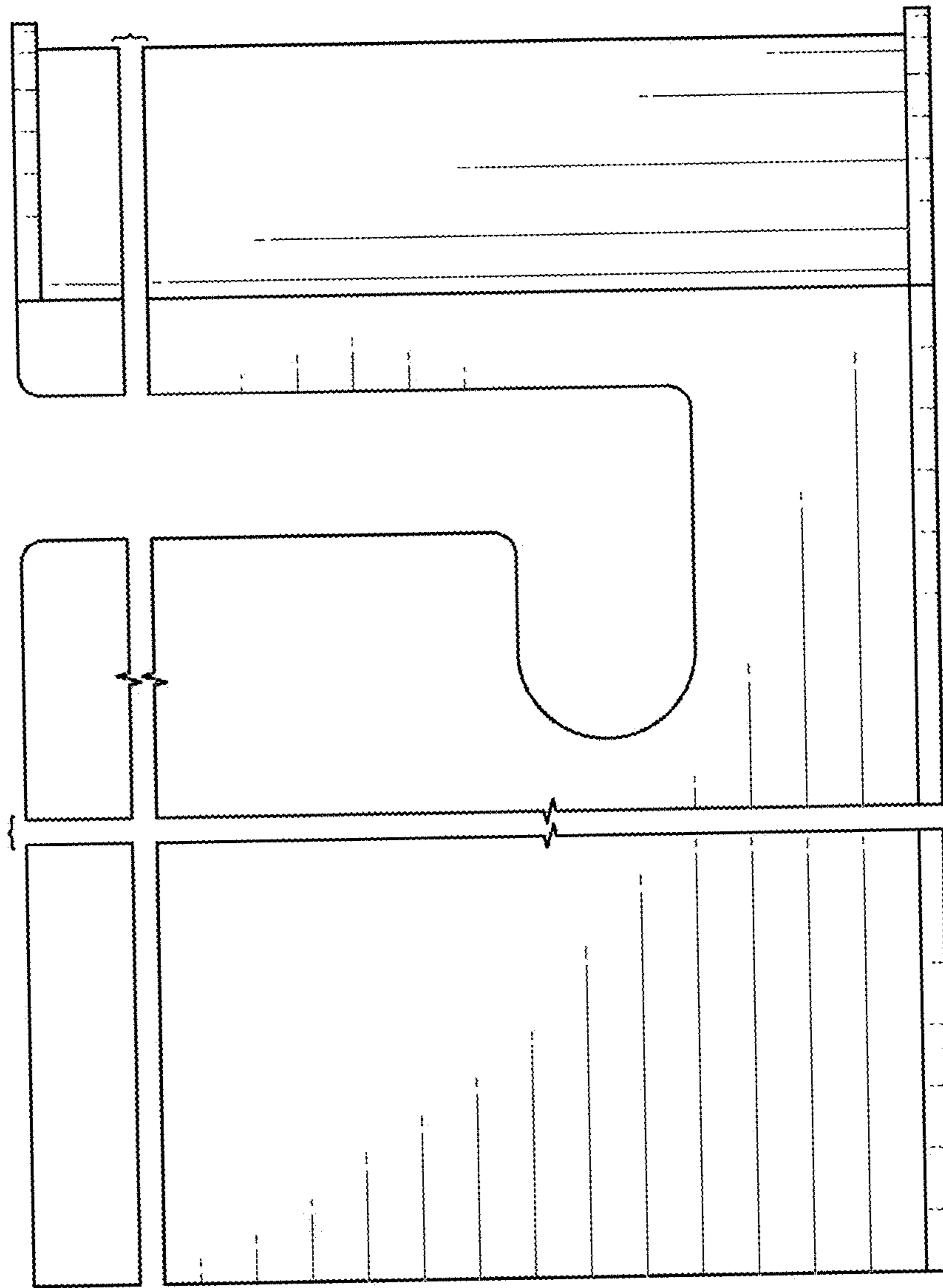


FIG. 4

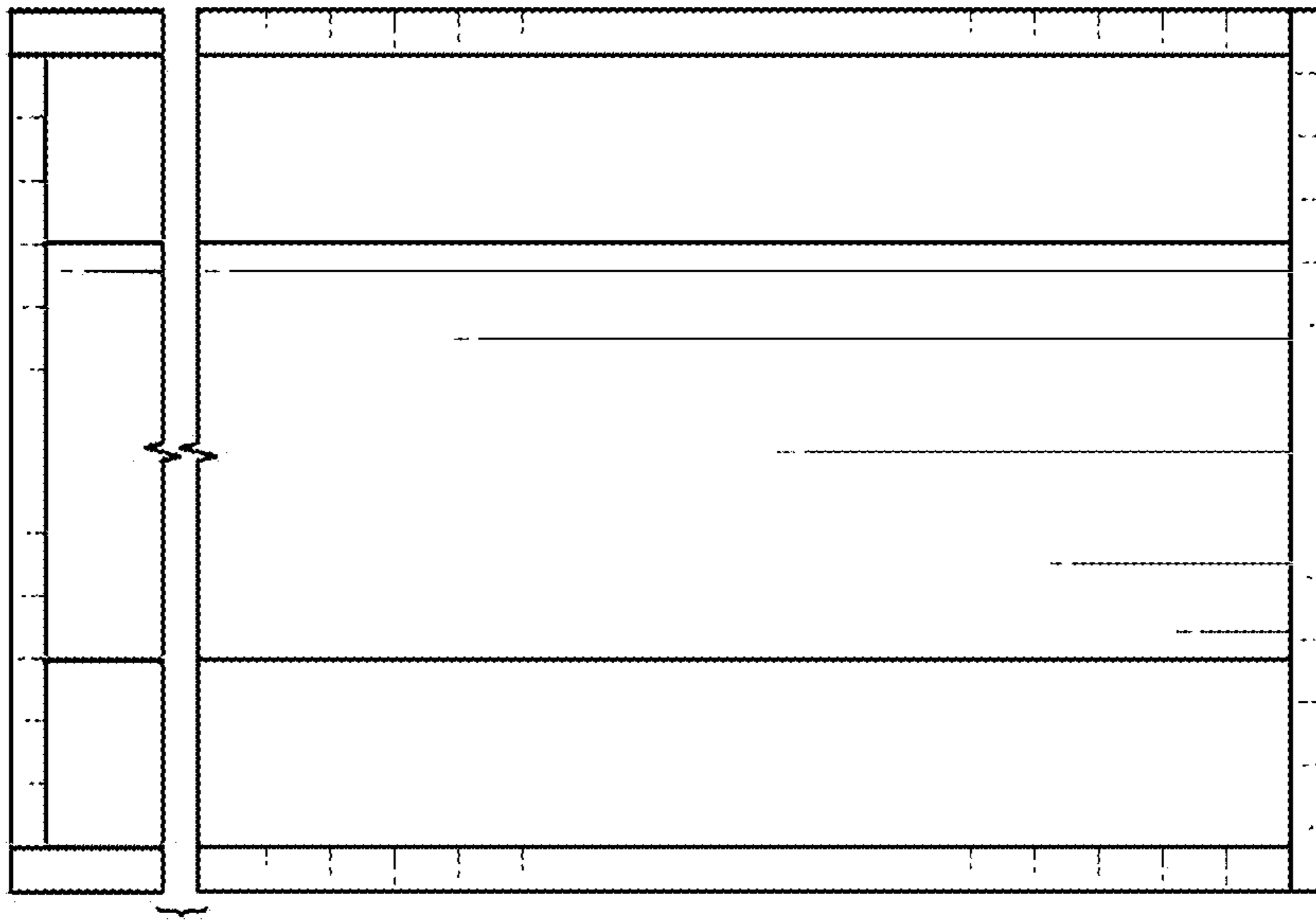


FIG. 6

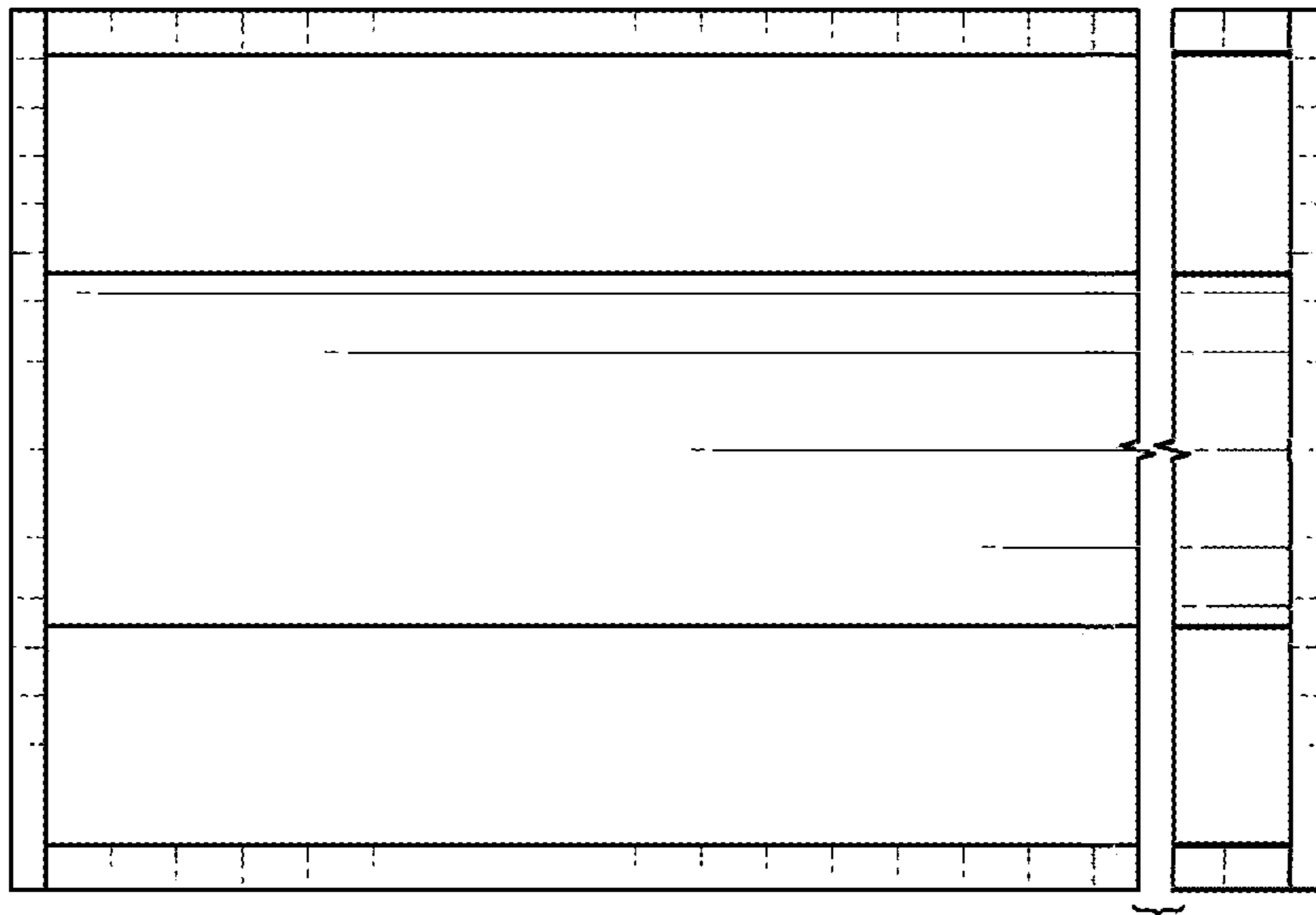


FIG. 5

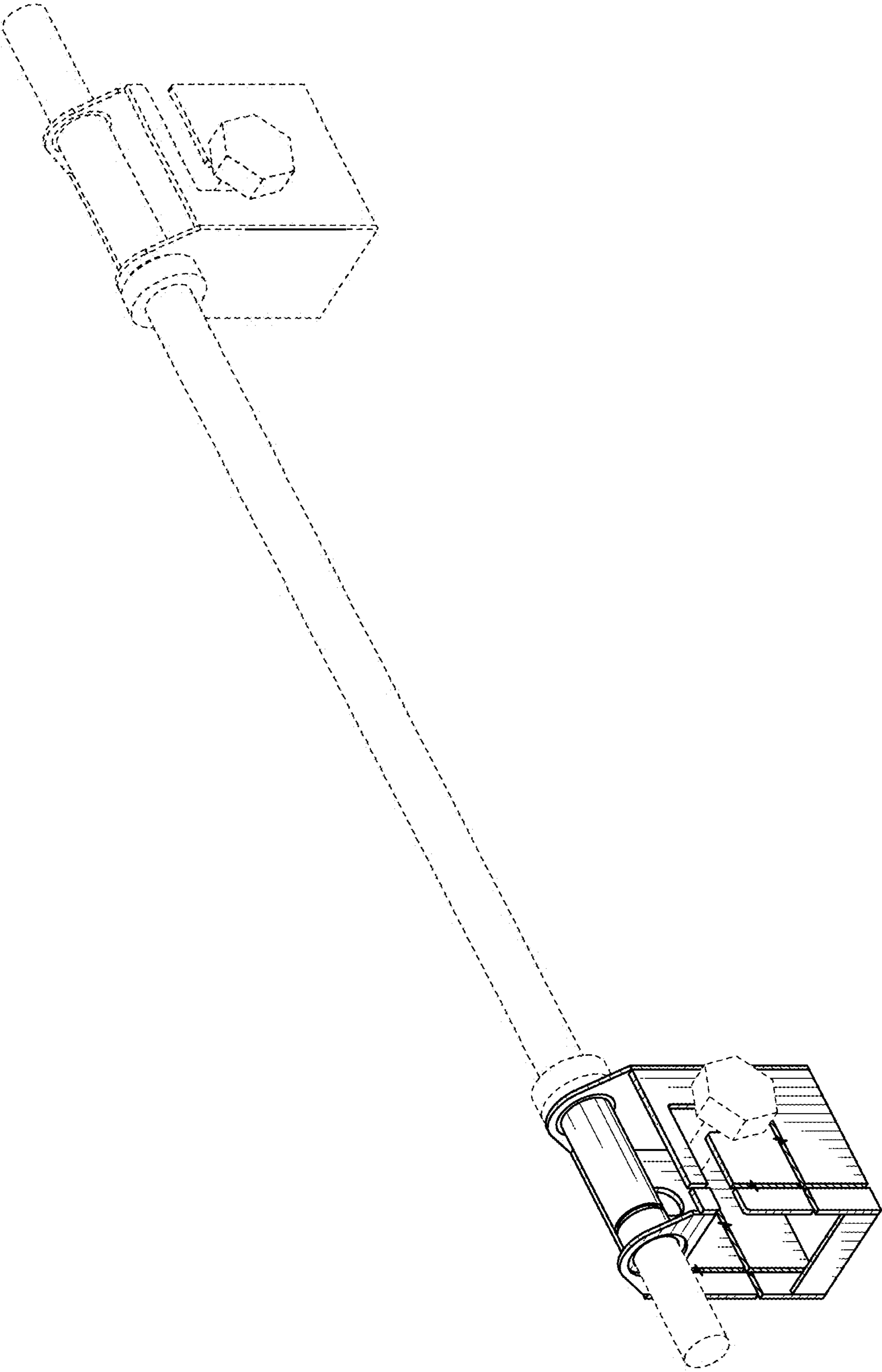


FIG. 7