



US00D965711S

(12) **United States Design Patent**  
**Speas**

(10) **Patent No.:** **US D965,711 S**

(45) **Date of Patent:** **\*\* Oct. 4, 2022**

- (54) **PORTABLE EXERCISE DEVICE**
- (71) Applicant: **Noble Speas**, Germanton, NC (US)
- (72) Inventor: **Noble Speas**, Germanton, NC (US)
- (\*\*) Term: **15 Years**
- (21) Appl. No.: **29/763,136**
- (22) Filed: **Dec. 21, 2020**

D666,684 S *	9/2012	Meininger	.....	D21/662
D739,036 S *	9/2015	McAviney	.....	D25/119
D763,371 S *	8/2016	Fitzgerald	.....	D21/686
D785,272 S *	4/2017	Merino Casajuana	.....	D34/29
D911,463 S *	2/2021	Roseberry	.....	D21/686
D913,384 S *	3/2021	Thiel	.....	D21/686
D925,670 S *	7/2021	Lee	.....	D21/691

\* cited by examiner

*Primary Examiner* — Michael A Maharajh

(74) *Attorney, Agent, or Firm* — Matthew L. Jamison, Esq.

**Related U.S. Application Data**

- (62) Division of application No. 29/680,369, filed on Feb. 15, 2019, now Pat. No. Des. 910,127.
- (51) **LOC (13) Cl.** ..... **21-02**
- (52) **U.S. Cl.**  
USPC ..... **D21/691**
- (58) **Field of Classification Search**  
USPC ..... D21/686, 688, 691, 694; D24/200, 211, D24/212, 213, 214, 215; D34/28, 29, 32  
CPC .. A63B 21/026; A63B 2230/062; A63B 22/20  
See application file for complete search history.

(57) **CLAIM**

The ornamental design for a portable exercise device, as shown and described.

**DESCRIPTION**

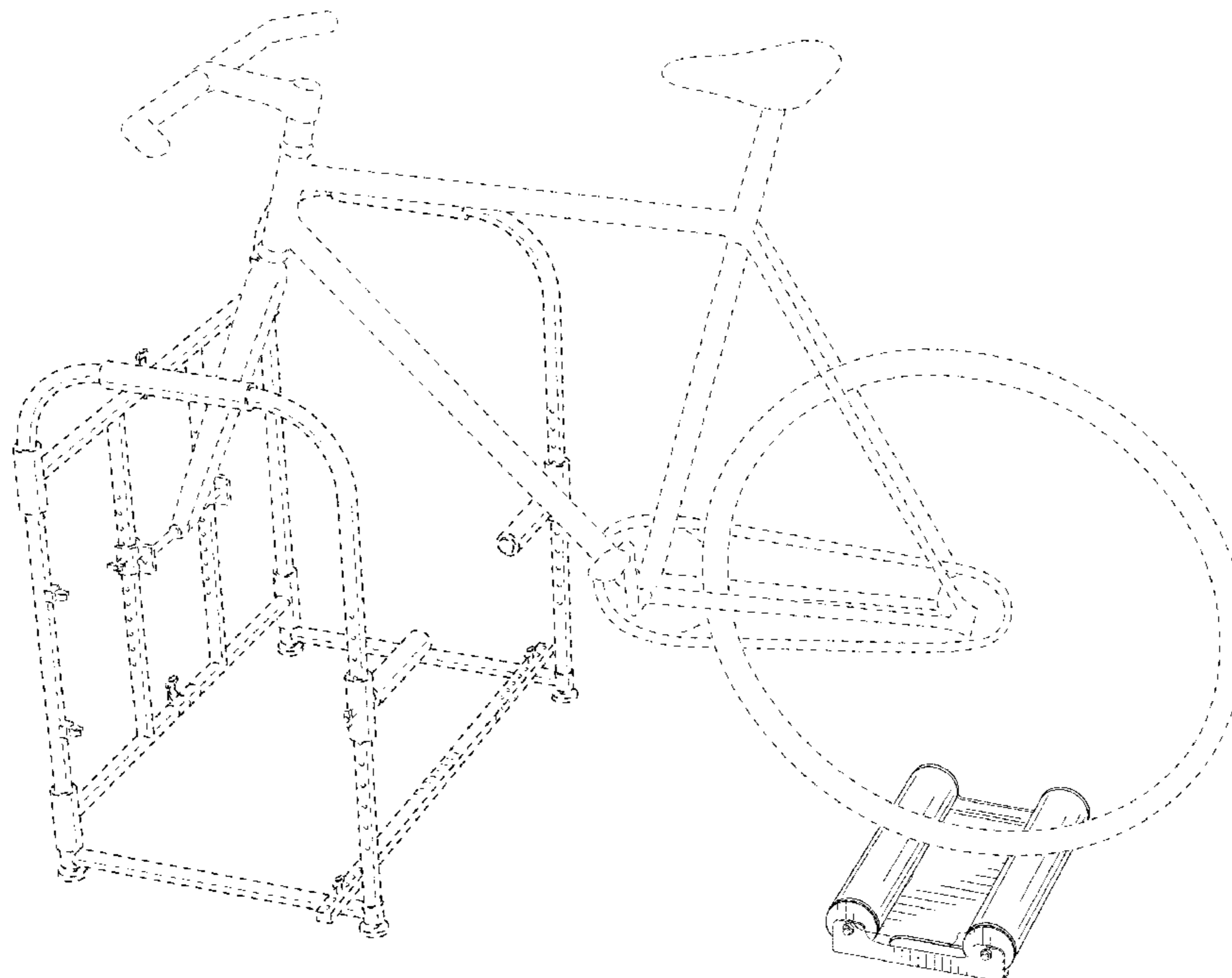
FIG. 1 is a right perspective view of a portable exercise device, showing my new design in a condition of use;  
 FIG. 2 is a front elevation view shown in a condition of use thereof;  
 FIG. 3 is a rear elevation view shown in a condition of use thereof;  
 FIG. 4 is a right elevation view shown in a condition of use thereof;  
 FIG. 5 is a top plan view shown in a condition of use thereof;  
 FIG. 6 is a right perspective view shown at an enlarged scale thereof;  
 FIG. 7 is a top plan view shown at an enlarged scale thereof;  
 FIG. 8 is a bottom view shown at an enlarged scale thereof;  
 and,  
 FIG. 9 is a side view shown at an enlarged scale thereof.  
 The broken lines in the drawings are for the purpose of illustrating environmental structure, which form no part of the claimed design.

(56) **References Cited**

**U.S. PATENT DOCUMENTS**

3,759,250 A *	9/1973	Salata	.....	A61H 15/00 601/133
D242,826 S *	12/1976	Posh	.....	D24/212
D248,826 S *	8/1978	Lehtola	.....	D8/499
D255,130 S *	5/1980	Balzano	.....	482/145
D396,111 S *	7/1998	Chien	.....	D24/211
D418,227 S *	12/1999	O'Connor	.....	D24/212
D432,603 S *	10/2000	Bullard, Jr.	.....	D21/662
D479,289 S *	9/2003	Turner	.....	D21/662
D516,268 S *	2/2006	Gaster	.....	D34/32
D643,331 S *	8/2011	Gay	.....	D11/211

**1 Claim, 9 Drawing Sheets**



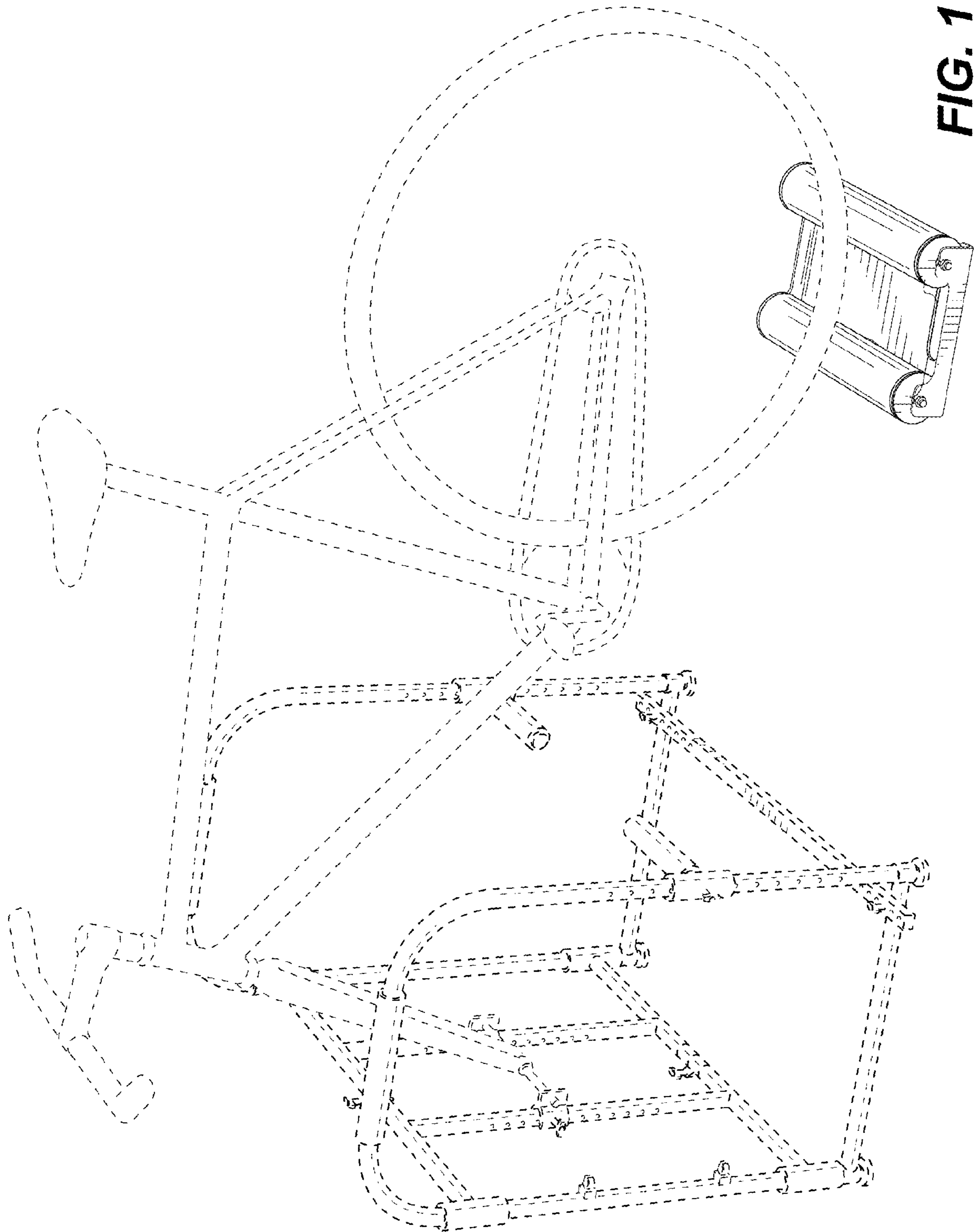


FIG. 1

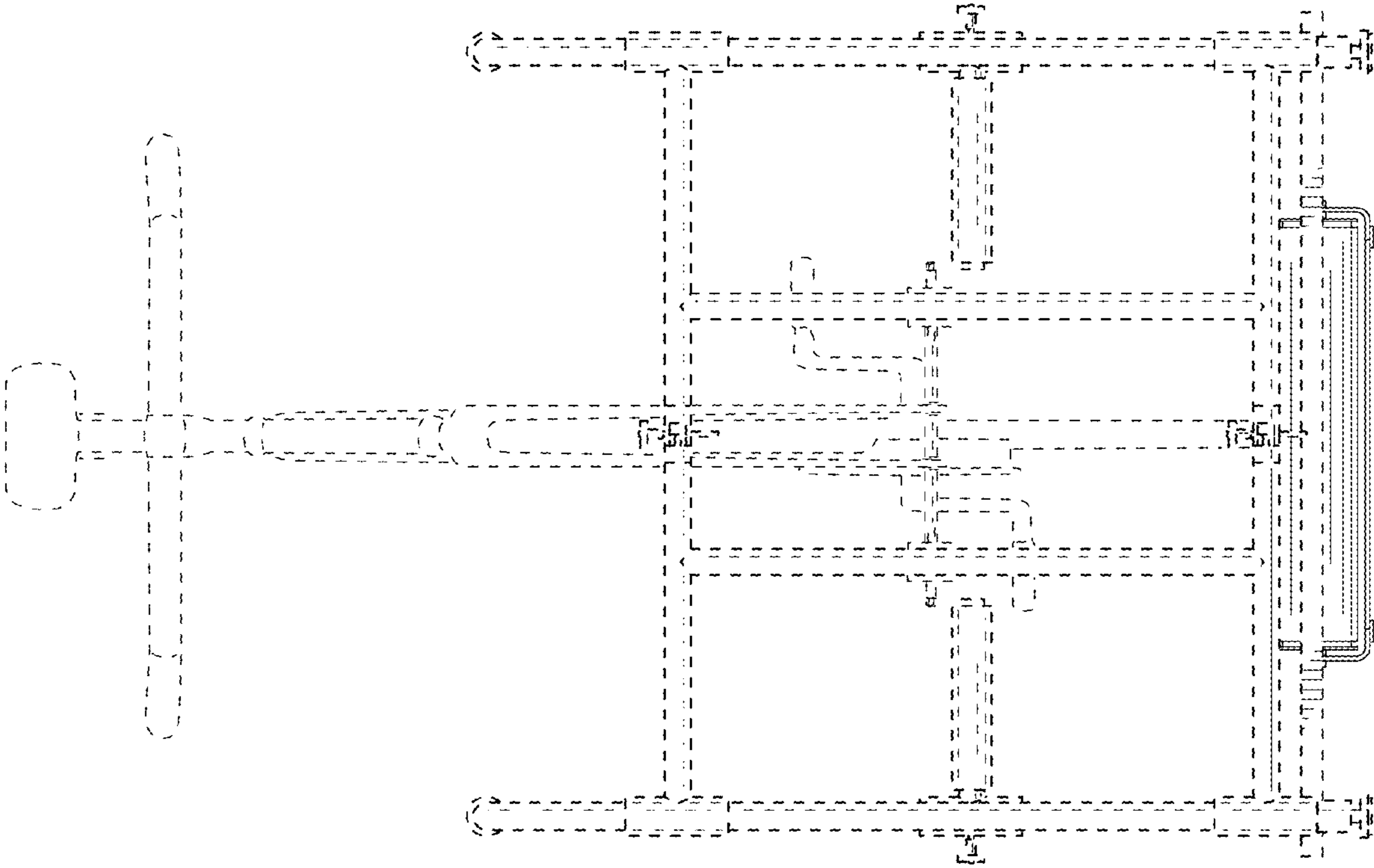


FIG. 2

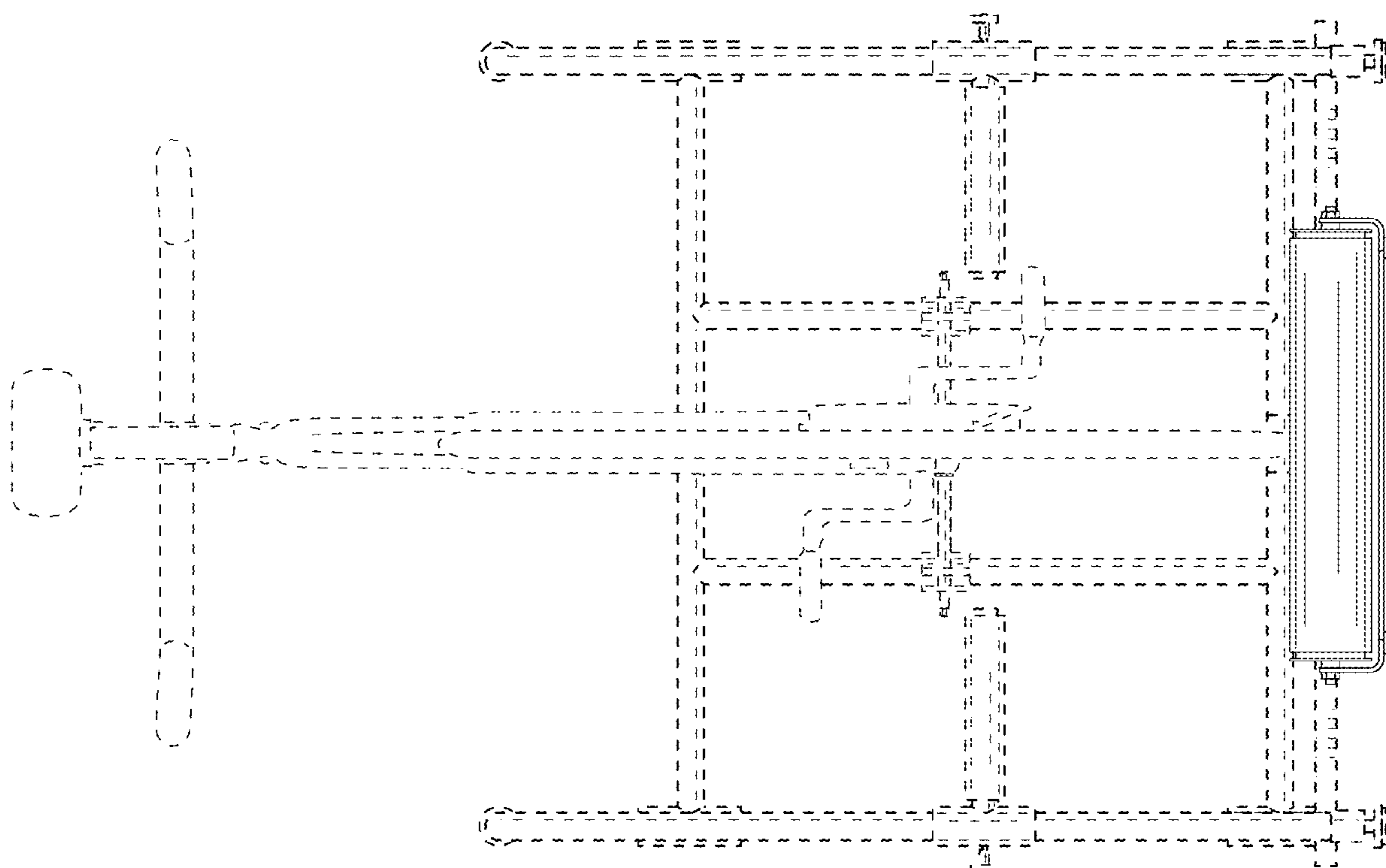
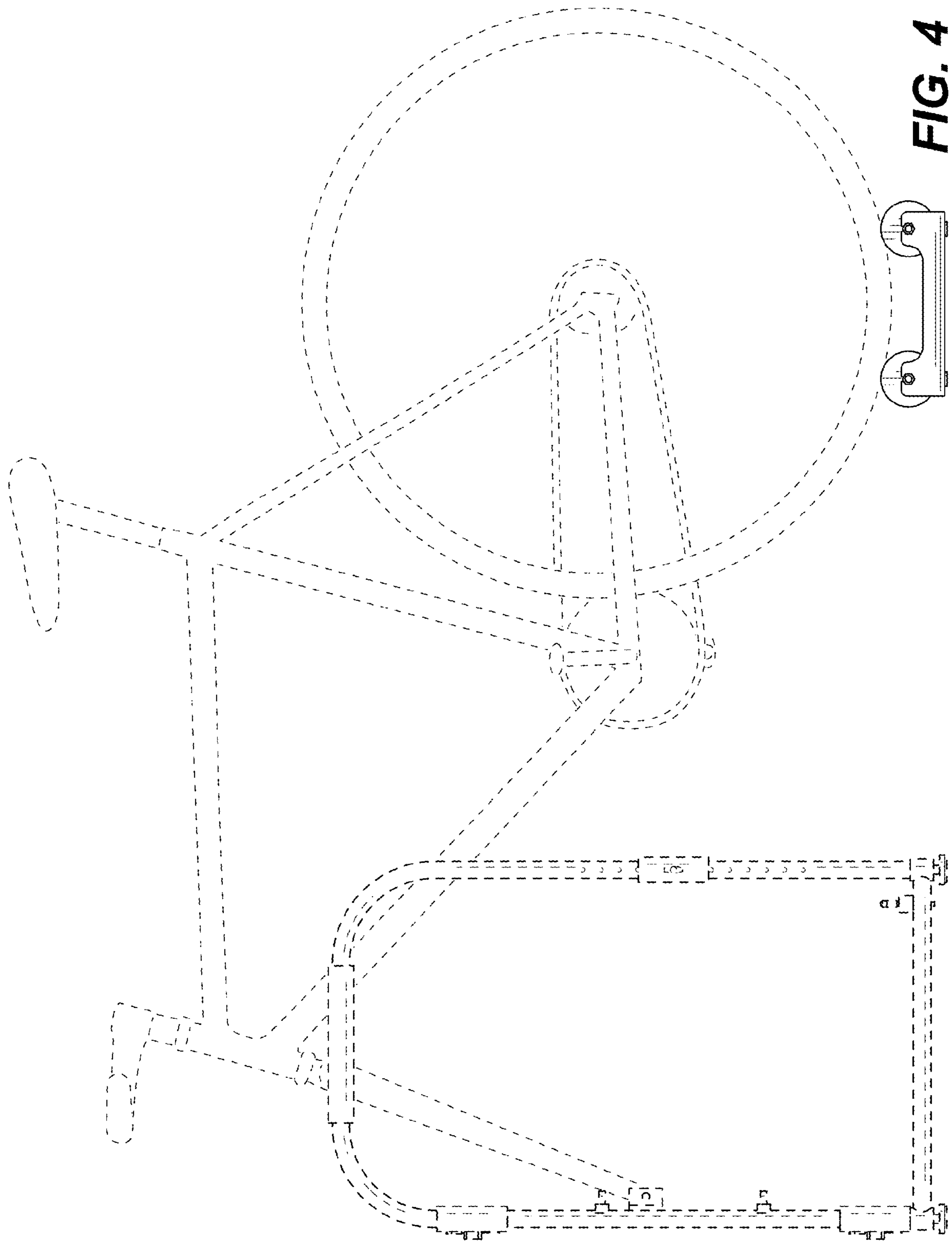
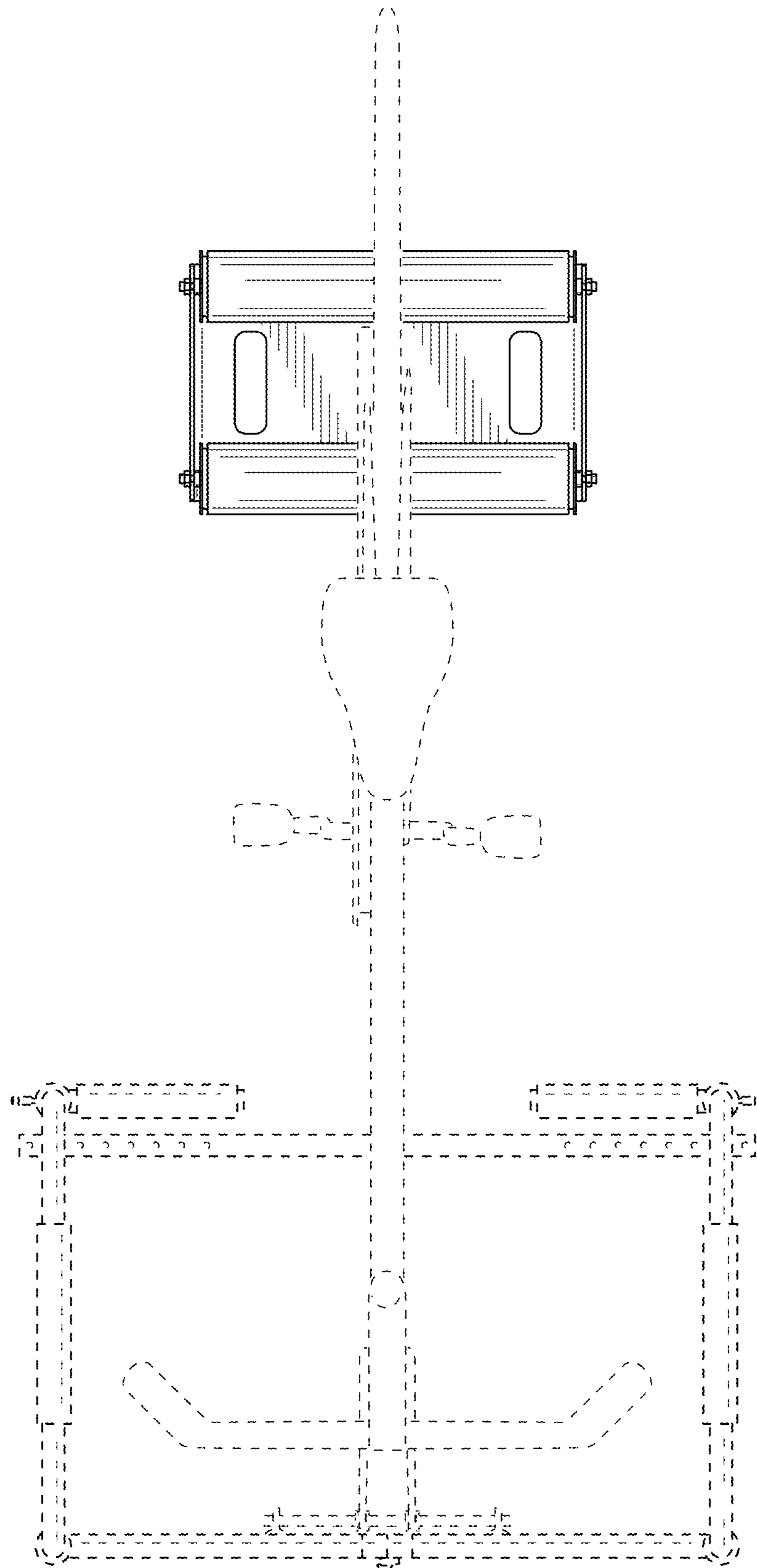


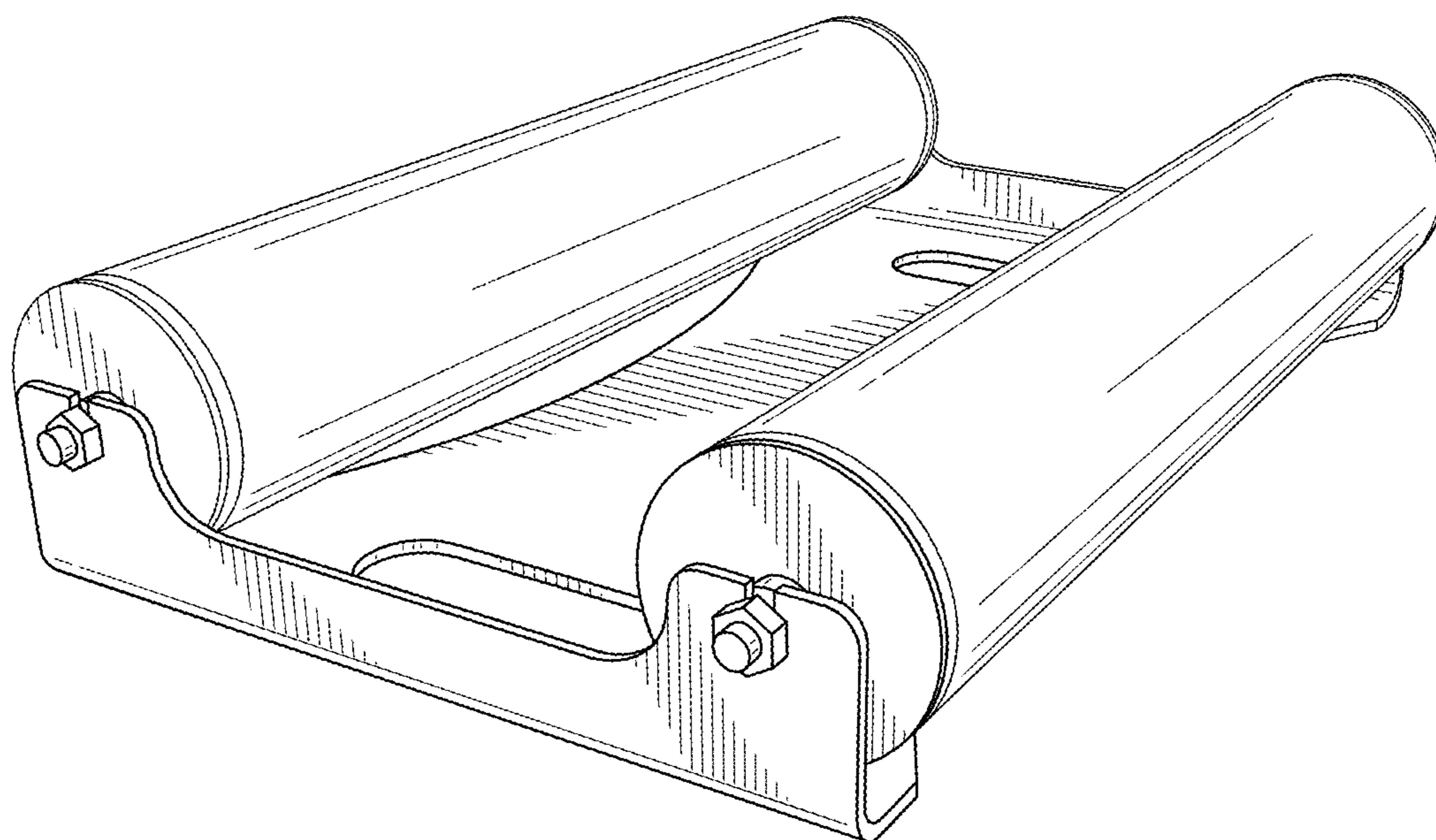
FIG. 3



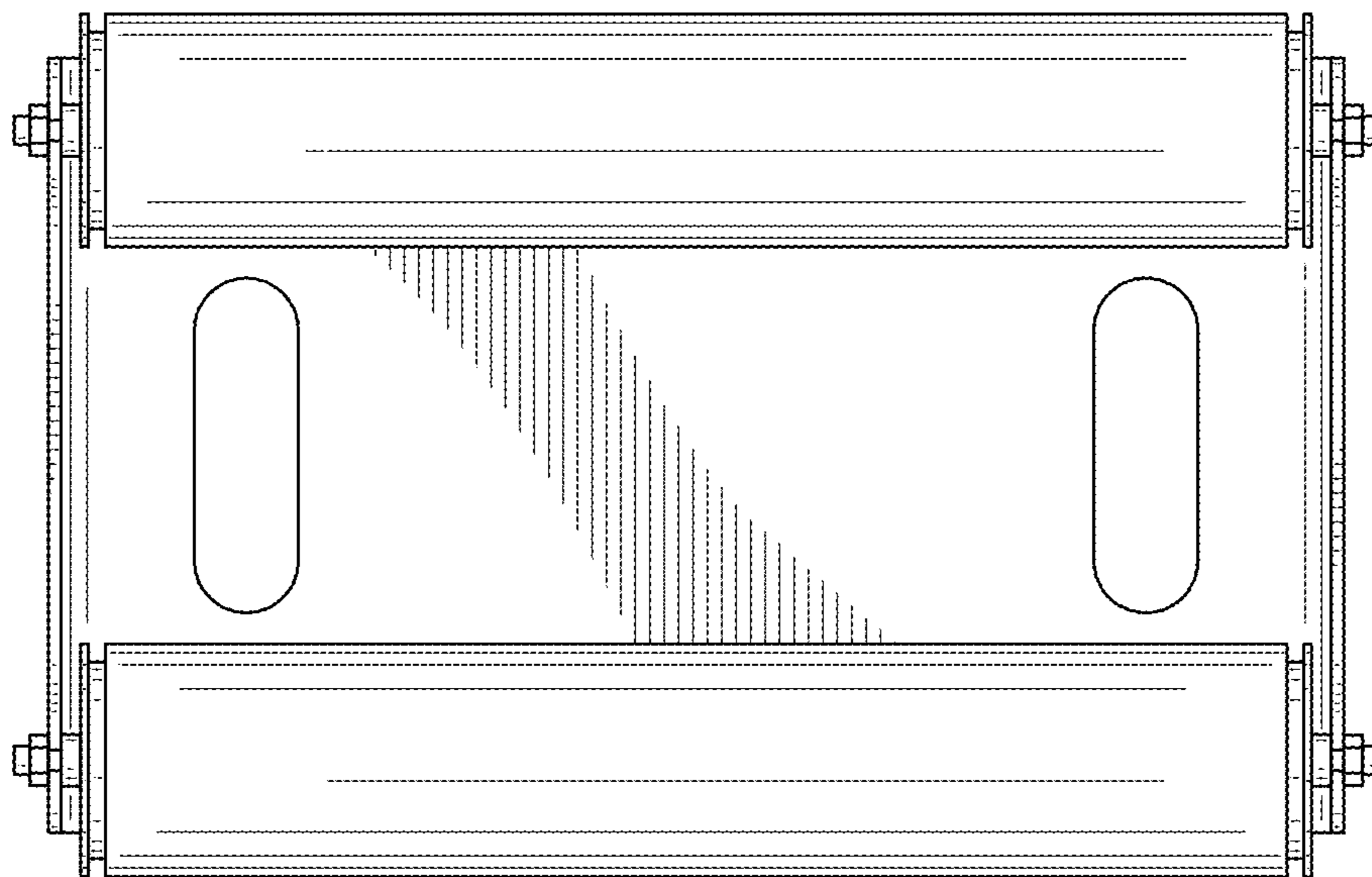
**FIG. 4**



**FIG. 5**

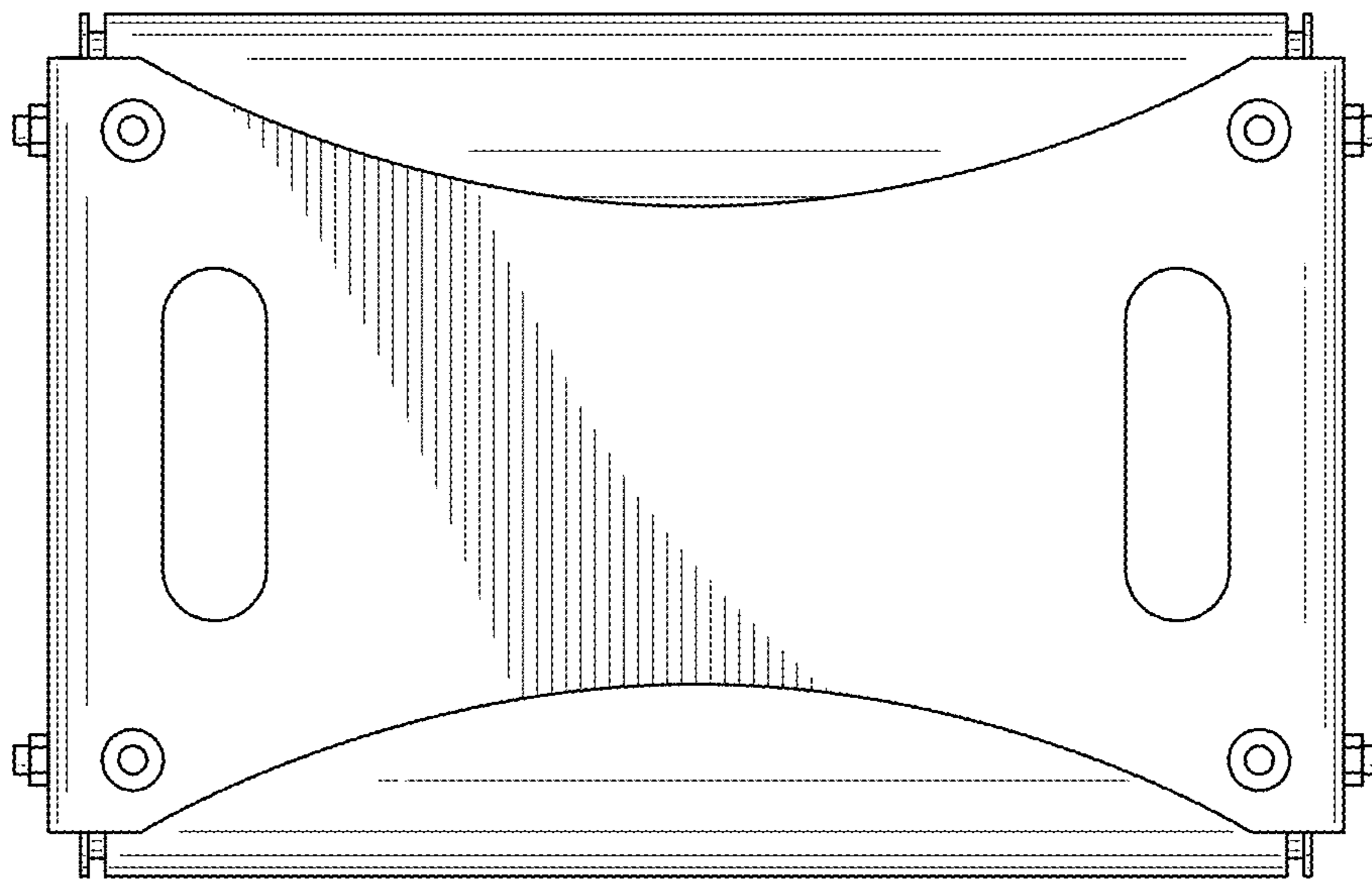


**FIG. 6**

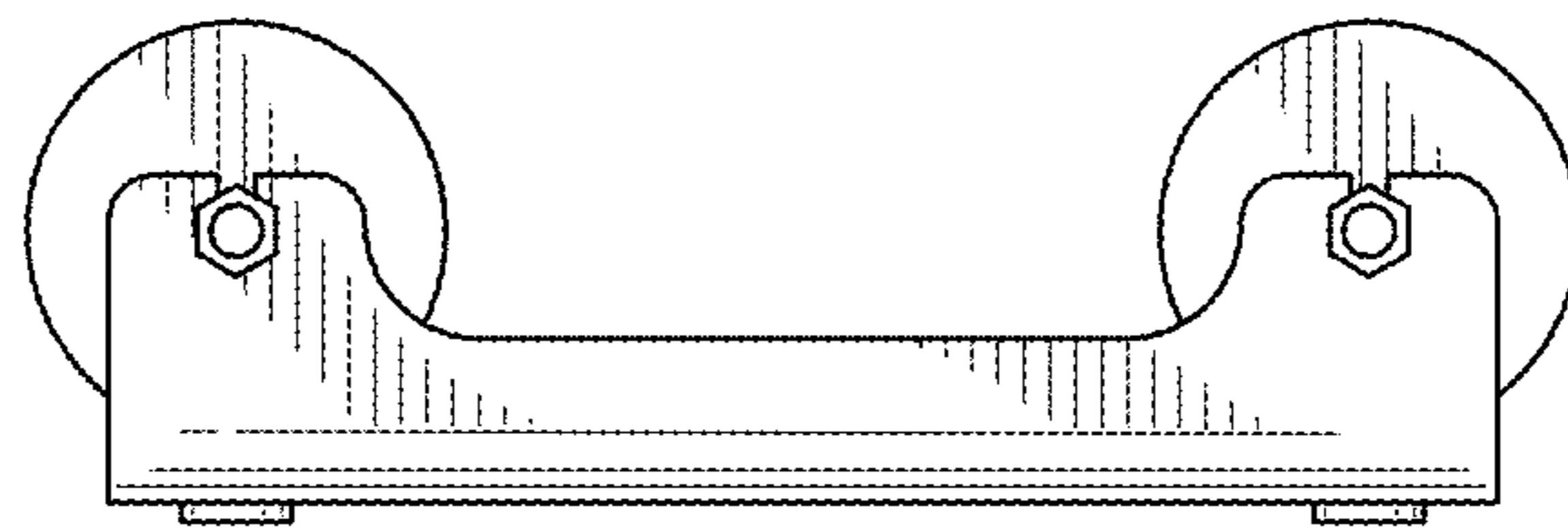


**FIG. 7**





**FIG. 8**



**FIG. 9**