



US00D965710S

(12) **United States Design Patent** (10) **Patent No.:** **US D965,710 S**  
**Xu** (45) **Date of Patent:** **\*\* Oct. 4, 2022**

(54) **SPORTS EQUIPMENT HANDLE GRIP**

(71) Applicant: **Ting Xu**, Zhejiang (CN)

(72) Inventor: **Ting Xu**, Zhejiang (CN)

(\*\*) Term: **15 Years**

(21) Appl. No.: **29/807,392**

(22) Filed: **Sep. 10, 2021**

(51) **LOC (13) Cl.** ..... **21-02**

(52) **U.S. Cl.**  
USPC ..... **D21/682**

(58) **Field of Classification Search**  
USPC ..... D21/680, 681, 682, 692, 694, 677, 662  
See application file for complete search history.

(56) **References Cited**

**U.S. PATENT DOCUMENTS**

D322,827 S *	12/1991	Bennstrom	.....	D21/684
D350,584 S	9/1994	Jacobs		
5,904,640 A *	5/1999	Shahinian	.....	A63B 21/0004 482/110
6,080,092 A *	6/2000	Cercone	.....	H01L 21/6704 492/30
D463,952 S *	10/2002	Zemel	.....	D7/395
D588,405 S *	3/2009	Libman	.....	D7/395
7,731,640 B1 *	6/2010	Chen	.....	A63B 21/075 482/93
D637,244 S *	5/2011	Davis	.....	D21/662
D655,355 S *	3/2012	Hsu	.....	D21/679
D669,142 S *	10/2012	Mattern	.....	D21/680
D805,649 S *	12/2017	Mizelle	.....	D24/211
9,901,771 B1 *	2/2018	Silver	.....	A63B 71/00
D812,700 S *	3/2018	Silver	.....	D21/694
D822,772 S *	7/2018	Jorgenson	.....	D24/211

D829,920 S *	10/2018	Carpinelli	.....	D24/211
D899,888 S	10/2020	Xu		
D929,205 S	8/2021	Lessard		
2003/0104909 A1 *	6/2003	Teran	.....	A63B 21/00047 482/141

**FOREIGN PATENT DOCUMENTS**

CN 306392693 S 3/2021

\* cited by examiner

*Primary Examiner* — Khawaja Anwar

*Assistant Examiner* — Julice Seung Eun Oum

(74) *Attorney, Agent, or Firm* — ScienBiziP, P.C.

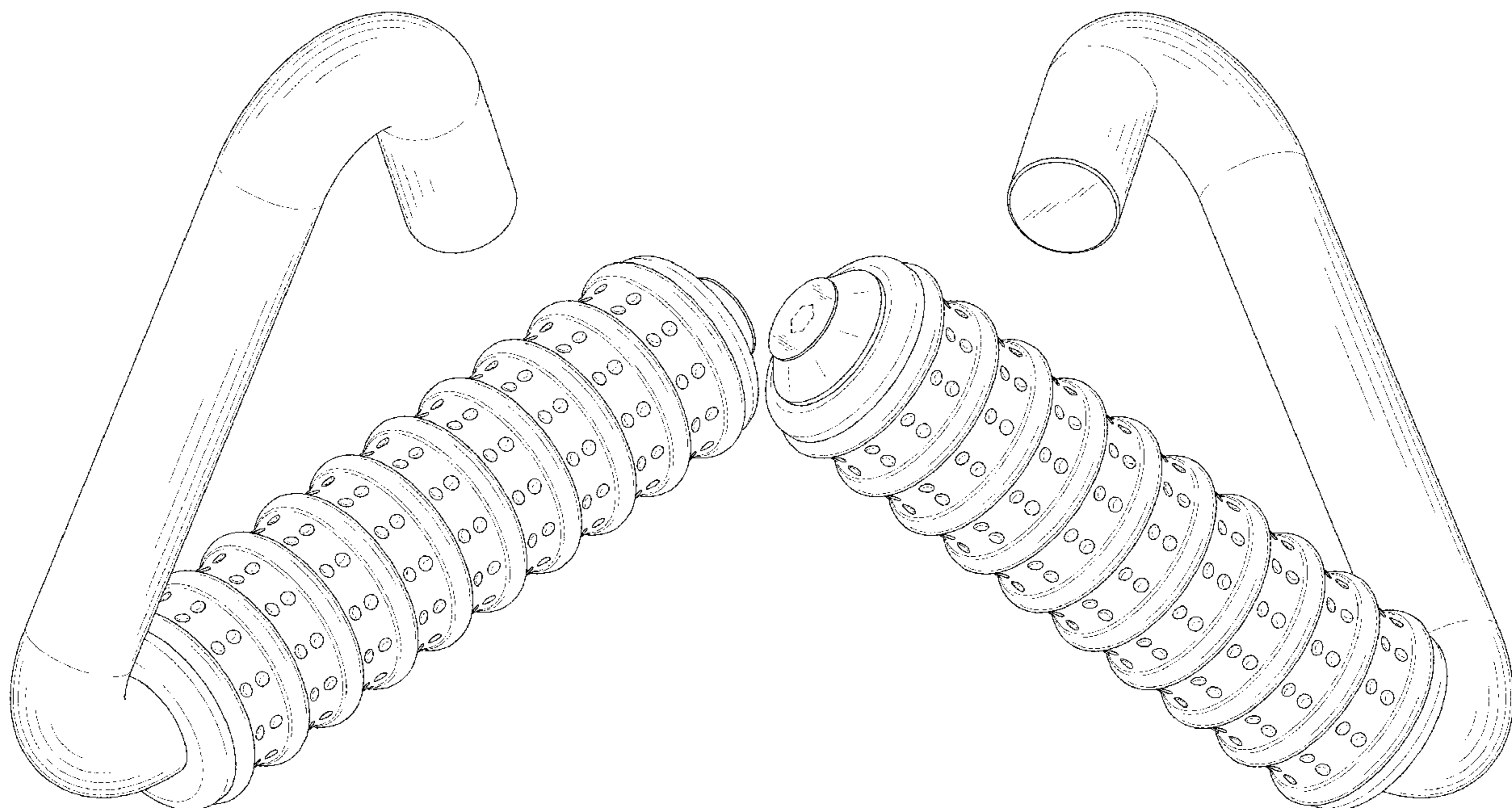
(57) **CLAIM**

The ornamental design for a sports equipment handle grip, as shown and described.

**DESCRIPTION**

FIG. 1 is a front, left, and top perspective view of a sports equipment handle grip, showing my design.  
FIG. 2 is a rear, right, and bottom perspective view thereof.  
FIG. 3 is a front elevation view thereof.  
FIG. 4 is a rear elevation view thereof.  
FIG. 5 is a right side elevation view thereof.  
FIG. 6 is a left elevation view thereof.  
FIG. 7 is a top plan view thereof; and,  
FIG. 8 is a bottom plan view thereof.  
The broken lines shown in the drawings are included for the purpose of illustrating portions of the sports equipment handle grip that form no part of the claimed design.

**1 Claim, 8 Drawing Sheets**



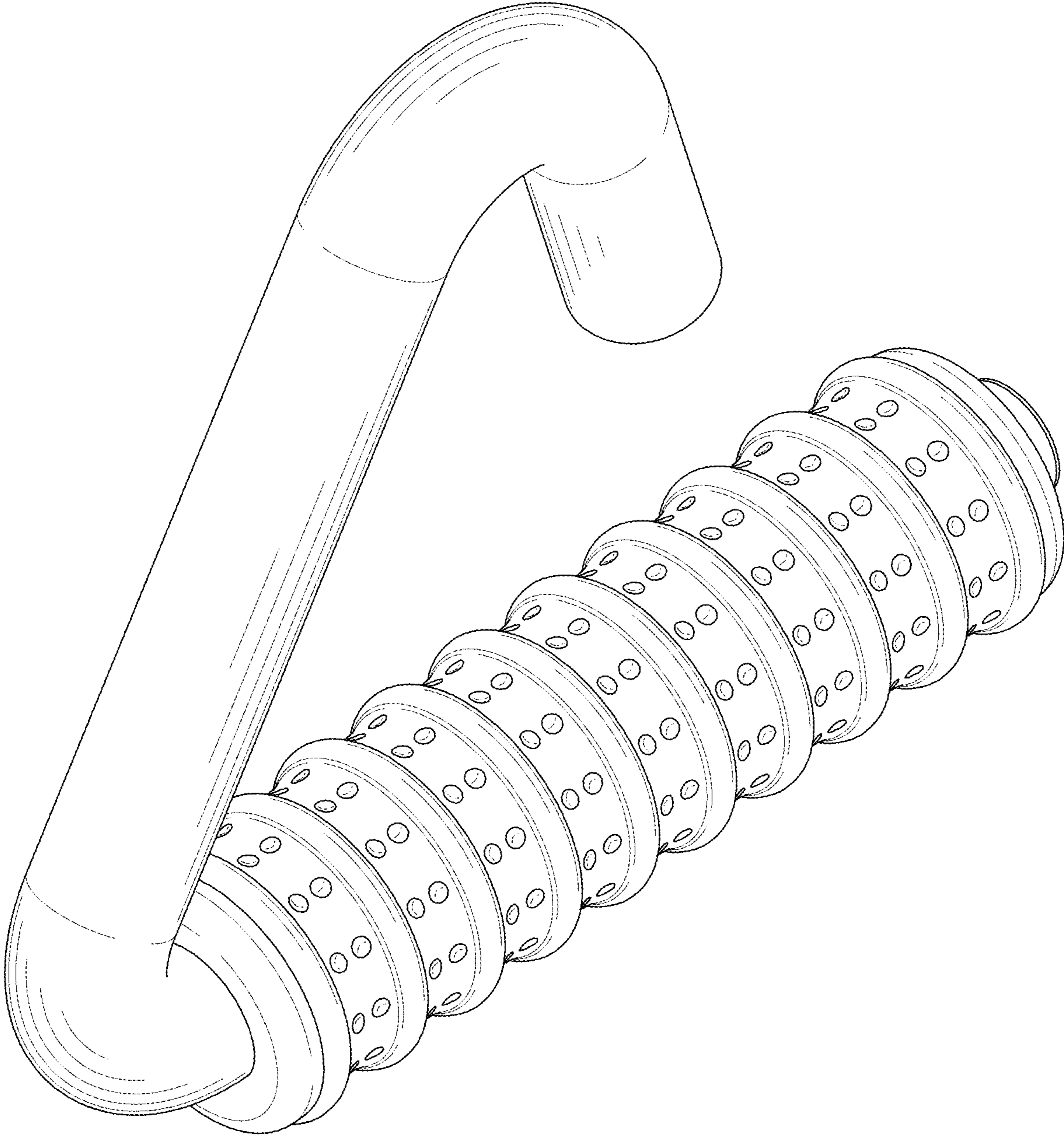


FIG. 1

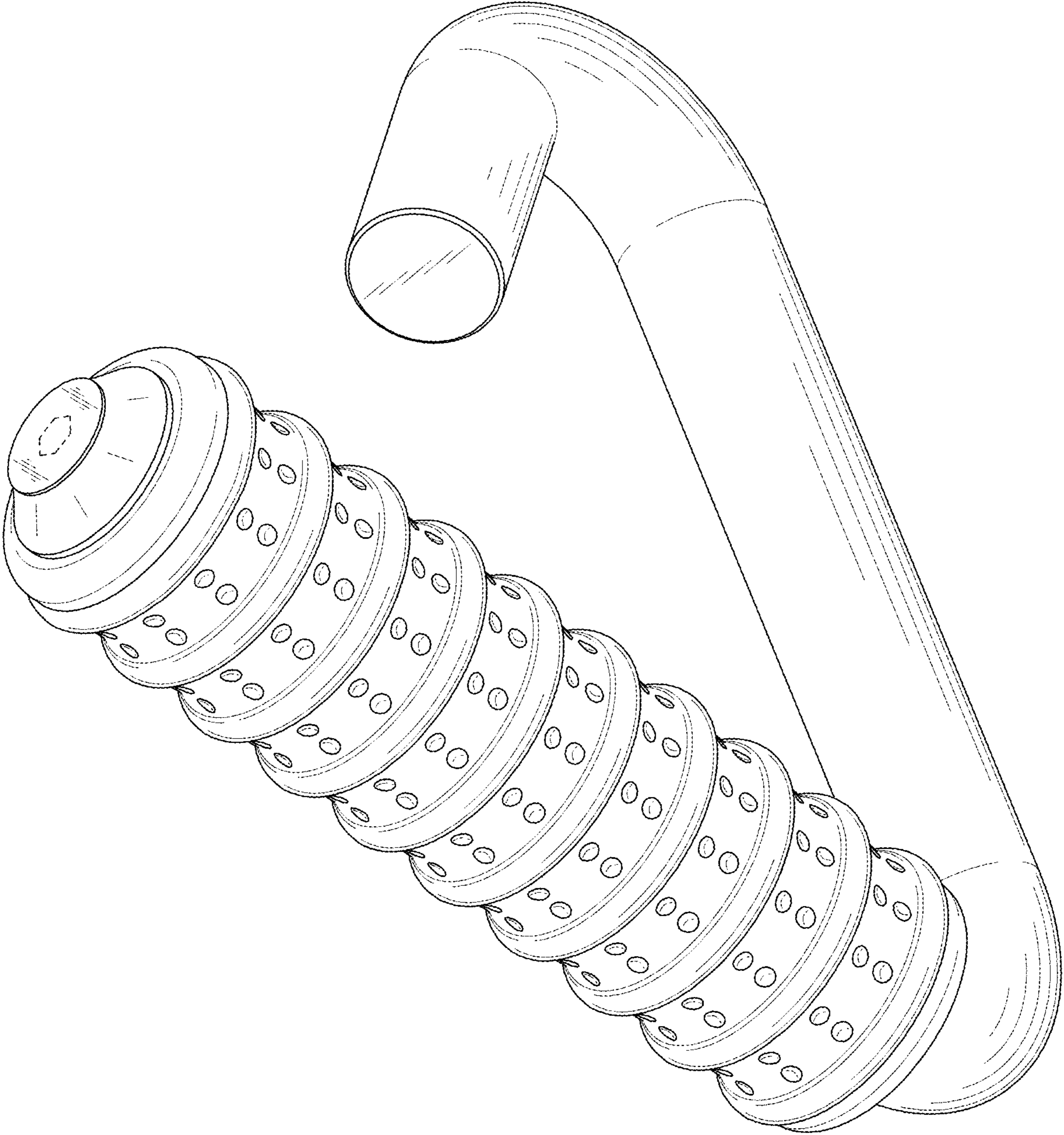


FIG. 2

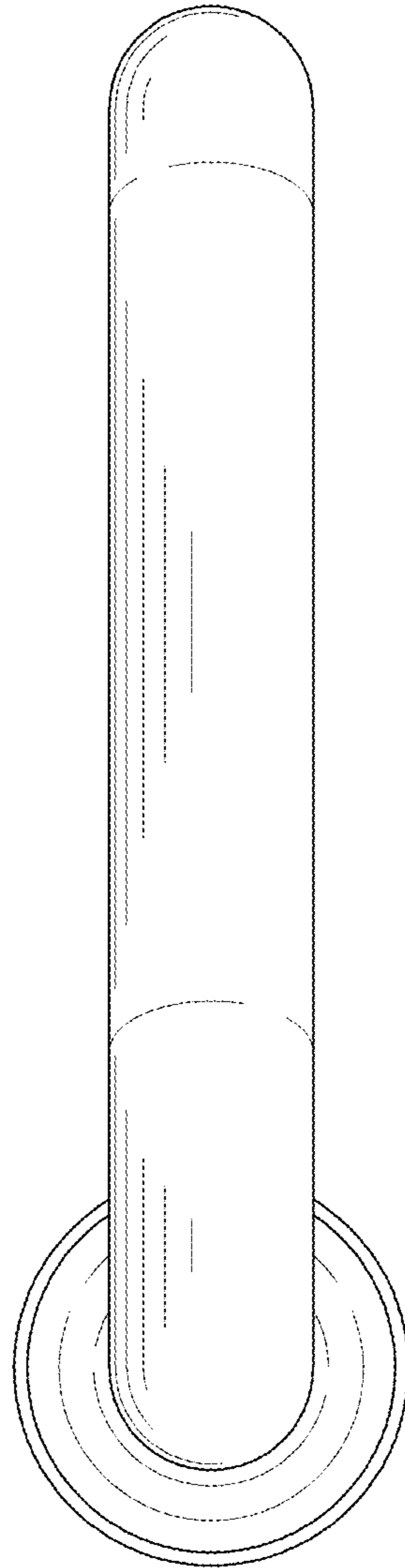


FIG. 3

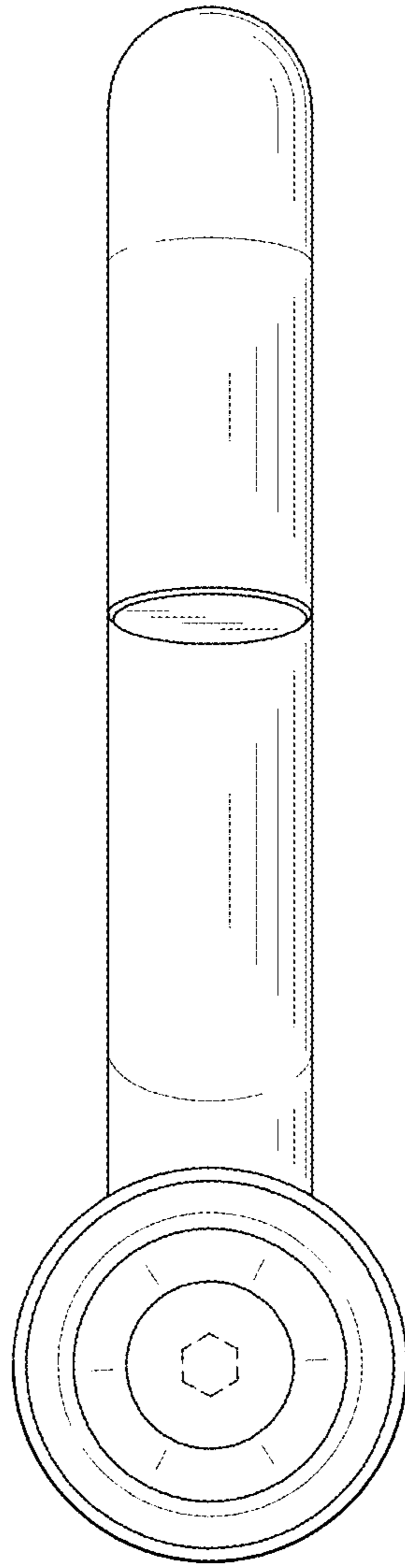


FIG. 4

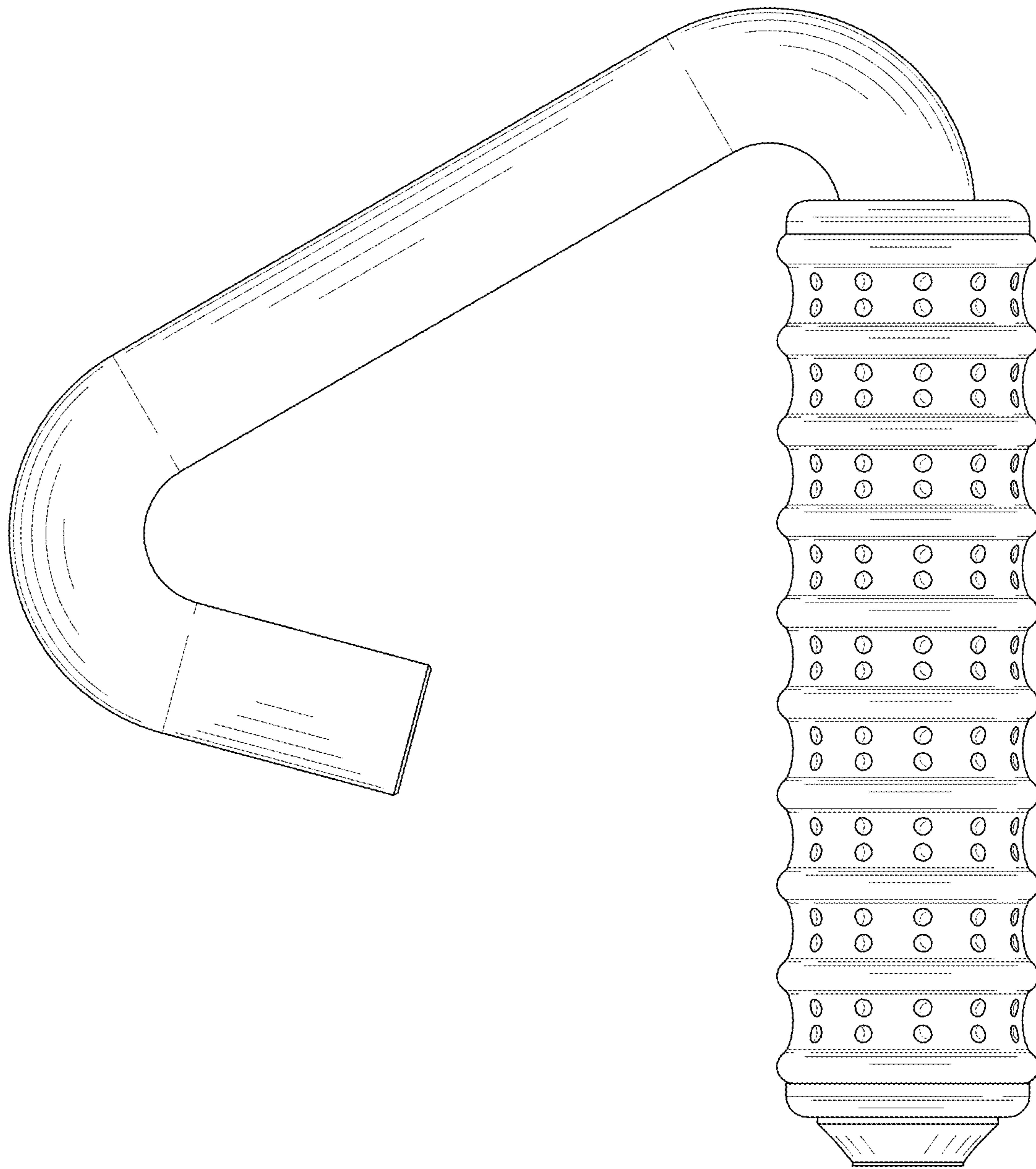


FIG. 5

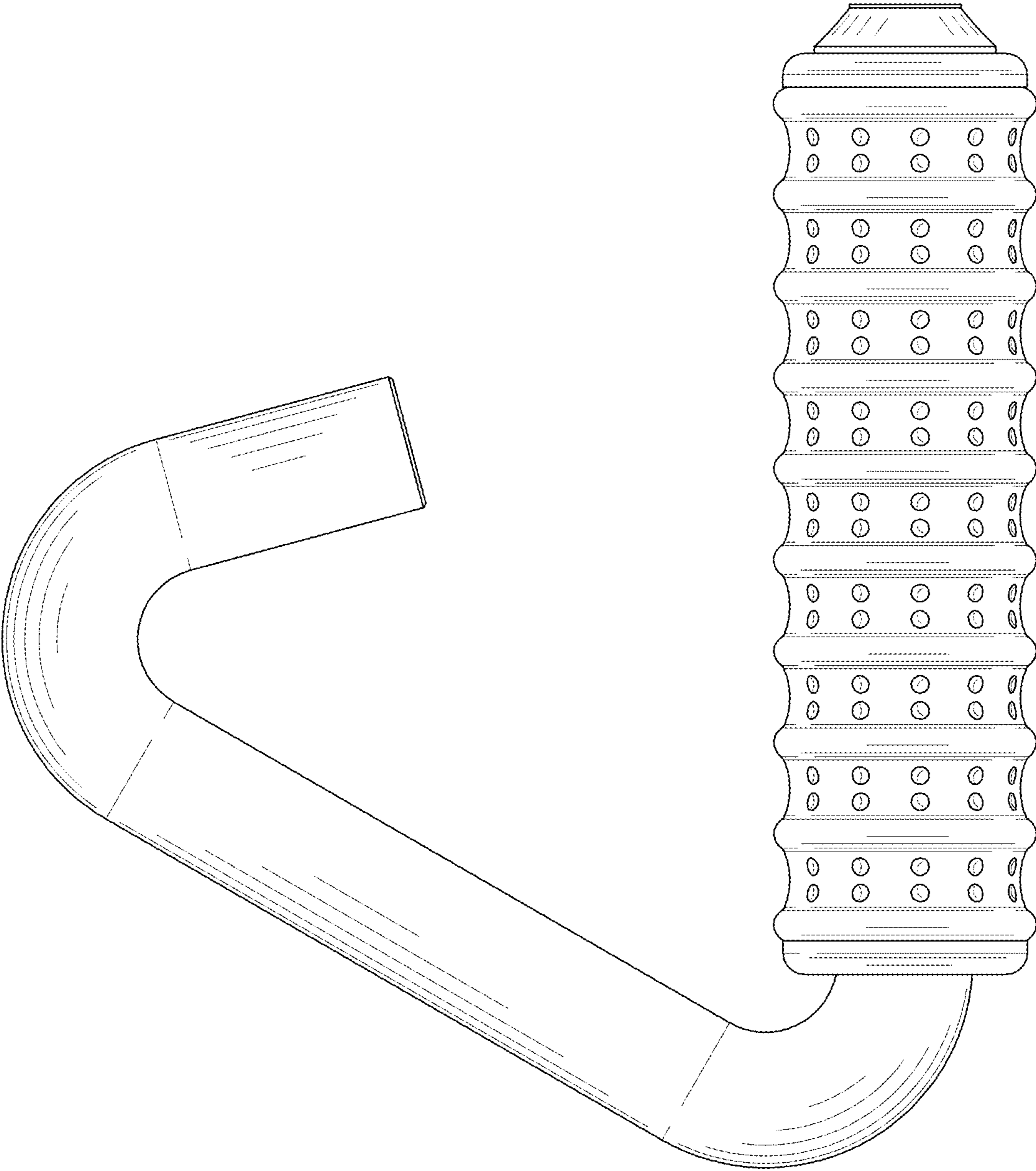


FIG. 6

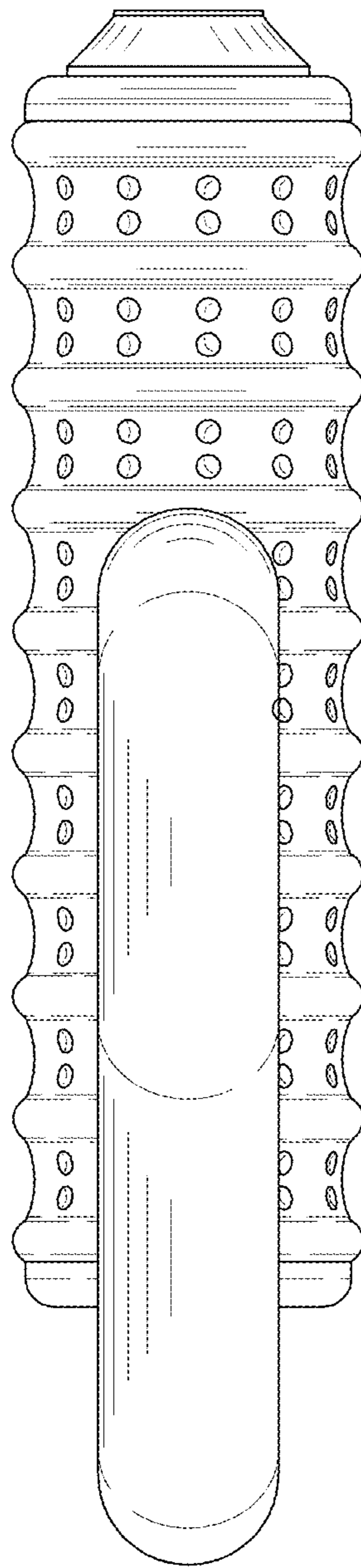


FIG. 7



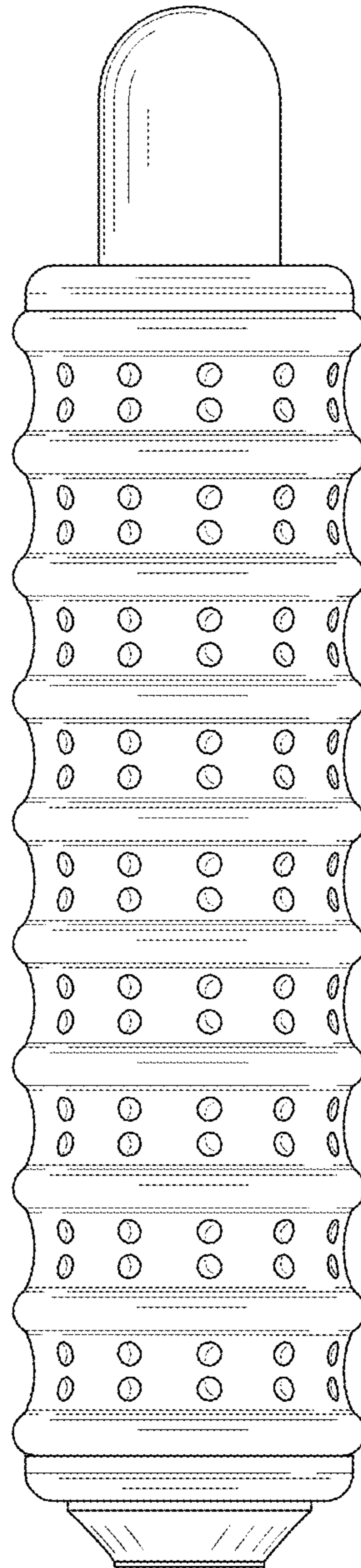


FIG. 8