



US00D965709S

(12) **United States Design Patent**
Weng

(10) **Patent No.:** **US D965,709 S**
(45) **Date of Patent:** **** Oct. 4, 2022**

(54) **DUMBBELL SET WITH RACK**

(71) Applicant: **Gaowang Weng**, Yongkang (CN)

(72) Inventor: **Gaowang Weng**, Yongkang (CN)

(**) Term: **15 Years**

(21) Appl. No.: **29/749,271**

(22) Filed: **Sep. 3, 2020**

(30) **Foreign Application Priority Data**

Aug. 25, 2020 (CN) 202030490036.9

(51) **LOC (13) Cl.** **21-02**

(52) **U.S. Cl.**
USPC **D21/681**

(58) **Field of Classification Search**
USPC D6/552; D21/662, 667-682, 685, 686,
D21/692, 694
CPC A63B 2220/12; A63B 21/062; A63B
2220/13; A63B 69/3632; A63B 21/075;
A63B 21/063; A63B 21/0628; A63B
21/0724

See application file for complete search history.

(56) **References Cited**

U.S. PATENT DOCUMENTS

D528,173	S	*	9/2006	Flick	D6/552
D610,636	S	*	2/2010	Golesh	D21/681
D639,358	S	*	6/2011	Rauwerdink	D21/681
D639,359	S	*	6/2011	Rauwerdink	D6/552
D643,481	S	*	8/2011	Rauwerdink	D21/681
D737,907	S	*	9/2015	Flick	D21/681
D753,247	S	*	4/2016	Flick	D21/681
D799,980	S	*	10/2017	Michan Chavez	D9/600
11,167,167	B1	*	11/2021	Weng	A63B 21/0726
11,285,354	B1	*	3/2022	Tseng	A63B 21/0726
2020/0330813	A1	*	10/2020	Liu	A63B 21/075
2020/0376320	A1	*	12/2020	Wang	A63B 21/0726
2022/0047908	A1	*	2/2022	Weng	A63B 21/0726

FOREIGN PATENT DOCUMENTS

CN 304118690 * 4/2017

OTHER PUBLICATIONS

AOTOB 25/55 lbs Adjustable Dumbbells, first available Sep. 28, 2021, amazon.com [online], site visited [Mar. 29, 2022], Available from internet URL:https://amzn.to/3DkFTtx (Year: 2021).*
“Bayou Fitness Adjustable Dumbbell” Jan. 23, 2007, Amazon, site visited Jun. 14, 2022: https://amzn.to/3tv4oM7 (Year: 2007).*
“ACCPO Adjustable Dumbbells Set” Dec. 9, 2021, Amazon, site visited Jun. 14, 2022: https://amzn.to/3xMZnAW (Year: 2021).*
“Bowflex Dumbbell Review” Jul. 23, 2019, Youtube, site visited Jun. 14, 2022: https://www.youtube.com/watch?v=G82oAaiWQ11 (Year: 2019).*

* cited by examiner

Primary Examiner — Jack Reickel

Assistant Examiner — Salamah Jordan

(74) *Attorney, Agent, or Firm* — Jeenam Park

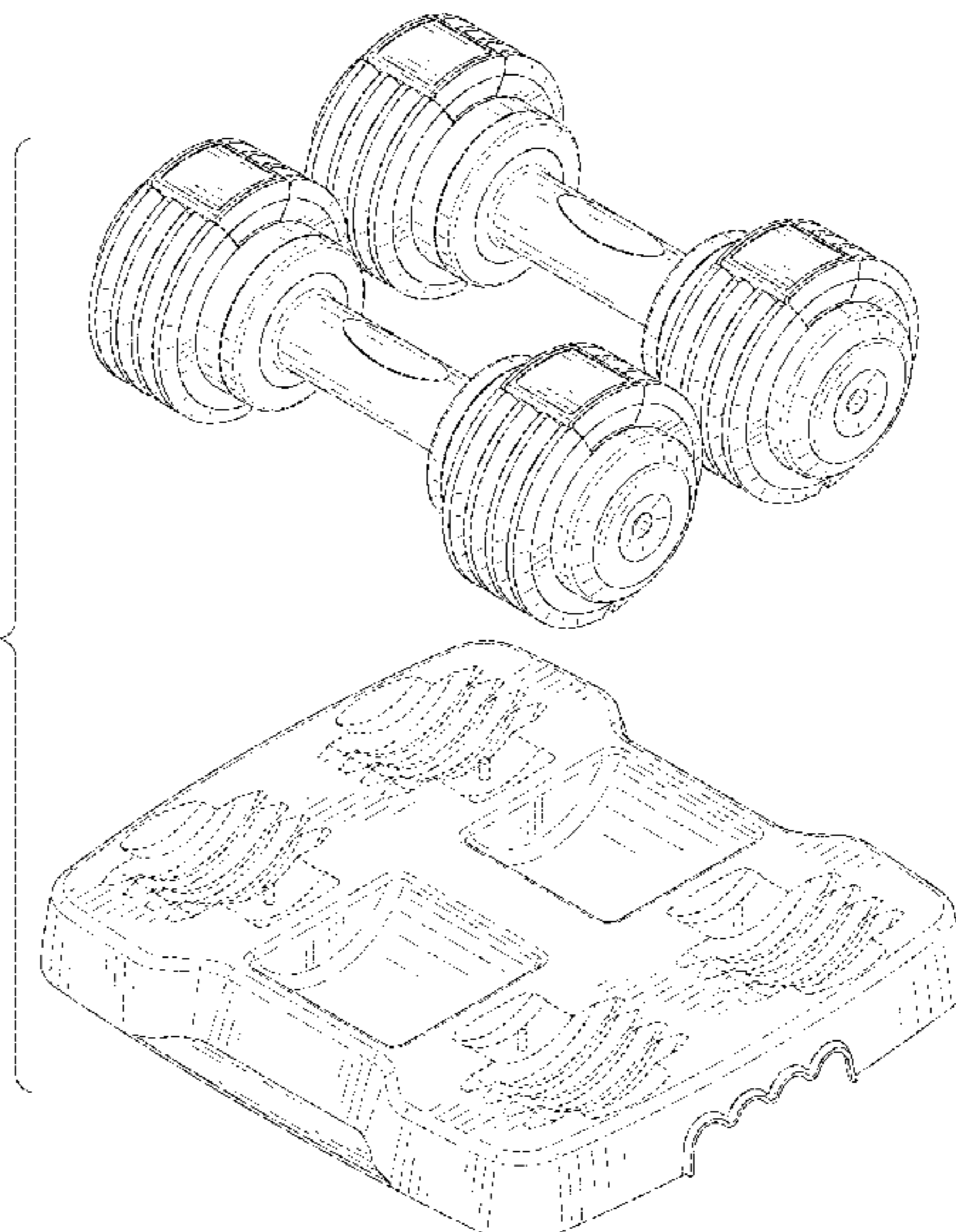
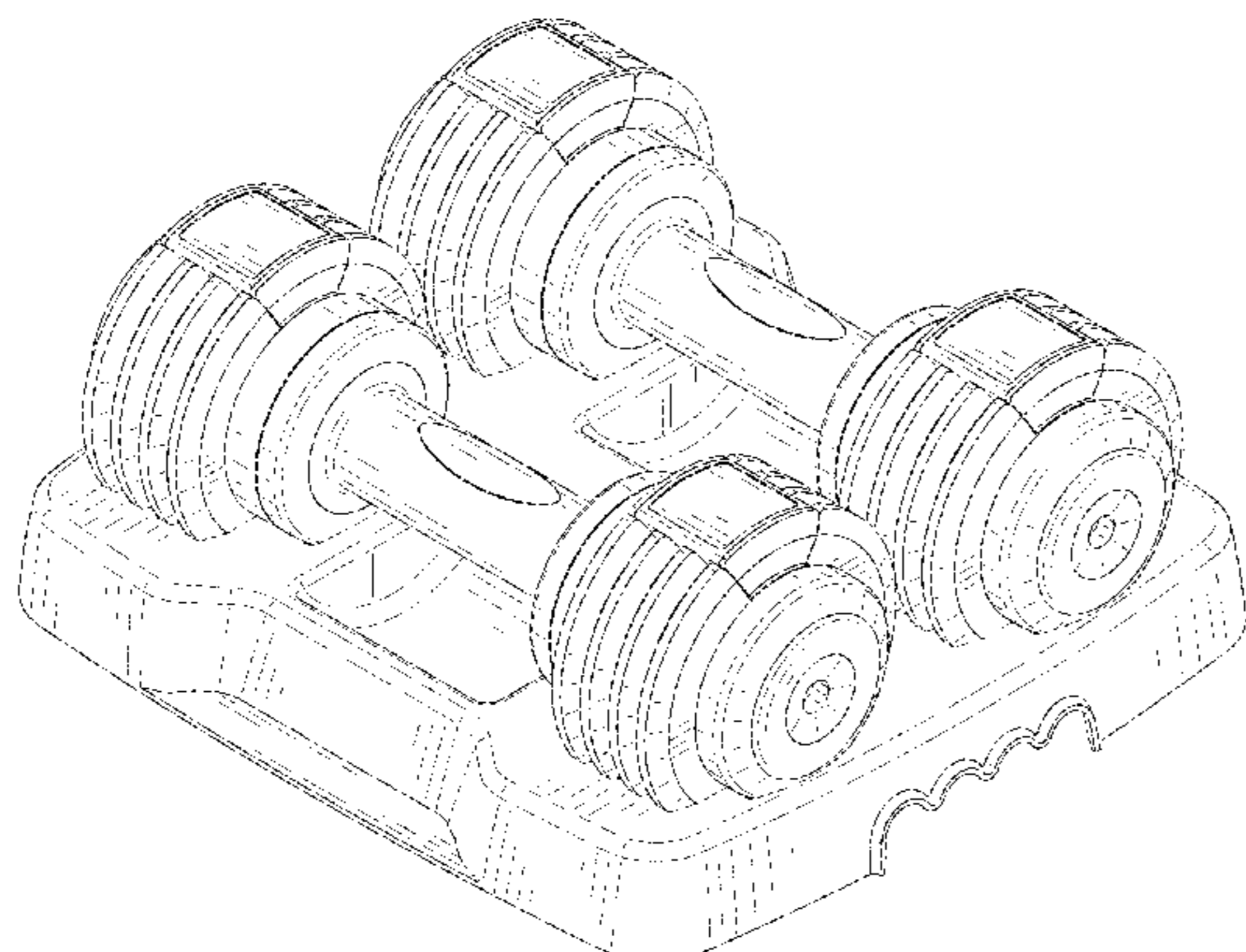
(57) **CLAIM**

The ornamental design for a dumbbell set with rack, as shown and described.

DESCRIPTION

FIG. 1 is a perspective view of a dumbbell set with rack showing my new design;
FIG. 2 is a front view thereof;
FIG. 3 is a rear view thereof;
FIG. 4 is a left side view thereof;
FIG. 5 is a right side view thereof;
FIG. 6 is a top plan view thereof;
FIG. 7 is a bottom plan view thereof; and,
FIG. 8 is an exploded view thereof.
The broken lines in the figures depict portions of the dumbbell set with rack that form no part of the claimed design.

1 Claim, 8 Drawing Sheets



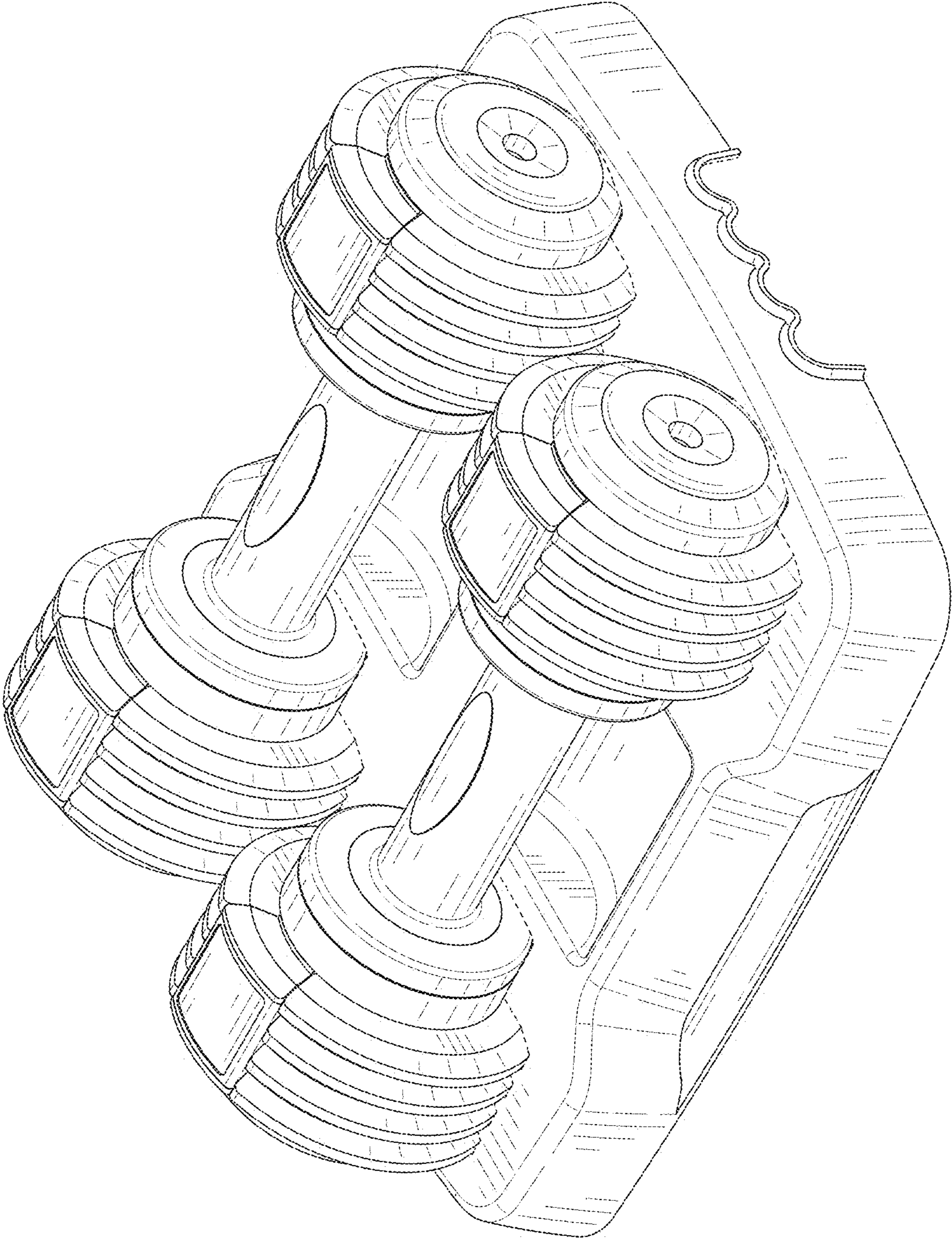


FIG. 1

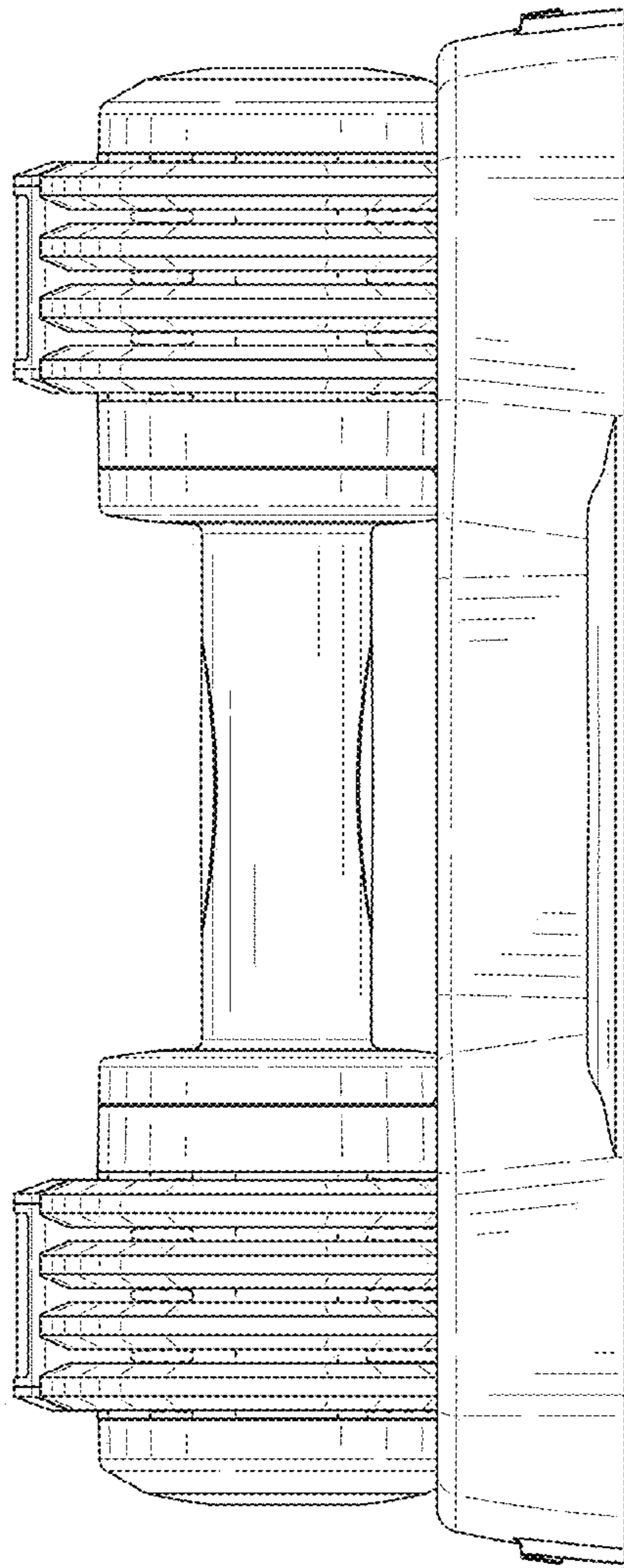


FIG. 2

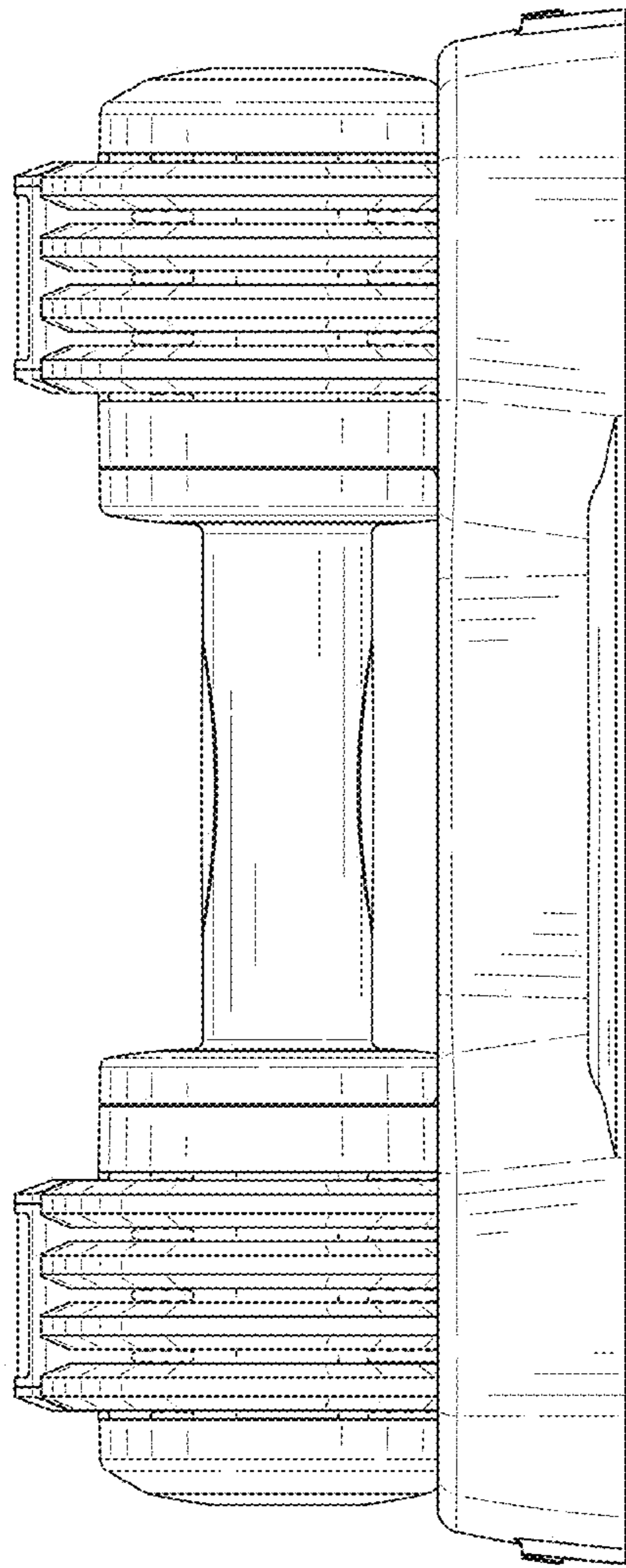


FIG. 3

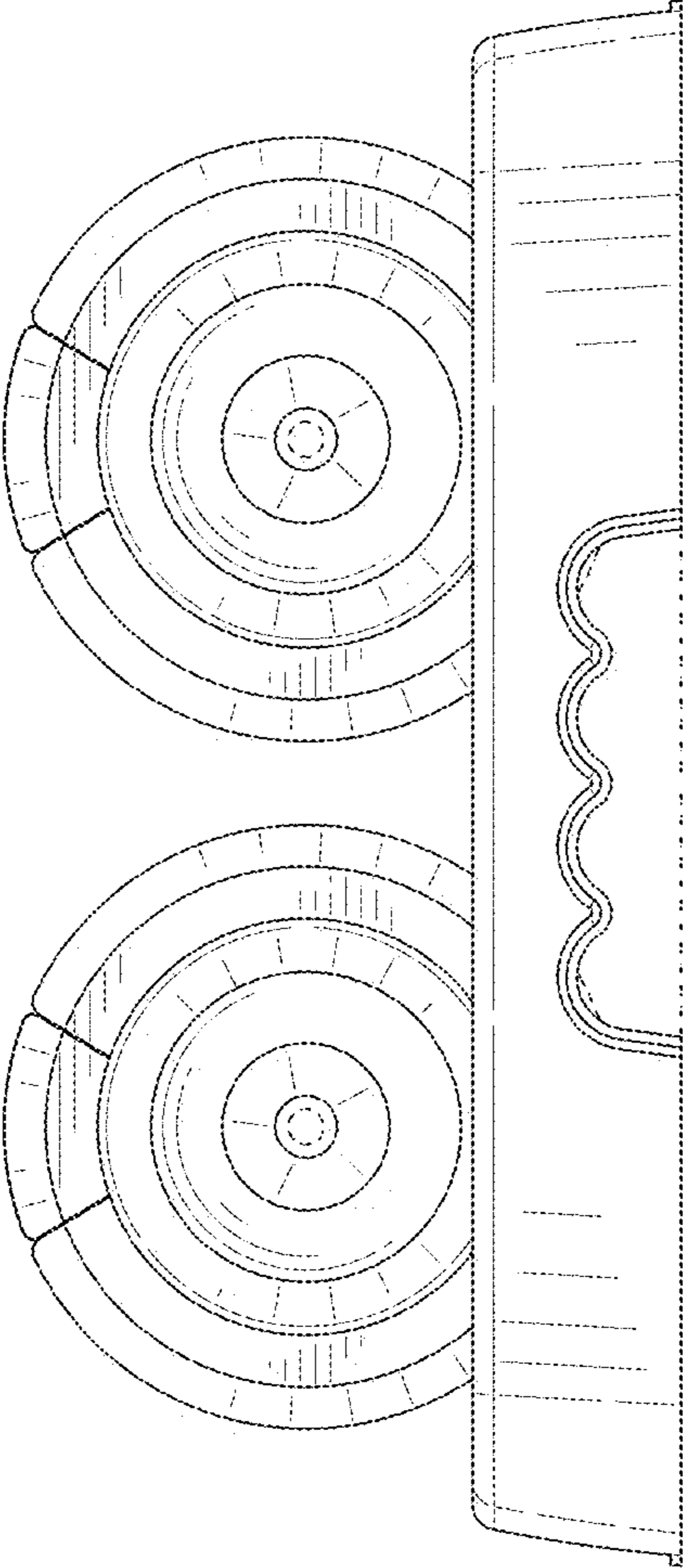


FIG. 4

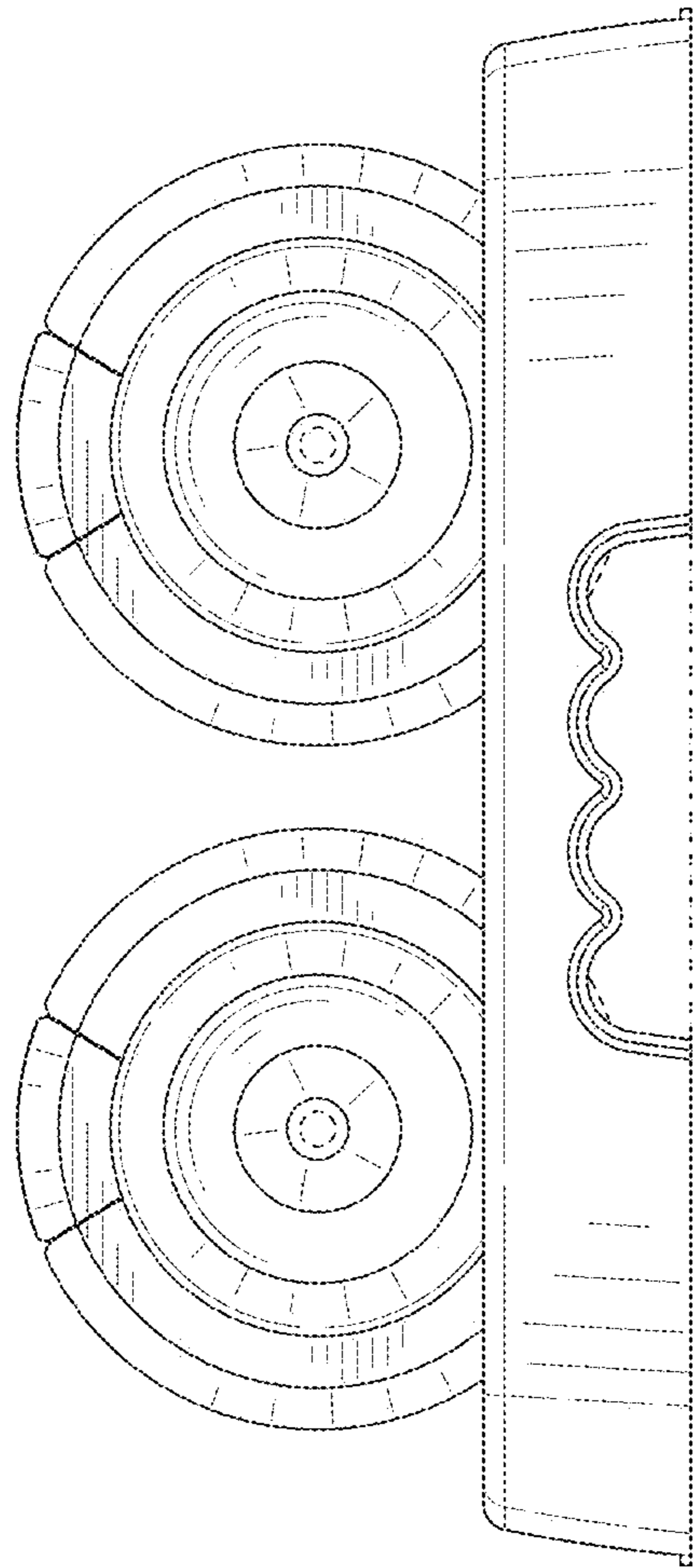


FIG. 5

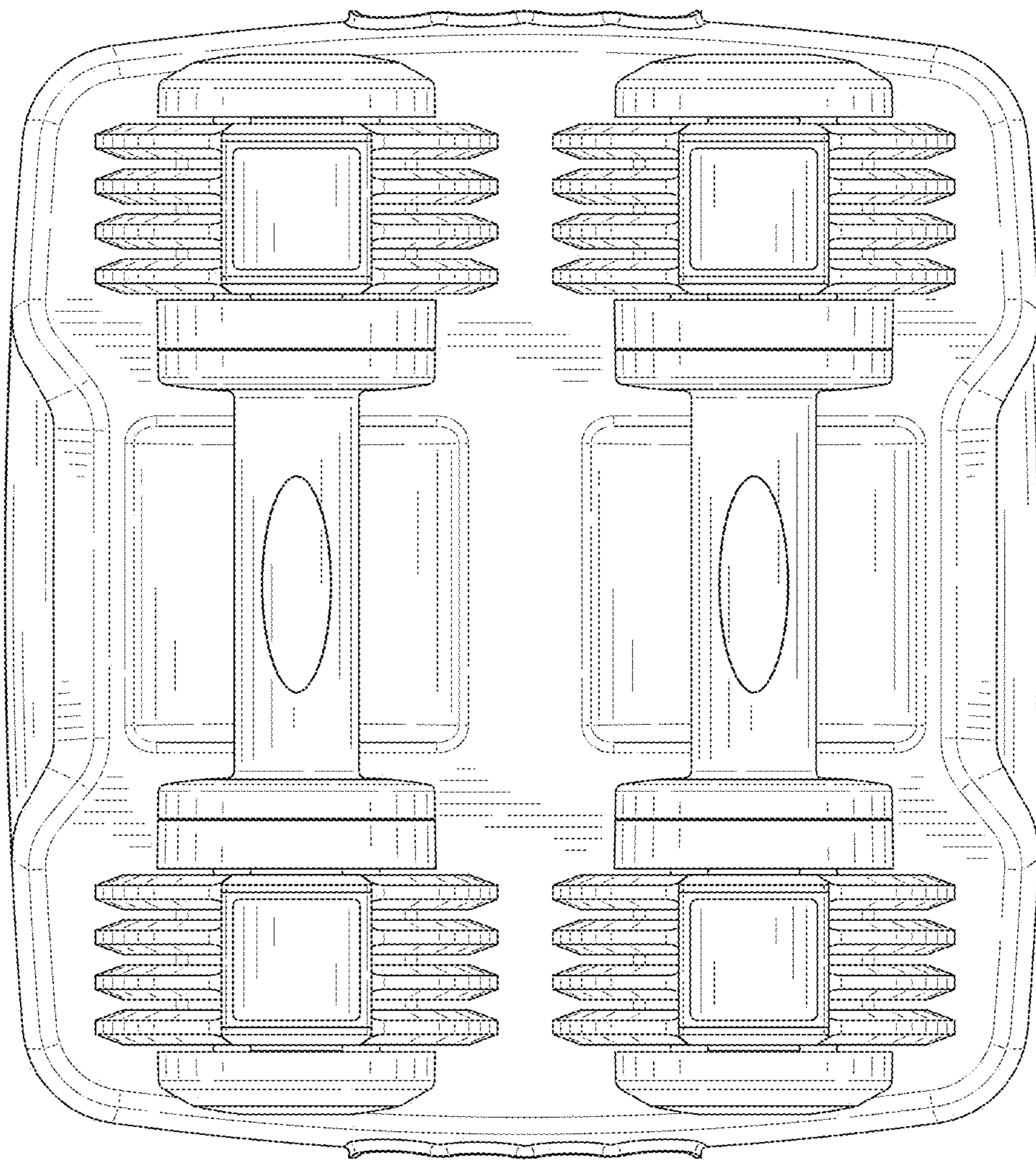


FIG. 6

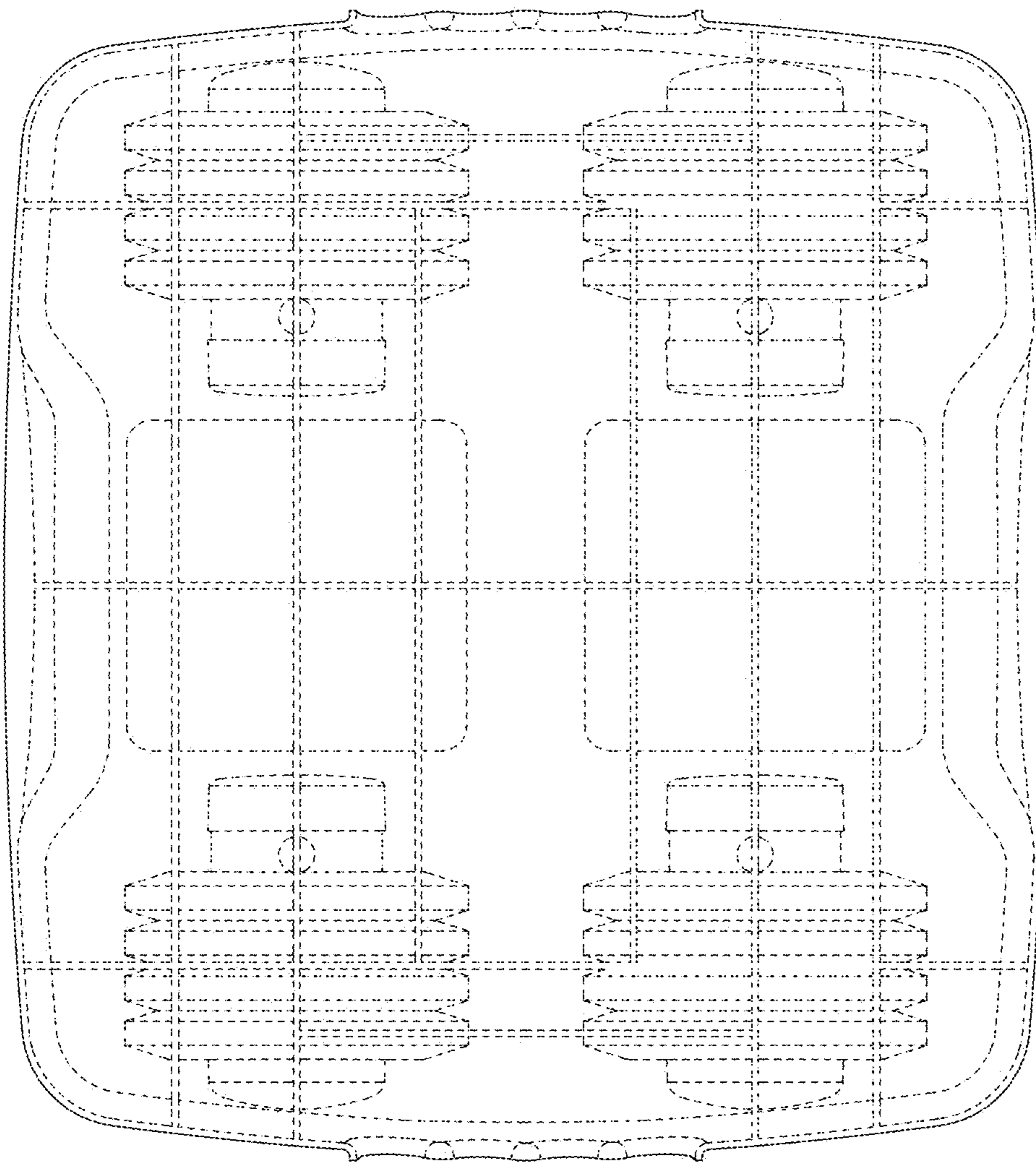


FIG. 7

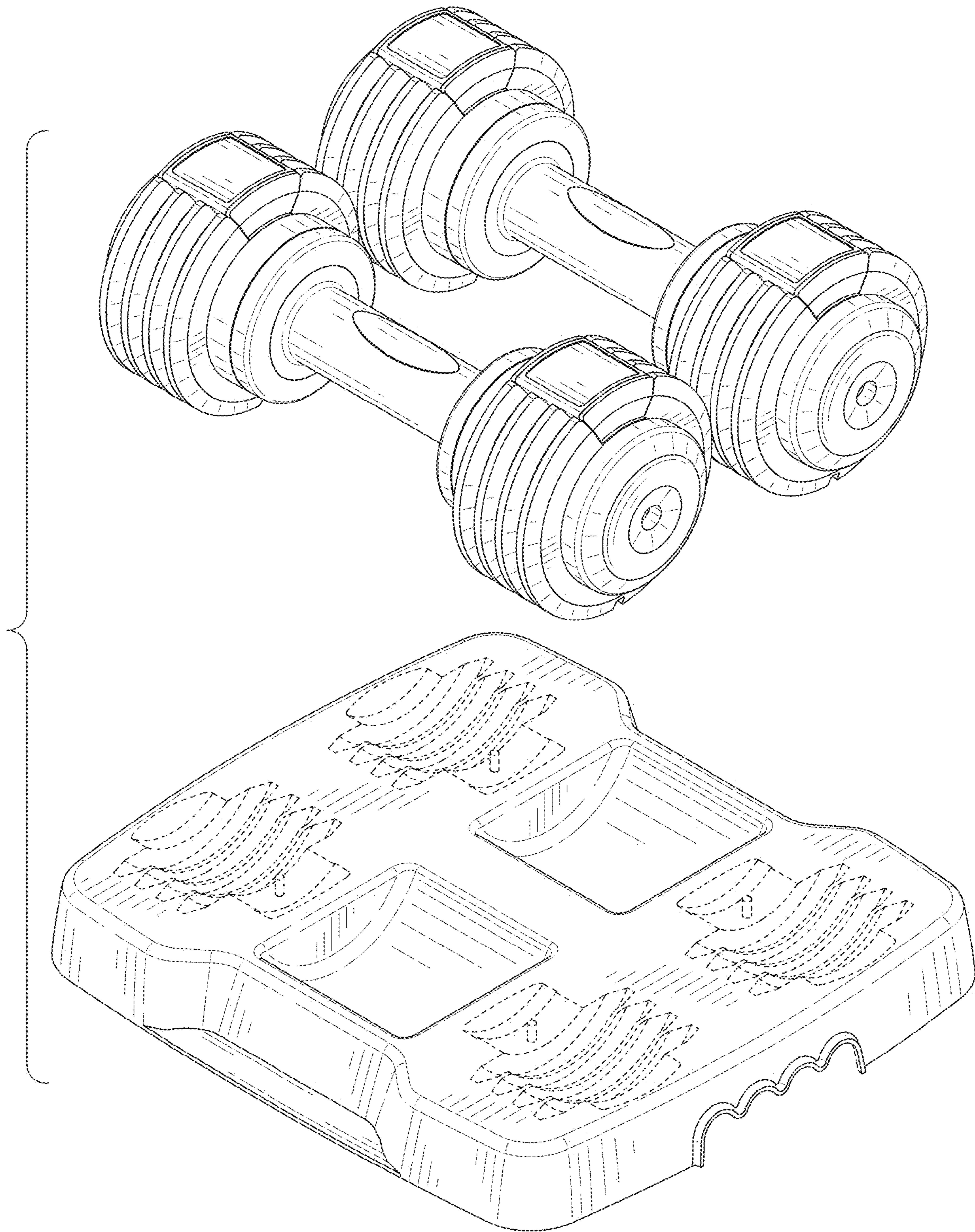


FIG. 8