



US00D965707S

(12) **United States Design Patent**
Tropper et al.

(10) **Patent No.:** **US D965,707 S**

(45) **Date of Patent:** **** Oct. 4, 2022**

(54) **EXERCISE BICYCLE**

(71) Applicant: **Trisport AG**, Hunenberg (CH)

(72) Inventors: **Michael Tropper**, London (GB);
Simon Daniel, London (GB)

(**) Term: **15 Years**

(21) Appl. No.: **35/512,090**

(22) Filed: **Apr. 26, 2021**

(80) **Hague Agreement Data**

Int. Filing Date: **Apr. 26, 2021**

Int. Reg. No.: **DM/214775**

Int. Reg. Date: **Apr. 26, 2021**

Int. Reg. Pub. Date: **Jun. 25, 2021**

(51) **LOC (13) Cl.** **21-02**

(52) **U.S. Cl.**
USPC **D21/663**

(58) **Field of Classification Search**
USPC D12/111; D21/662-667, 686-691, 697
CPC A63B 22/0605
See application file for complete search history.

(56) **References Cited**

U.S. PATENT DOCUMENTS

D571,417 S	*	6/2008	Su	D21/667
D649,203 S	*	11/2011	Zhang	D21/667
D649,204 S	*	11/2011	Zhang	D21/667
D677,349 S	*	3/2013	Baudhuin	D21/667
D677,746 S	*	3/2013	Baudhuin	D21/667

D682,371 S	*	5/2013	Baudhuin	D21/667
D791,252 S	*	7/2017	Pürschel	D21/667
D836,733 S	*	12/2018	Curbbun	D21/667
D873,933 S	*	1/2020	Bennett	D21/667
D874,584 S	*	2/2020	Alessandri	D21/663
D933,141 S	*	10/2021	Hawkins, III	D21/667
D936,760 S	*	11/2021	Sun	D21/663

* cited by examiner

Primary Examiner — Joseph Kukella

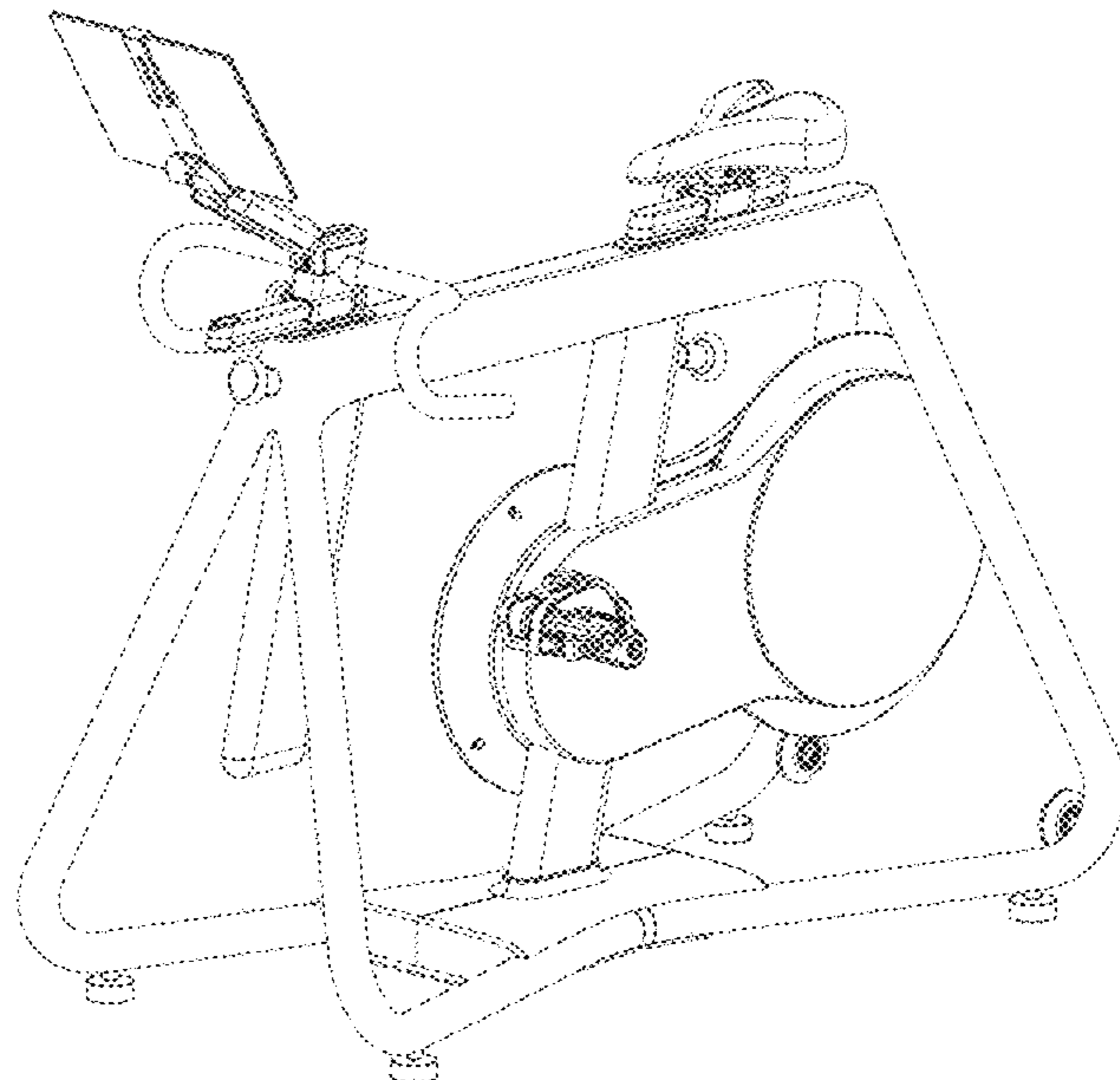
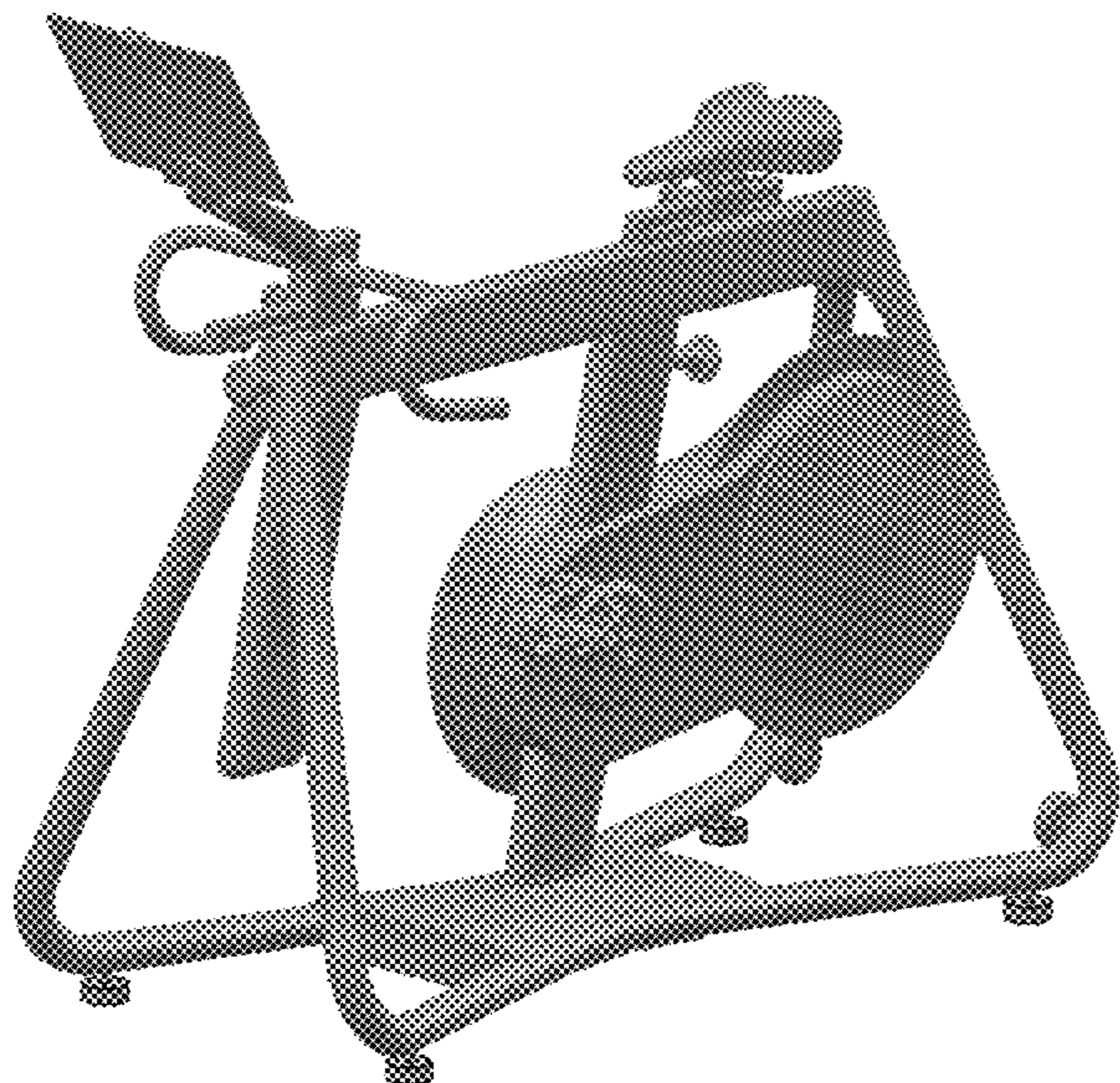
(57) **CLAIM**

The ornamental design for an exercise bicycle, as shown and described.

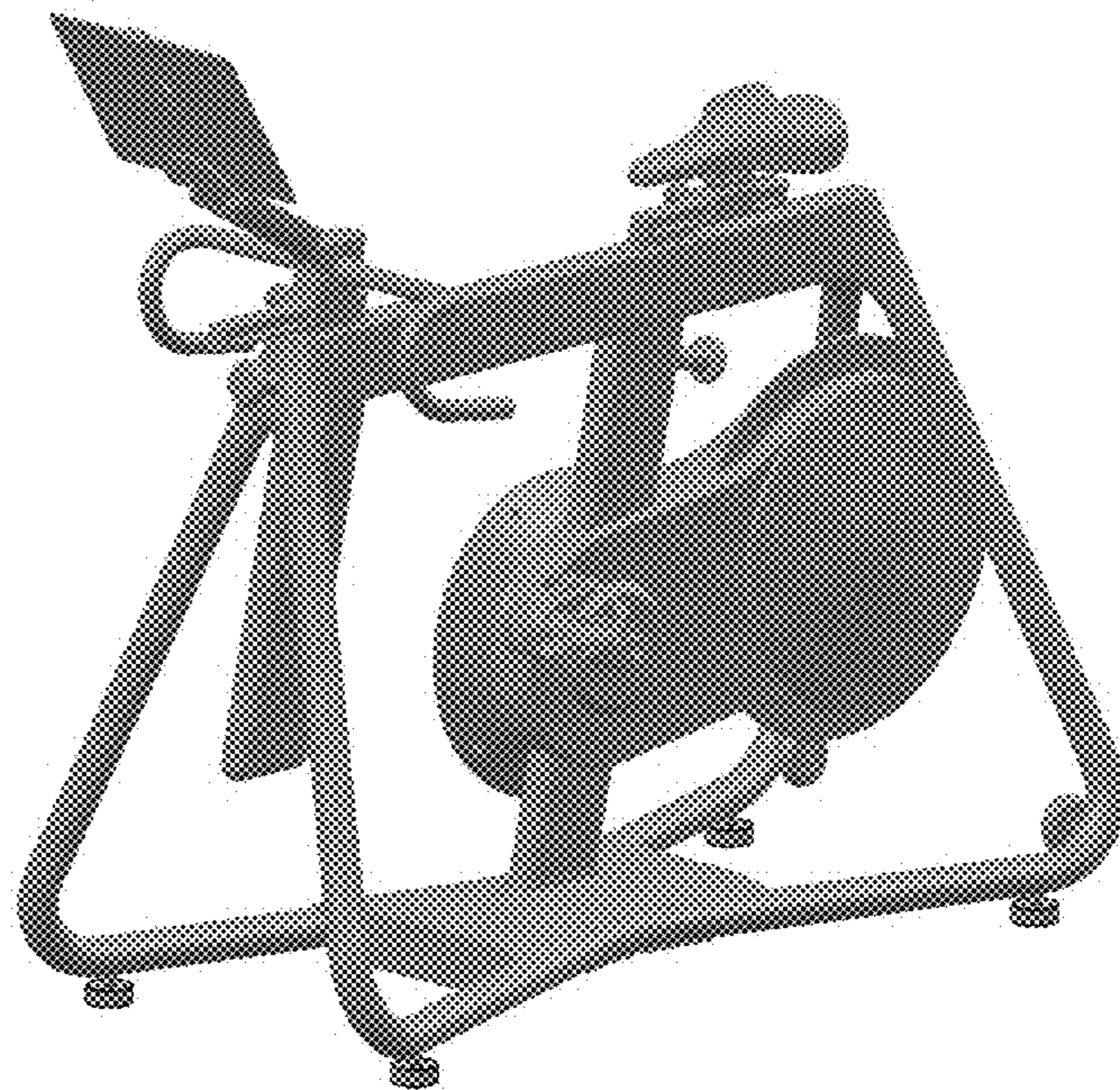
DESCRIPTION

- 1.1 is a front perspective view of an exercise bicycle showing our new design;
- 1.2 is a left side view thereof;
- 1.3 is back view thereof;
- 1.4 is a back perspective view thereof;
- 1.5 is a right side view thereof; and
- 1.6 is a top view thereof.
- 2.1 is a front perspective view of the design shown in FIG. 1 showing our new design in an alternative embodiment;
- 2.2 is a left side view of thereof;
- 2.3 is a top view thereof;
- 2.4 is a right side view thereof;
- 2.5 is a back view thereof;
- 2.6 is a front view thereof; and
- 2.7 is a bottom view thereof.

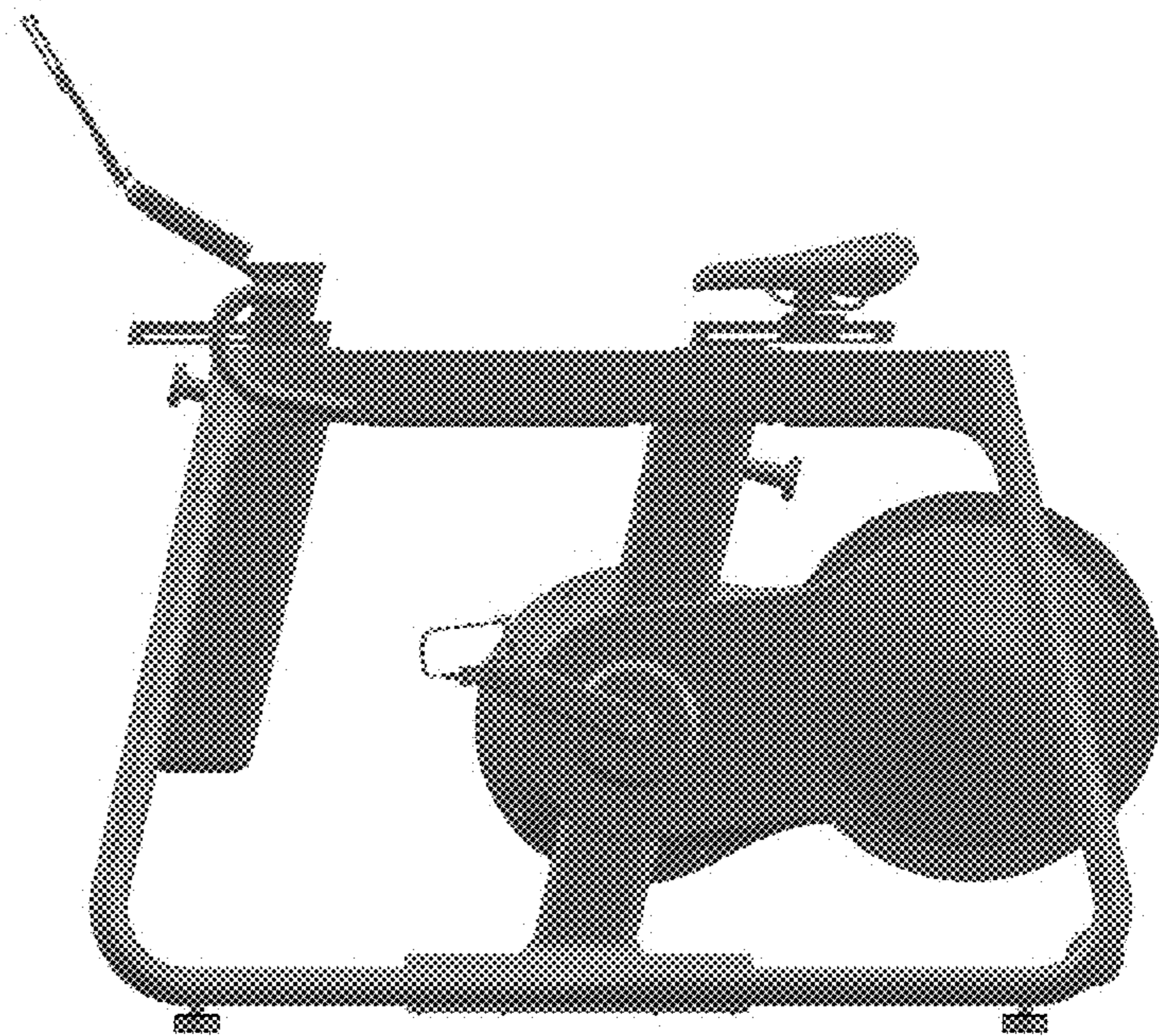
1 Claim, 13 Drawing Sheets



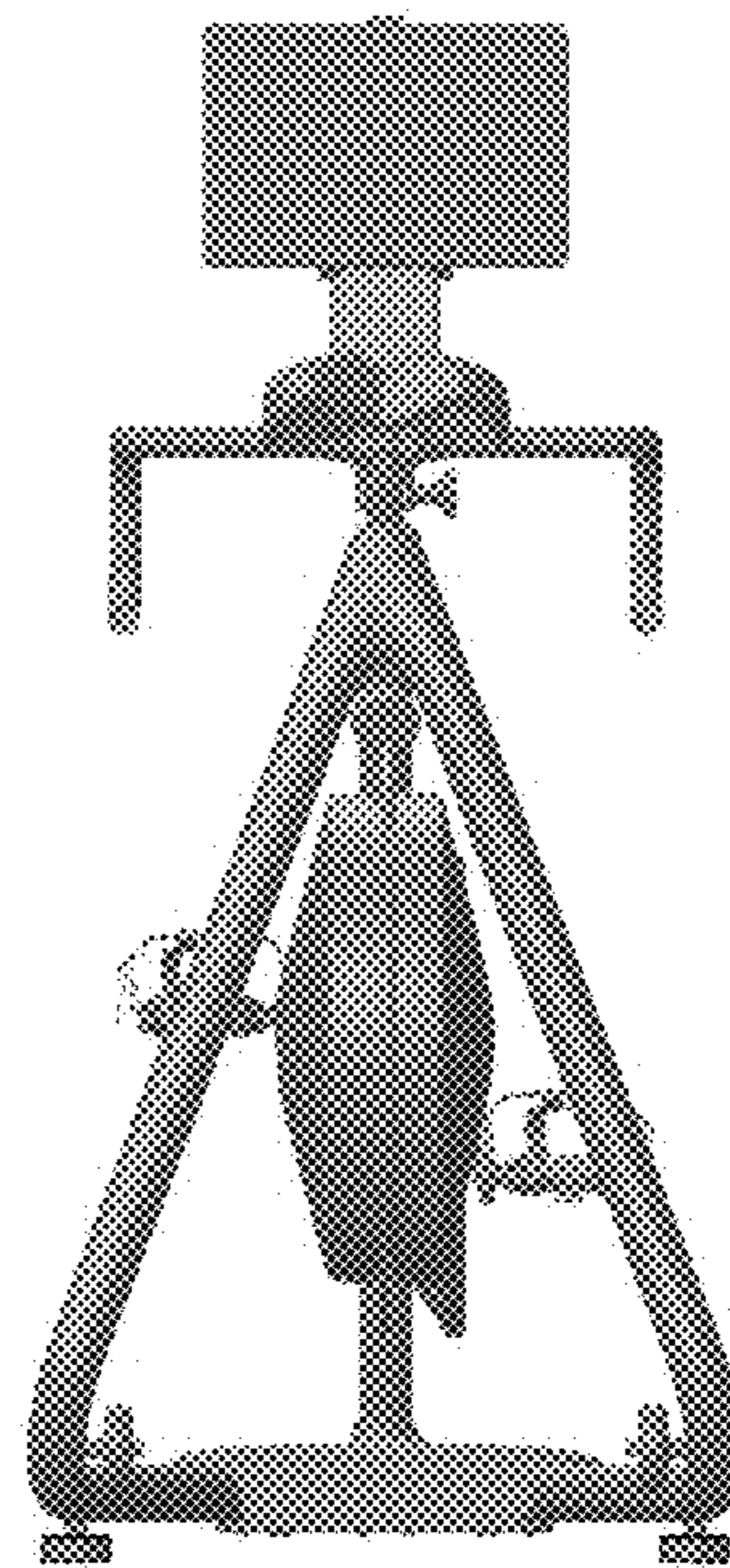
1.1



1.2



1.3



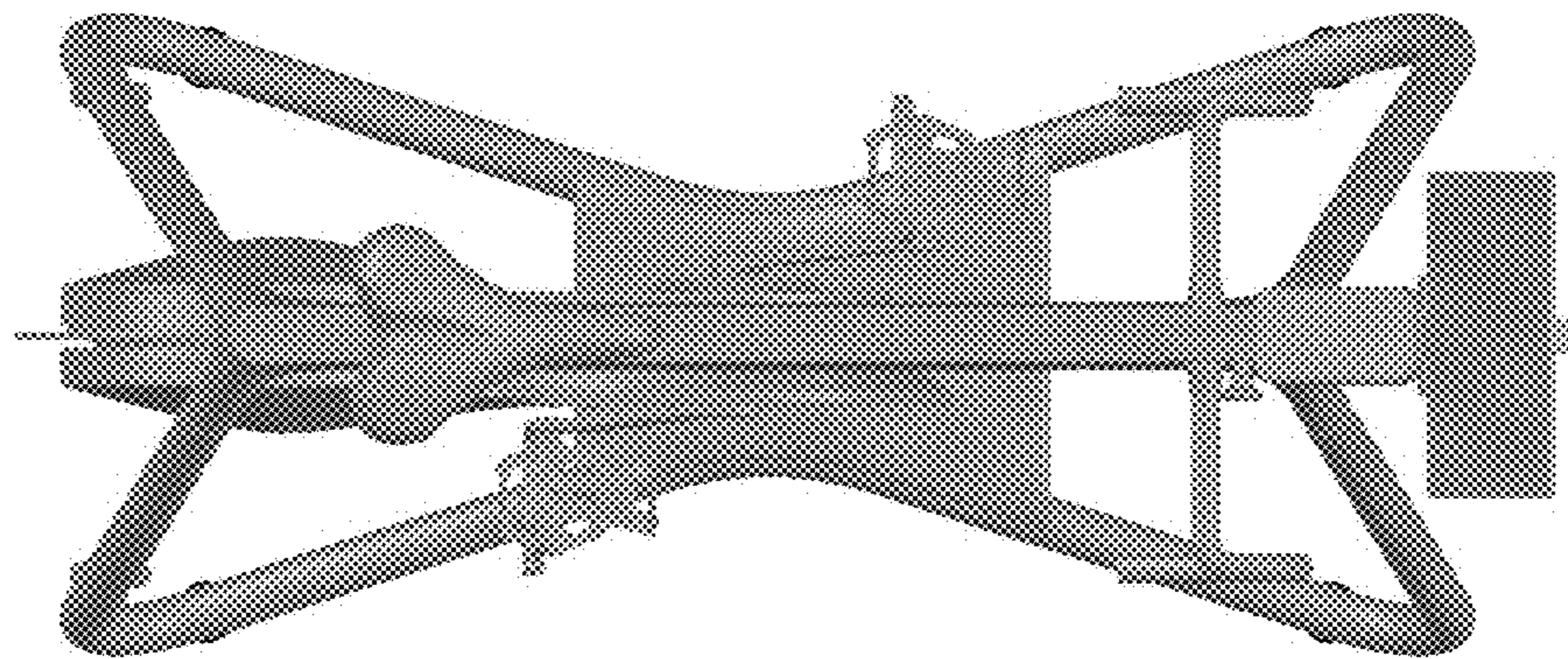
1.4



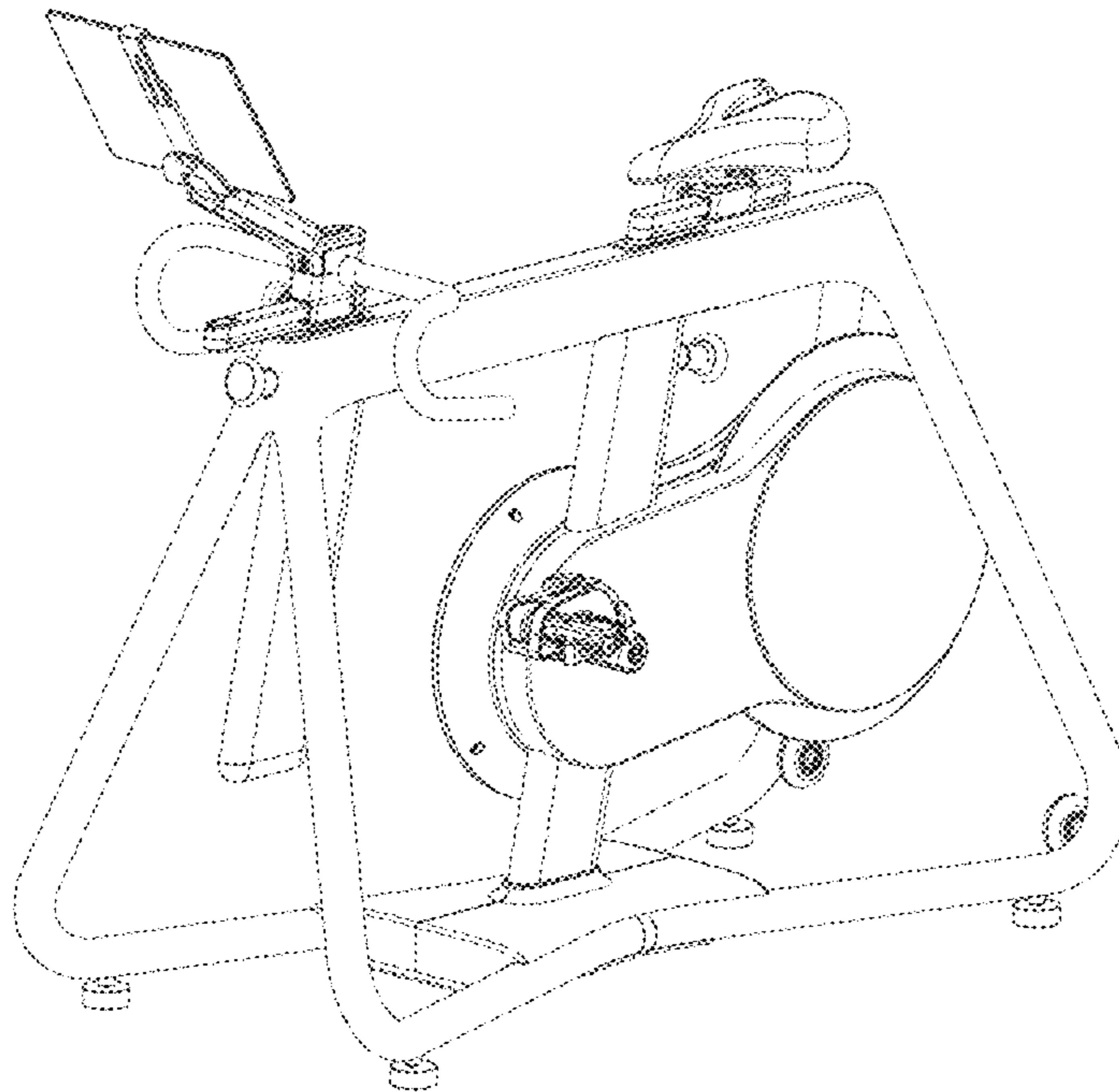
1.5



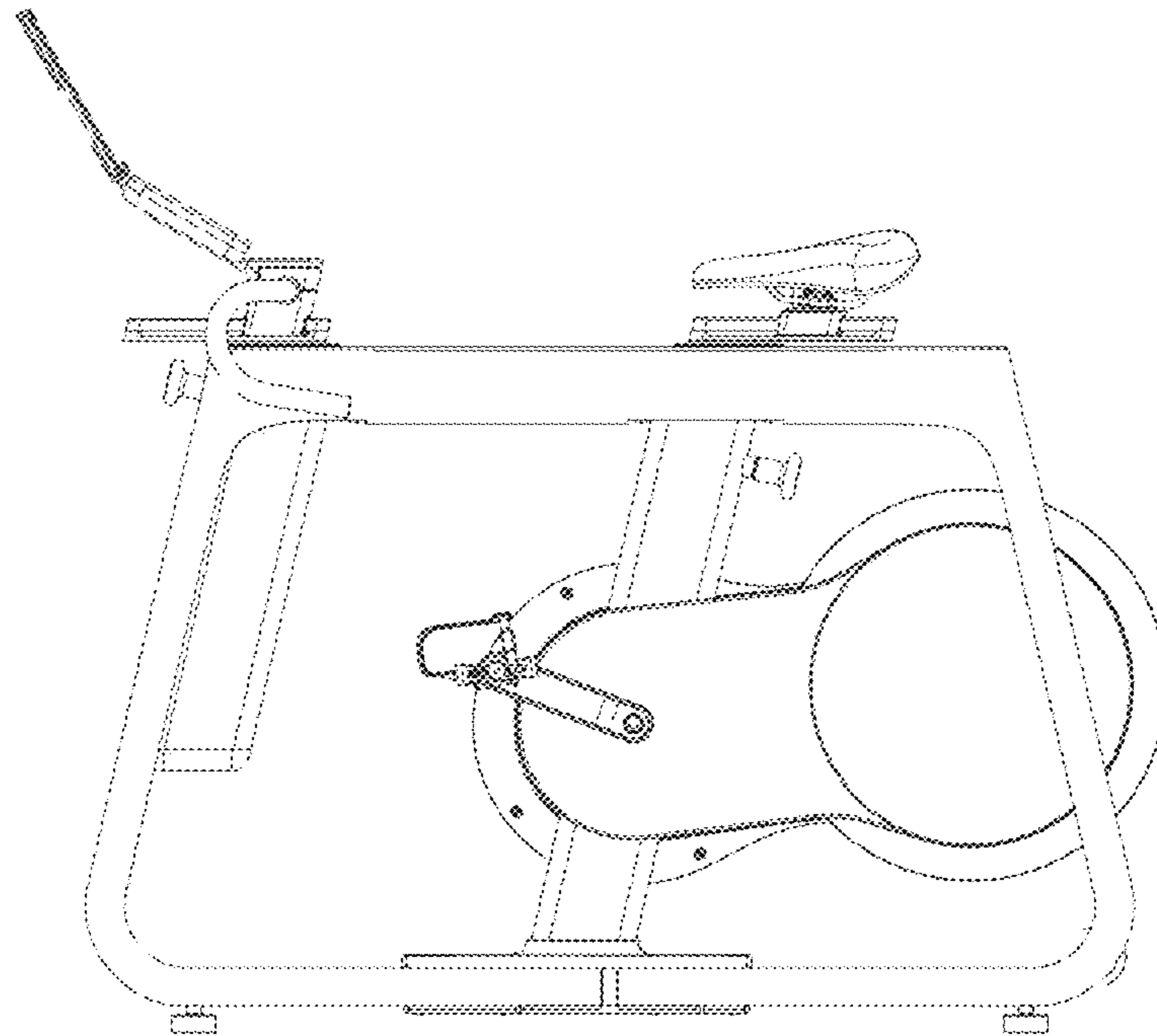
1.6



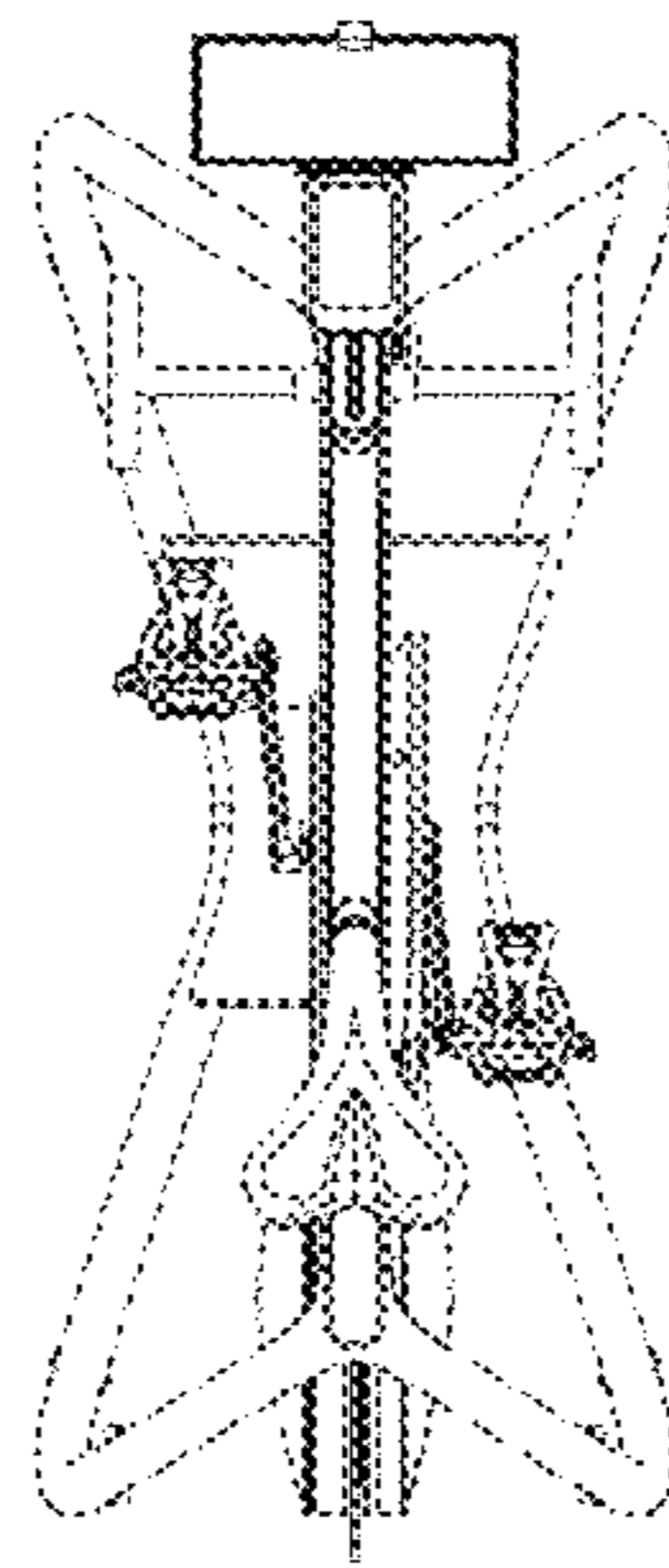
2.1



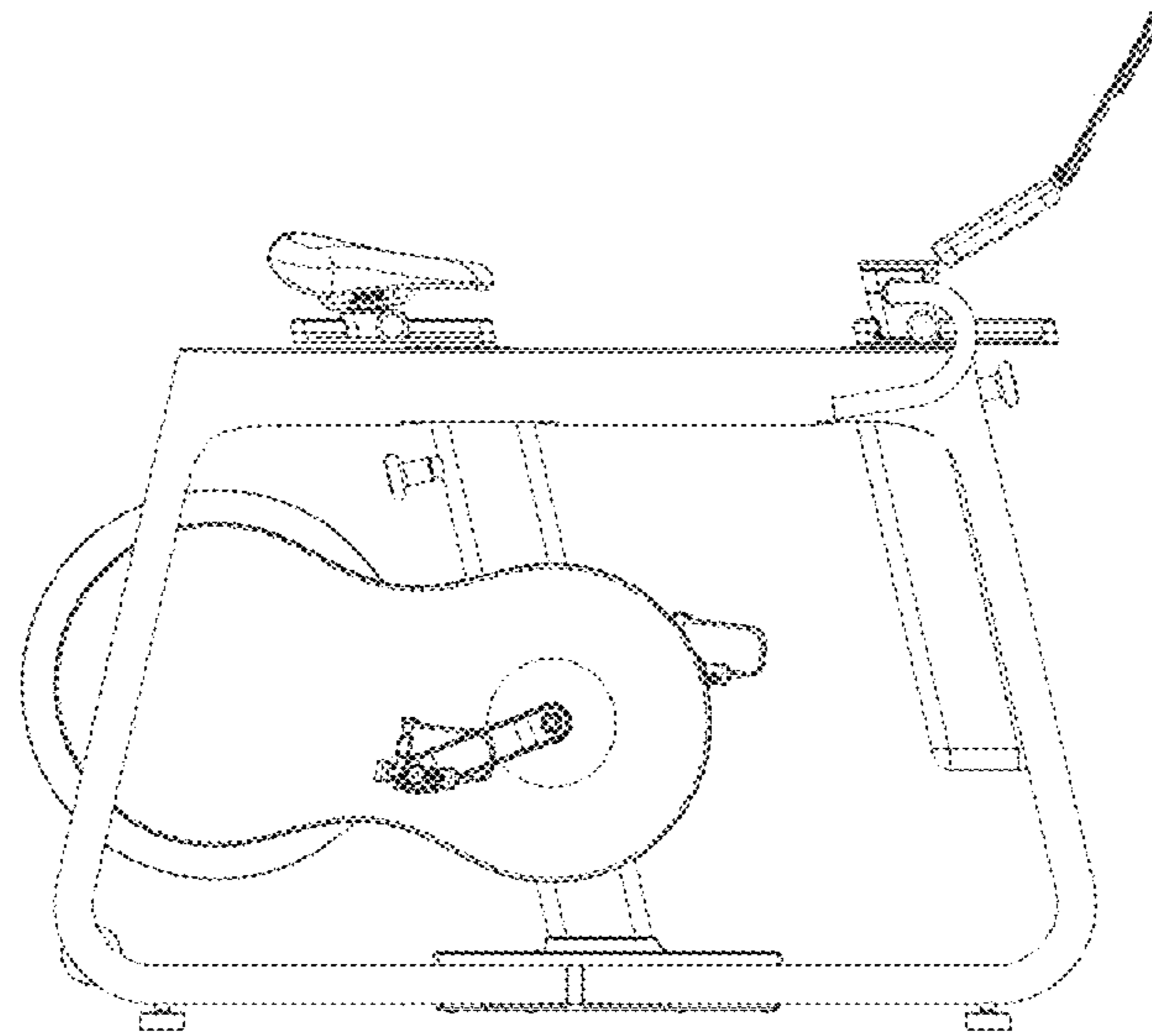
2.2



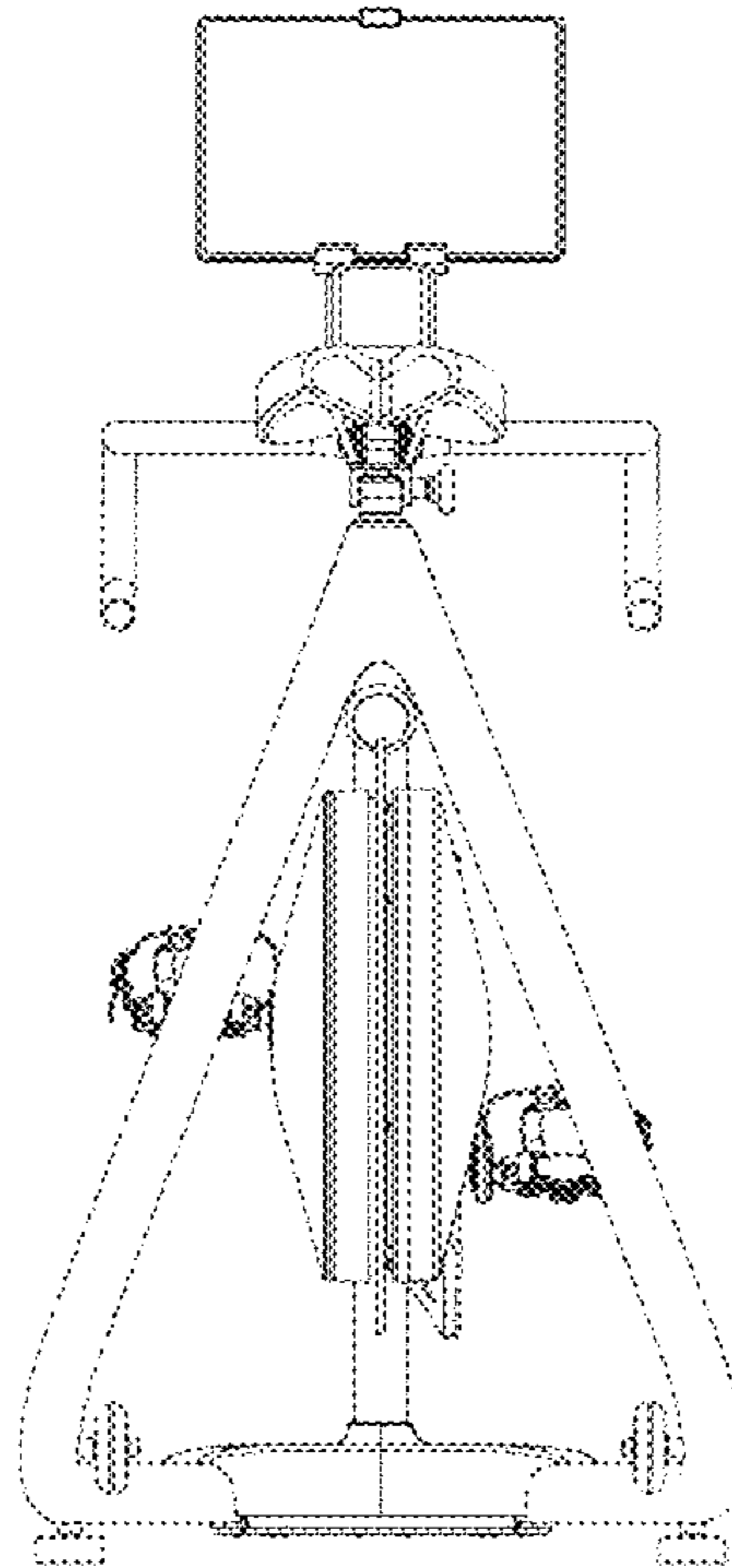
2.3



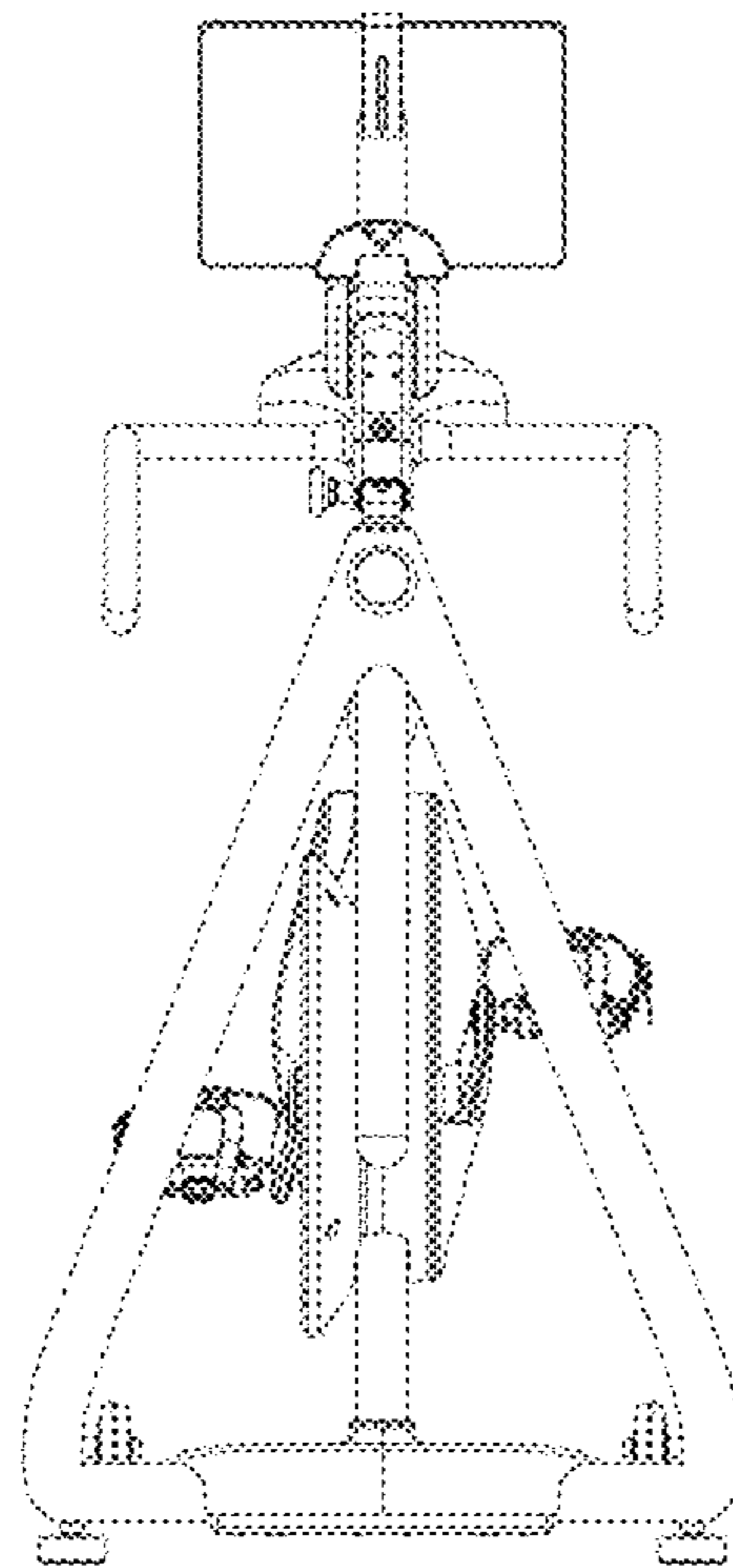
2.4



2.5



2.6



2.7

