



US00D965706S

(12) **United States Design Patent**
Lu et al.

(10) **Patent No.:** **US D965,706 S**
(45) **Date of Patent:** **** Oct. 4, 2022**

(54) **EXERCISE BICYCLE**
(71) Applicant: **Zhejiang Feier Intelligent Technology Co., Ltd., Zhejiang (CN)**
(72) Inventors: **Xiaolong Lu, Zhejiang (CN); Kaixin Chen, Zhejiang (CN)**

(73) Assignee: **Zhejiang Feier Intelligent Technology Co., Ltd., Zhejiang (CN)**

(**) Term: **15 Years**

(21) Appl. No.: **29/820,916**

(22) Filed: **Dec. 24, 2021**

(51) **LOC (13) Cl.** **21-02**

(52) **U.S. Cl.**
USPC **D21/663**

(58) **Field of Classification Search**
USPC D21/663, 667, 666, 697, 694, 665, 668, D21/664, 690, 676, 670; 482/57, 62, 482/111, 139, 145, 60, 51, 123, 72, 61, 482/58, 9, 59, 80; 74/502.4, 502.6, 74/594.2, 594.1, 48; D12/178, 411, 345, D12/211, 209, 205; D23/382, 381, 378, D23/412, 411, 413, 377; D13/115; D15/7, 138, 5
CPC A63B 22/0605; A63B 22/001; A63B 21/0088

See application file for complete search history.

(56) **References Cited**

U.S. PATENT DOCUMENTS

D380,796 S * 7/1997 Wang D21/667
D392,352 S * 3/1998 Hill D21/663
D460,794 S * 7/2002 Baker D21/667
6,569,063 B2 * 5/2003 Chen A63B 21/0051
482/57
D532,063 S * 11/2006 Kim D21/697
D571,417 S * 6/2008 Su D21/667

D616,050 S * 5/2010 Lull D21/667
D624,612 S * 9/2010 Watt D21/667
D625,762 S * 10/2010 Fon D21/667
D649,203 S * 11/2011 Zhang D21/667
D649,204 S * 11/2011 Zhang D21/667
D649,607 S * 11/2011 Lull D21/697
8,052,581 B1 * 11/2011 Lohr A63B 21/015
482/63

(Continued)

Primary Examiner — Ryan Harvey

(74) *Attorney, Agent, or Firm* — ScienBiziP, P.C.

(57) **CLAIM**

The ornamental design for an exercise bicycle, as shown and described.

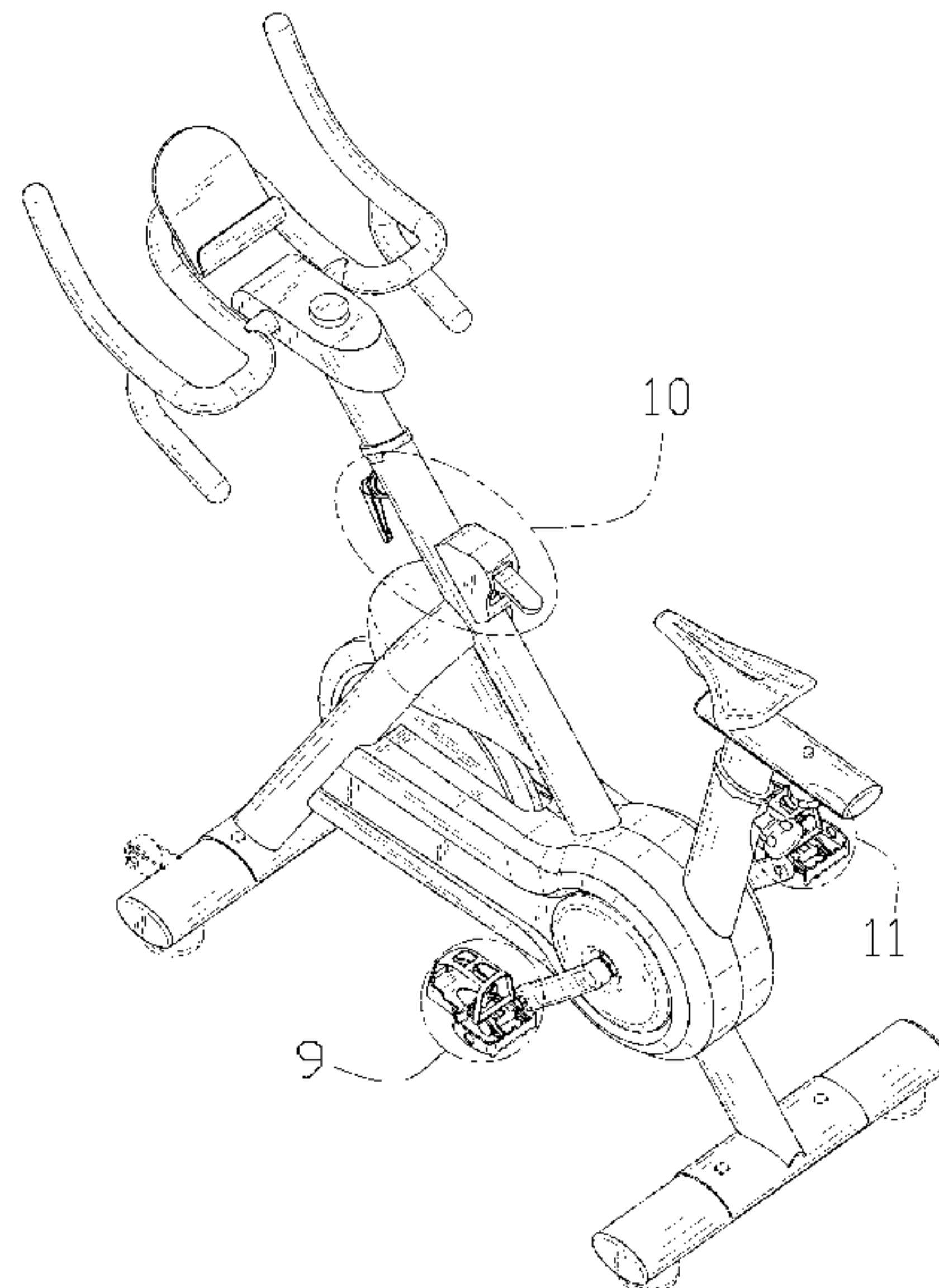
DESCRIPTION

FIG. 1 is a front, right, and top perspective view of an exercise bicycle, showing our design.
FIG. 2 is a rear, left, and bottom perspective view thereof.
FIG. 3 is a front elevation view thereof.
FIG. 4 is a rear elevation view thereof.
FIG. 5 is a left side elevation view thereof.
FIG. 6 is a right side elevation view thereof.
FIG. 7 is a top plan view thereof.
FIG. 8 is a bottom plan view thereof.
FIG. 9 is a partial enlarged view of an area labeled 9 in FIG. 1 comprising a foot pedal.
FIG. 10 is a partial enlarged view of an area labeled 10 in FIG. 1 comprising an adjustable knob.
FIG. 11 is a partial enlarged view of an area labeled 11 in FIG. 1 comprising a foot pedal; and,
FIG. 12 is a partial enlarged view of an area labeled 12 in FIG. 2 comprising a foot pedal.

The broken lines shown in the drawings are included for the purpose of illustrating portions of the exercise bicycle that form no part of the claimed design.

In addition, the dot-dash broken lines in the drawings illustrate an enlarged portion of the design.

1 Claim, 12 Drawing Sheets



(56)

References Cited

U.S. PATENT DOCUMENTS

D675,687 S *	2/2013	Fischer	D21/663	10,179,257 B2 *	1/2019	Hsu	A63B 21/00072
D676,508 S *	2/2013	Wu	D21/667	D860,339 S	9/2019	Sun		
D677,349 S *	3/2013	Baudhuin	D21/667	D909,497 S *	2/2021	Goldberg	D21/667
D677,350 S *	3/2013	Goldberg	D21/667	D928,251 S	8/2021	Jonz et al.		
D677,351 S *	3/2013	Baudhuin	D21/697	D936,760 S *	11/2021	Sun	D21/663
D677,746 S *	3/2013	Baudhuin	D21/667	2005/0221961 A1 *	10/2005	Forcillo	A63B 22/0605
D677,747 S *	3/2013	Baudhuin	D21/697					482/57
D679,765 S *	4/2013	Baudhuin	D21/697	2010/0234185 A1 *	9/2010	Watt	A63B 22/0605
D682,371 S *	5/2013	Baudhuin	D21/667					482/8
D682,954 S *	5/2013	Cornejo	D21/667	2010/0234188 A1 *	9/2010	Wan	A63B 21/15
D684,223 S *	6/2013	Cornejo	D21/667					482/61
D709,566 S *	7/2014	Baudhuin	D21/667	2011/0105282 A1 *	5/2011	Pinzon	A63B 22/0605
D709,567 S *	7/2014	Baudhuin	D21/697					482/57
D781,971 S *	3/2017	Hsieh	D21/663	2012/0088638 A1 *	4/2012	Lull	A63B 21/00069
D791,252 S *	7/2017	Pürschel	D21/667					482/57
D794,724 S *	8/2017	Tasca	D21/663	2015/0202518 A1 *	7/2015	Baudhuin	A63B 71/0622
9,839,810 B1 *	12/2017	Tzeng	A63B 21/015					482/8
9,919,182 B2 *	3/2018	Golesh	A63B 21/00069	2015/0238808 A1 *	8/2015	Lin	A63B 22/0023
D836,733 S *	12/2018	Curbun	D21/667					482/57
					2016/0263417 A1 *	9/2016	Golesh	A63B 21/0051

* cited by examiner

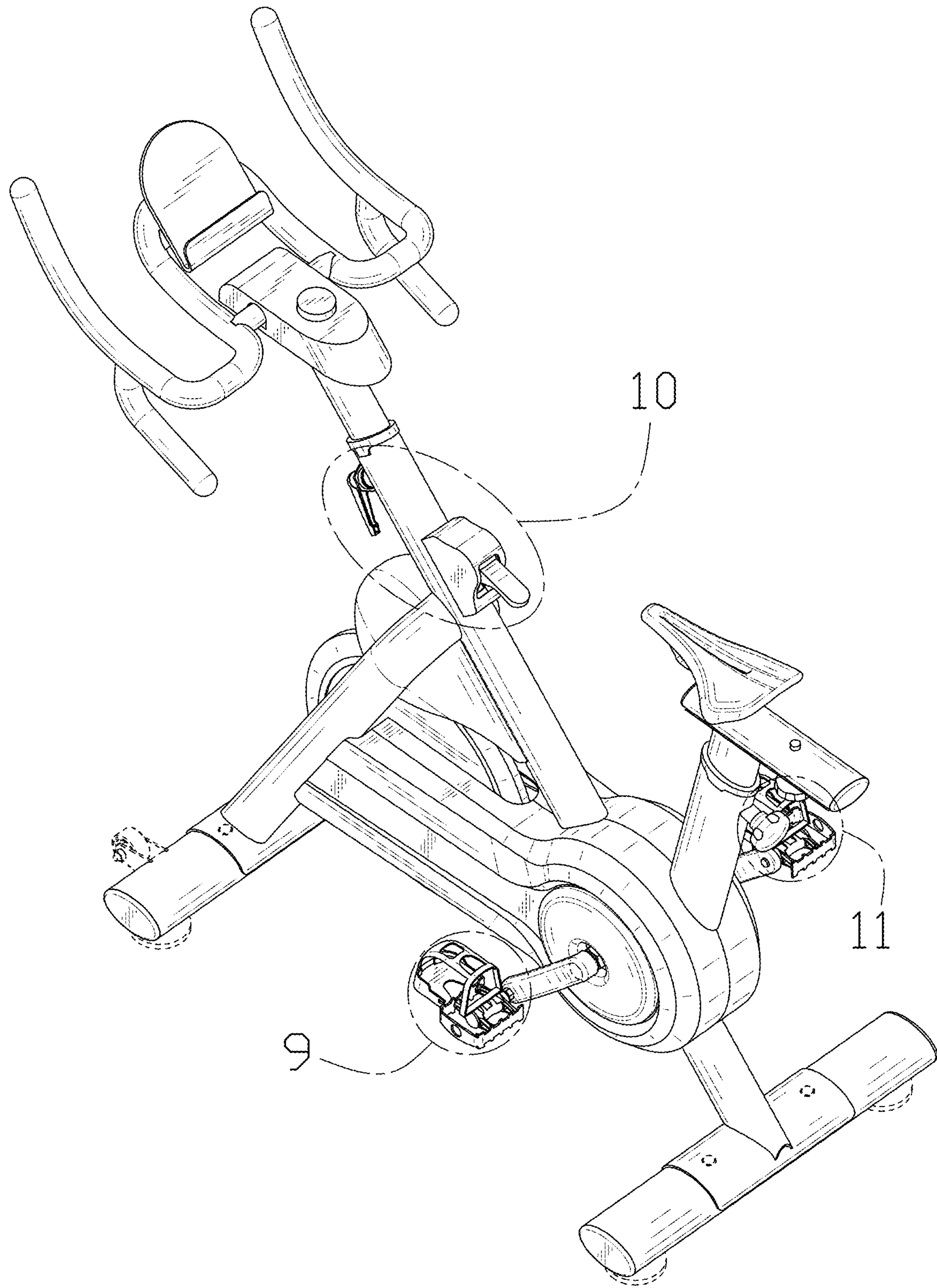


FIG. 1

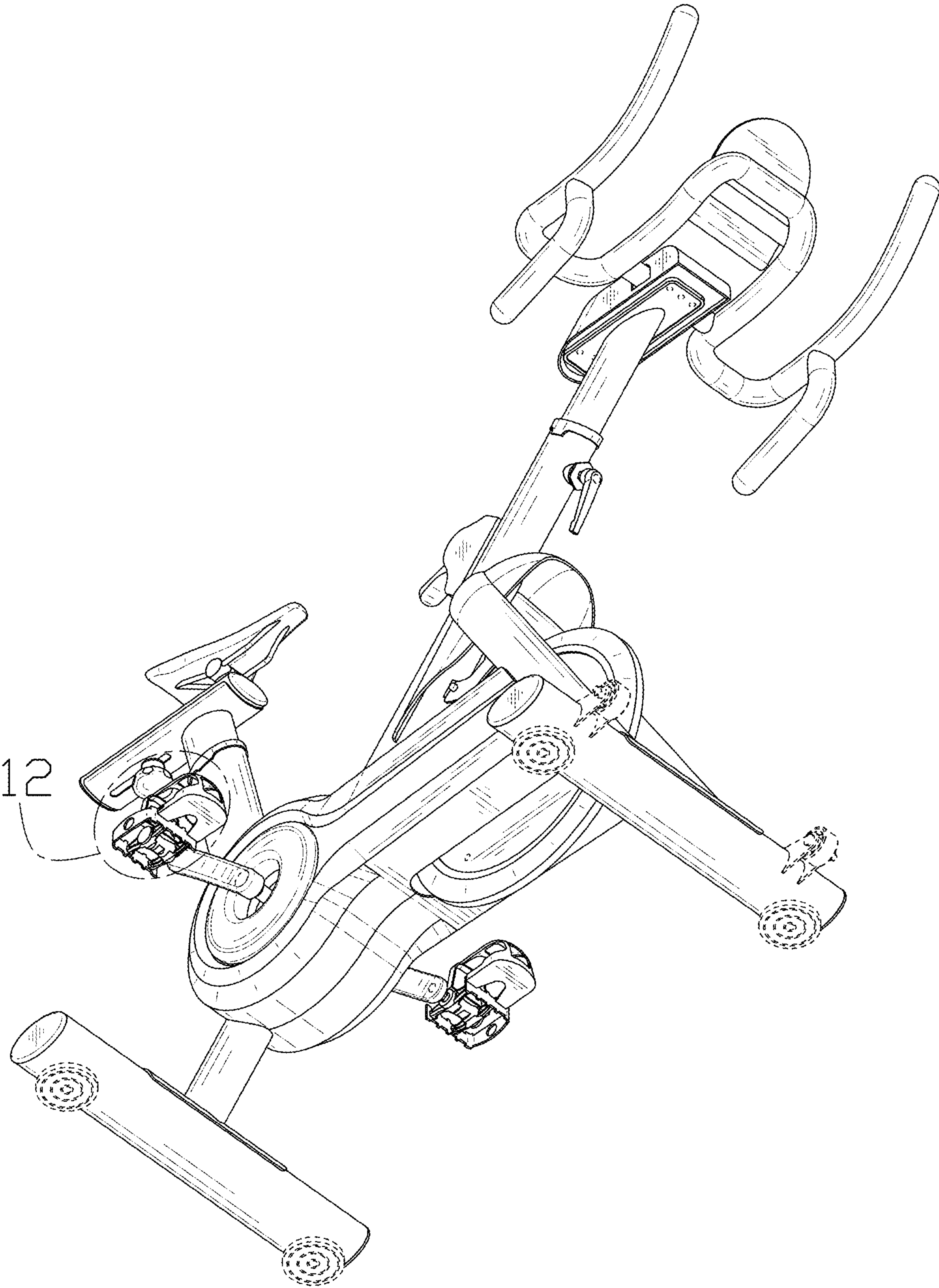


FIG. 2

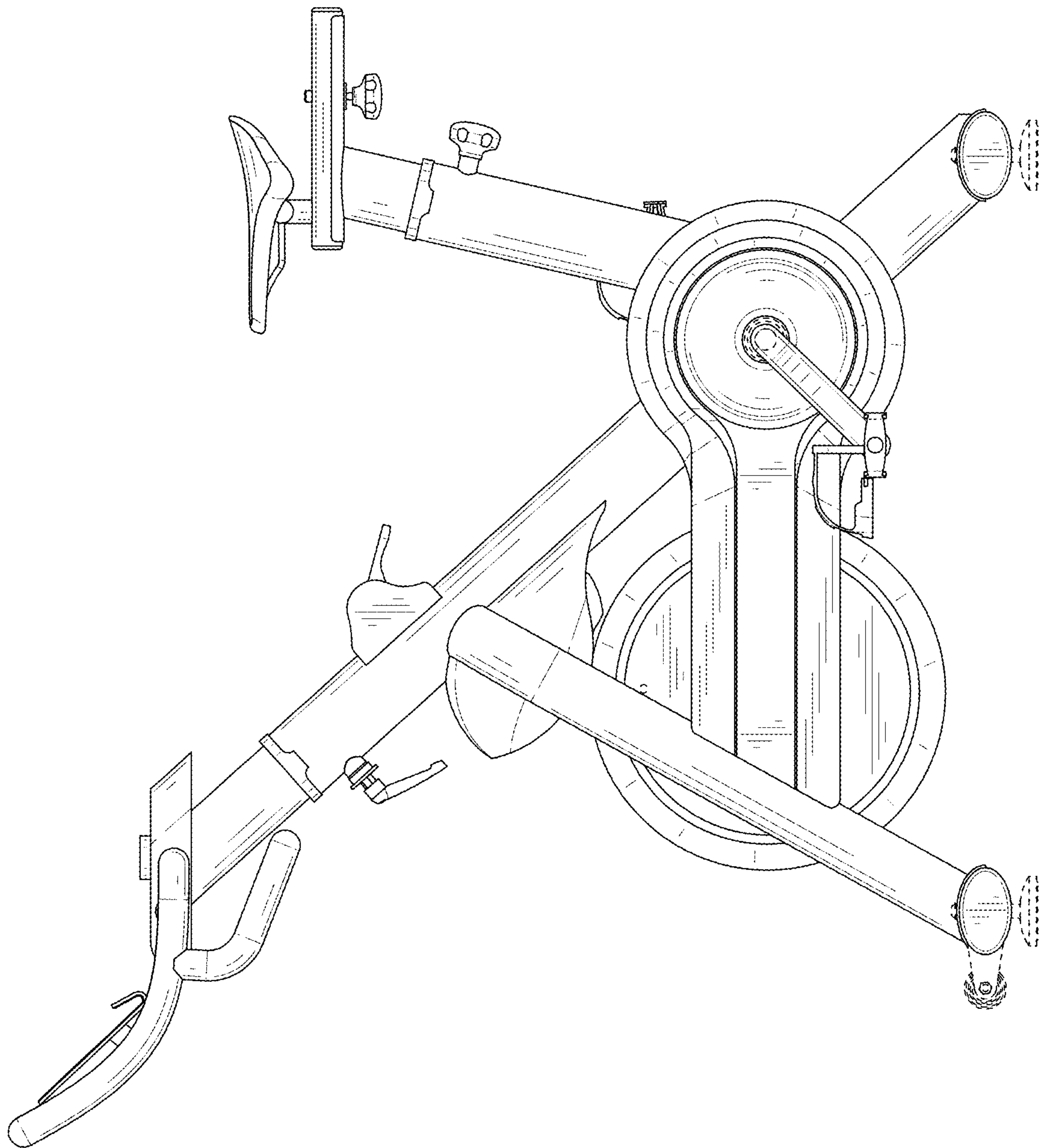


FIG. 3

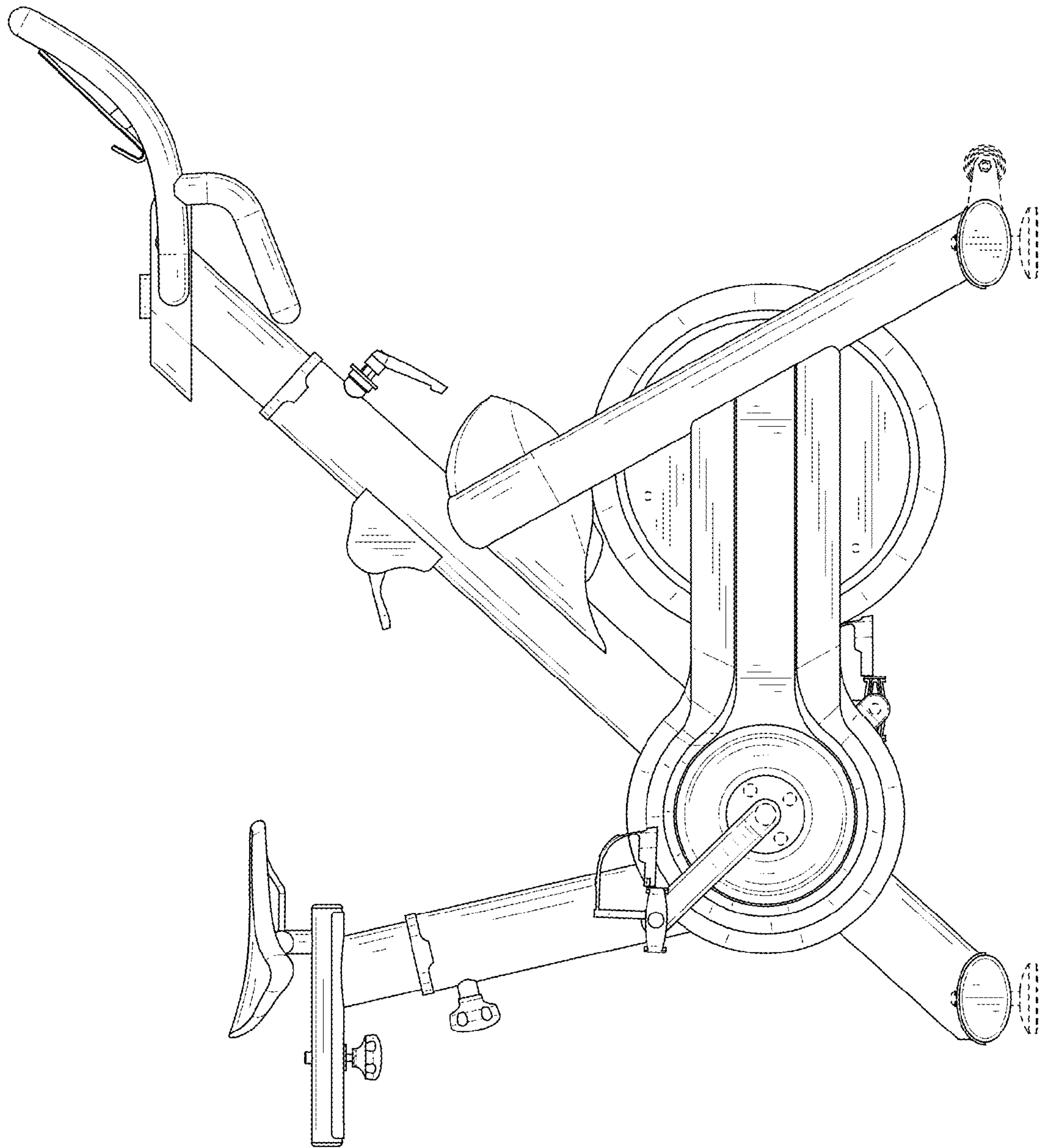


FIG. 4

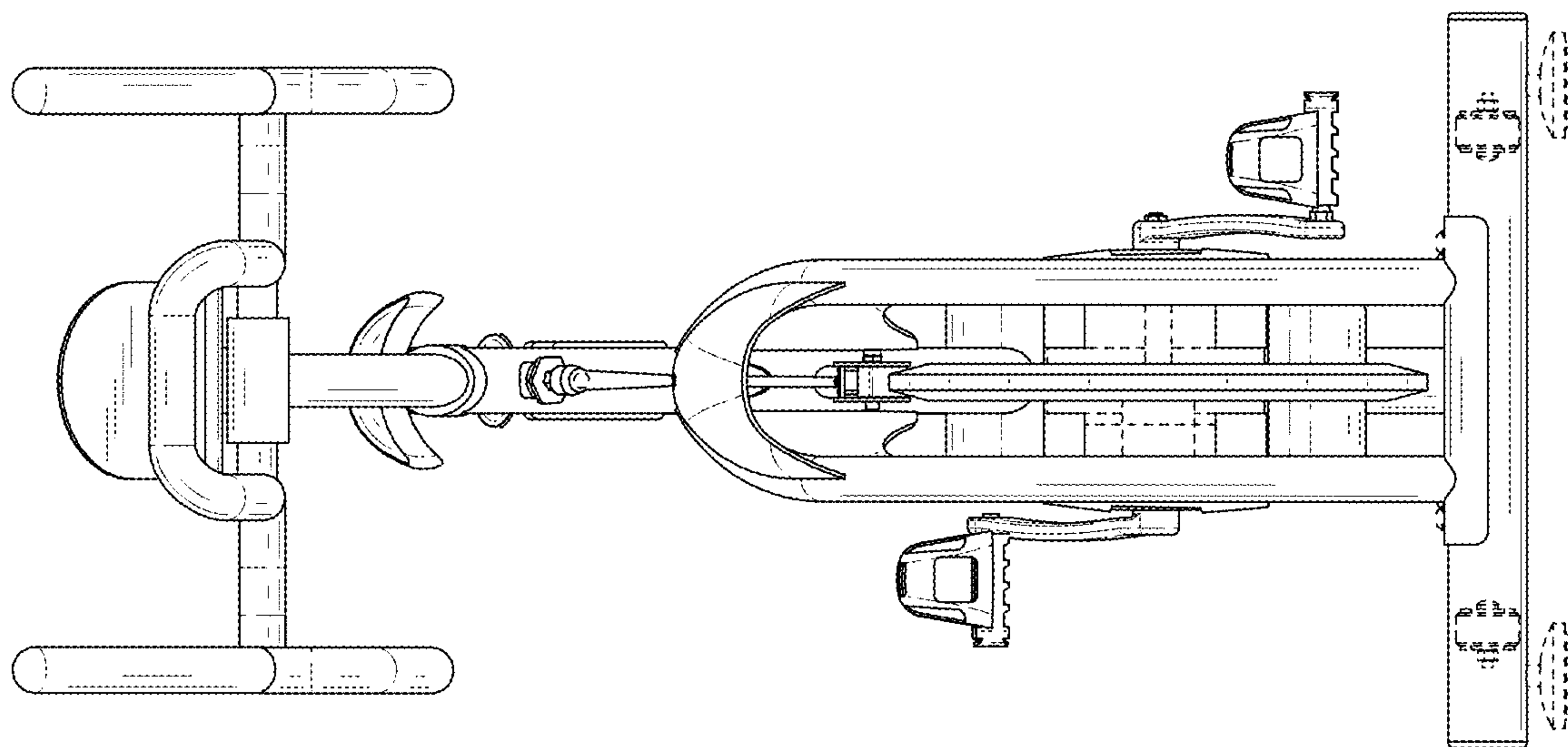


FIG. 5

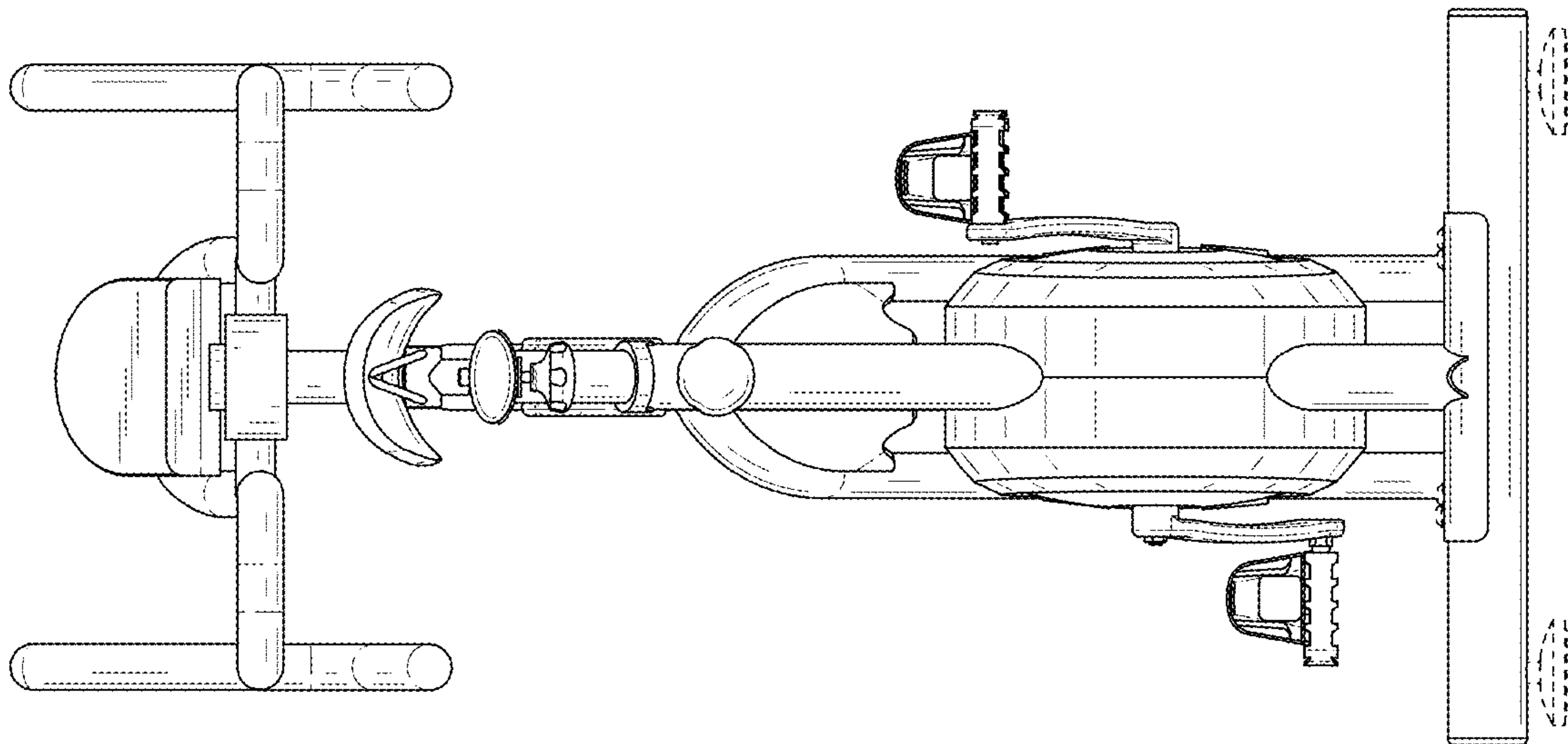


FIG. 6

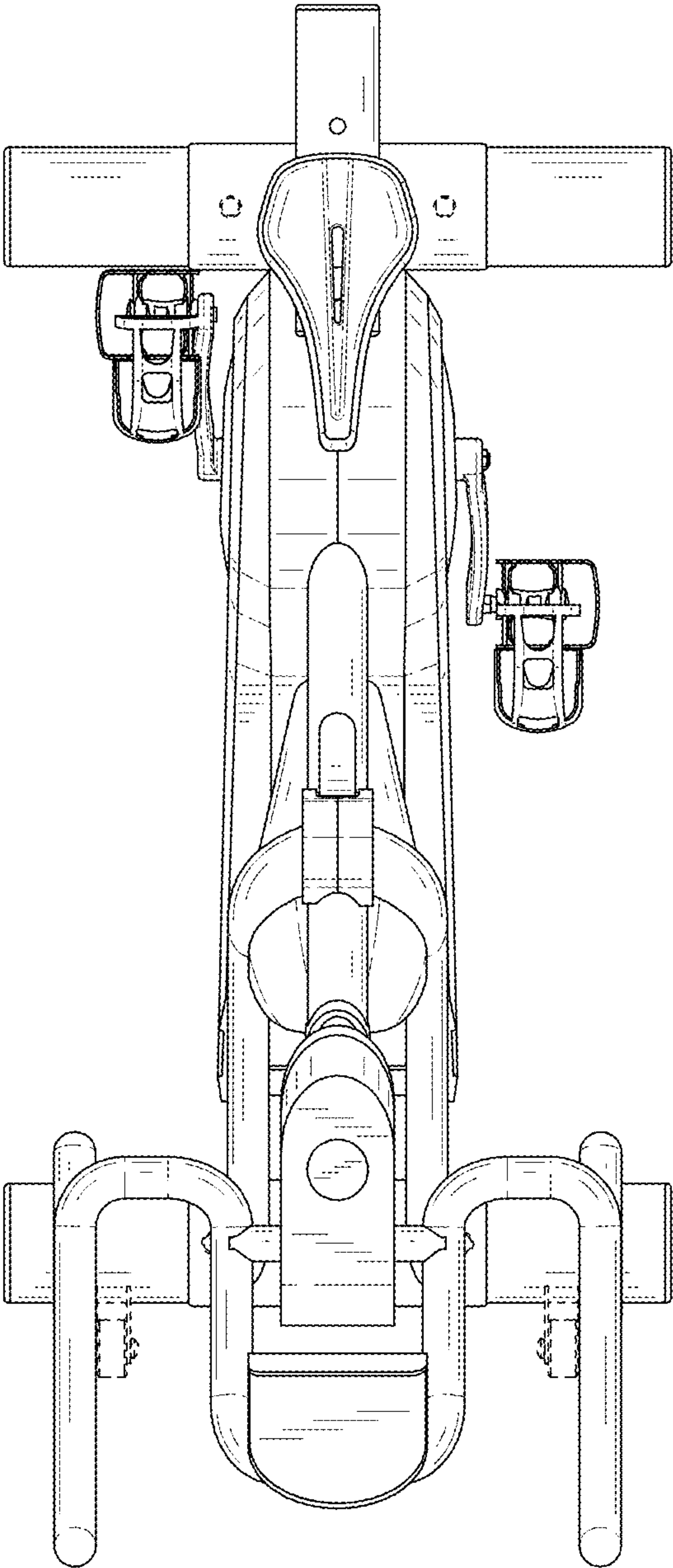


FIG. 7

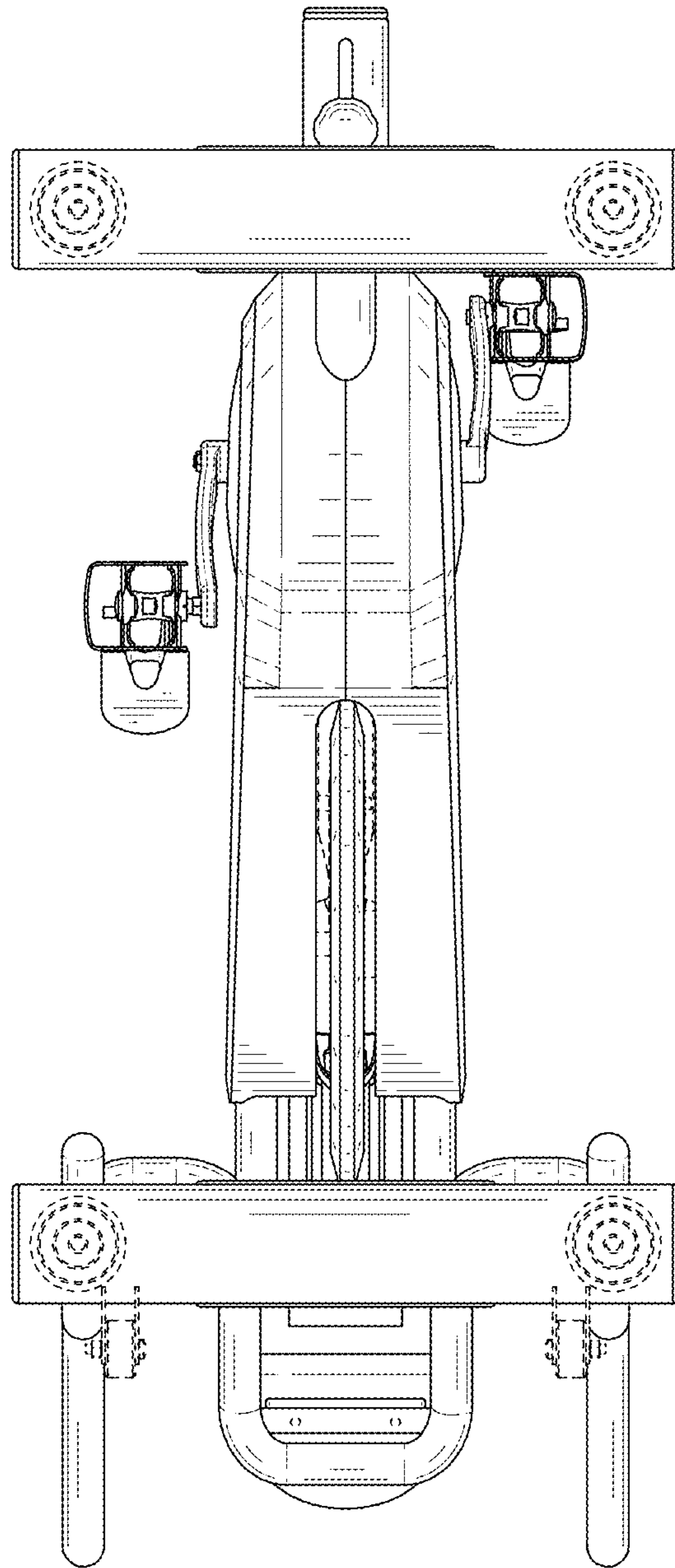


FIG. 8

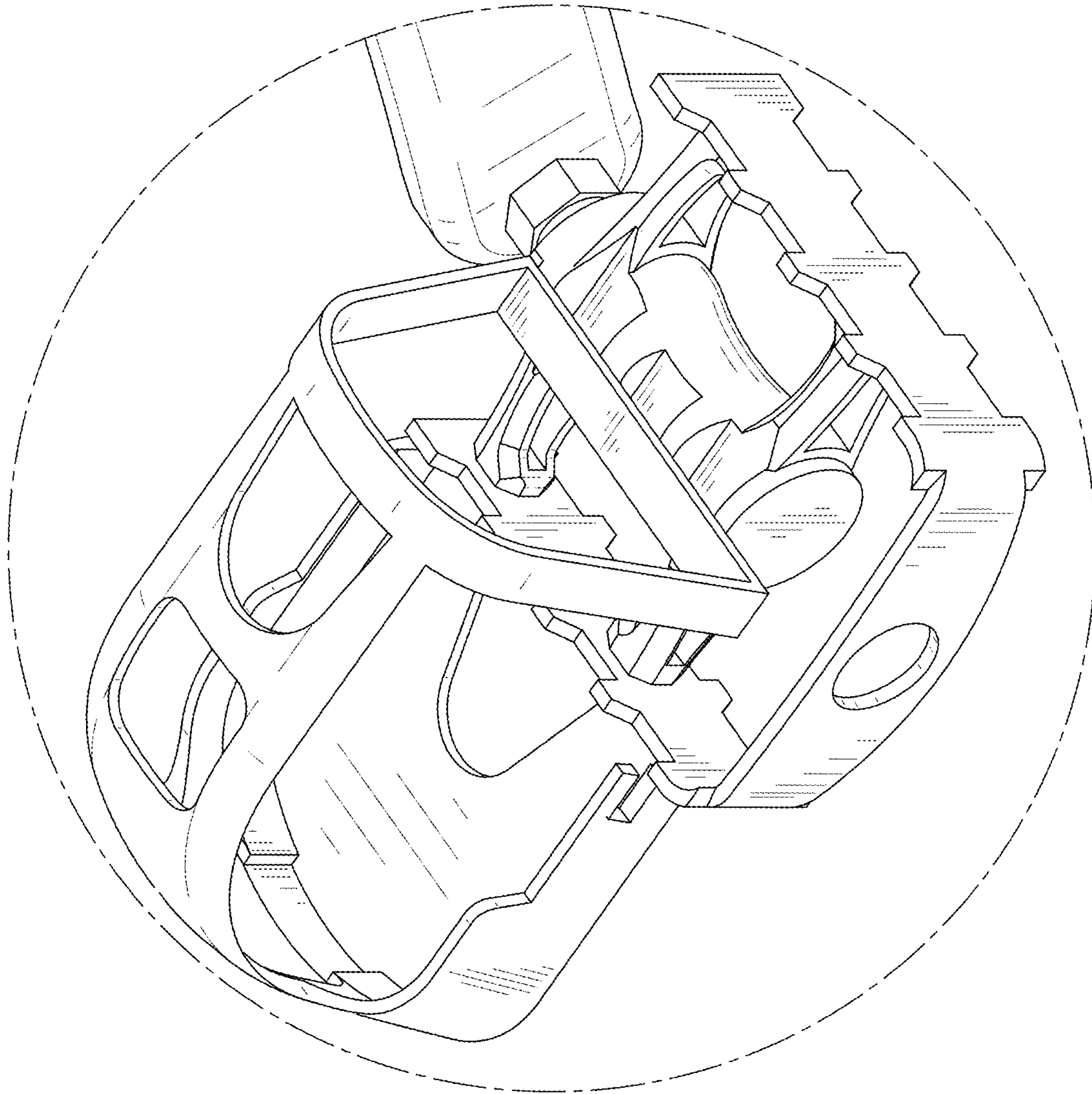


FIG. 9

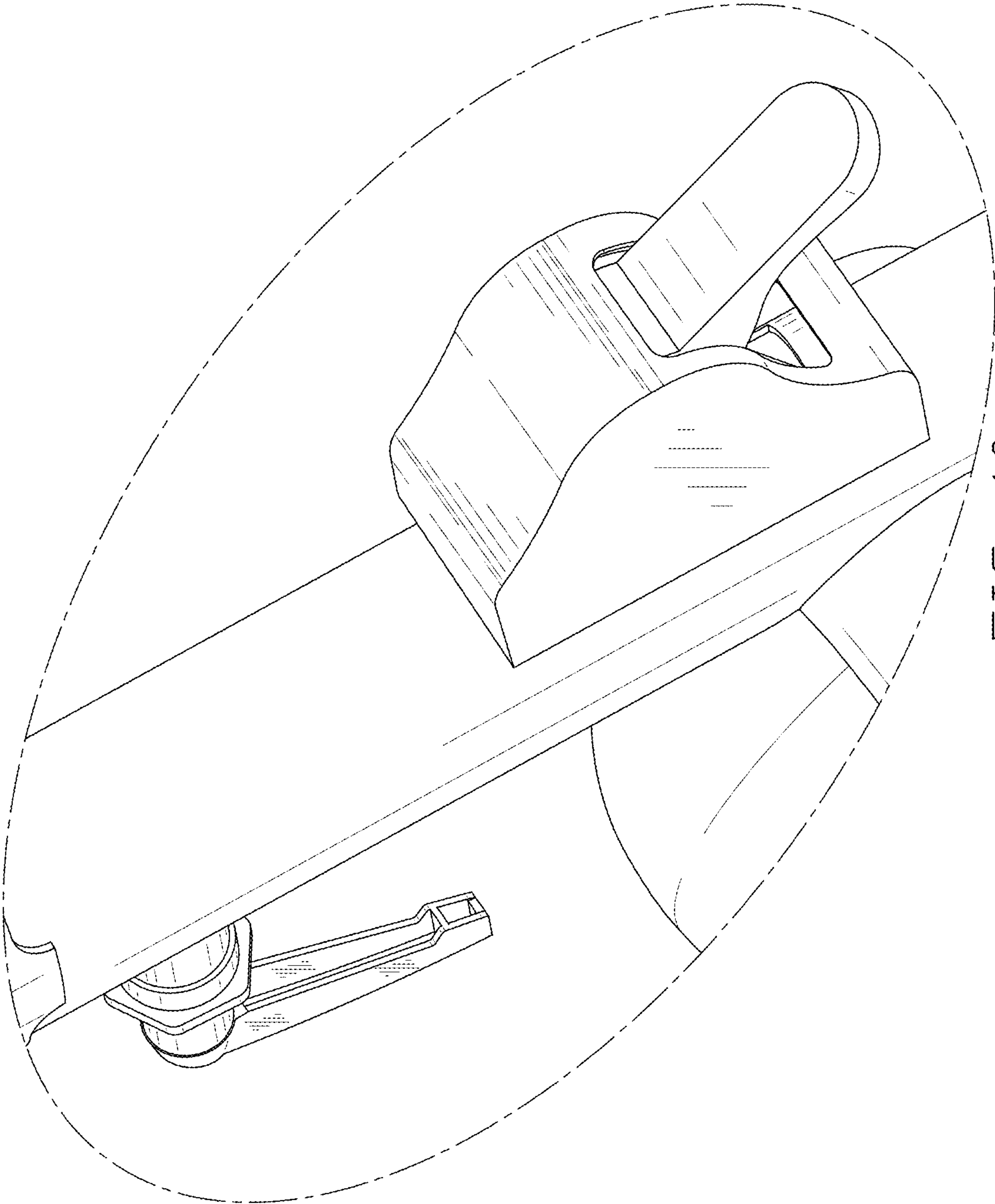


FIG. 10

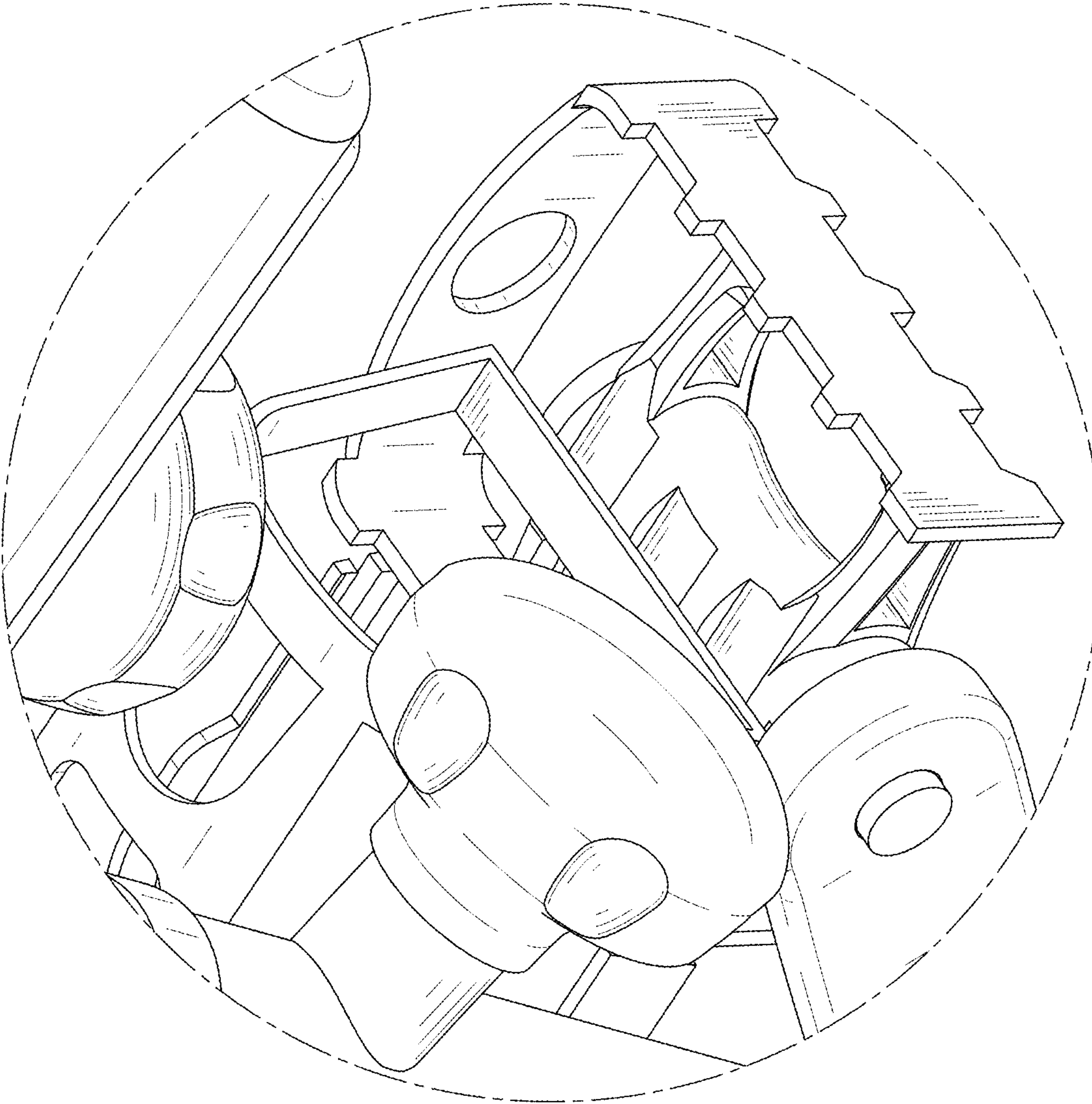


FIG. 11

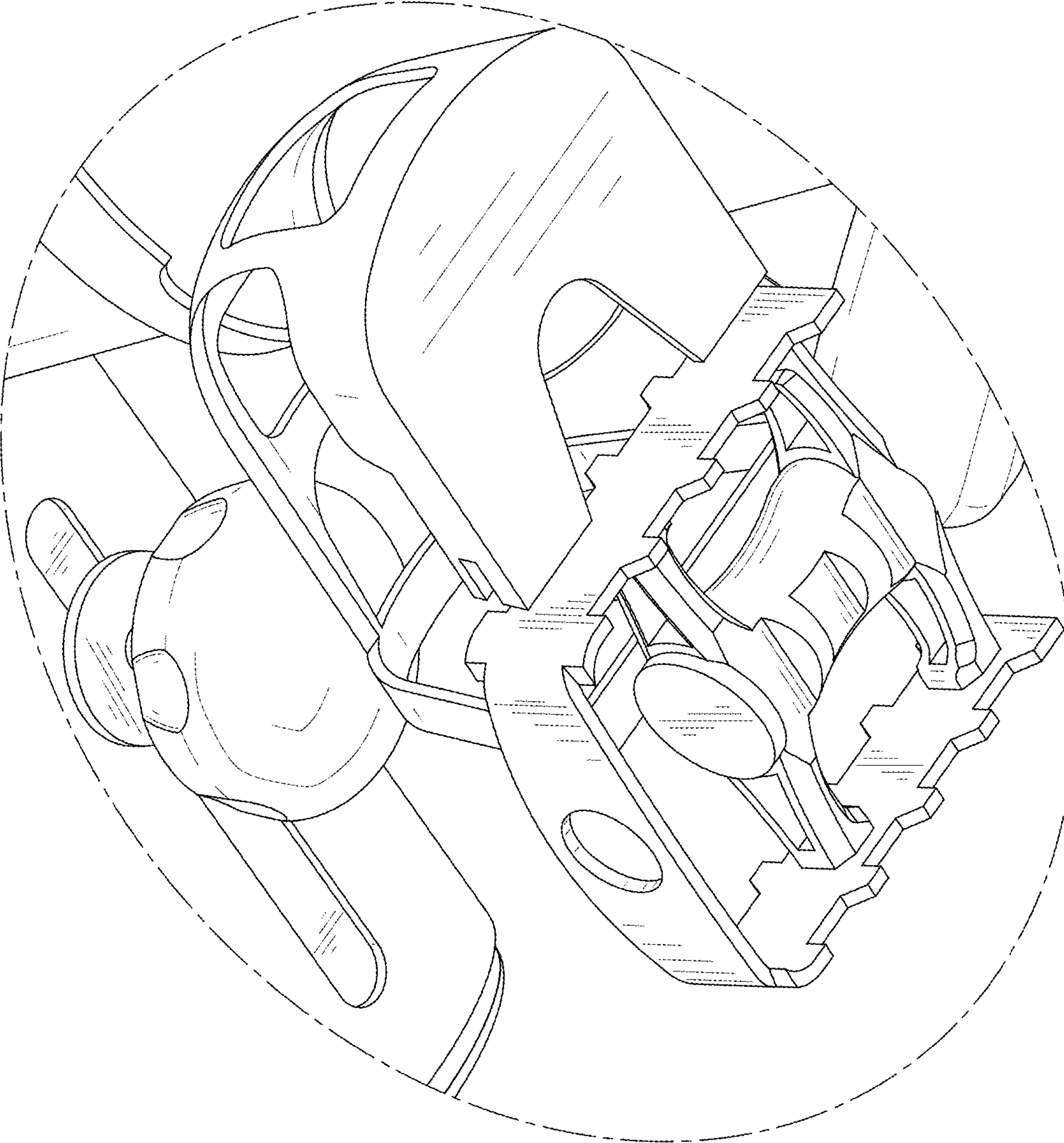


FIG. 12