



US00D965705S

(12) **United States Design Patent** (10) **Patent No.:** **US D965,705 S**
Yang (45) **Date of Patent:** **** Oct. 4, 2022**

(54) **HULA RING**

FOREIGN PATENT DOCUMENTS

(71) Applicant: **Zhigang Yang**, Zhejiang (CN)
(72) Inventor: **Zhigang Yang**, Zhejiang (CN)
(**) Term: **15 Years**
(21) Appl. No.: **29/802,566**
(22) Filed: **Aug. 5, 2021**
(51) **LOC (13) Cl.** **21-02**
(52) **U.S. Cl.**
USPC **D21/662; D21/457; D21/683**
(58) **Field of Classification Search**
USPC **D21/457, 466, 662, 672, 680, 683, 691, 601/23, 121, 124**
CPC **A63B 19/00; A63B 19/02; A63B 21/0004; A63B 21/0608; A63B 21/0609; A63B 21/0618; A63B 21/065; A63B 21/22; A63B 21/222; A63B 21/4009; A63B 21/4025; A63B 23/0205; A63B 23/0211; A63B 2213/00; A61H 15/0028**
See application file for complete search history.

CN	204092930	U	*	1/2015	
CN	111202942	A	*	5/2020 A61H 7/001
CN	305837835		*	6/2020	
CN	306262731		*	1/2021	
CN	306360291		*	3/2021	
CN	306392671		*	3/2021	
CN	306404276		*	3/2021	
CN	213077317	U	*	4/2021	
CN	306443856		*	4/2021	
CN	306462736		*	4/2021	
CN	306481519		*	4/2021	
CN	213313130	U	*	6/2021	
CN	213466630	U	*	6/2021	
CN	213553523	U	*	6/2021	
CN	213555118	U	*	6/2021	
CN	306621915		*	6/2021	
CN	213789772	U	*	7/2021	
EM	008641351-0001		*	8/2021	

* cited by examiner

Primary Examiner — Catherine A Tuttle

(57) **CLAIM**

The ornamental design for a hula ring, as shown and described.

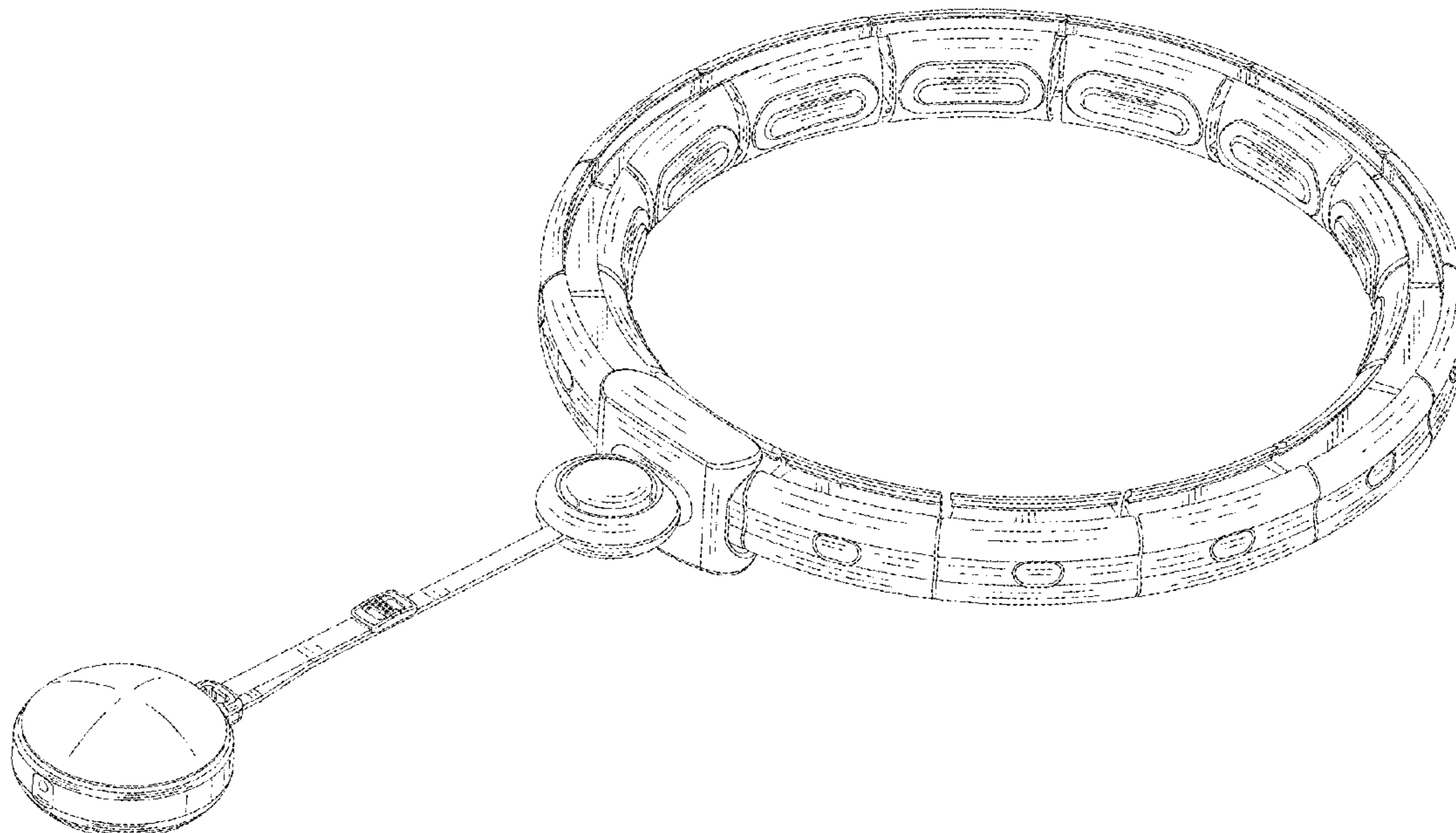
DESCRIPTION

FIG. 1 is a perspective view of a hula ring showing my new design;
FIG. 2 is a front elevational view thereof;
FIG. 3 is a rear elevational view thereof;
FIG. 4 is a left side elevational view thereof;
FIG. 5 is a right side elevational view thereof;
FIG. 6 is a top plan view thereof; and,
FIG. 7 is a bottom plan view thereof.
The dotted lines in FIG. 3 depict the portions of the hula ring that form no part of the claimed design.

1 Claim, 7 Drawing Sheets

(56) **References Cited**
U.S. PATENT DOCUMENTS

D753,533	S	4/2016	Roth	
D783,388	S	4/2017	Marshall et al.	
D847,910	S	5/2019	Yoon	
D919,713	S	5/2021	Terry	
D937,357	S	* 11/2021	Ju D21/457
11,173,336	B1	* 11/2021	Xu A63B 21/0608
D954,857	S	* 6/2022	Yang D21/662
2014/0342882	A1	* 11/2014	Huang A63B 21/222
				482/110
2017/0100620	A1	* 4/2017	Hsiao A63B 21/0618



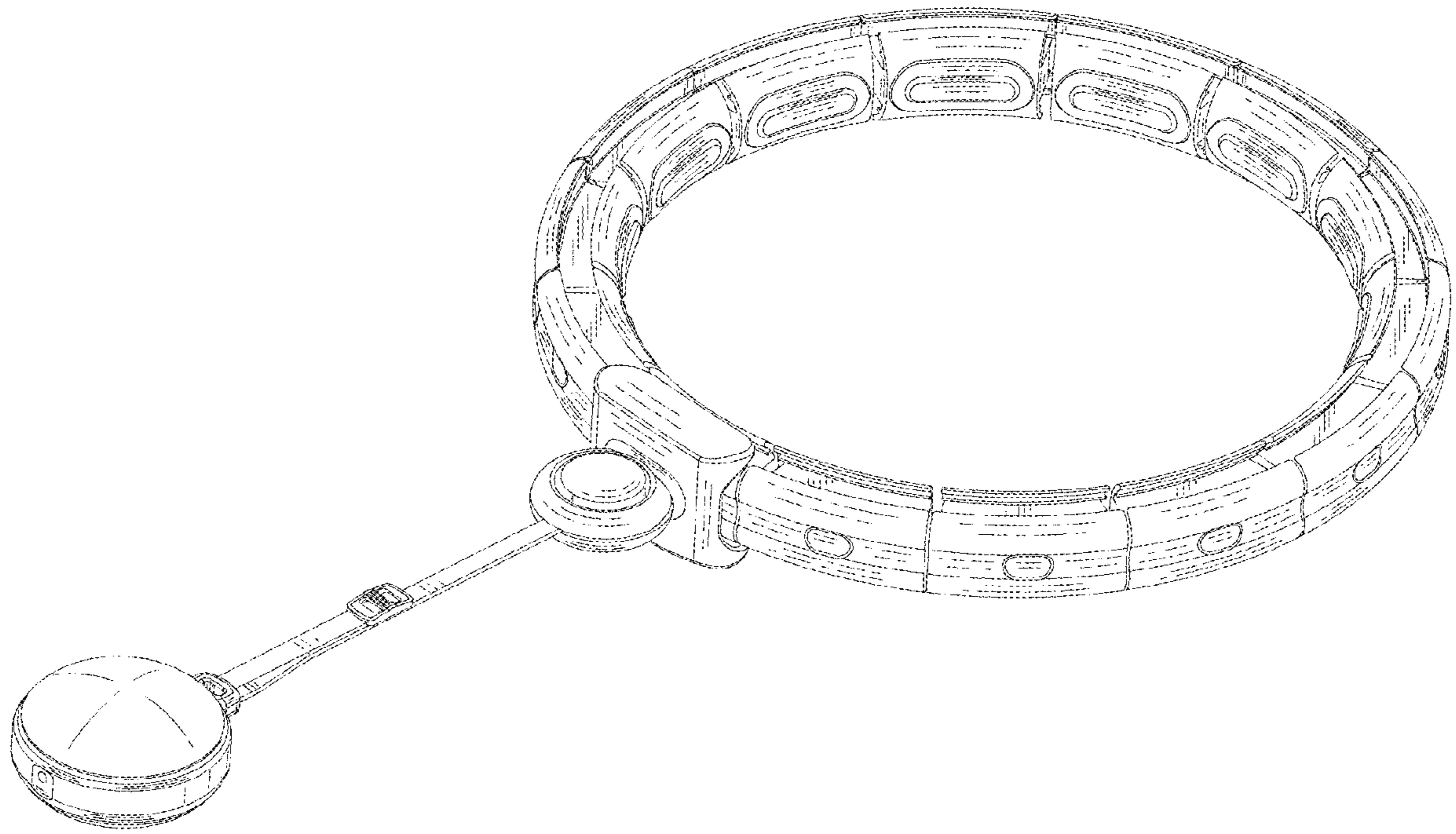


FIG.1

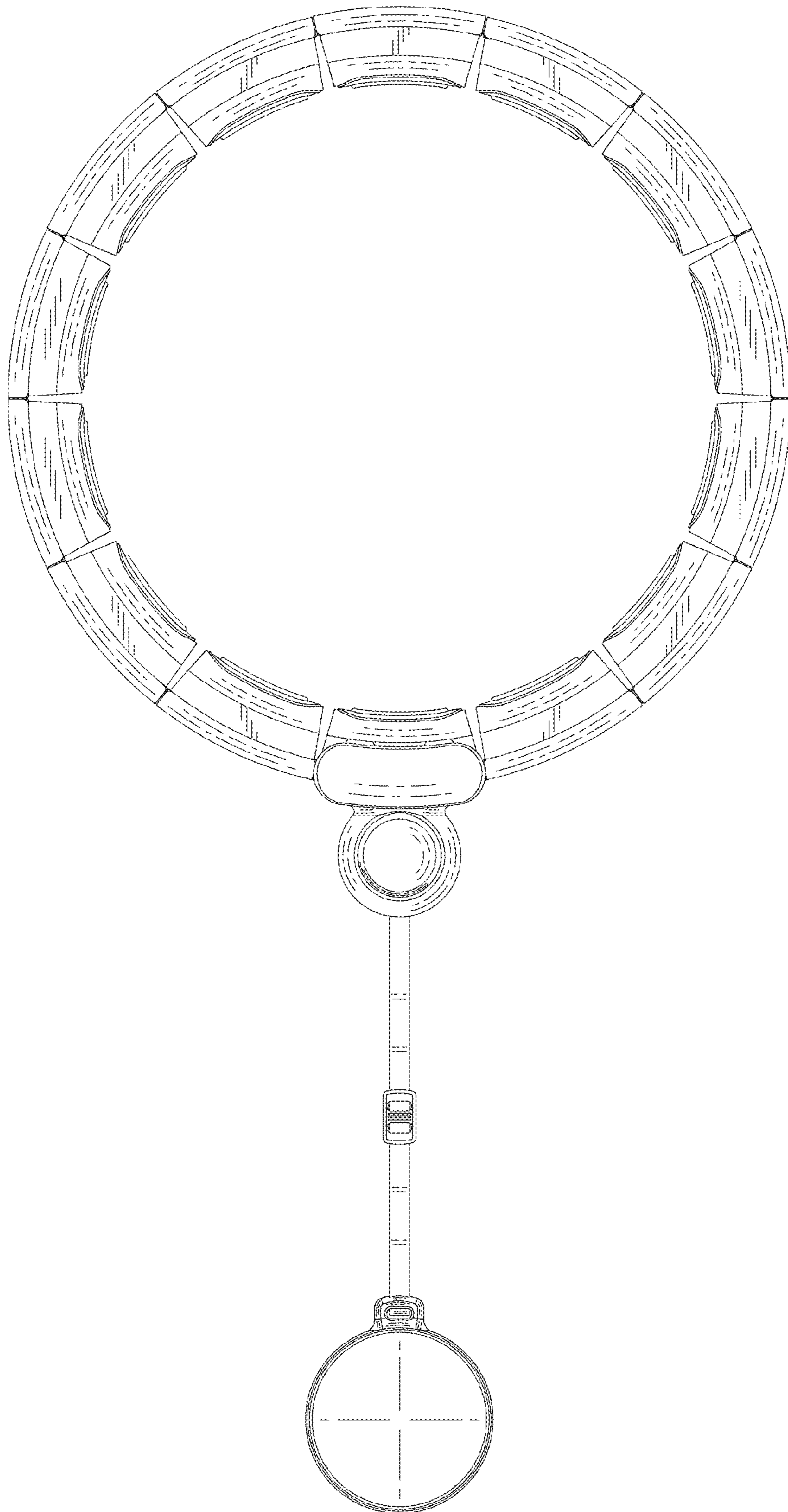


FIG. 2

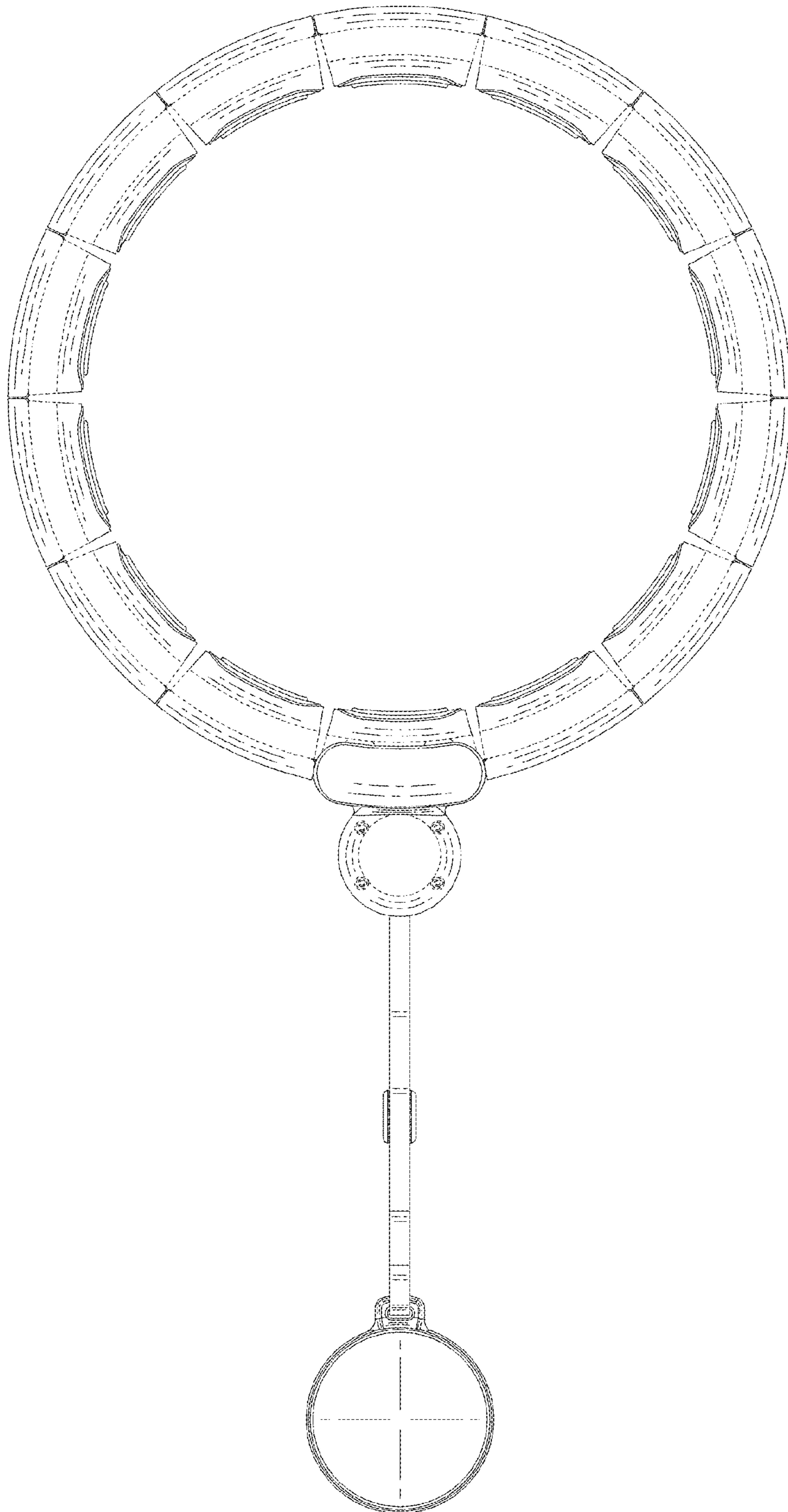


FIG.3

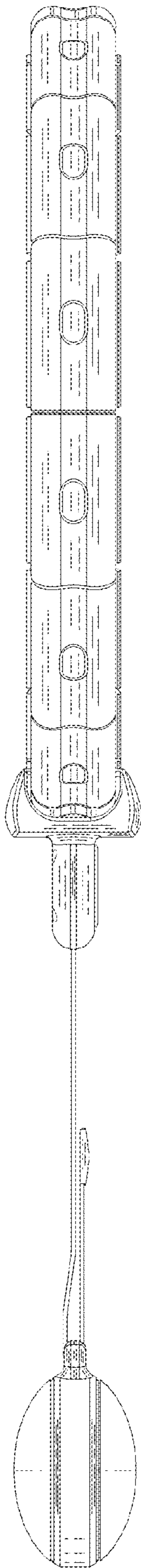


FIG.4

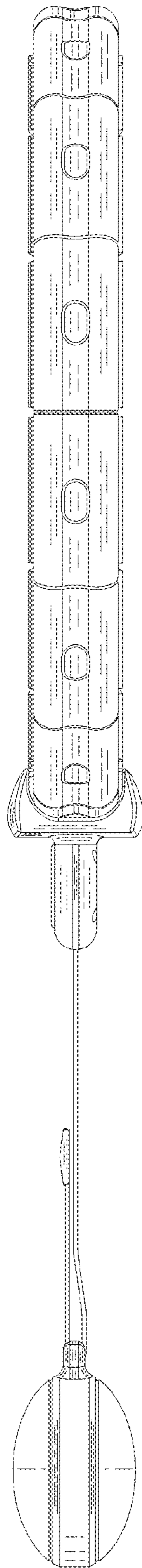


FIG.5

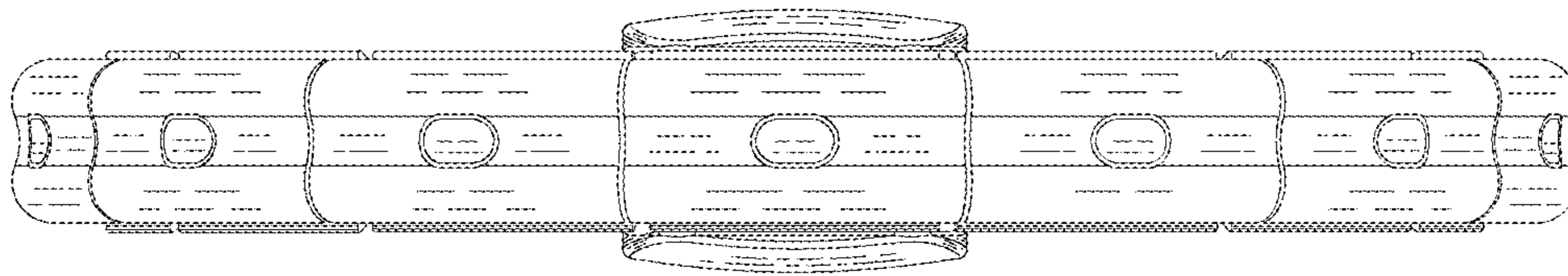


FIG.6

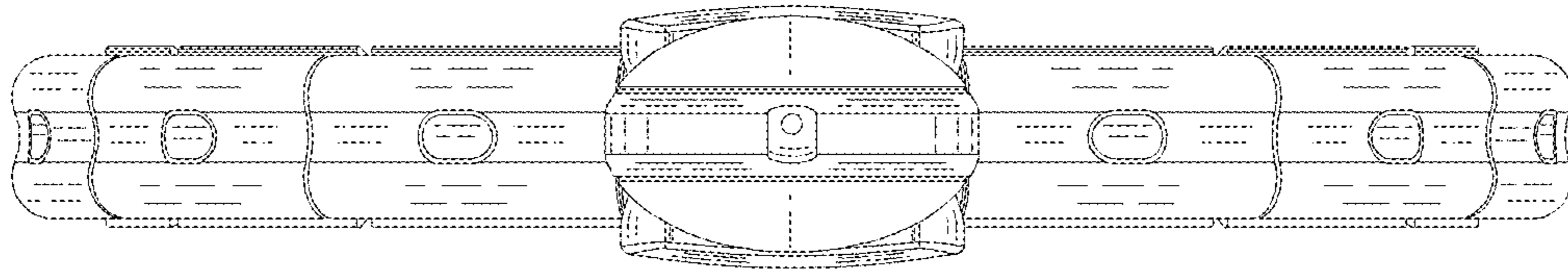


FIG.7