



US00D965704S

(12) **United States Design Patent**
Karvandi

(10) **Patent No.:** **US D965,704 S**

(45) **Date of Patent:** **** Oct. 4, 2022**

(54) **EXERCISE STRAP**

(71) Applicant: **Orangutan Organization, Inc.**,
Walpole, MA (US)

(72) Inventor: **Kusha Karvandi**, Scottsdale, AZ (US)

(73) Assignee: **ORANGUTAN ORGANIZATION,
INC.**, Walpole, MA (US)

(**) Term: **15 Years**

(21) Appl. No.: **29/730,813**

(22) Filed: **Apr. 8, 2020**

(51) **LOC (13) Cl.** **21-02**

(52) **U.S. Cl.**
USPC **D21/662**

(58) **Field of Classification Search**
USPC D2/610, 617, 619, 624, 626, 627, 629,
D2/640, 701, 703, 902; D3/215, 221;
(Continued)

(56) **References Cited**

U.S. PATENT DOCUMENTS

3,100,484 A * 8/1963 Berl A61G 5/10
D2/627
3,255,749 A * 6/1966 Smithers A61F 13/0273
(Continued)

FOREIGN PATENT DOCUMENTS

GB 6138091 * 5/2021

OTHER PUBLICATIONS

BFR Bands Blood Flow Restriction Bands, first available Oct. 12,
2016, www.amazon.com [online], site visited [Feb. 12, 2022],
Available from internet URL:<https://amzn.to/3BeMiAF> (Year: 2016).*

(Continued)

Primary Examiner — Jack Reickel

Assistant Examiner — Salamah Jordan

(74) *Attorney, Agent, or Firm* — Brooks Kushman P.C.

(57) **CLAIM**

The ornamental design for an exercise strap, as shown and described.

DESCRIPTION

FIG. 1 is a front perspective view of the exercise strap showing my new design;

FIG. 2 is a front elevation view thereof;

FIG. 3 is a rear elevation view thereof;

FIG. 4 is a left side elevation view thereof, the right side elevation view being an identical image thereof;

FIG. 5 is a top plan view thereof, the bottom plan view being a mirror image thereof;

FIG. 6 is an enlarged detail front elevation view indicated by line 6-6 of FIG. 2;

FIG. 7 is an enlarged detail rear elevation view indicated by line 7-7 of FIG. 3;

FIG. 8 is an enlarged front elevation view of the repeating stitch pattern of the exercise strap indicated by line 8-8 of FIG. 6; and,

FIG. 9 is an enlarged rear elevation view of the repeating stitch pattern of the exercise strap indicated by line 9-9 of FIG. 7.

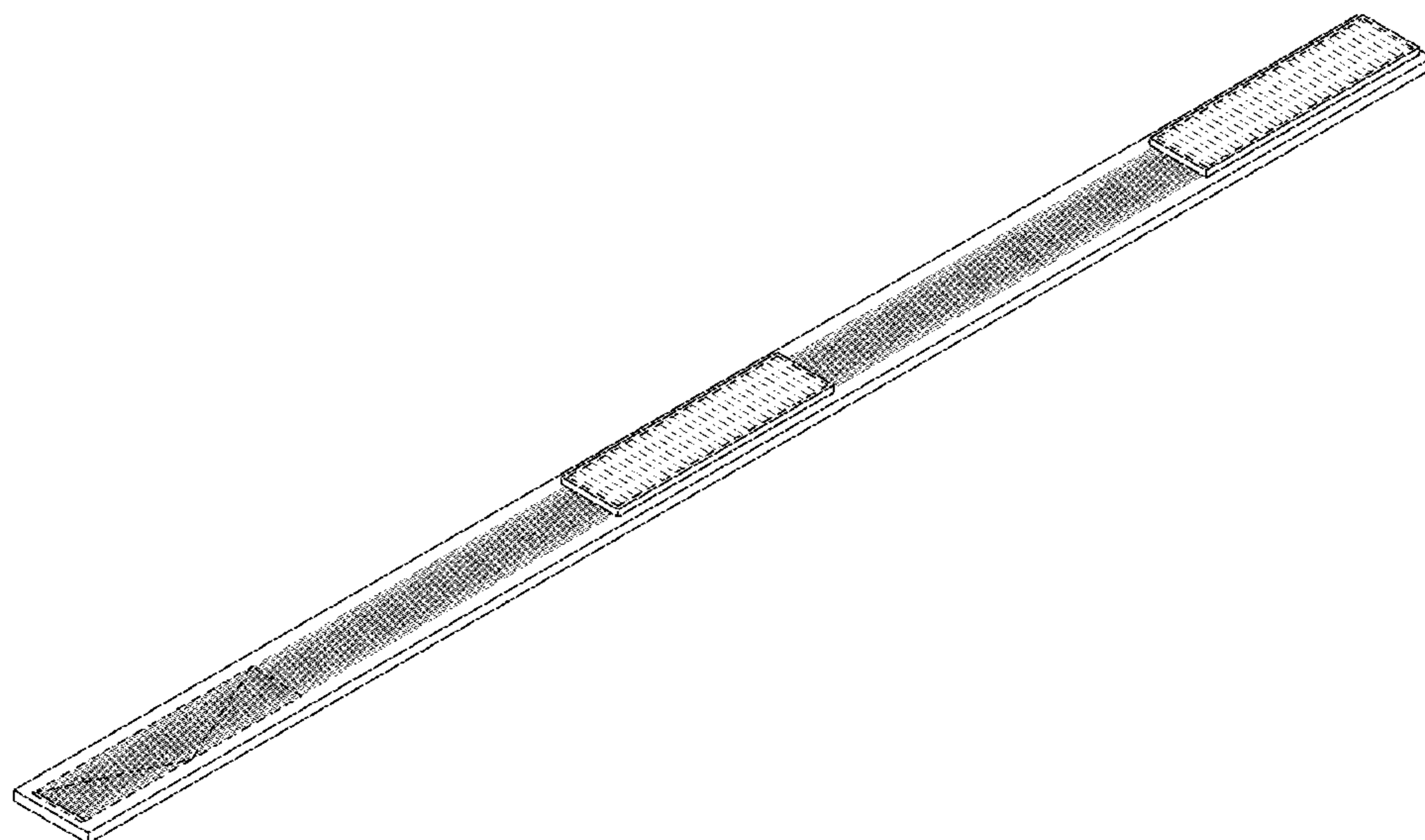
The thin short broken lines forming a rectangle in FIG. 3 define the bounds of the claimed design and form no part thereof.

The thick elongated dashed lines forming rectangles in FIGS. 1-3 and 6-7 and the thick diagonal elongated dashed lines within these rectangles in FIGS. 1-3 indicate stitching lines and are distinguishable from the thin weight broken lines in FIG. 3, and form part of the claimed design.

The thin elongated dashes of FIGS. 2-3 indicate the appearance of a cooperating hook and loop fastener, and form part of the claimed design.

The dash dot dash lines of FIGS. 6-9 illustrate the enlarged view of the figures and form no part of the claim.

1 Claim, 4 Drawing Sheets



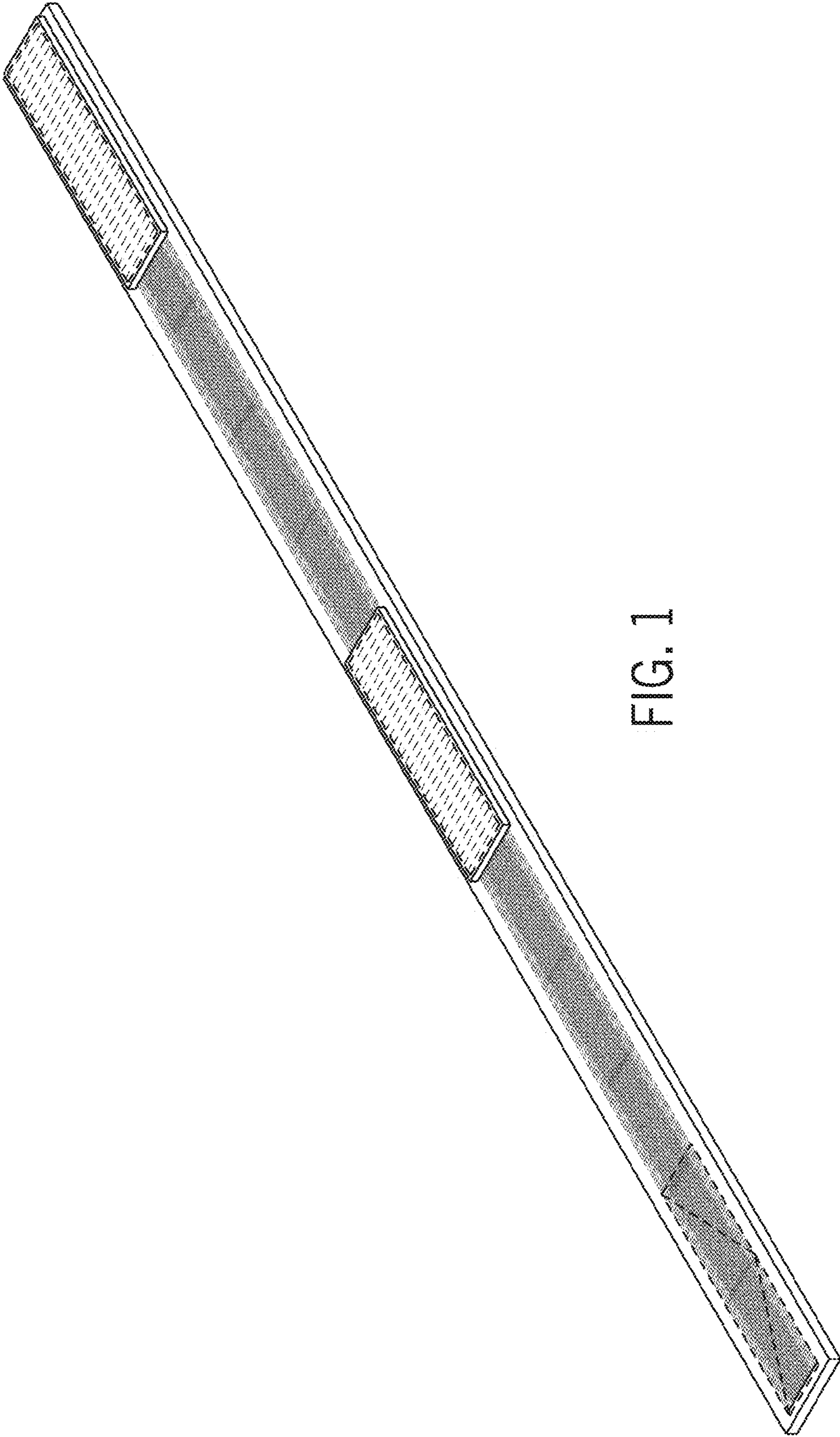


FIG. 1

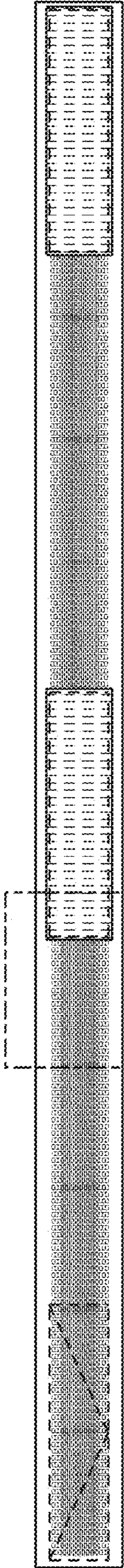


FIG. 2

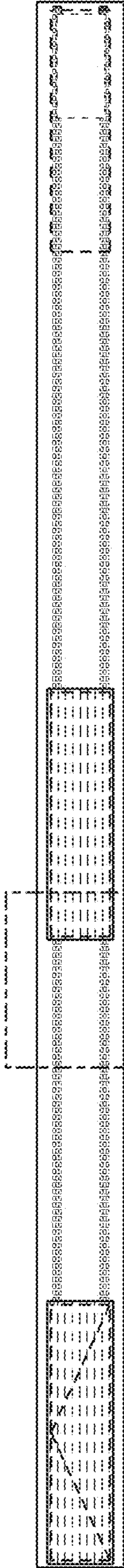
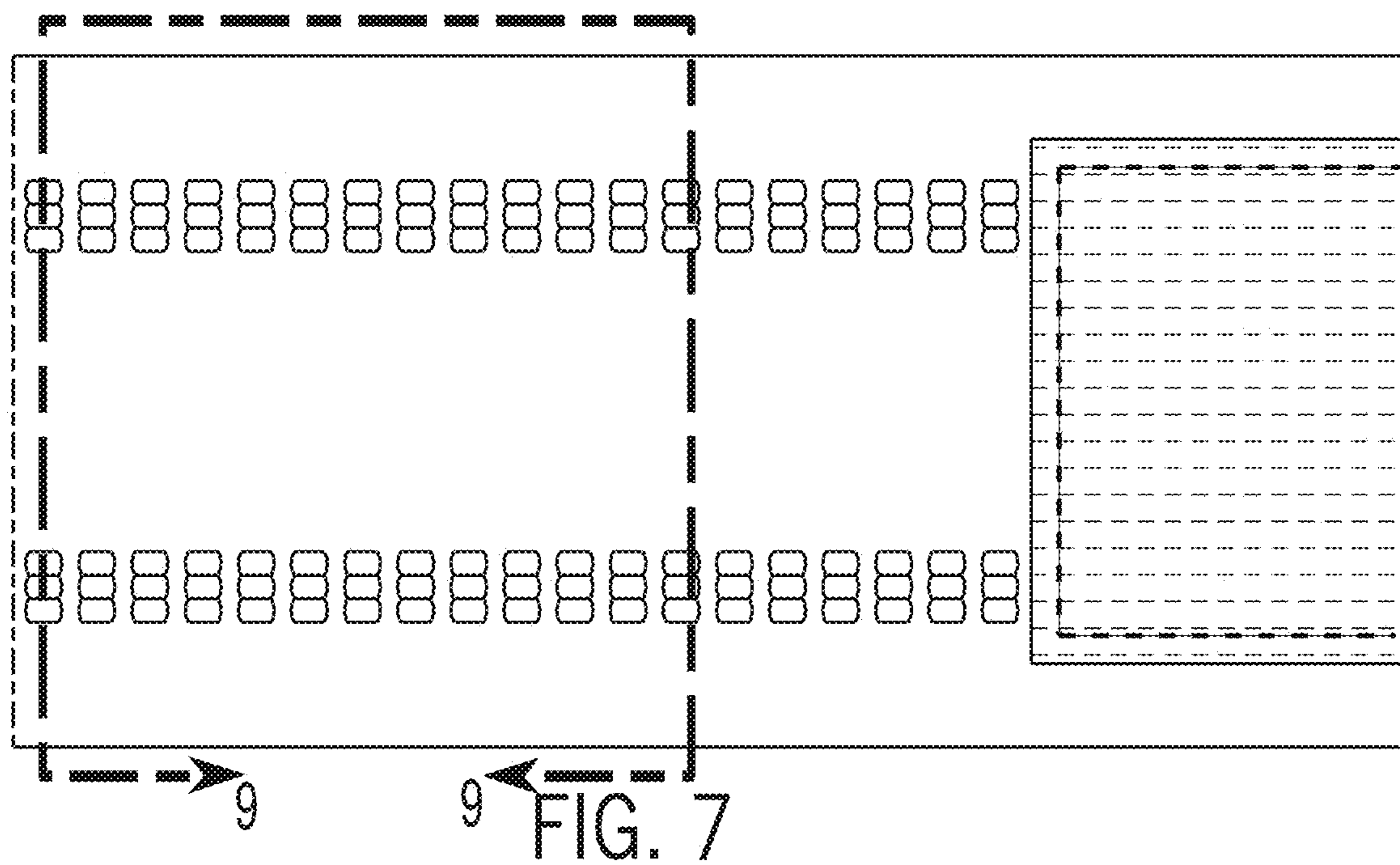
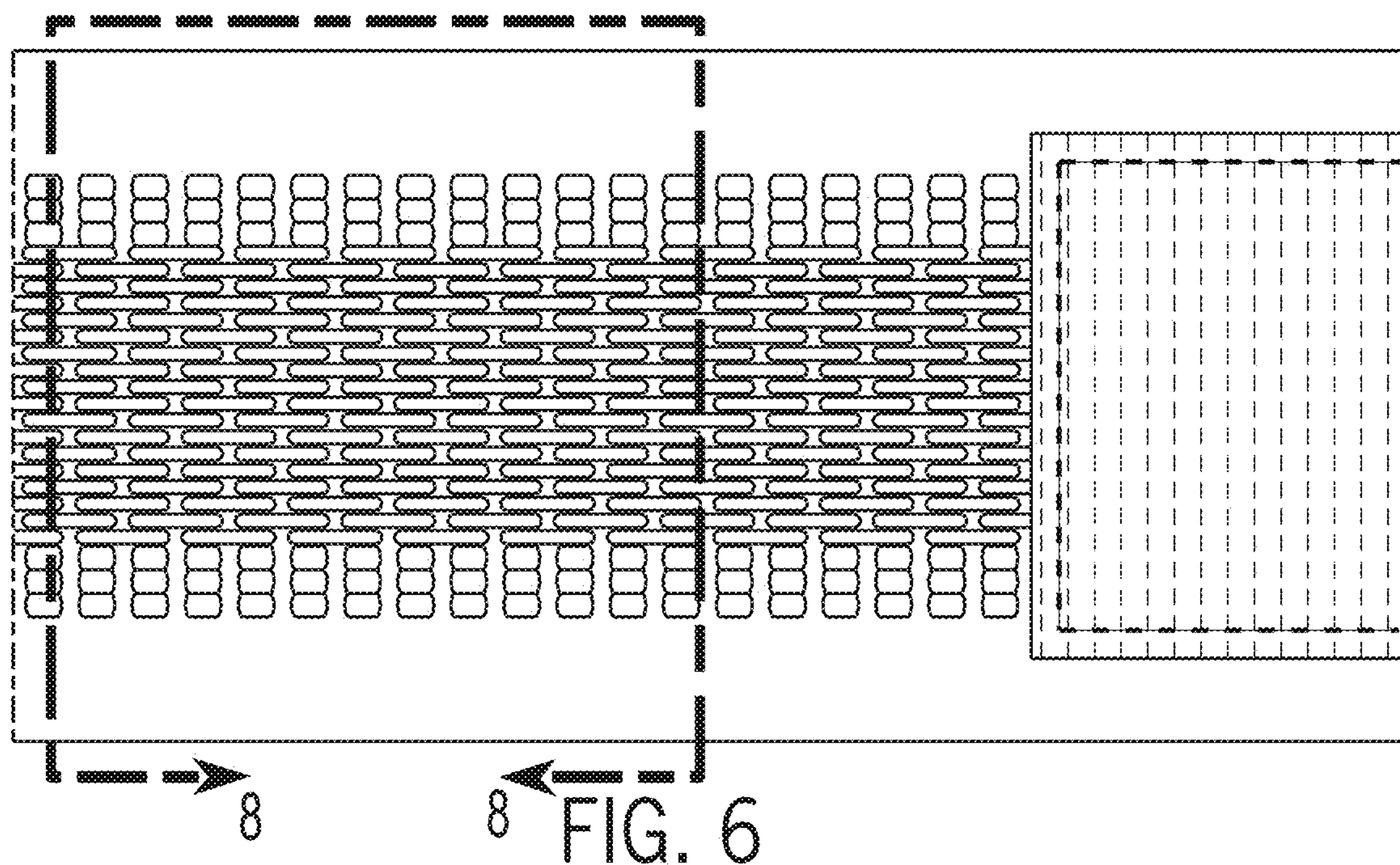


FIG. 3

FIG. 4



FIG. 5



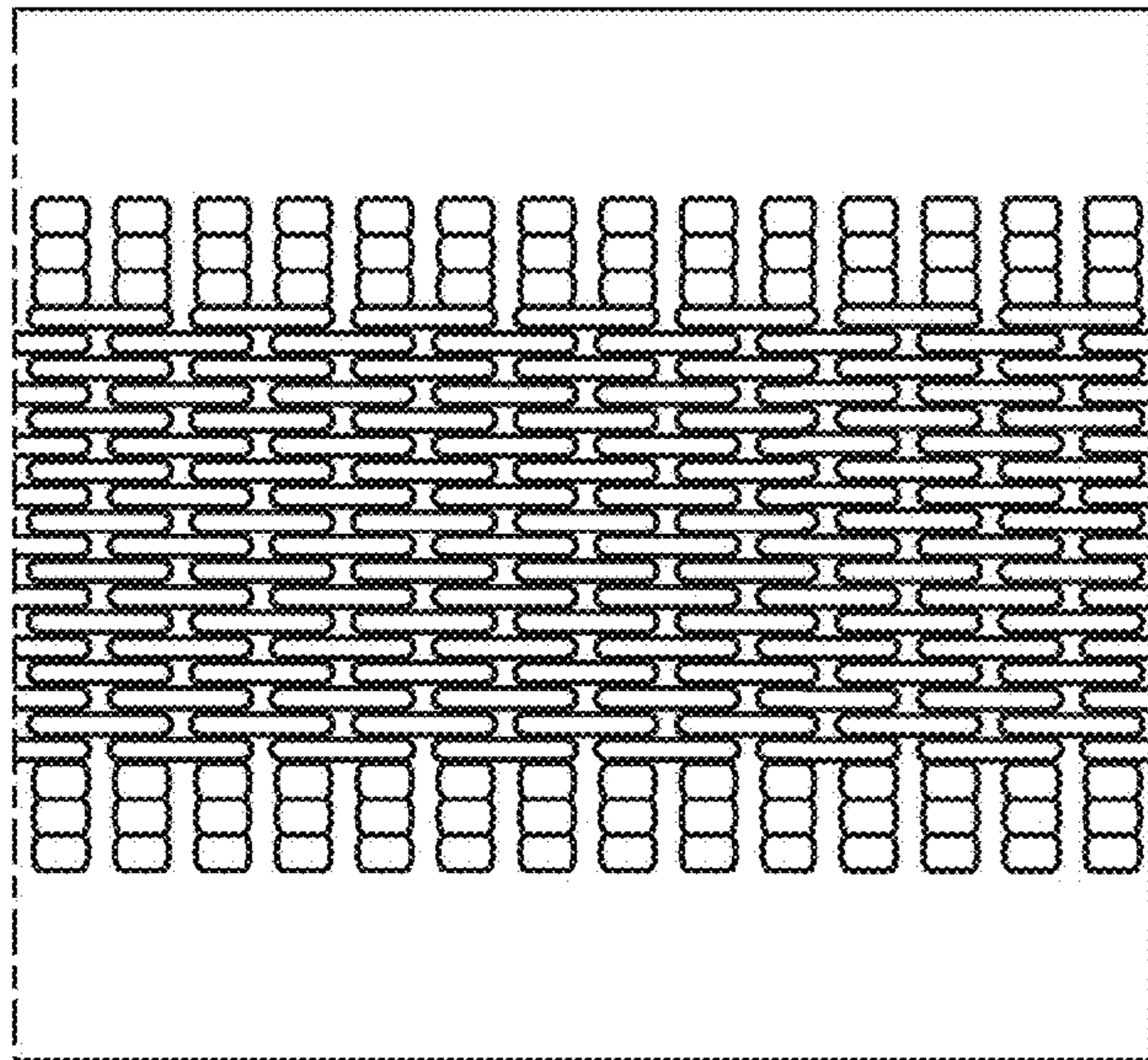


FIG. 8

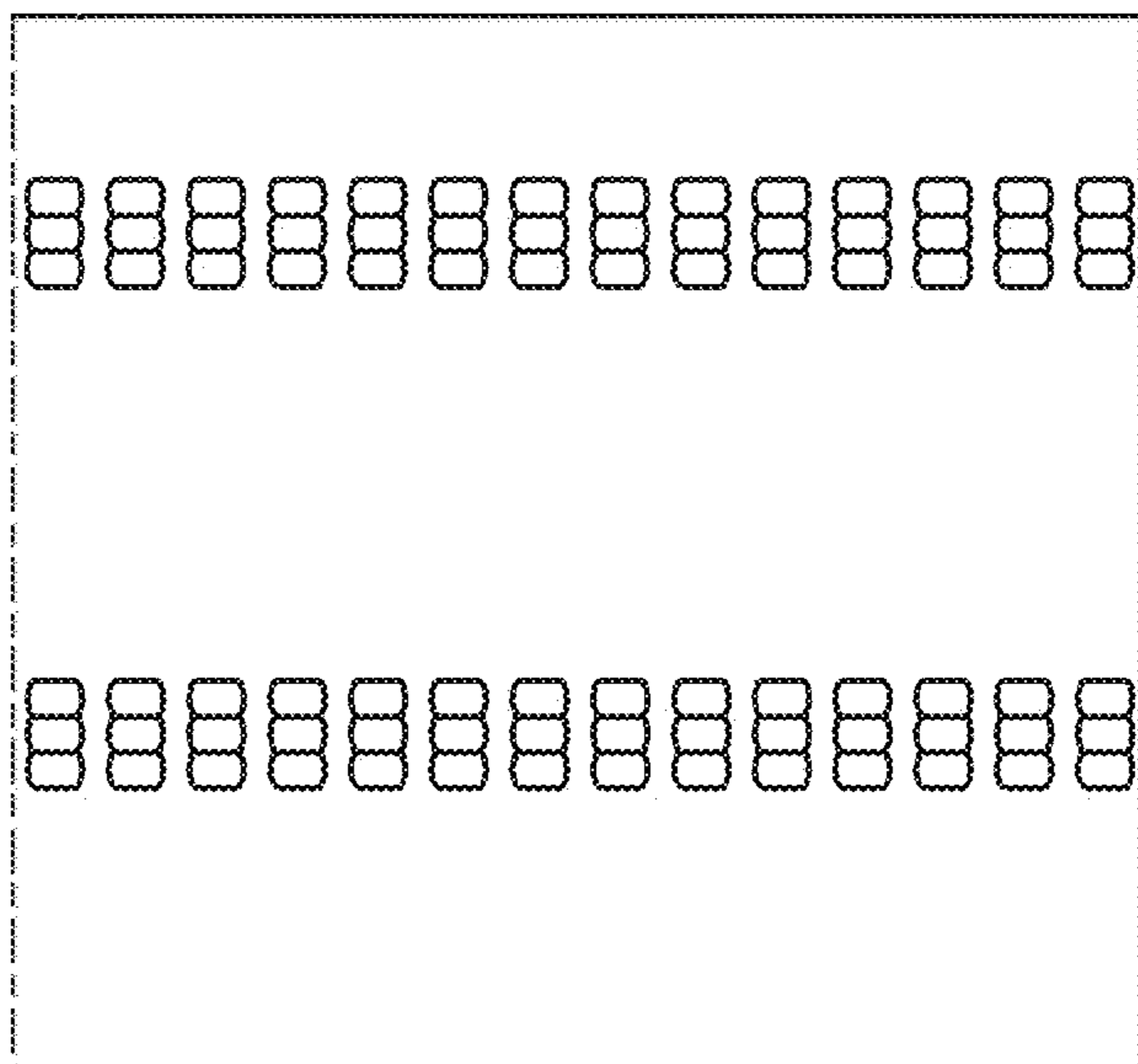


FIG. 9