



US00D965701S

(12) **United States Design Patent** (10) **Patent No.:** **US D965,701 S**  
**Wood et al.** (45) **Date of Patent:** **\*\* Oct. 4, 2022**

(54) **MODEL VEHICLE BODY**

D425,446 S 5/2000 Schnell  
D566,790 S \* 4/2008 Idiot ..... A63H 17/262  
D21/552

(71) Applicant: **TRAXXAS LP**, McKinney, TX (US)

D567,885 S 4/2008 Amadio et al.  
(Continued)

(72) Inventors: **Jonathan Scott Wood**, Frisco, TX (US); **Casey Christen Jens Christensen**, McKinney, TX (US); **Otto Karl Allmendinger**, Rowlett, TX (US); **Jaime Felix Barajas**, Dallas, TX (US); **Kent Poteet**, Lucas, TX (US); **Jory Sprowl**, Honey Grove, TX (US); **Kevin Nichols**, Farmersville, TX (US)

**FOREIGN PATENT DOCUMENTS**

CA 118631 \* 3/2008 ..... B60G 7/001  
CN 3428372 \* 2/2005  
(Continued)

**OTHER PUBLICATIONS**

(73) Assignee: **TRAXXAS, L.P.**, McKinney, TX (US)

“2011 International Durastar 4000,” 2011, phoenixtruxx.com, site visited Dec. 14, 2021, URL: [https://www.phoenixtruxx.com/details-2011-international-durastar\\_4000-2dr\\_extended\\_cab\\_long\\_chassis\\_drw-used-3hammaal8bl384549.html](https://www.phoenixtruxx.com/details-2011-international-durastar_4000-2dr_extended_cab_long_chassis_drw-used-3hammaal8bl384549.html) (Year: 2011).\*

(\*\*) Term: **15 Years**

(Continued)

(21) Appl. No.: **29/714,360**

(22) Filed: **Nov. 22, 2019**

*Primary Examiner* — Eric L Goodman

(51) **LOC (13) Cl.** ..... **21-01**

*Assistant Examiner* — Sarah L Smith

(52) **U.S. Cl.**

(74) *Attorney, Agent, or Firm* — Daryl R. Wright; Greg Carr

USPC ..... **D21/562**; D21/533; D21/552

(58) **Field of Classification Search**

USPC .... D21/433, 552, 562, 548; D12/86, 89, 90, D12/91, 92, 93, 98

CPC .... A63H 17/004; A63H 17/00; A63H 17/262; A63H 30/04; A63H 30/00; B60G

2200/422; B60G 2204/143; B60K 17/30

See application file for complete search history.

**CLAIM**

(57)

We claim the ornamental design for a model vehicle body, as shown and described.

(56) **References Cited**

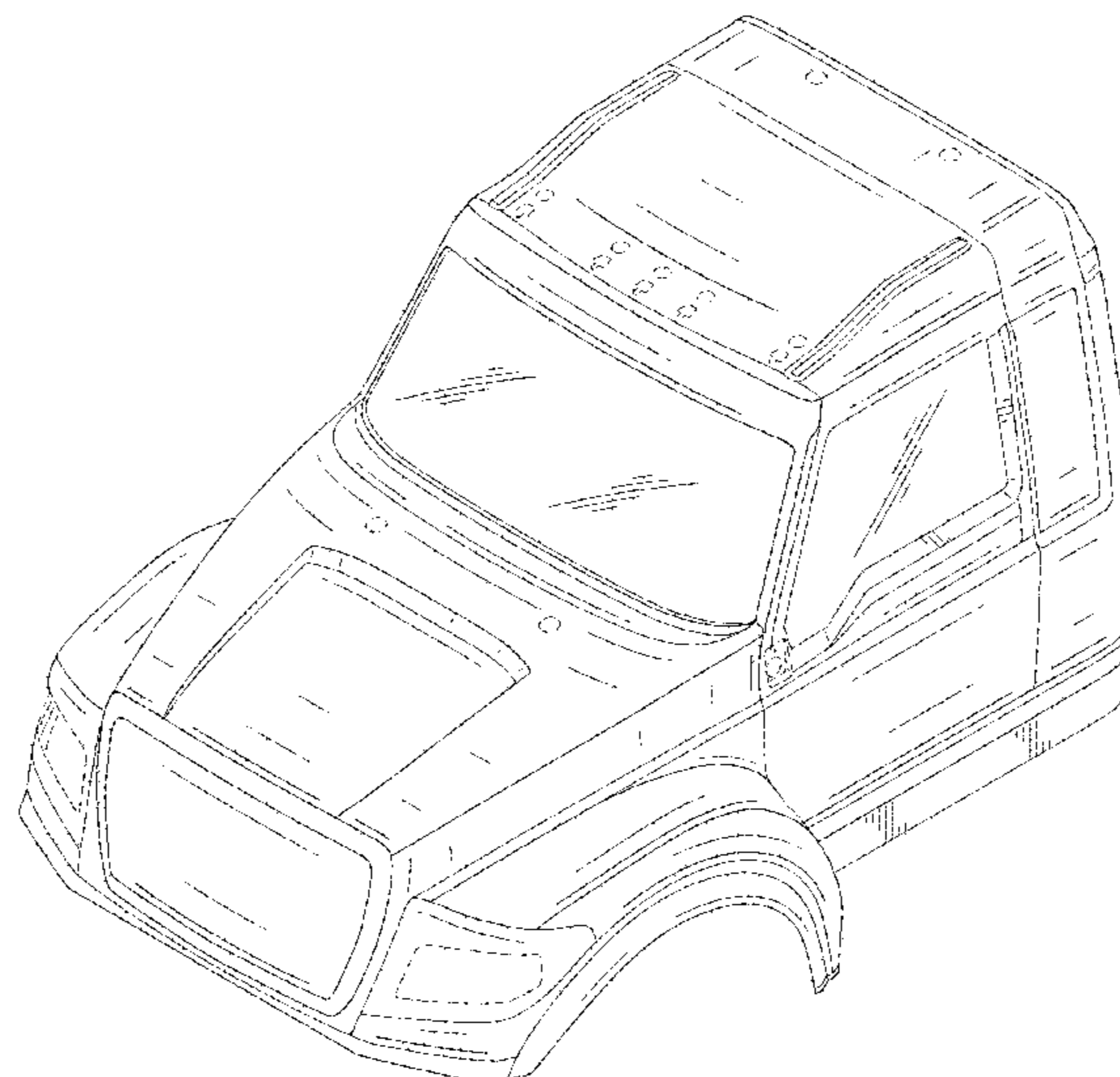
**U.S. PATENT DOCUMENTS**

D246,480 S 11/1977 Asano  
D252,226 S 6/1979 Asano  
D252,229 S 6/1979 Asano  
D266,756 S 11/1982 Magnini  
4,889,515 A 12/1989 Auer et al.  
D330,663 S 11/1992 Copeland  
D363,323 S 10/1995 Thomsen  
D384,998 S 10/1997 Host

**DESCRIPTION**

FIG. 1 is an upper, left, front perspective view of a model vehicle body, showing our new design; FIG. 2 is front elevation view thereof; FIG. 3 is a rear elevation view thereof; FIG. 4 is a left side elevation view thereof; FIG. 5 is a right side elevation view thereof; FIG. 6 is a top plan view thereof; and, FIG. 7 is a bottom plan view of a model vehicle body. In the drawings, the broken lines illustrate portions of a model vehicle body that form no part of the claimed design.

**1 Claim, 5 Drawing Sheets**



(56)

References Cited

U.S. PATENT DOCUMENTS

D802,685 S \* 11/2017 Barajas ..... D21/562  
 D823,169 S 7/2018 Odabasi Uyanik et al.  
 D828,225 S 9/2018 Zhang et al.  
 D832,368 S \* 10/2018 Barajas ..... D21/561  
 D847,724 S \* 5/2019 Sprowl ..... D12/401  
 D862,610 S \* 10/2019 Barajas ..... D21/548  
 D862,611 S \* 10/2019 Barajas ..... D21/548  
 D871,513 S 12/2019 Chen  
 D875,647 S \* 2/2020 Barajas ..... D12/548  
 D876,555 S \* 2/2020 Barajas ..... D21/548  
 D904,531 S \* 12/2020 Barajas ..... D21/552  
 D921,772 S \* 6/2021 Hagler ..... D21/561  
 D921,773 S \* 6/2021 Hagler ..... D21/561  
 D930,087 S \* 9/2021 Barajas ..... D21/562  
 D930,760 S \* 9/2021 Ewing ..... D21/562  
 D931,385 S \* 9/2021 Sprowl ..... A63H 31/08  
 D935,531 S \* 11/2021 Barajas ..... A63H 17/262  
 D21/548  
 2012/0094574 A1 \* 4/2012 Grisolia ..... A63H 17/262  
 446/437  
 2016/0038846 A1 \* 2/2016 Colquhoun ..... A63H 17/262  
 446/465  
 2017/0080350 A1 \* 3/2017 Allmendinger ..... A63H 17/26  
 2021/0046395 A1 \* 2/2021 Allmendinger ..... A63H 31/08  
 2021/0283518 A1 \* 9/2021 Wang ..... A63H 18/16

FOREIGN PATENT DOCUMENTS

CN 300793013 \* 6/2008  
 CN 109621444 A \* 4/2019  
 WO WO-2021046302 A1 \* 3/2021 ..... B60G 7/001

OTHER PUBLICATIONS

“Greenlight—International Durastar 4400 Flatbed Truck (2013) 29766/48,” 2013, toywonders.com, site visited Dec. 14, 2021, URL: <https://www.toywonders.com/productcart/pc/Greenlight-International-Durastar-4400-Flatbed-Truck-2013-1-64-scale-diecast-model-car-White-29766-48-46p14519.htm> (Year: 2013).  
 “2018 Hino 268—Jerr-Dan Rollback Tow Truck,” 2018, commercialtrucksofflorida.com, site visited Dec. 14, 2021, URL: <https://www.commercialtrucksofflorida.com/listings/2018-hino-268-jerr-dan-rollback-tow-truck-2/> (Year: 2018).  
 ERTL 1/64th John Deere Peterbilt Flatbed Truck, Nov. 29, 2016, Amazon.com, URL: <https://www.amazon.com/Deere-Peterbilt-Flatbed-Truck-Skidsteer/dp/B00U9QW5XU> (Year: 2016).  
 Walthers International(R) 7600 3-AXLE Flatbed Truck, Dec. 7, 2018, Amazon.com, URL: <https://www.amazon.com/INTERNATIONAL-3-AXLE-FLATBED-TRUCK-MAINTENANCE/dp/B077LFJN5Q> (Year: 2018).  
 Friction Powered Flatbed Truck with Excavator Tractor, Aug. 30, 2018, Amazon.com, URL: <https://www.amazon.com/dp/B076PJPBTN> (Year: 2018).

\* cited by examiner

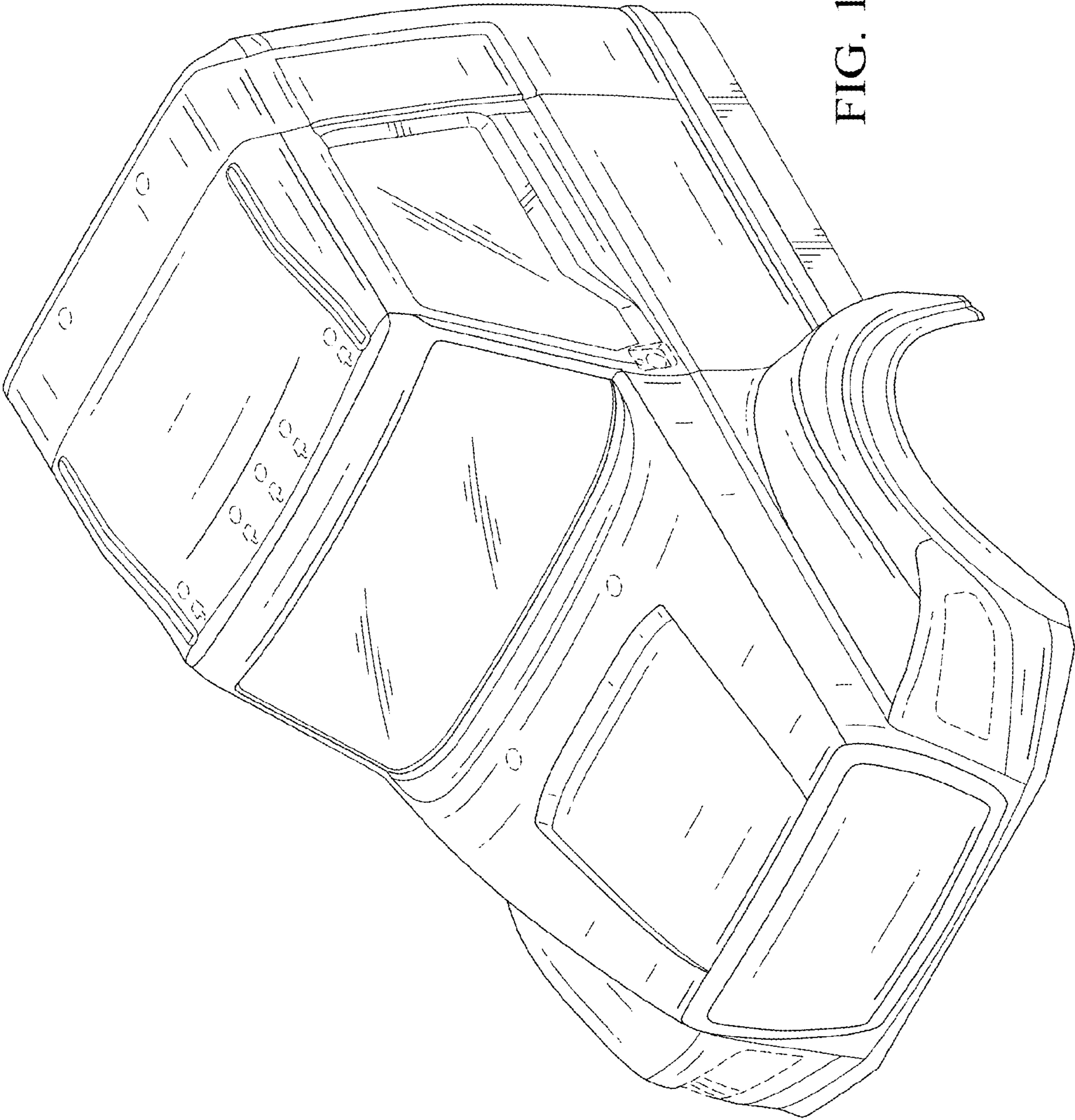


FIG. 1

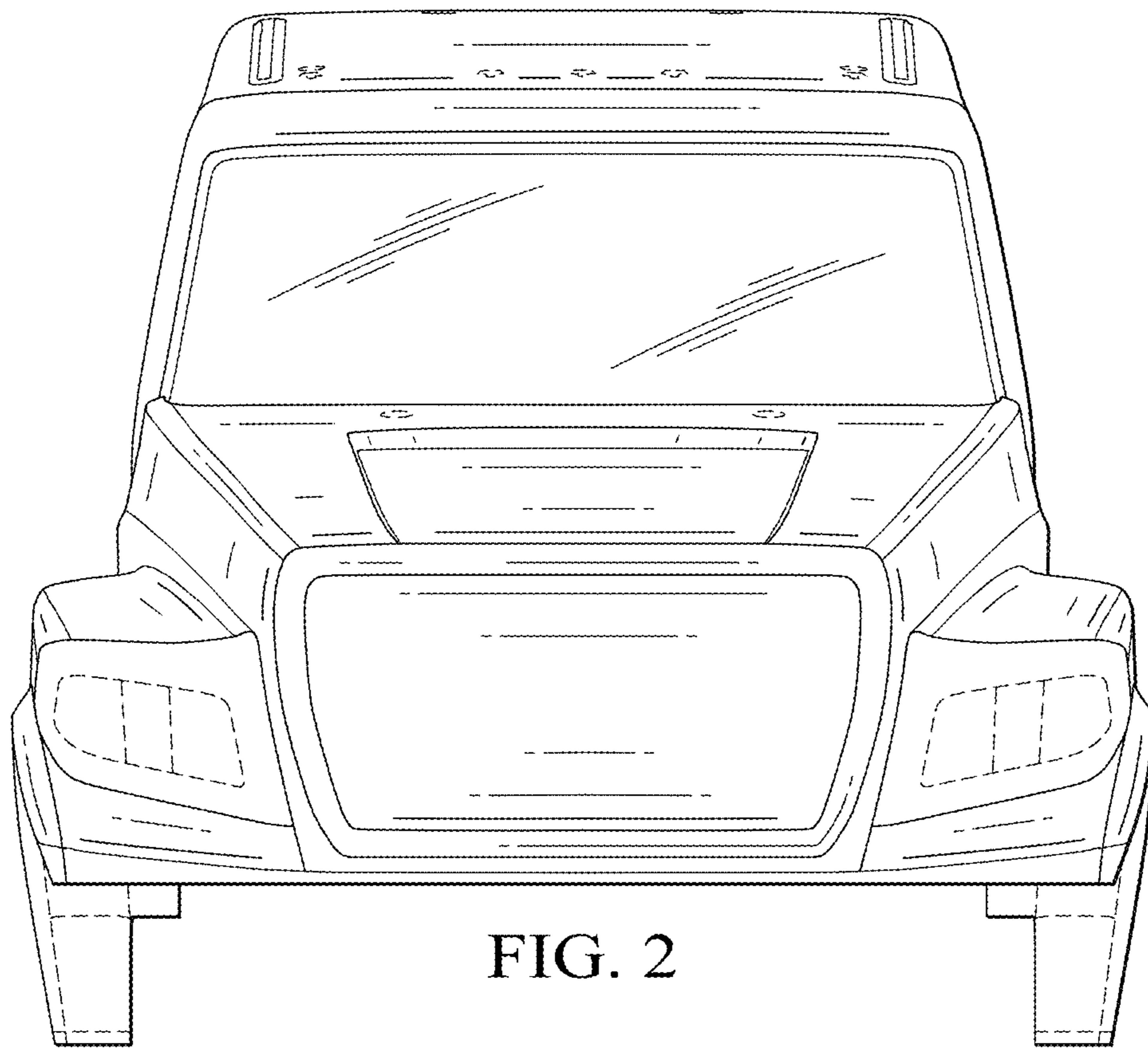


FIG. 2

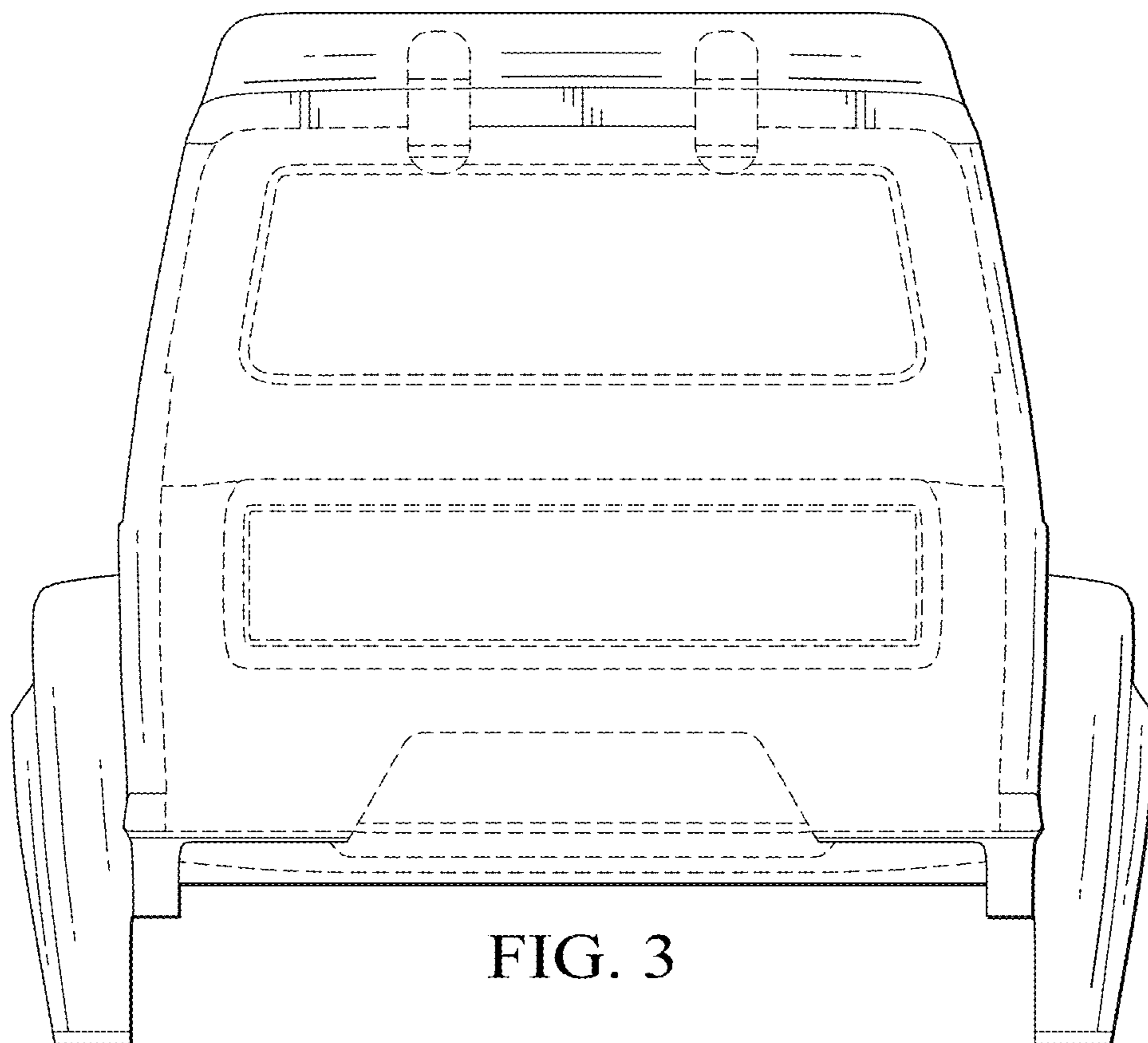


FIG. 3

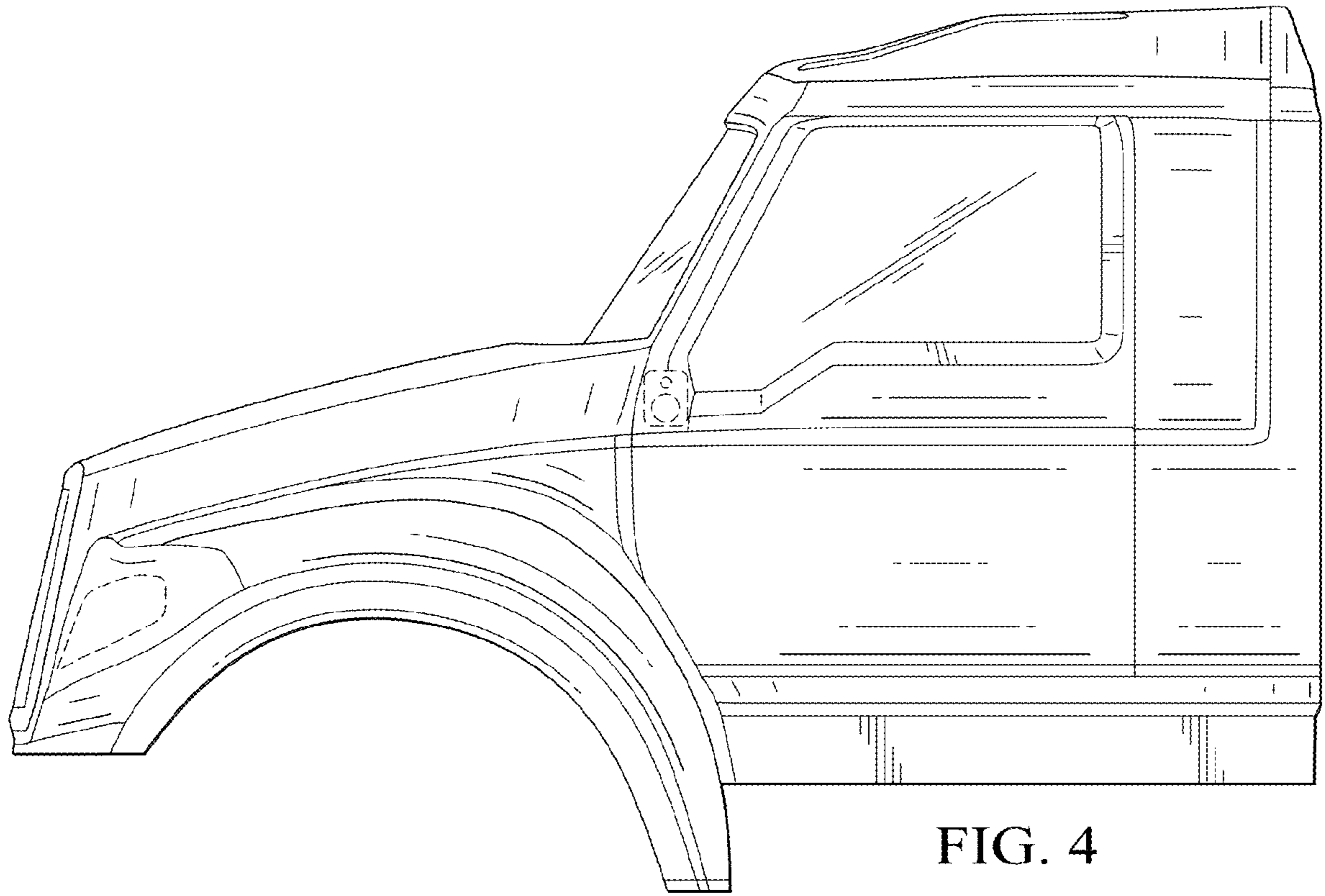


FIG. 4

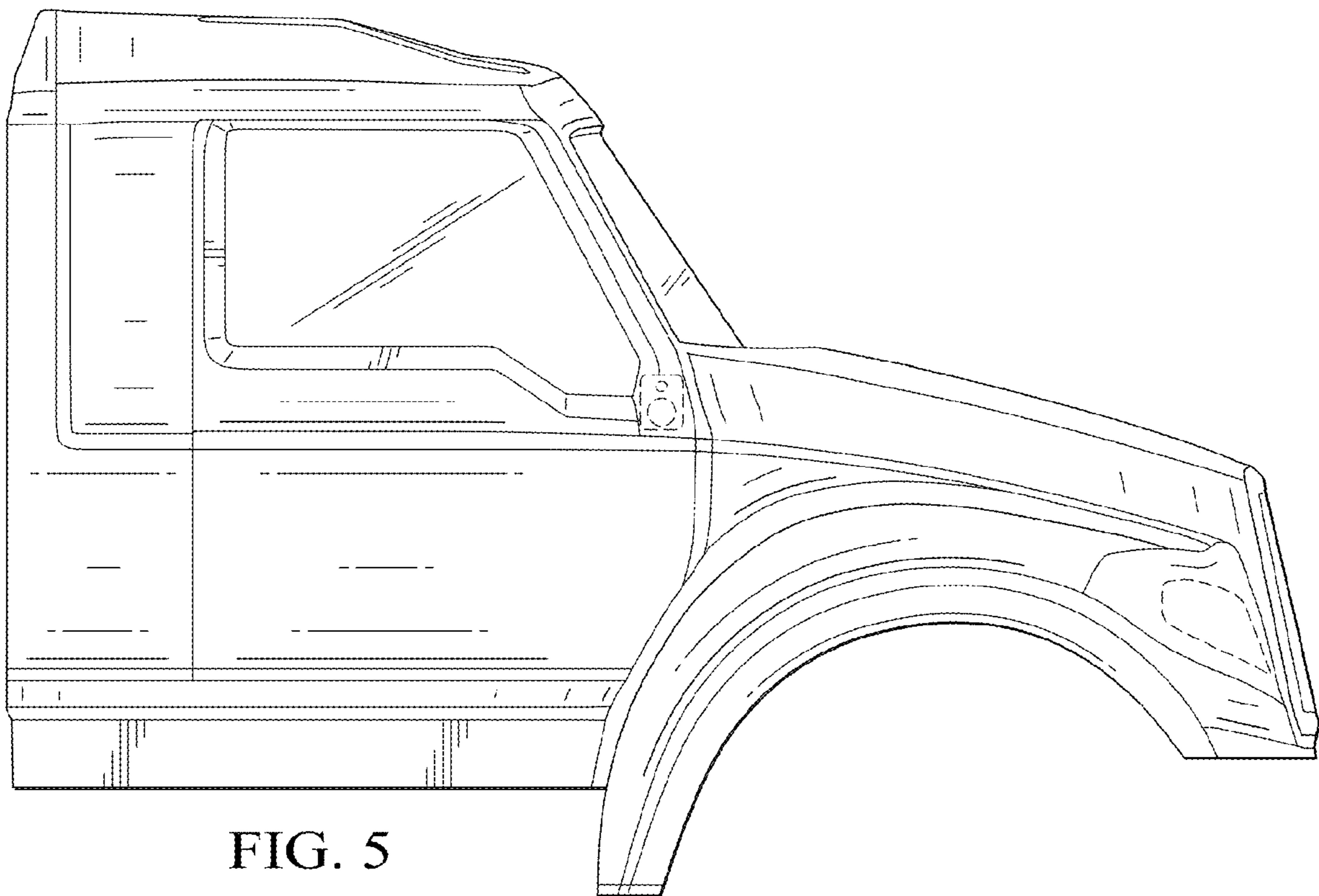


FIG. 5

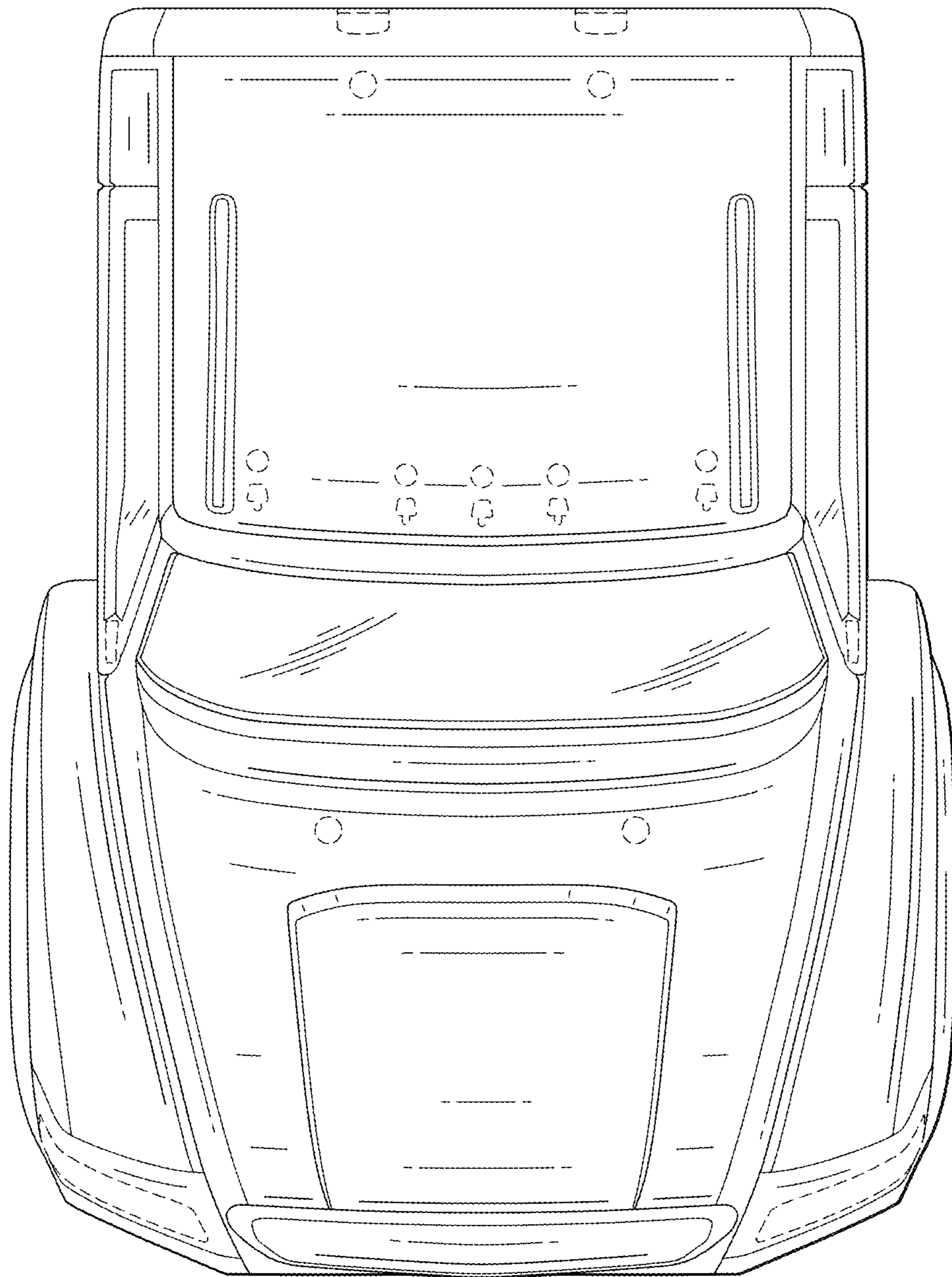


FIG. 6



FIG. 7