



US00D965700S

(12) **United States Design Patent**
Liu

(10) **Patent No.:** **US D965,700 S**

(45) **Date of Patent:** **** *Oct. 4, 2022**

(54) **SMALL CONSTRUCTION VEHICLE**

(71) Applicant: **Wen-Rui Liu**, Shantou (CN)

(72) Inventor: **Wen-Rui Liu**, Shantou (CN)

(73) Assignee: **SHANTOU JIABAILE BABY PRODUCTS CO. LTD.**, Shantou (CN)

(*) Notice: This patent is subject to a terminal disclaimer.

(**) Term: **15 Years**

(21) Appl. No.: **29/687,016**

(22) Filed: **Apr. 10, 2019**

(51) **LOC (13) Cl.** **21-01**

(52) **U.S. Cl.**
USPC **D21/537**; D21/431

(58) **Field of Classification Search**
USPC D21/424, 431, 484, 533, 537, 553, 554,
D21/539, 562; D15/22-30
CPC A63H 17/00; A63H 17/05; A63H 17/055;
A63H 17/06; A63H 17/08; A63H 17/12;
A63H 33/003
See application file for complete search history.

(56) **References Cited**

U.S. PATENT DOCUMENTS

D191,793 S * 11/1961 Alvaney D21/539
D236,703 S * 9/1975 Baker D12/1
3,937,289 A * 2/1976 Dickinson B62D 11/00
180/9.44
D243,266 S * 2/1977 Breneman D21/537

D246,479 S * 11/1977 Asano D21/537
D250,907 S * 1/1979 Appel D21/539
D252,228 S * 6/1979 Asano D21/537
D260,792 S * 9/1981 Jones D12/12
D261,787 S * 11/1981 Breneman D21/537
D287,522 S * 12/1986 Blumenthal D21/537
D288,341 S * 2/1987 Ohno D21/580
D398,944 S * 9/1998 Park D21/537
D401,292 S * 11/1998 Park D21/537
5,921,843 A * 7/1999 Skrivan A63H 17/14
446/431
D424,130 S * 5/2000 Wei D21/537
D552,692 S * 10/2007 Stern D21/554
D678,425 S * 3/2013 Foster D21/537
D678,426 S * 3/2013 Lee D21/552
D767,690 S * 9/2016 Ewringmann D21/431
D804,585 S * 12/2017 Belker D21/562
D810,839 S * 2/2018 Belker D21/561
D827,049 S * 8/2018 Flores D21/537

* cited by examiner

Primary Examiner — Mark A Goodwin

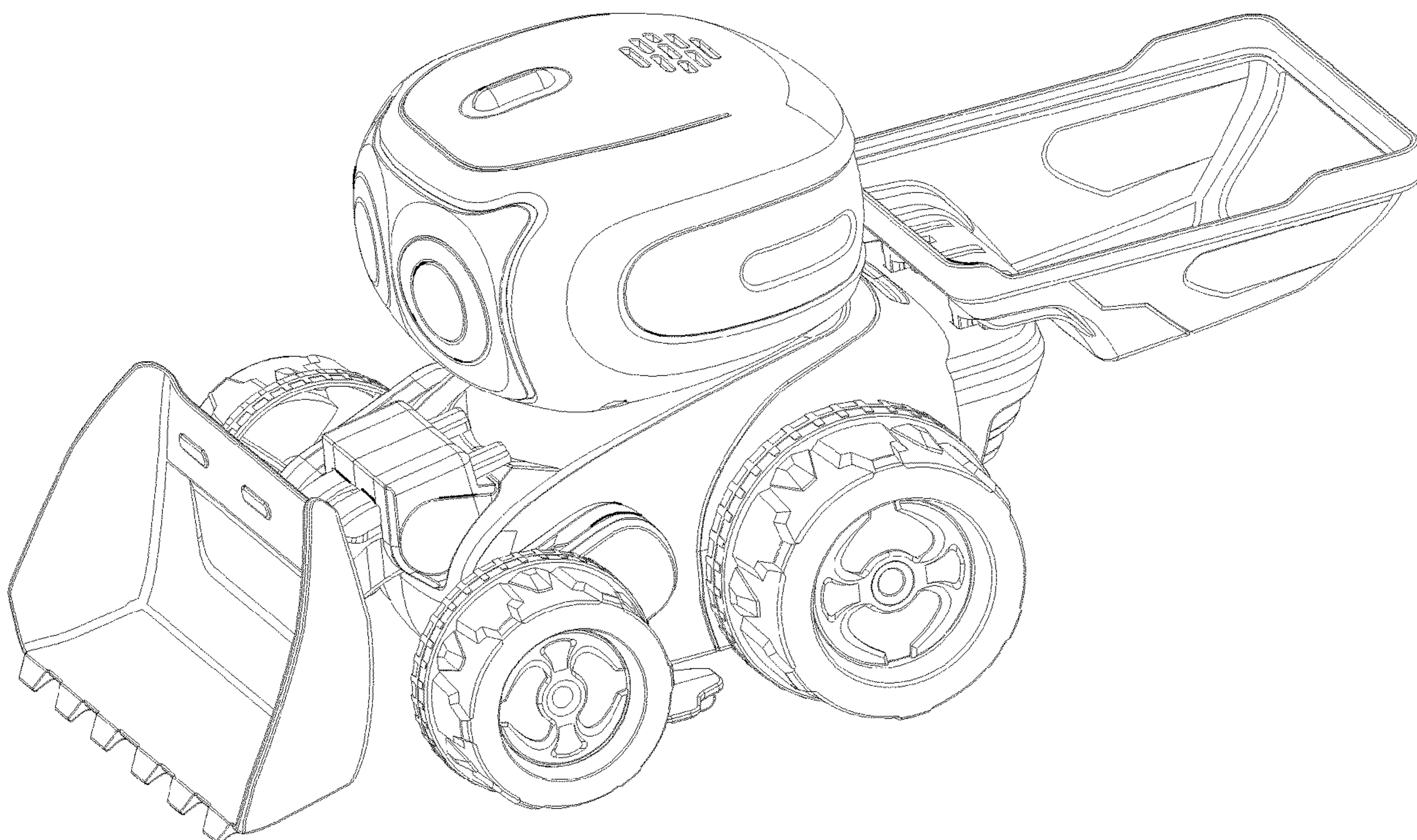
(57) **CLAIM**

The ornamental design for a small construction vehicle, as shown and described.

DESCRIPTION

FIG. 1 is a perspective view of a small construction vehicle showing my new design;
FIG. 2 is a front elevational view thereof;
FIG. 3 is a top plan view thereof;
FIG. 4 is a left side elevational view thereof;
FIG. 5 is a rear elevational view thereof;
FIG. 6 is a right side view; and,
FIG. 7 is a bottom plan view thereof.

1 Claim, 7 Drawing Sheets



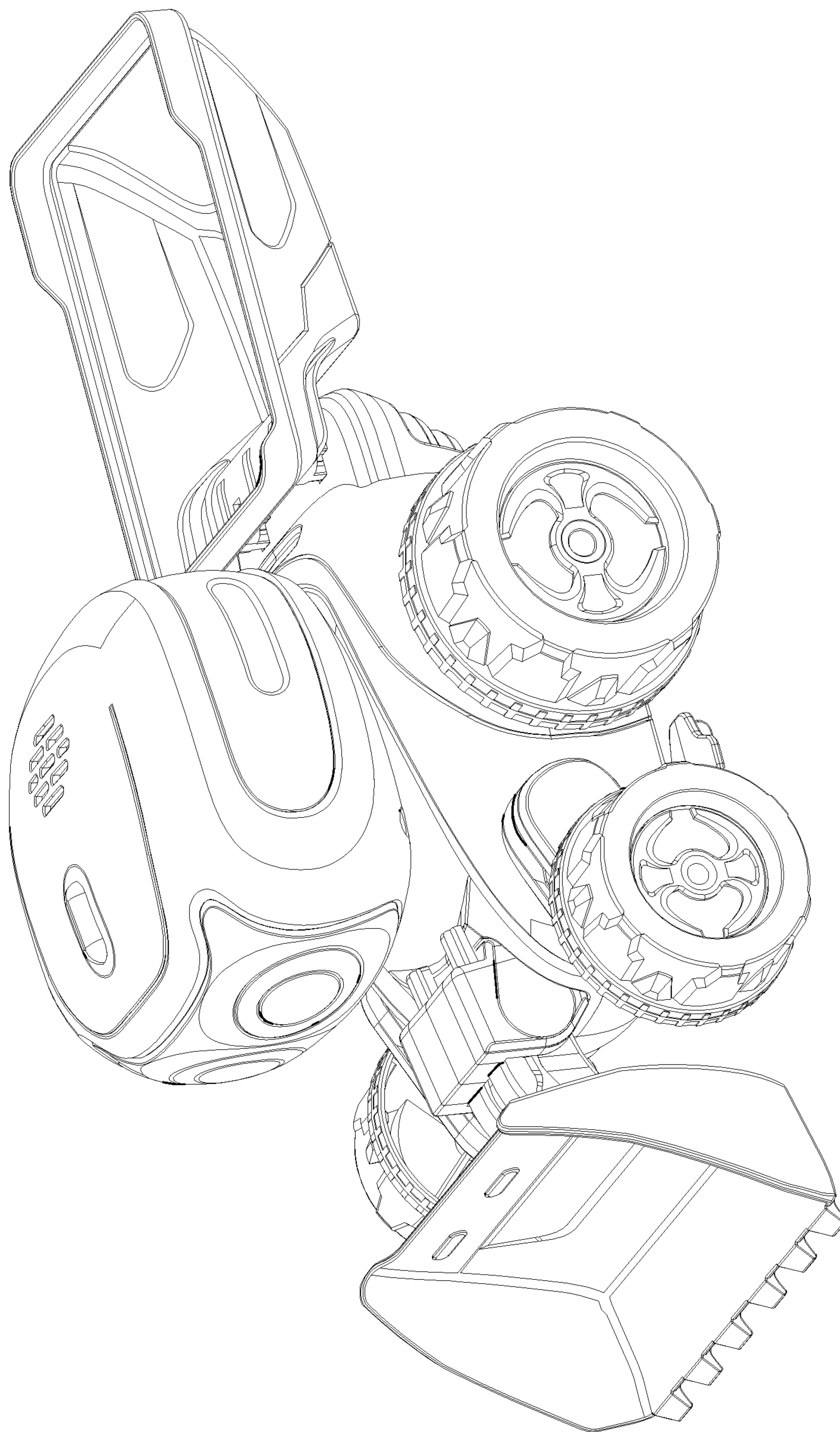


FIG. 1

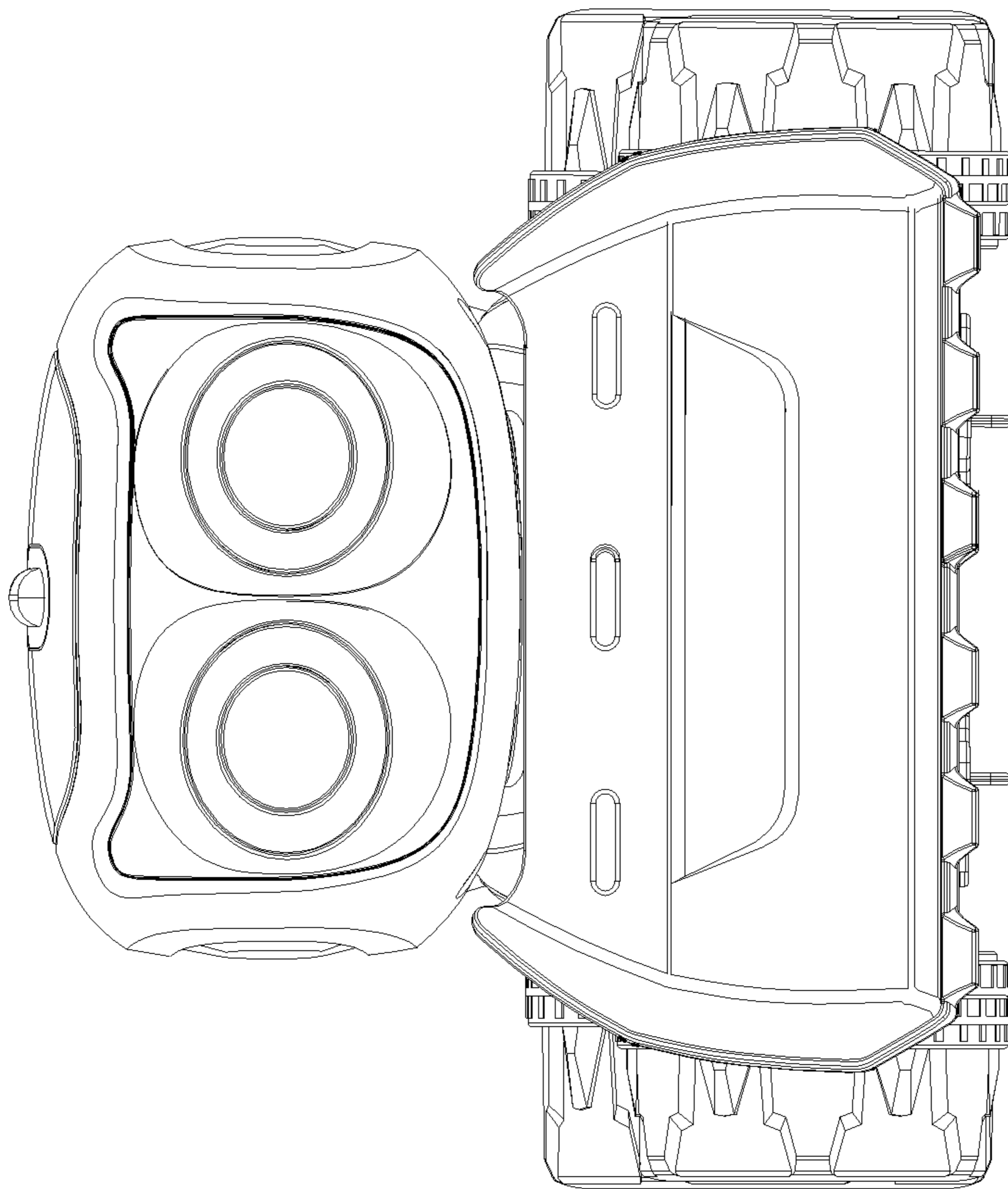


FIG. 2

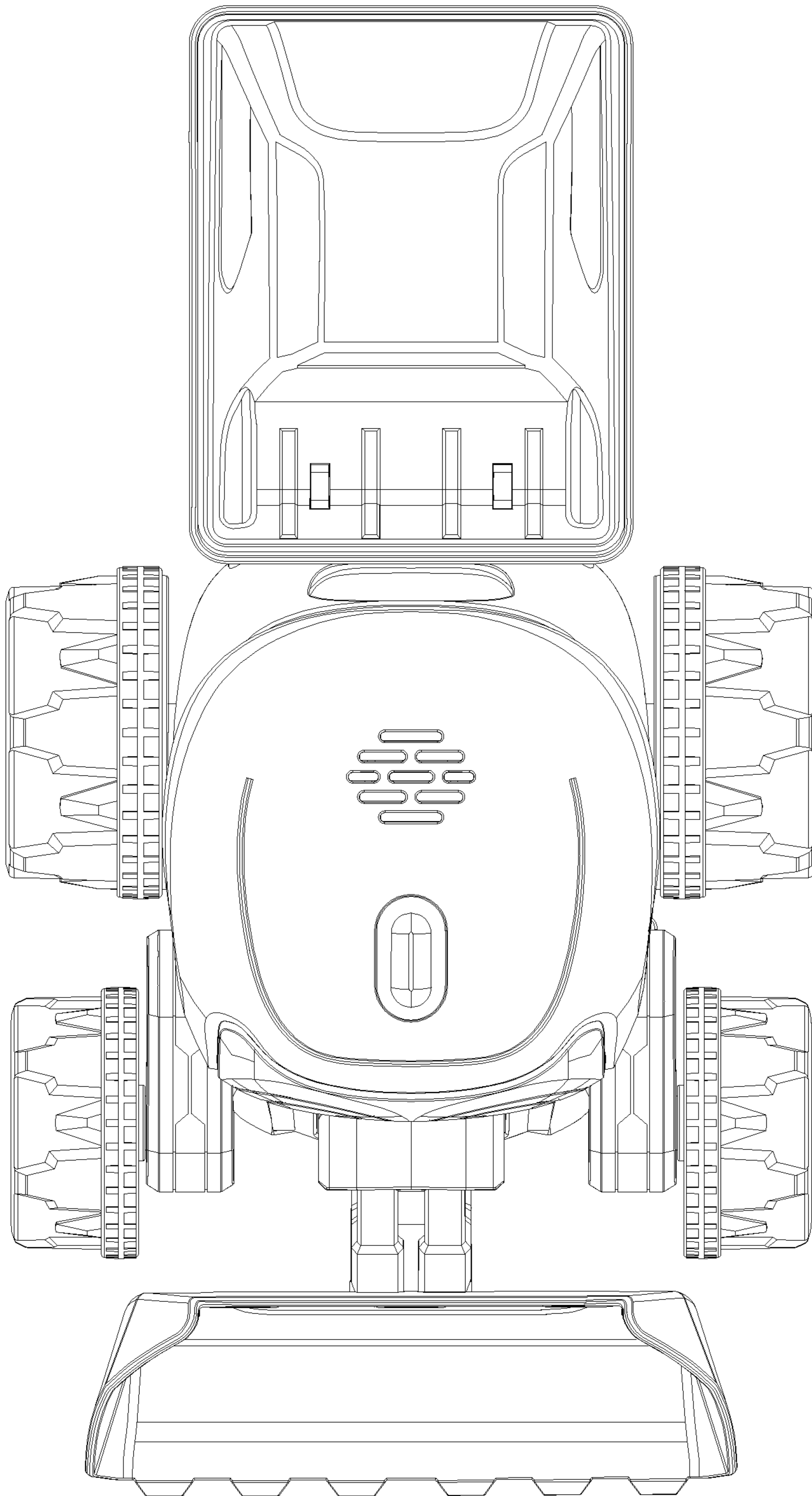


FIG. 3

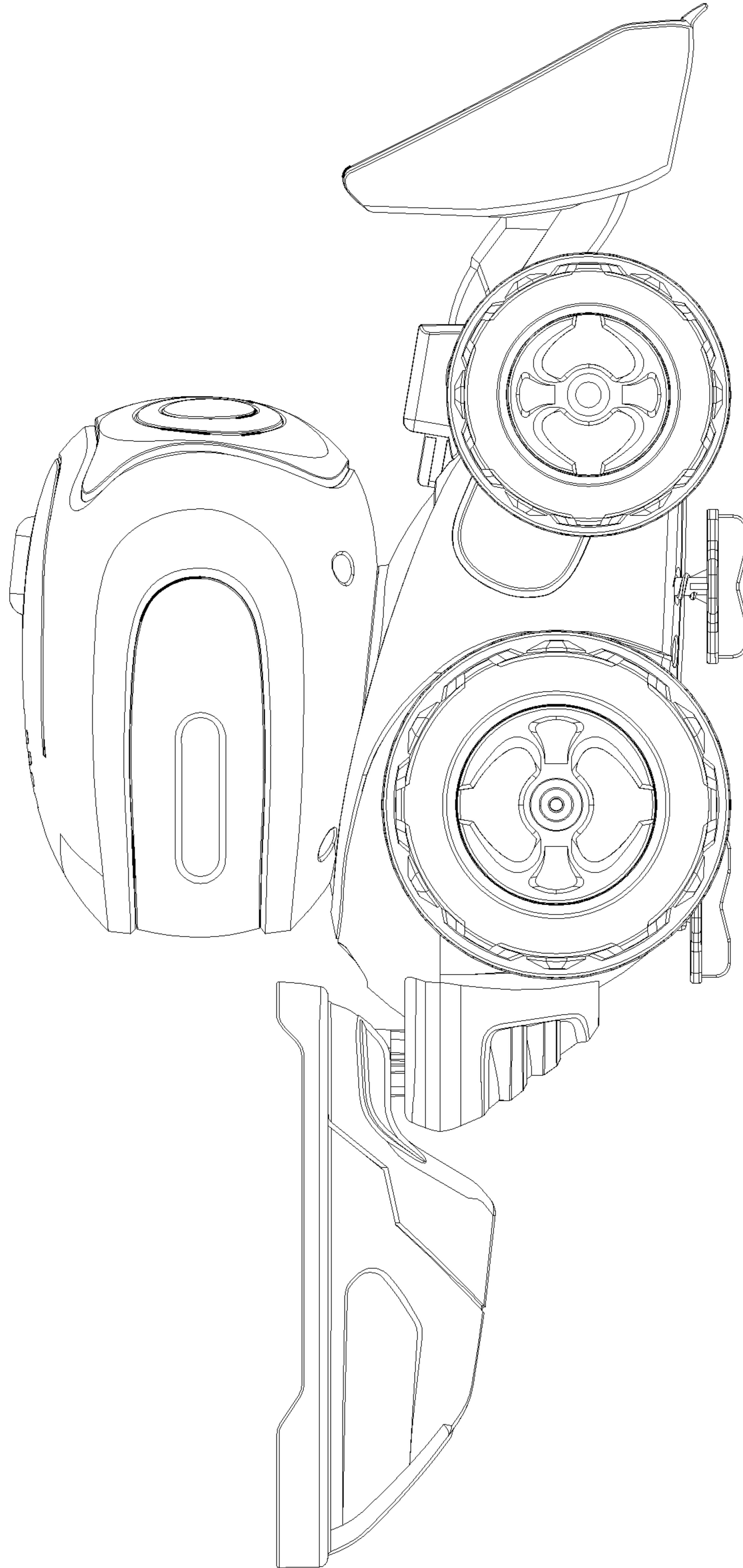


FIG. 4

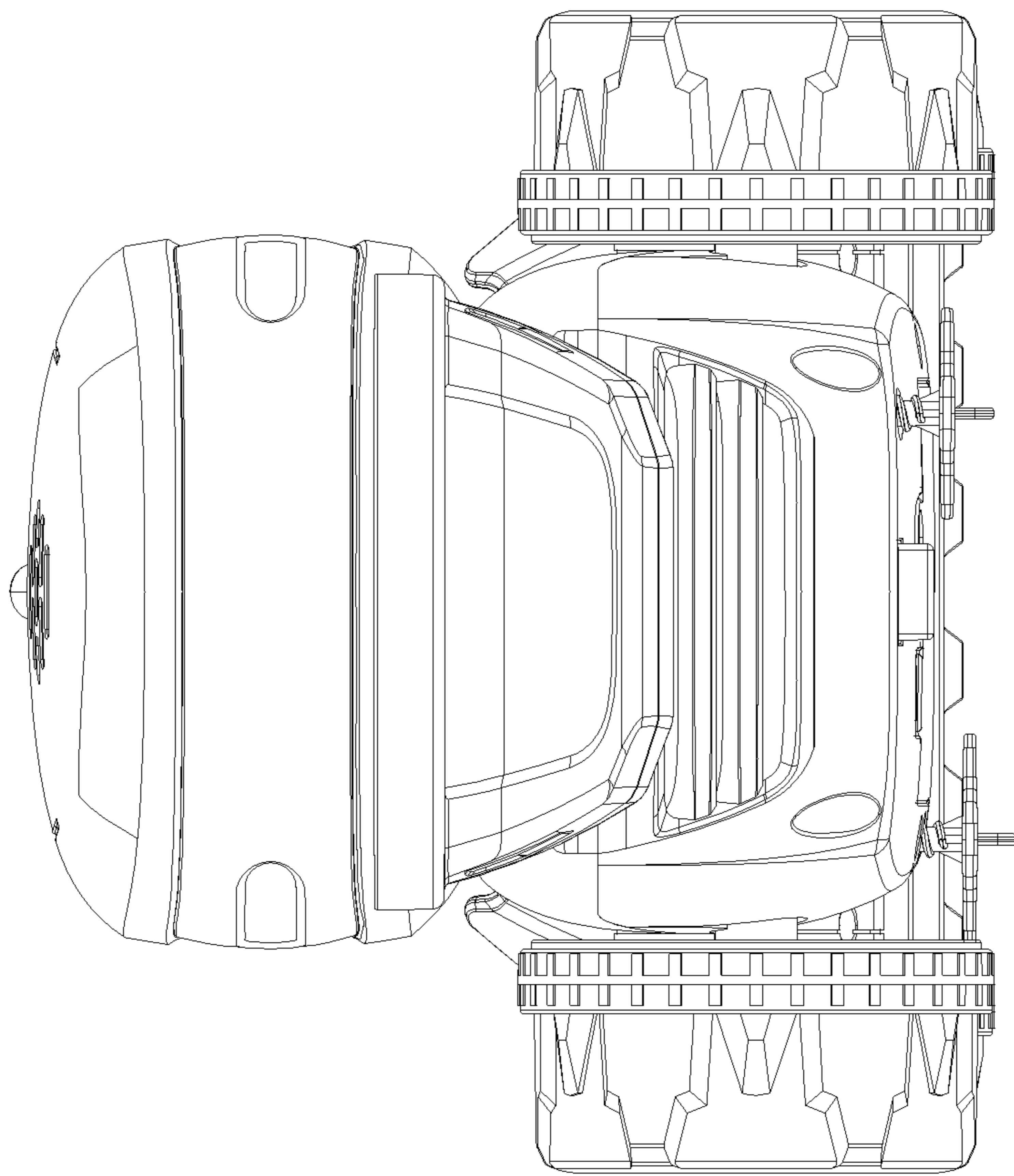


FIG. 5

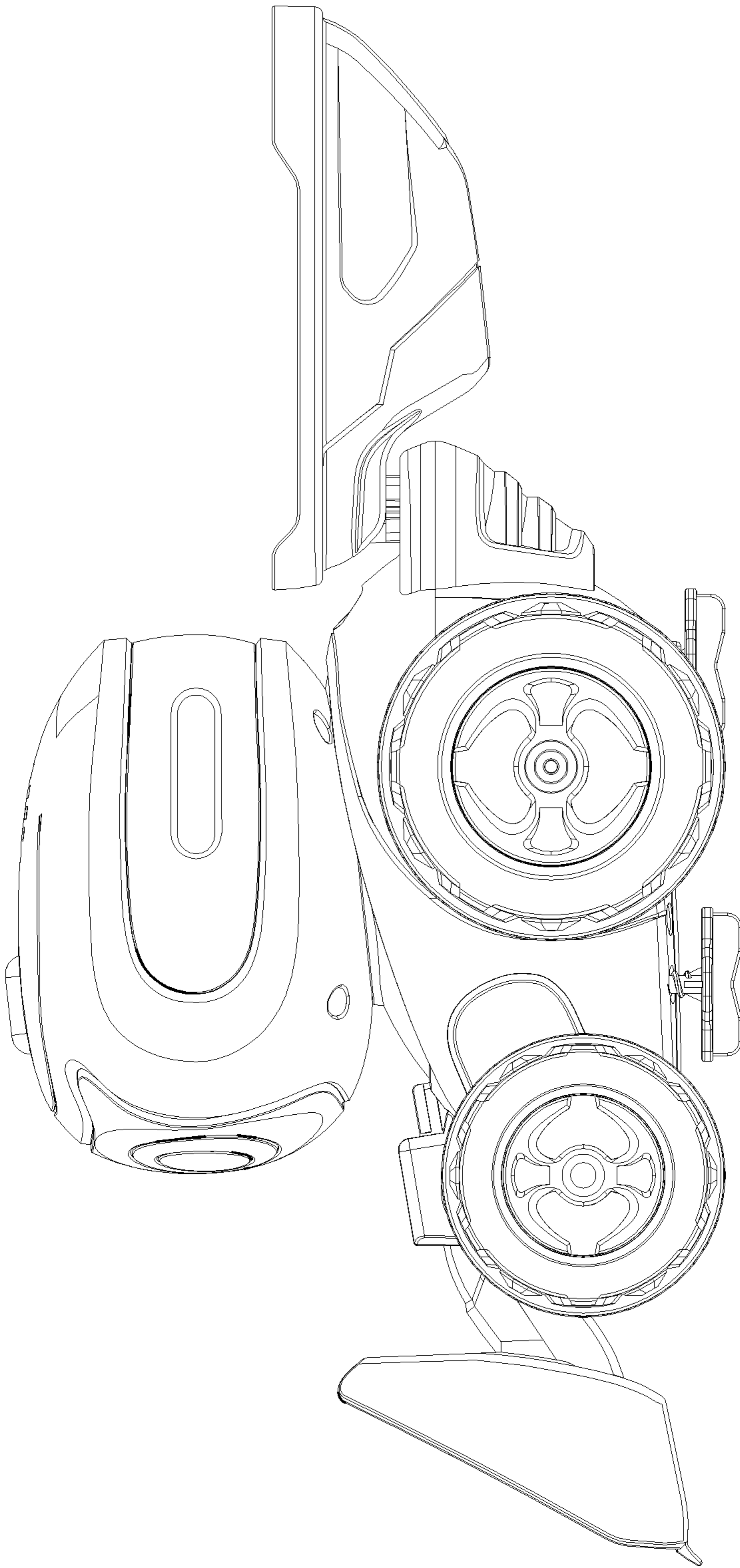


FIG. 6

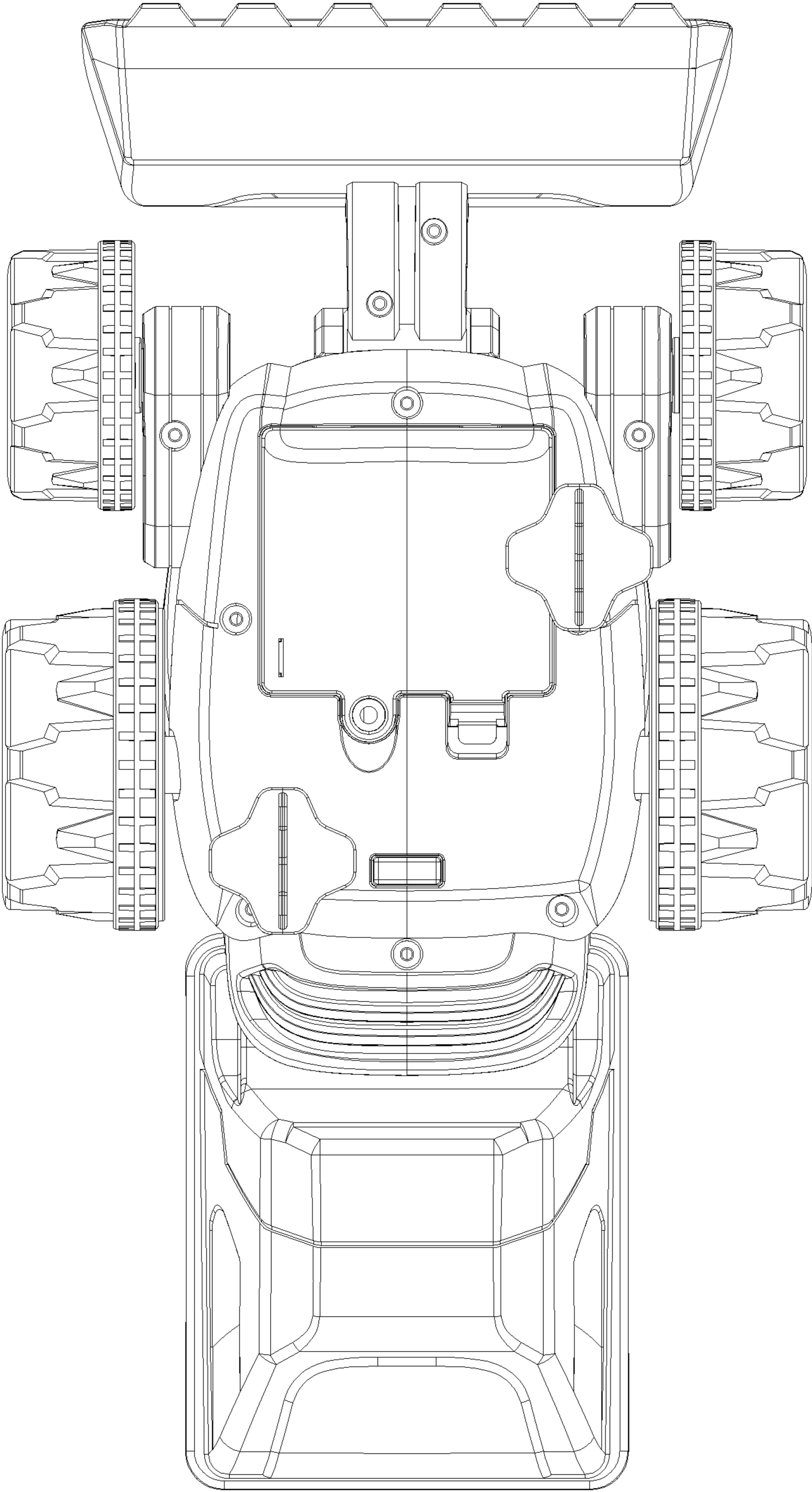


FIG. 7