



US00D965699S

(12) **United States Design Patent**
Kristensen

(10) **Patent No.:** **US D965,699 S**

(45) **Date of Patent:** **** Oct. 4, 2022**

(54) **ELEMENT FOR A TOY BUILDING SET**

(71) Applicant: **Lego A/S**, Billund (DK)

(72) Inventor: **Bo Park Kristensen**, Billund (DK)

(73) Assignee: **LEGO A/S**, Billund (DK)

(**) Term: **15 Years**

(21) Appl. No.: **29/762,778**

(22) Filed: **Dec. 18, 2020**

(51) **LOC (13) Cl.** **21-01**

(52) **U.S. Cl.**
USPC **D21/503**; D21/495

(58) **Field of Classification Search**
USPC D21/484–505, 561, 562
CPC A63H 33/04; A63H 33/044; A63H 33/06;
A63H 33/062; A63H 33/086; A63H
33/08; A63H 33/088; A63H 33/10; A63H
33/101; A63H 33/108; A63H 33/12;
A63H 17/002

See application file for complete search history.

(56) **References Cited**

U.S. PATENT DOCUMENTS

D317,474 S *	6/1991	Olsen	D21/502
D334,601 S *	4/1993	Olsen	D21/502
D344,769 S *	3/1994	Poulsen	D21/502
D364,658 S *	11/1995	Bromso	D21/503

D369,838 S *	5/1996	Hatting	D21/501
D412,947 S *	8/1999	Raundahl	D21/504
D617,397 S *	6/2010	Thorogood	D21/502
D641,052 S *	7/2011	Christensen	D21/497
D725,199 S *	3/2015	Jensen	D21/486
D754,260 S *	4/2016	Chen	D21/484
D786,984 S *	5/2017	Pouliot	D21/492
D810,837 S *	2/2018	Liu	D21/504
D902,091 S *	11/2020	Ewing	D12/159

* cited by examiner

Primary Examiner — Cynthia M. Chin

(74) *Attorney, Agent, or Firm* — Fross Zelnick Lehrman & Zissu, P.C.; Charles T. J. Weigell, Esq.

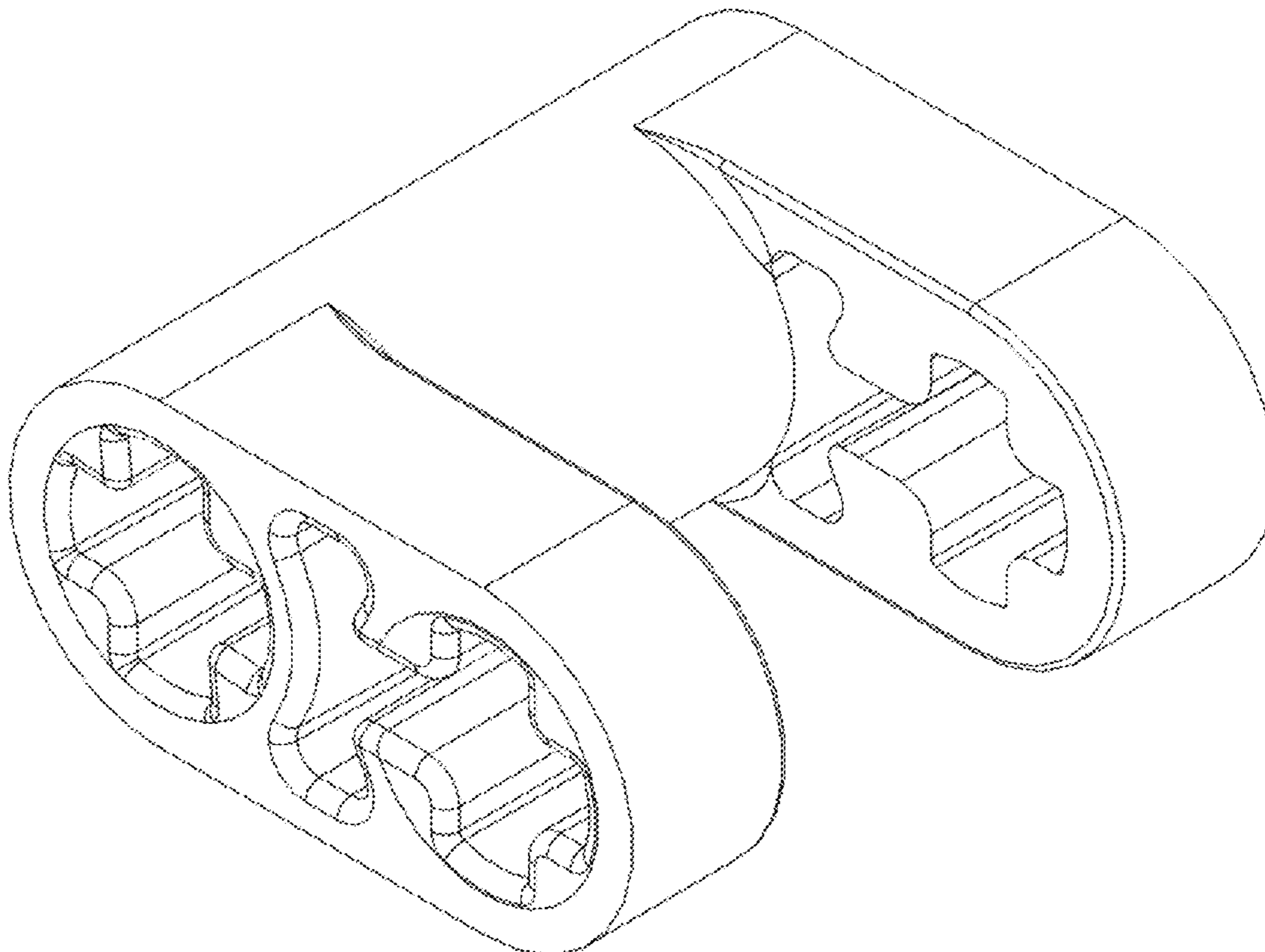
(57) **CLAIM**

The ornamental design for an element for a toy building set, as shown and described.

DESCRIPTION

FIG. 1 is a reduced front perspective view of the element for a toy building set showing my new design; FIG. 2 is a front view thereof; FIG. 3 is a back view thereof; FIG. 4 is a left side view thereof; FIG. 5 is a right side view thereof; FIG. 6 is a top view thereof; and, FIG. 7 is a bottom view thereof.

1 Claim, 5 Drawing Sheets



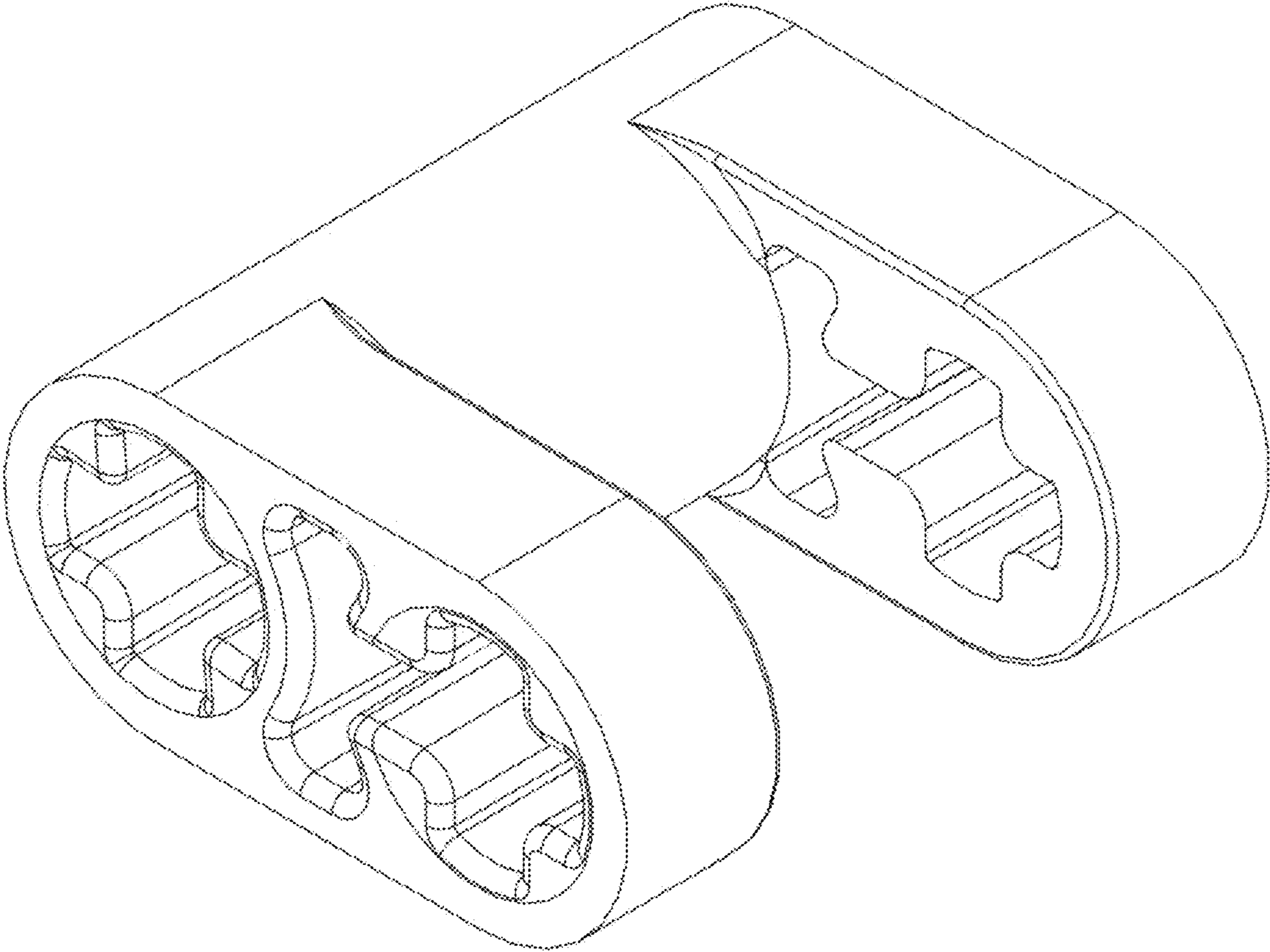


FIG. 1

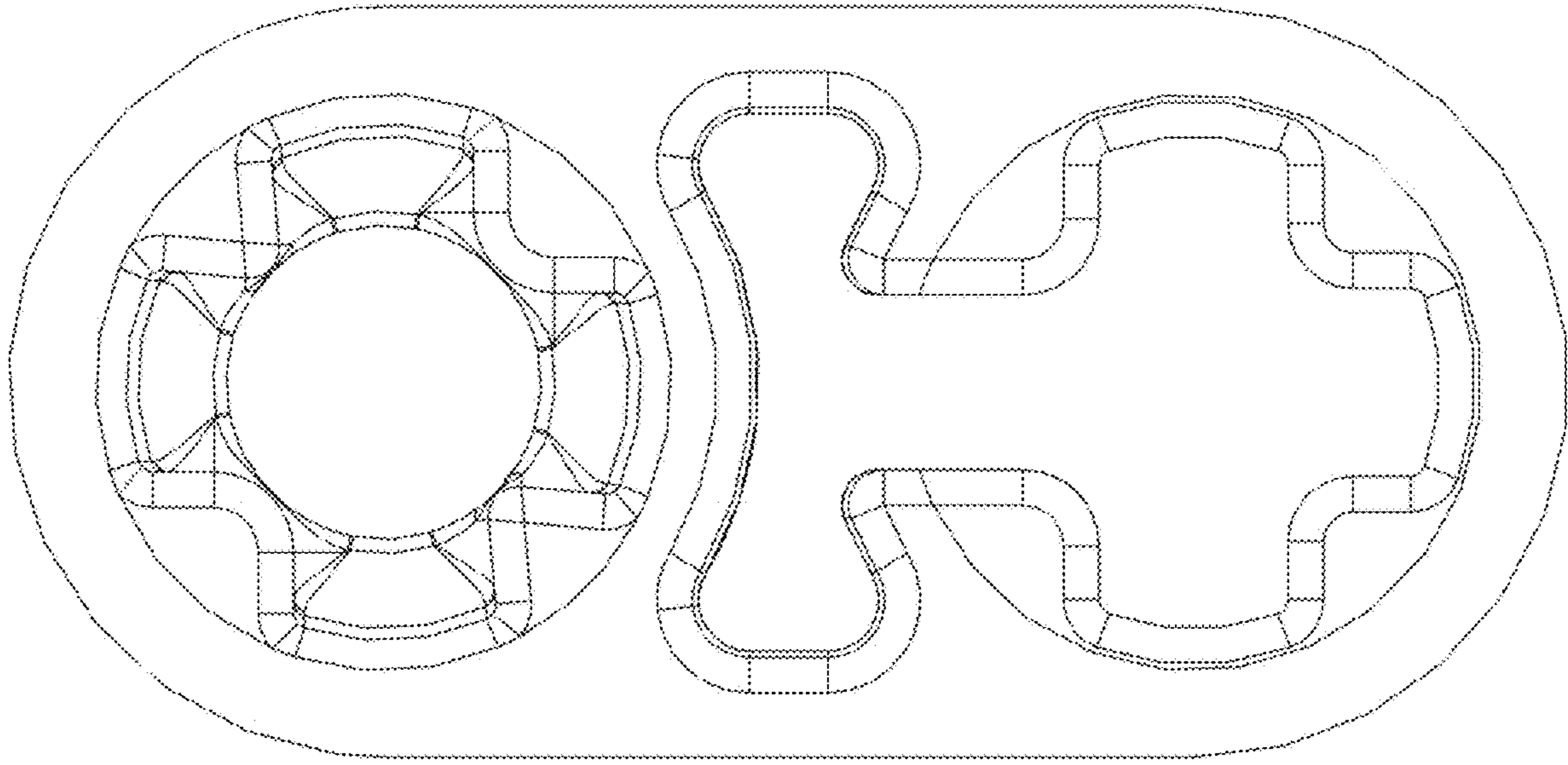


FIG. 2

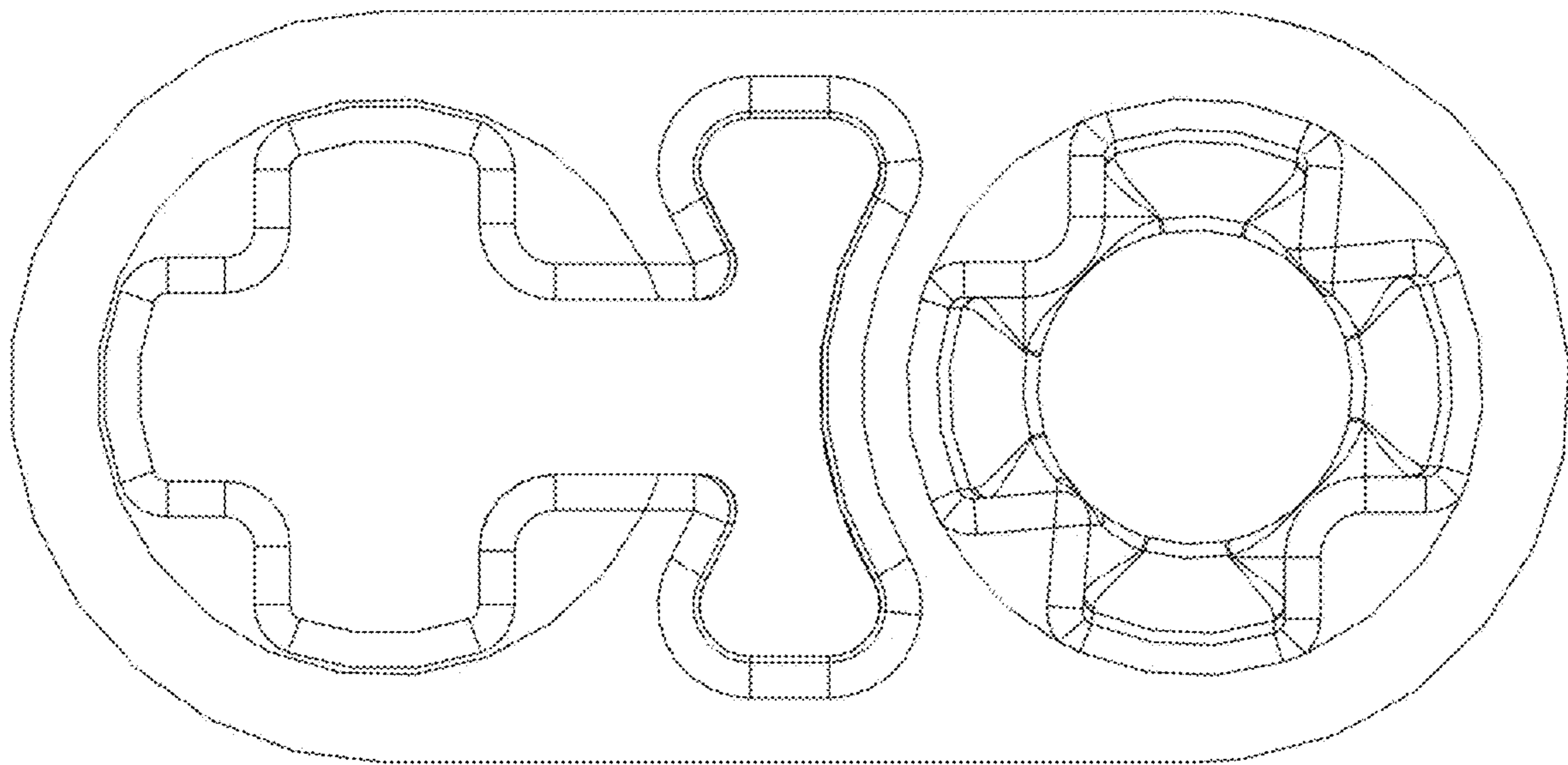


FIG. 3

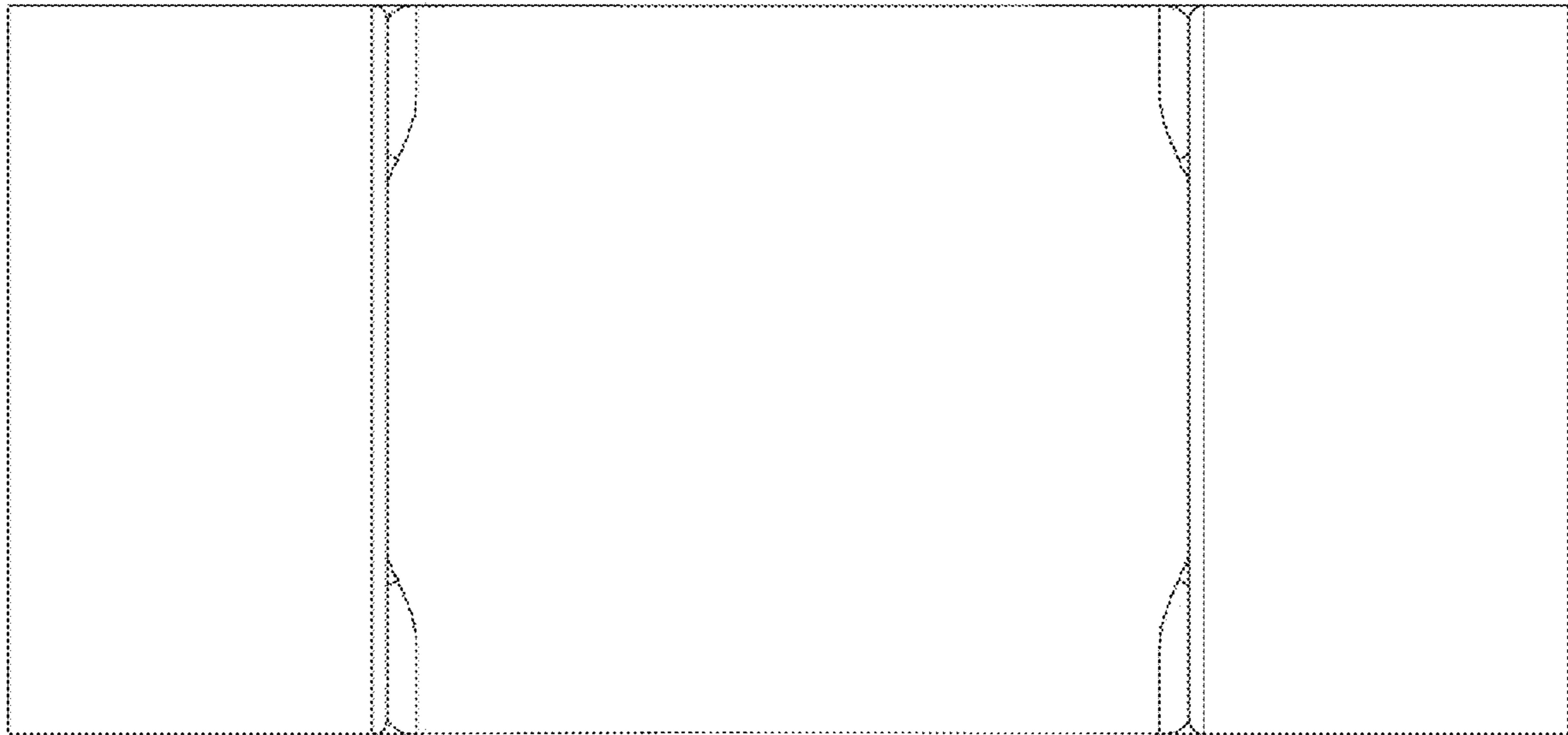


FIG. 4

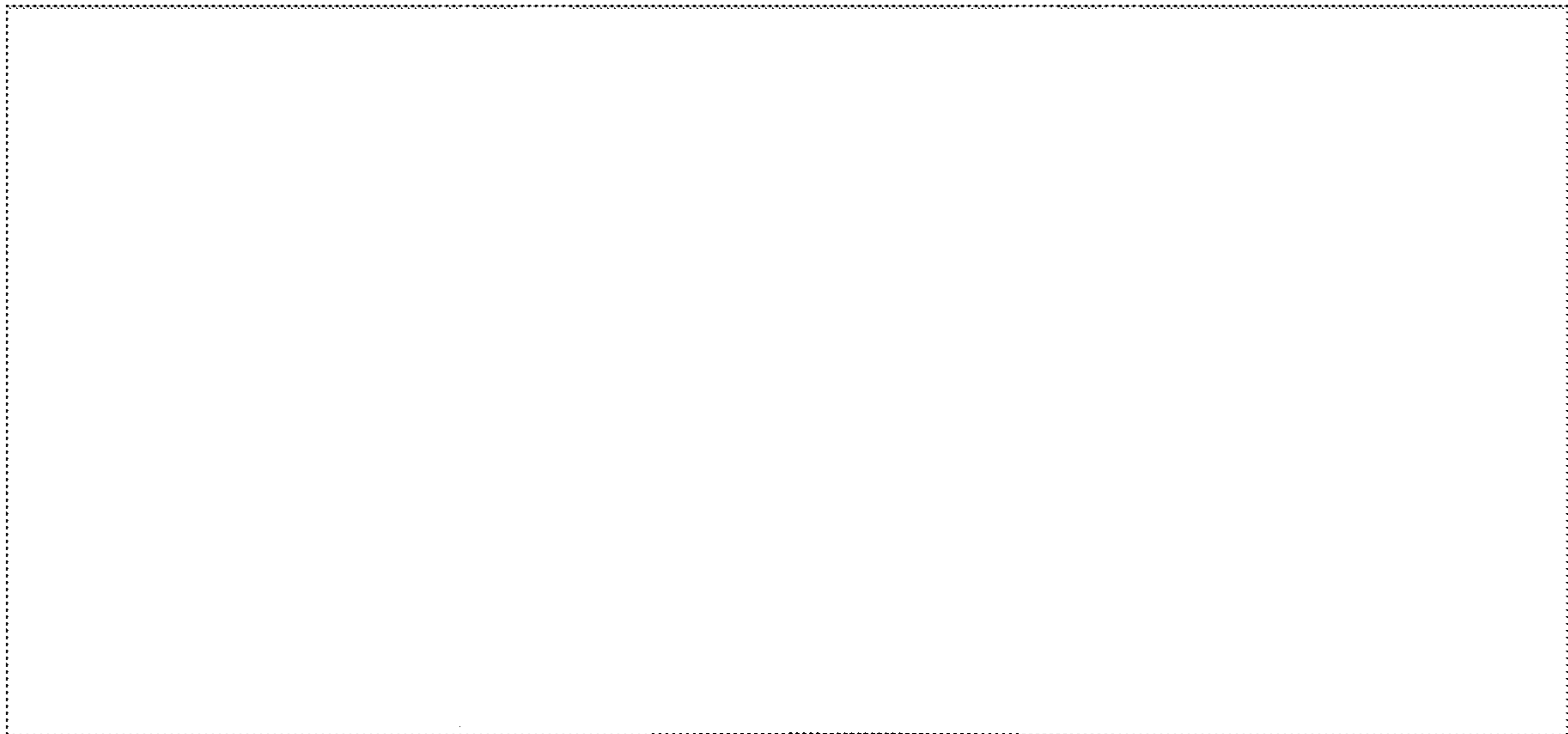


FIG. 5

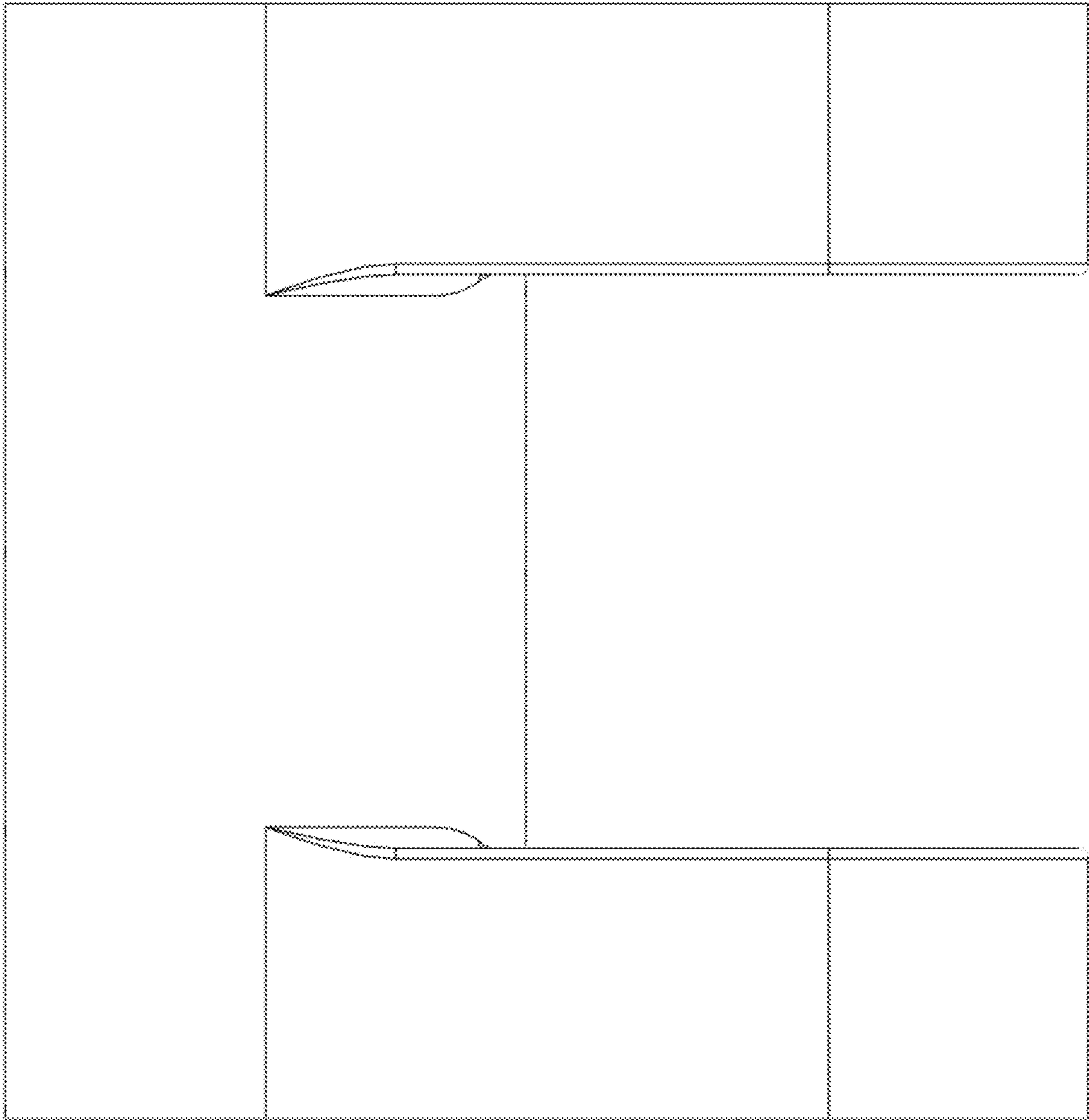


FIG. 6

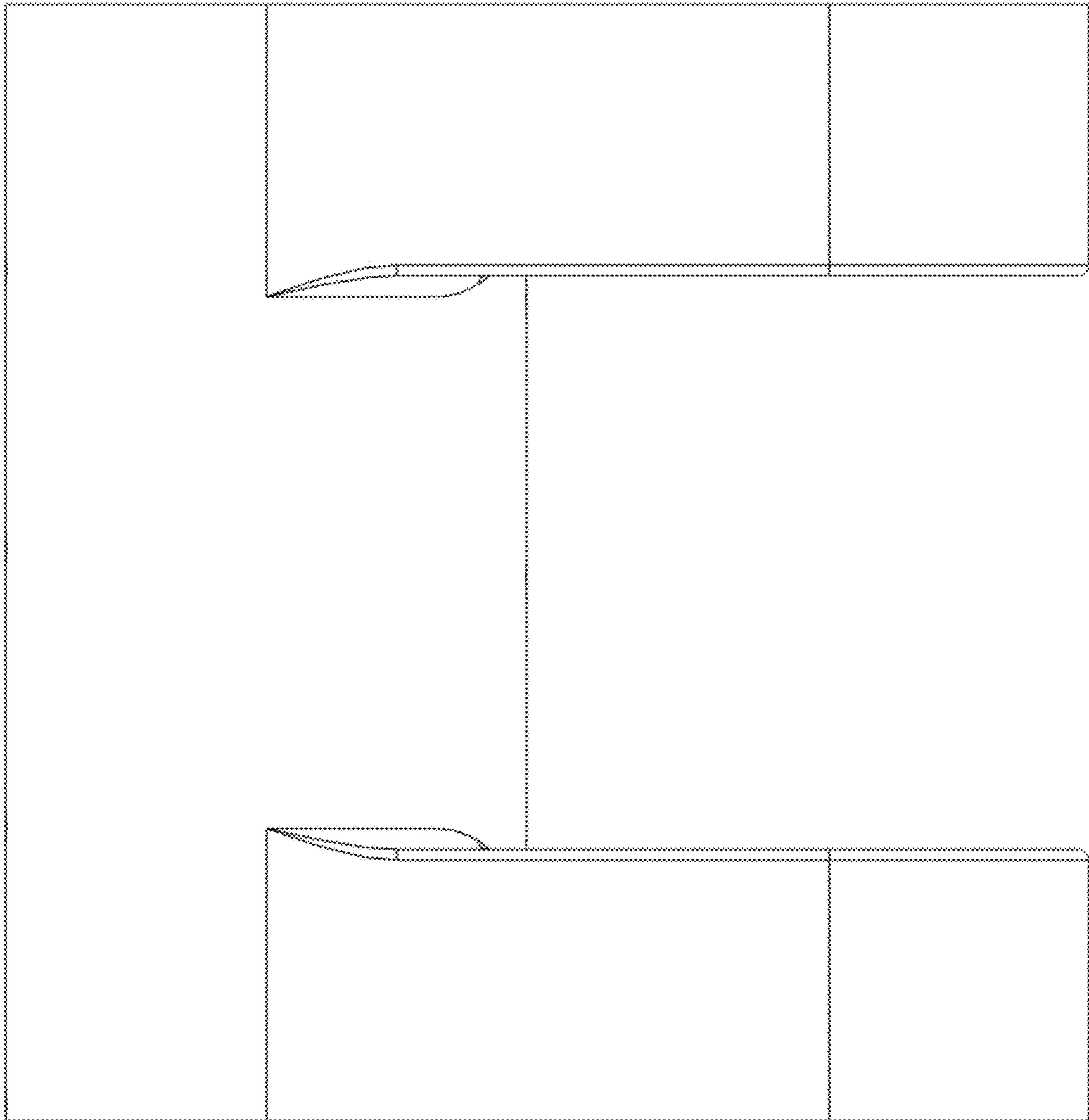


FIG. 7