



US00D965698S

(12) **United States Design Patent** (10) **Patent No.:** **US D965,698 S**  
**Strich et al.** (45) **Date of Patent:** **\*\* Oct. 4, 2022**

(54) **TOY TRUCK CHASSIS**  
(71) Applicants: **Thomas Adam Strich**, Tempe, AZ  
(US); **Maria Rose Mahar**, Tempe, AZ  
(US)  
(72) Inventors: **Thomas Adam Strich**, Tempe, AZ  
(US); **Maria Rose Mahar**, Tempe, AZ  
(US)  
(\*\*) Term: **15 Years**  
(21) Appl. No.: **29/750,055**  
(22) Filed: **Sep. 10, 2020**  
(51) **LOC (13) Cl.** ..... **21-01**  
(52) **U.S. Cl.**  
USPC ..... **D21/495**  
(58) **Field of Classification Search**  
USPC ..... D21/484–505, 561  
CPC ..... A63H 17/00; A63H 17/002; A63H 33/04;  
A63H 33/042; A63H 33/044; A63H  
33/06; A63H 33/08; A63H 33/062; A63H  
33/10; A63H 33/101; A63H 33/108  
See application file for complete search history.

D346,628 S \* 5/1994 Ruszkai ..... D21/562  
D346,629 S \* 5/1994 Ruszkai  
D351,631 S \* 10/1994 Thomsen ..... D21/485  
D363,323 S \* 10/1995 Thomsen  
D375,331 S \* 11/1996 Pagel  
D394,469 S \* 5/1998 Nielsen ..... D21/500  
D394,680 S \* 5/1998 Andersen  
D395,064 S \* 6/1998 Pagel ..... D21/484  
D395,470 S \* 6/1998 Rahbek ..... D21/484  
D412,725 S \* 8/1999 Nielsen ..... D21/562  
D541,882 S \* 5/2007 Petersen ..... D21/495  
D830,477 S \* 10/2018 Jensen ..... D21/491  
D838,322 S \* 1/2019 Lin  
D845,397 S \* 4/2019 Cohen ..... D21/484  
D845,399 S \* 4/2019 Kahl ..... D21/495  
D846,035 S \* 4/2019 Kahl ..... D21/495

(Continued)

**OTHER PUBLICATIONS**

See supplemental IDS document submitted with application.

*Primary Examiner* — Cynthia M. Chin

(57) **CLAIM**

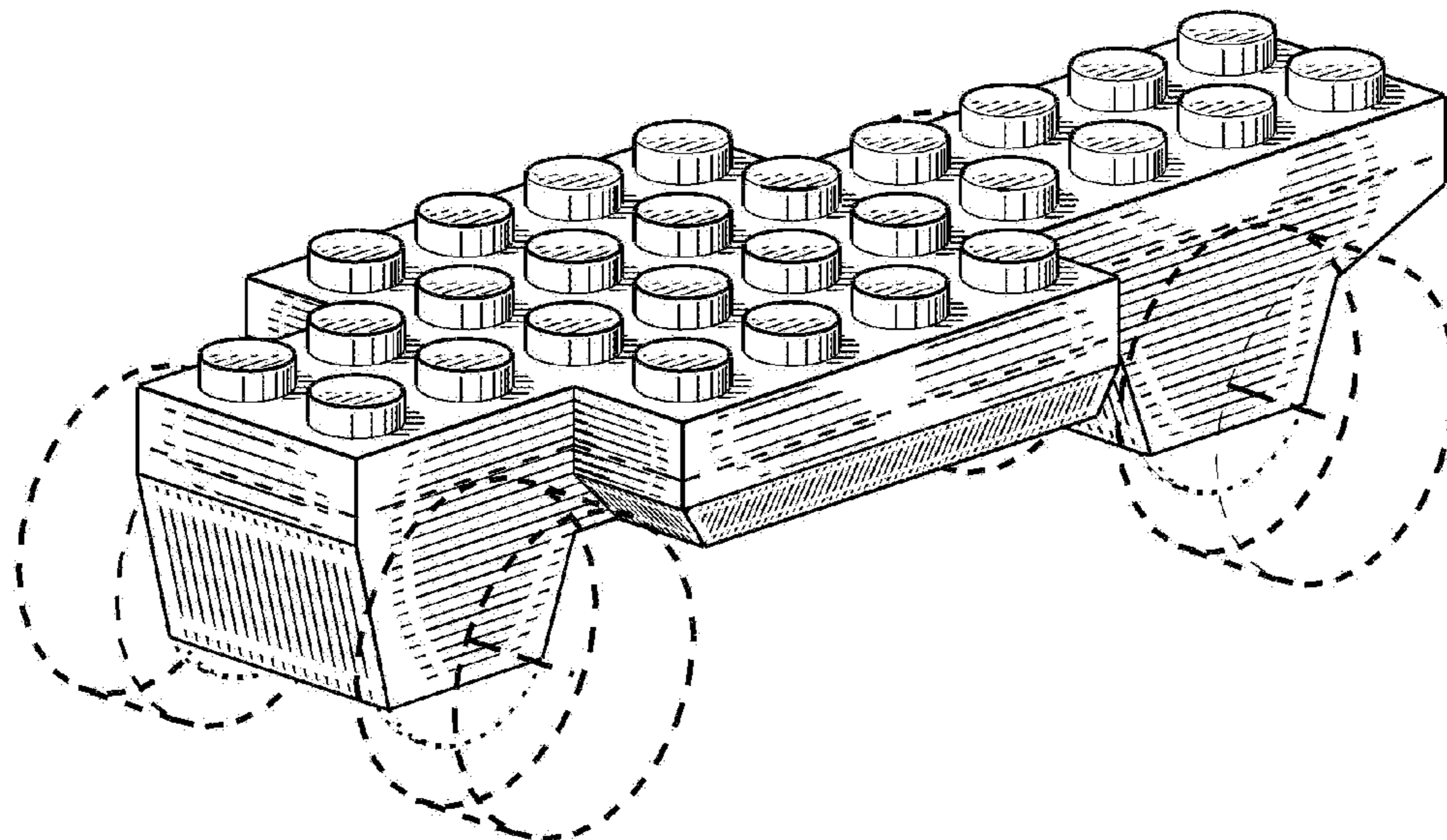
The ornamental design for a toy truck chassis, as shown and described.

**DESCRIPTION**

FIG. 1 is a top perspective view of the toy truck chassis showing our new design;  
FIG. 2 is a rear bottom perspective view thereof;  
FIG. 3 is a right side elevation view thereof; the left side elevation view is a mirror image of the right side elevation view;  
FIG. 4 is a front elevation view thereof;  
FIG. 5 is a rear elevation view thereof;  
FIG. 6 is a top plan view thereof; and,  
FIG. 7 is a bottom plan view thereof.  
The broken lines are for the purpose of illustrating portions of the article that form no part of the claim.

**1 Claim, 7 Drawing Sheets**

(56) **References Cited**  
U.S. PATENT DOCUMENTS  
3,621,609 A 11/1971 LaBranche  
3,711,989 A 1/1973 Nielsen  
4,375,139 A \* 3/1983 Chatani ..... A63H 17/26  
446/471  
D275,872 S 10/1984 Peter  
D281,000 S 10/1985 Kuna  
D282,090 S \* 1/1986 Takahashi ..... D21/495  
D295,642 S \* 5/1988 Olsen  
D295,644 S \* 5/1988 Takahashi ..... D21/562  
D296,346 S \* 6/1988 Thomsen ..... D21/558  
D325,052 S \* 3/1992 Andersen ..... D21/558  
D331,431 S \* 12/1992 Jensen ..... D21/558  
D344,552 S \* 2/1994 Berggreen ..... D21/495  
D345,398 S \* 3/1994 Plagborg ..... D21/485



(56)

**References Cited**

U.S. PATENT DOCUMENTS

D854,629 S \* 7/2019 Zhang ..... D21/495  
2005/0215172 A1\* 9/2005 Chen ..... A63H 17/002  
446/427  
2011/0129804 A1\* 6/2011 Choi ..... A63H 33/042  
434/118  
2017/0189826 A1\* 7/2017 Chin ..... A63H 33/086

\* cited by examiner

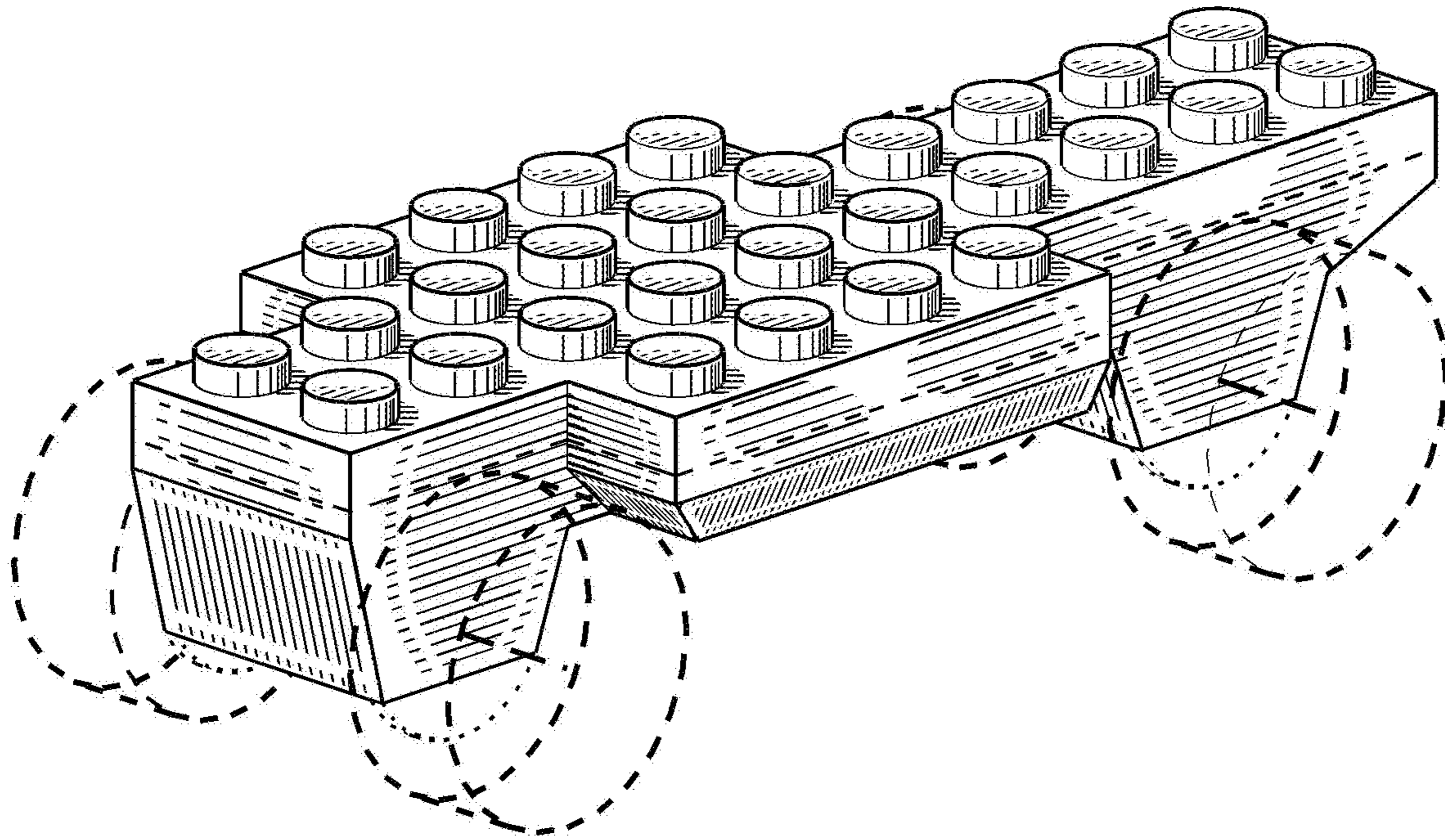


FIG. 1

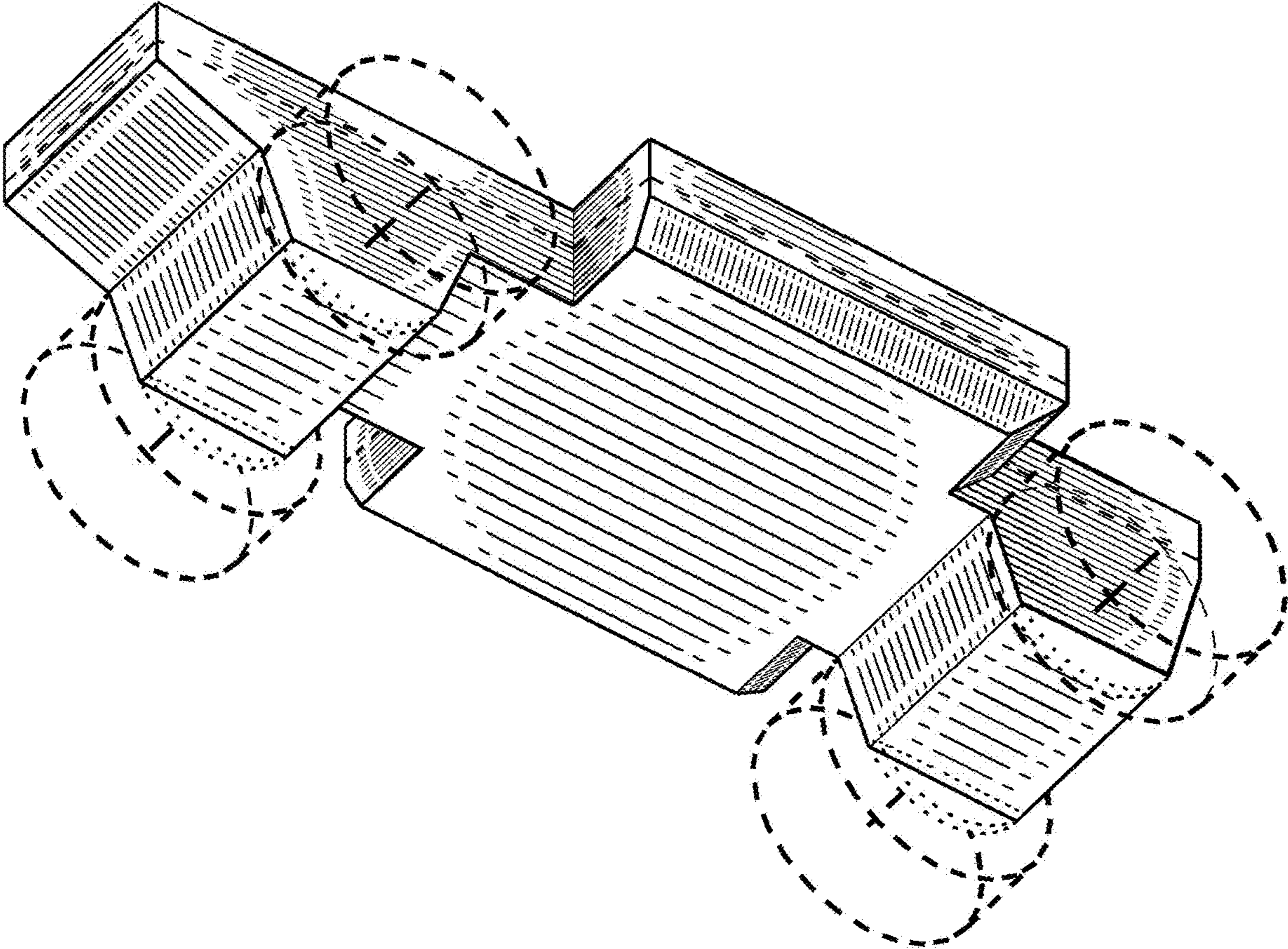


FIG. 2

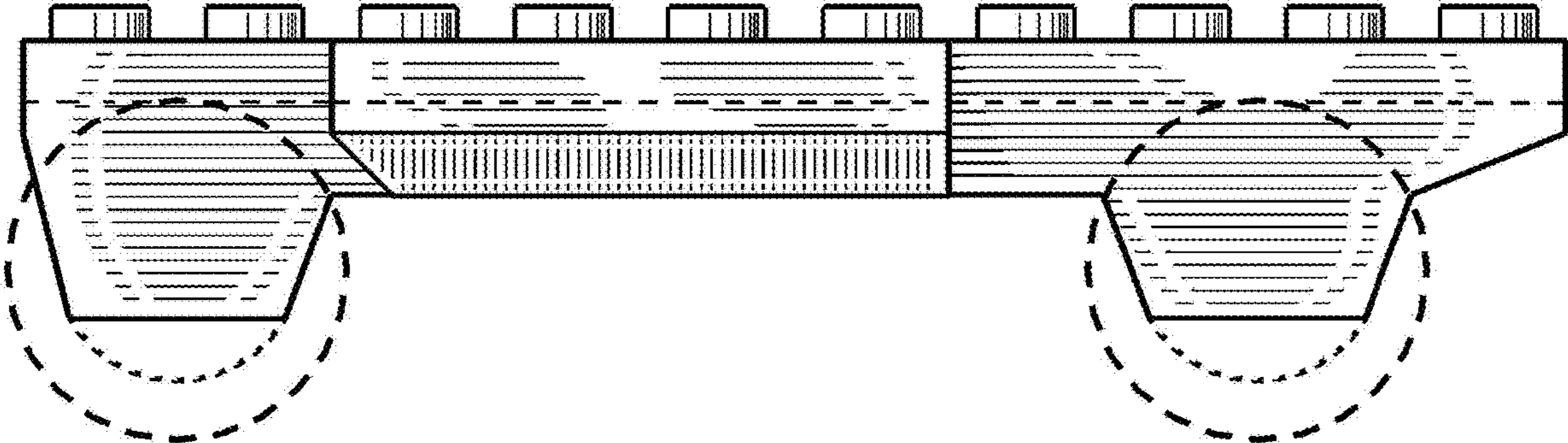


FIG. 3

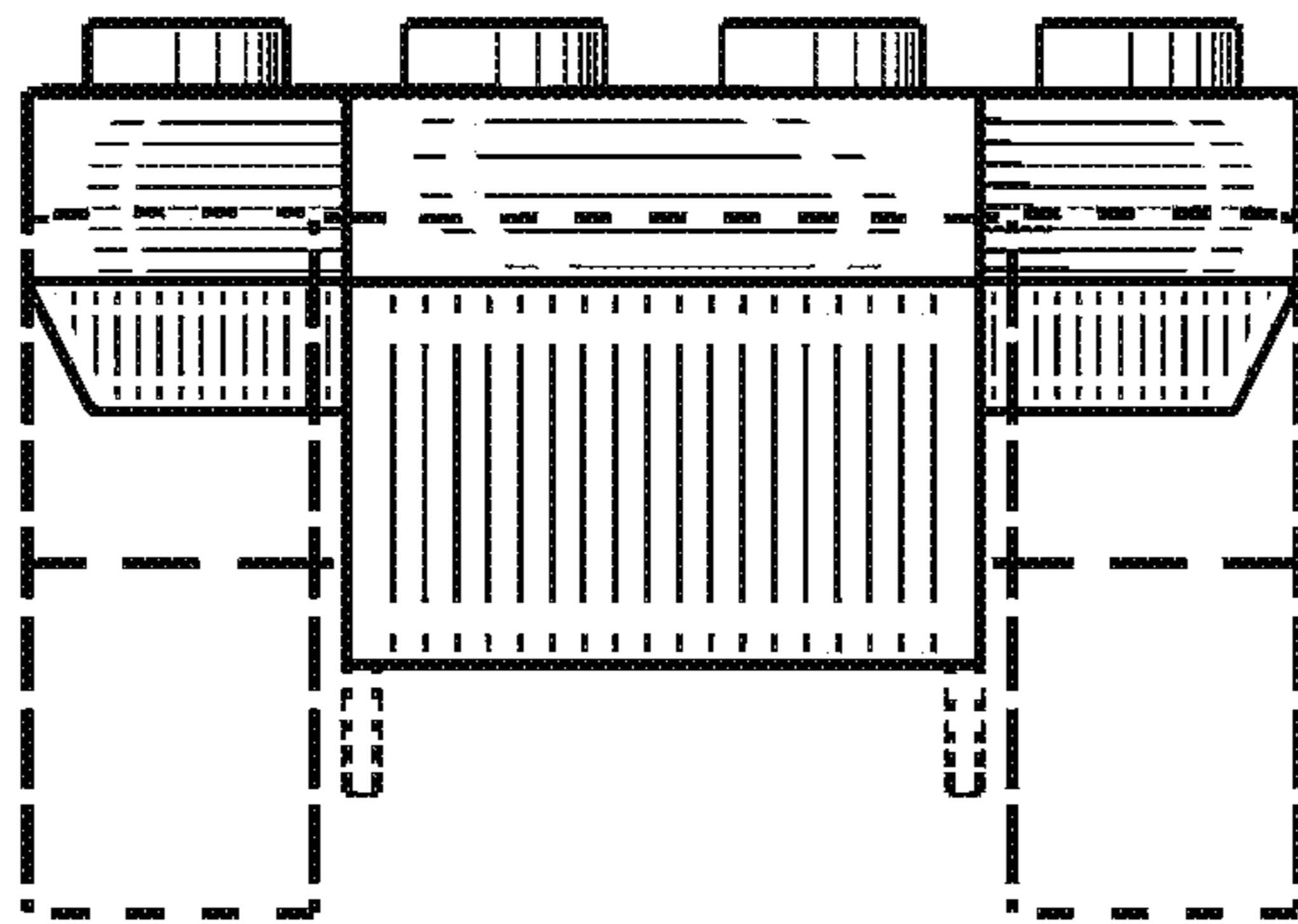


FIG. 4

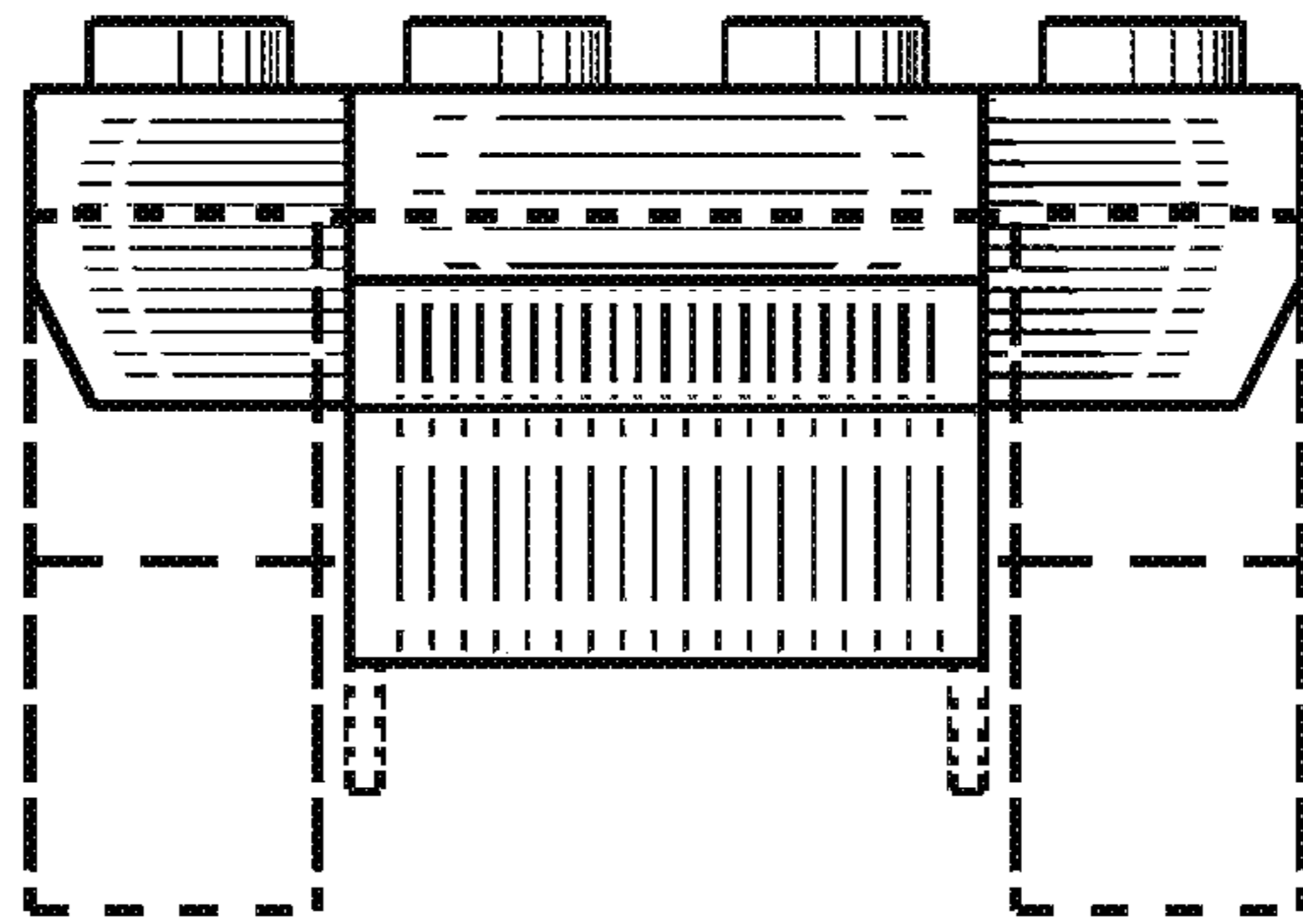


FIG. 5

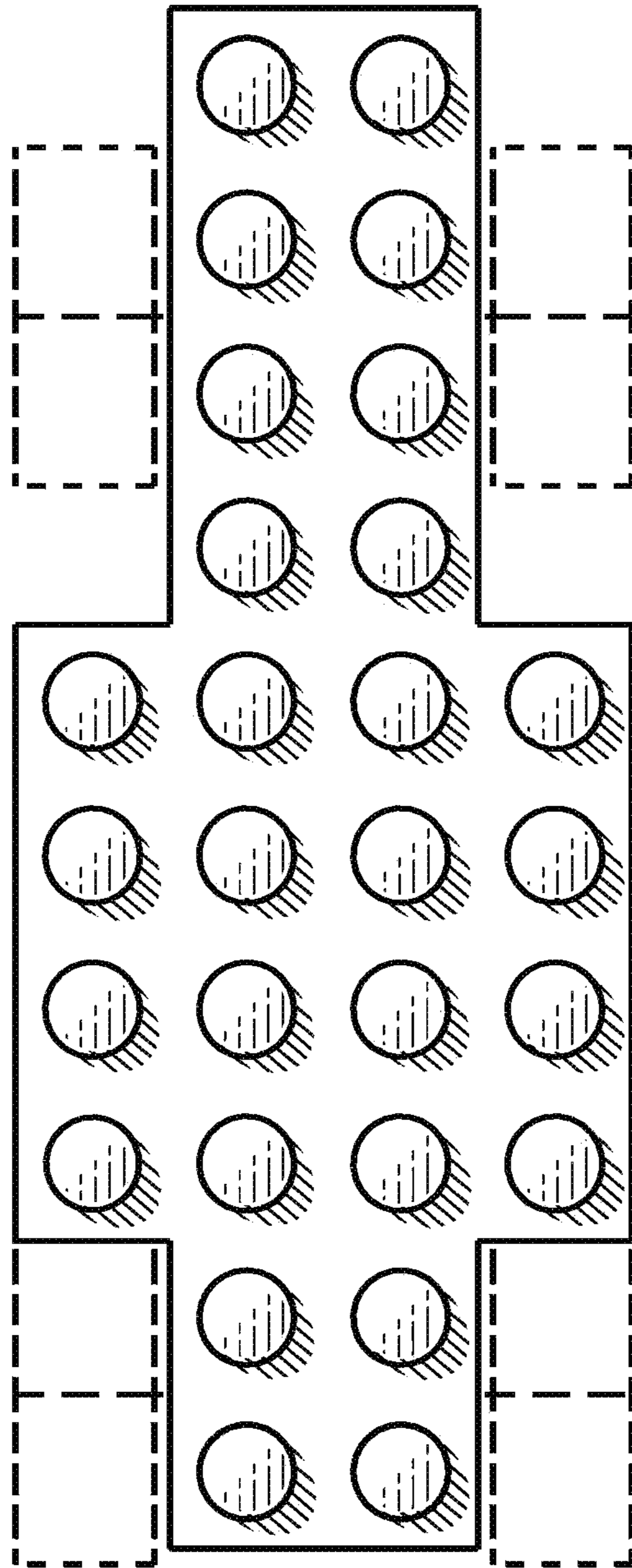


FIG. 6



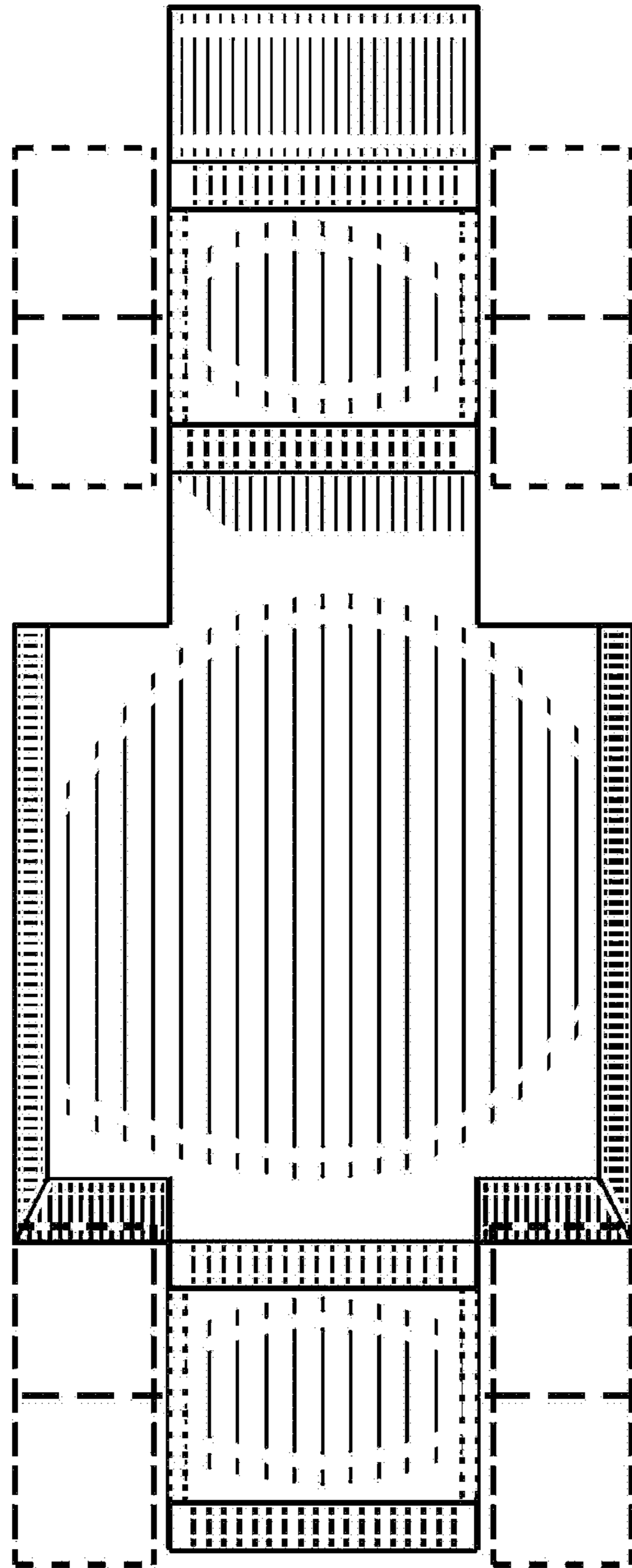


FIG. 7