



US00D965697S

(12) **United States Design Patent**
Strich et al.

(10) **Patent No.:** **US D965,697 S**

(45) **Date of Patent:** **** Oct. 4, 2022**

(54) **TOY VEHICLE CHASSIS**

(71) Applicants: **Thomas Adam Strich**, Tempe, AZ
(US); **Maria Rose Mahar**, Tempe, AZ
(US)

(72) Inventors: **Thomas Adam Strich**, Tempe, AZ
(US); **Maria Rose Mahar**, Tempe, AZ
(US)

(**) Term: **15 Years**

(21) Appl. No.: **29/749,903**

(22) Filed: **Sep. 10, 2020**

(51) **LOC (13) Cl.** **21-01**

(52) **U.S. Cl.**

USPC **D21/495**

(58) **Field of Classification Search**

USPC D21/484–505, 561

CPC A63H 17/00; A63H 17/002; A63H 33/04;
A63H 33/042; A63H 33/044; A63H
33/06;

(Continued)

(56) **References Cited**

U.S. PATENT DOCUMENTS

2,072,374 A 3/1937 Manoil
D117,554 S 11/1939 Bojesen
2,510,310 A 6/1950 Francis

(Continued)

OTHER PUBLICATIONS

McDonald's and General Mills Lego vehicle bases—photographed
Sep. 8, 2020.

(Continued)

Primary Examiner — Cynthia M. Chin

(57) **CLAIM**

The ornamental design of a toy vehicle chassis, as shown
and described.

DESCRIPTION

FIG. 1 is a top perspective view of an embodiment of the toy
vehicle chassis showing our new design;

FIG. 2 is a rear bottom perspective view thereof;

FIG. 3 is a right side elevation view thereof; the left side
elevation view is a mirror image of the right side elevation
view;

FIG. 4 is a front elevation view thereof; the rear elevation
view is a mirror image of the front elevation view;

FIG. 5 is a top plan view thereof;

FIG. 6 is a bottom plan view thereof;

FIG. 7 is a top perspective view of another embodiment of
the toy vehicle chassis in accordance with our new design;

FIG. 8 is a bottom rear perspective view of the toy vehicle
chassis in FIG. 7;

FIG. 9 is a right side elevation view thereof; the left side
elevation view is a mirror image of the right side elevation
view;

FIG. 10 is a front elevation view thereof; the rear elevation
view is a mirror image of the front elevation view;

FIG. 11 is a top plan view thereof;

FIG. 12 is a bottom plan view thereof;

FIG. 13 is a top perspective view of another embodiment of
the toy vehicle chassis in accordance with our new design;

FIG. 14 is a bottom rear perspective view of the toy vehicle
chassis in FIG. 13;

FIG. 15 is a right side elevation view thereof; the left side
elevation view is a mirror image of the right side elevation
view;

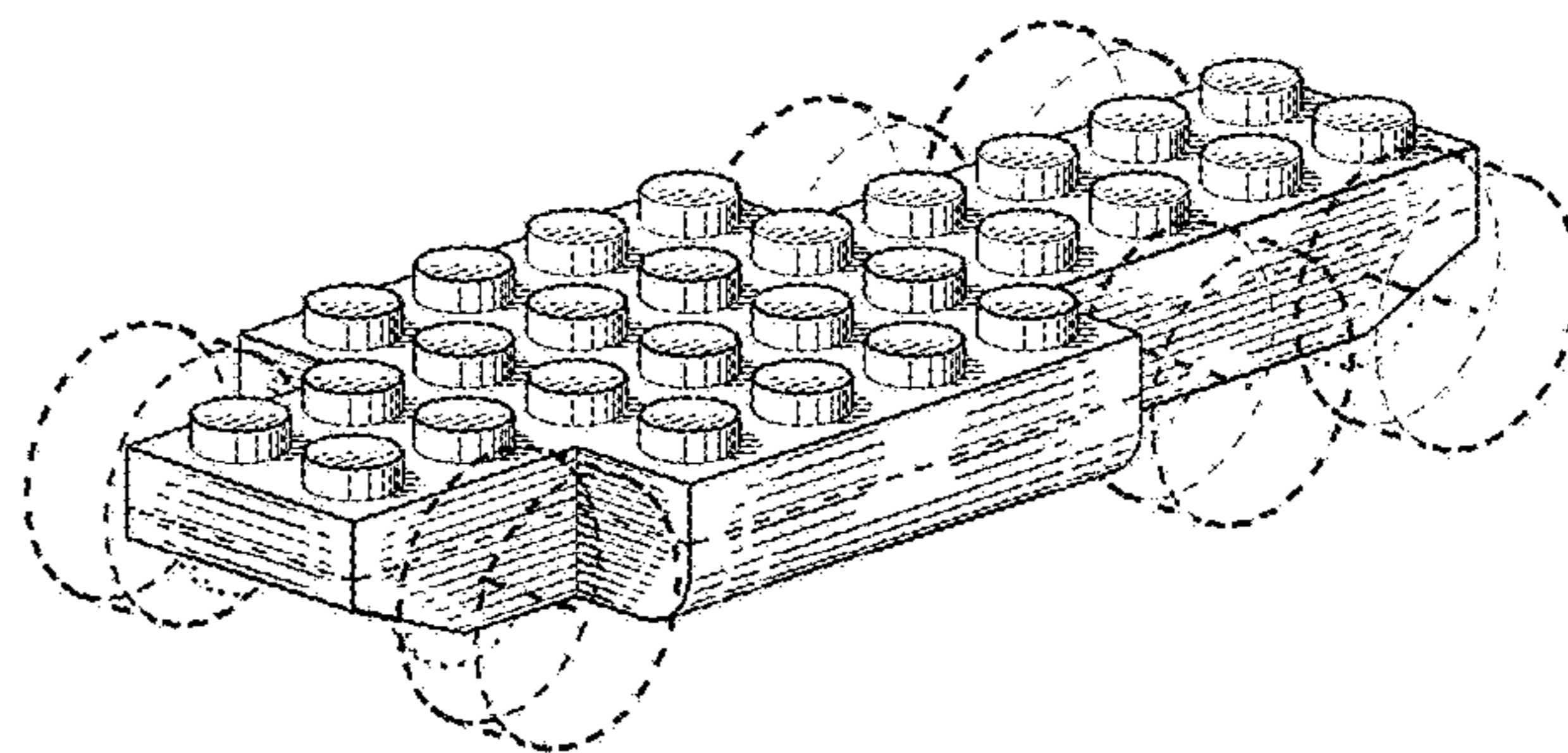
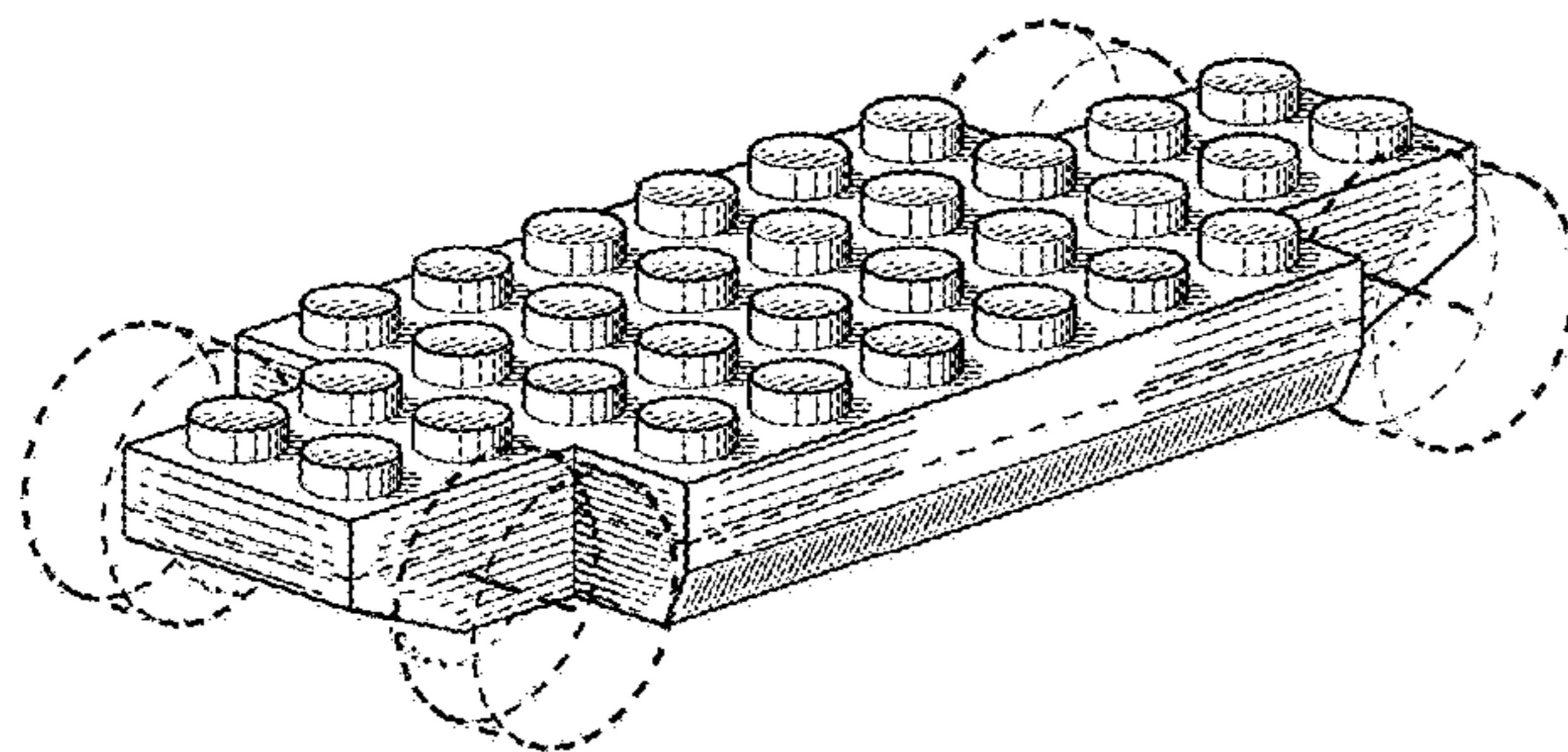
FIG. 16 is a front elevation view thereof; the rear elevation
view is a mirror image of the front elevation view;

FIG. 17 is a top plan view thereof; and,

FIG. 18 is a bottom plan view thereof.

The broken lines are for the purpose of illustrating portions
of the article that form no part of the claim.

1 Claim, 18 Drawing Sheets



(58) **Field of Classification Search**
 CPC A63H 33/08; A63H 33/062; A63H 33/10;
 A63H 33/101; A63H 33/108
 See application file for complete search history.

(56) **References Cited**

U.S. PATENT DOCUMENTS

3,280,500	A	10/1966	Fairbairn	
3,621,609	A	11/1971	LaBranche	
3,711,989	A	1/1973	Nielsen	
4,375,139	A *	3/1983	Chatani	A63H 17/26 446/471
D282,090	S *	1/1986	Takahashi	D21/495
D285,950	S	9/1986	Arigaya	
D295,642	S	5/1988	Olsen	
D295,644	S *	5/1988	Takahashi	D21/562
D296,346	S *	6/1988	Thomsen	D21/558
D325,052	S *	3/1992	Andersen	D21/558
D331,431	S *	12/1992	Jensen	D21/558
D344,552	S *	2/1994	Berggreen	D21/495
D345,398	S *	3/1994	Plagborg	D21/485
D346,628	S *	5/1994	Ruszkai	D21/562
D346,629	S	5/1994	Ruszkai	
D351,630	S	10/1994	Jensen	
D351,631	S *	10/1994	Thomsen	D21/485
D363,323	S	10/1995	Thomsen	
D375,331	S	11/1996	Pagel	
D384,998	S	10/1997	Host	

D394,469	S *	5/1998	Nielsen	D21/500
D394,680	S	5/1998	Andersen	
D395,064	S *	6/1998	Pagel	D21/484
D395,470	S *	6/1998	Rahbek	D21/484
D412,725	S *	8/1999	Nielsen	D21/562
D541,882	S *	5/2007	Petersen	D21/495
9,636,602	B1	5/2017	Samo	
D830,477	S *	10/2018	Jensen	D21/491
D845,397	S *	4/2019	Cohen	D21/484
D845,399	S *	4/2019	Kahl	D21/495
D846,035	S *	4/2019	Kahl	D21/495
D854,629	S *	7/2019	Zhang	D21/495
2005/0215172	A1 *	9/2005	Chen	A63H 17/002 446/427
2011/0129804	A1 *	6/2011	Choi	A63H 33/042 434/118
2017/0189826	A1 *	7/2017	Chin	A63H 33/086

OTHER PUBLICATIONS

Mega Bloks Hot Wheels Sling Shot vehicle base—photographed Sep. 8, 2020.
 Hot Wheels Zoom in toy vehicle—photographed Sep. 8, 2020.
 “Vehicle base”—select results from BrickOwl search <https://www.brickowl.com/catalog/lego-parts/vehicle/base> Retrieved Sep. 9, 2020 p. 5-7.
 “Chassis”—select results from BrickOwl search <https://www.brickowl.com/search/catalog?query=chassis> Retrieved Sep. 9, 2020 p. 8-11.

* cited by examiner

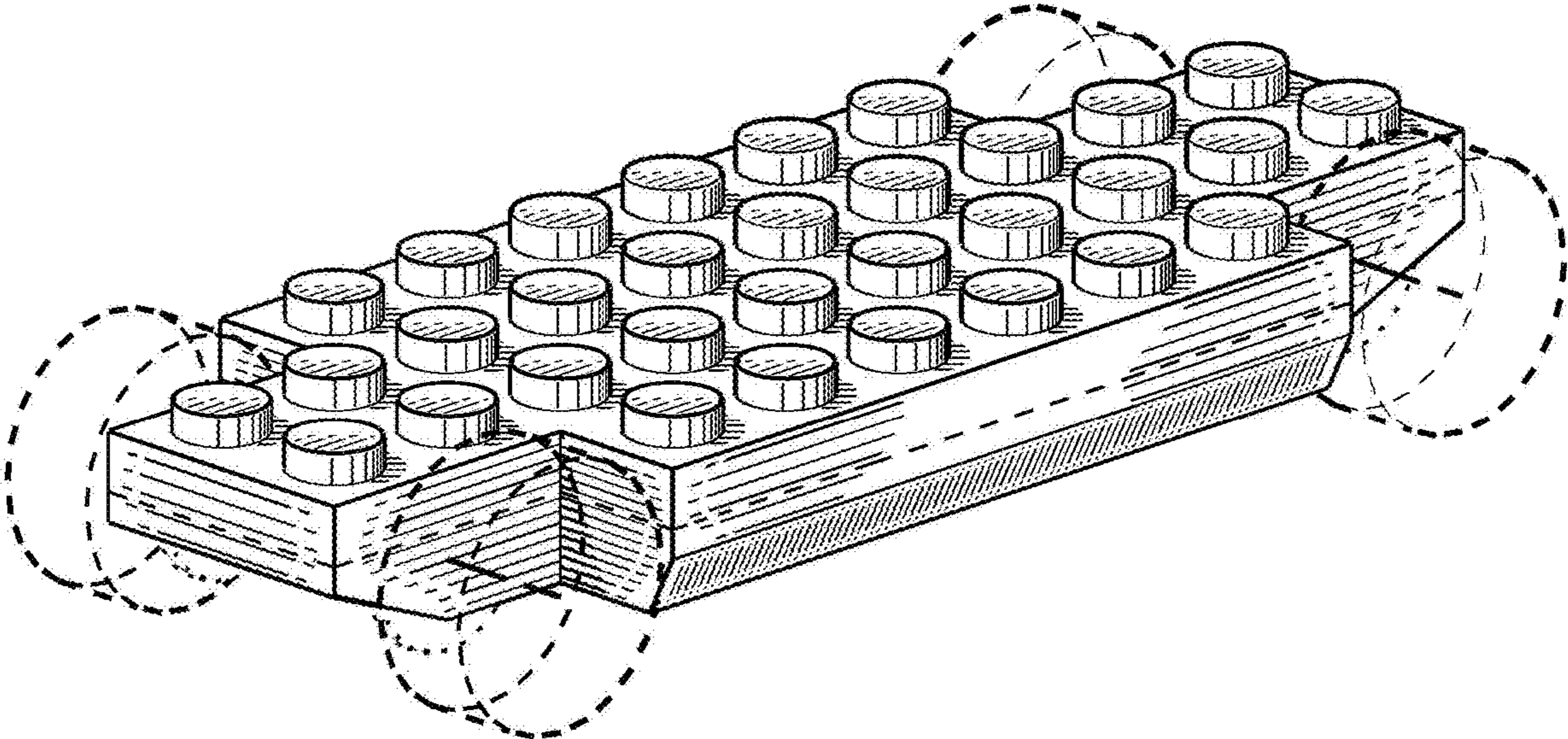


FIG. 1

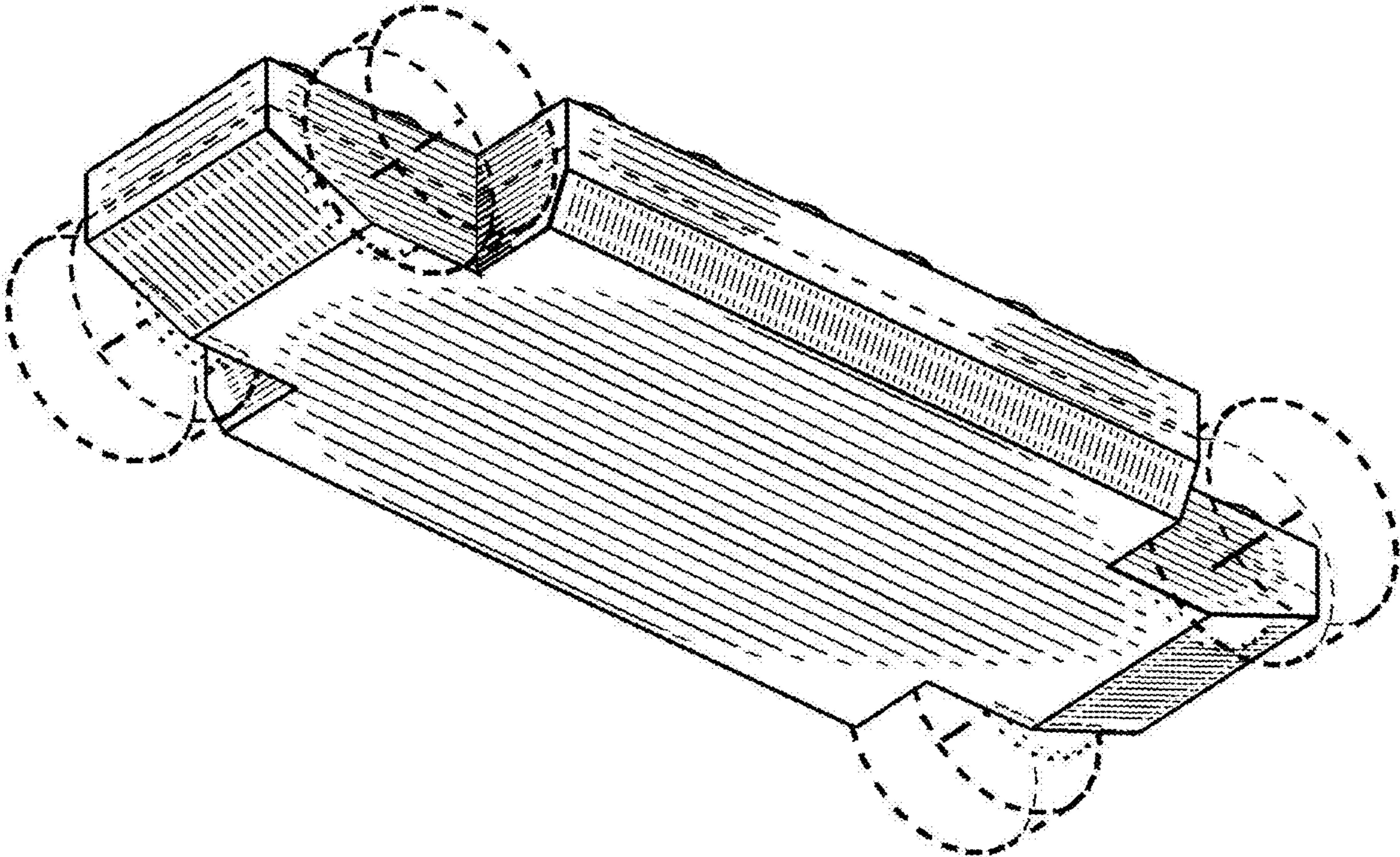


FIG. 2

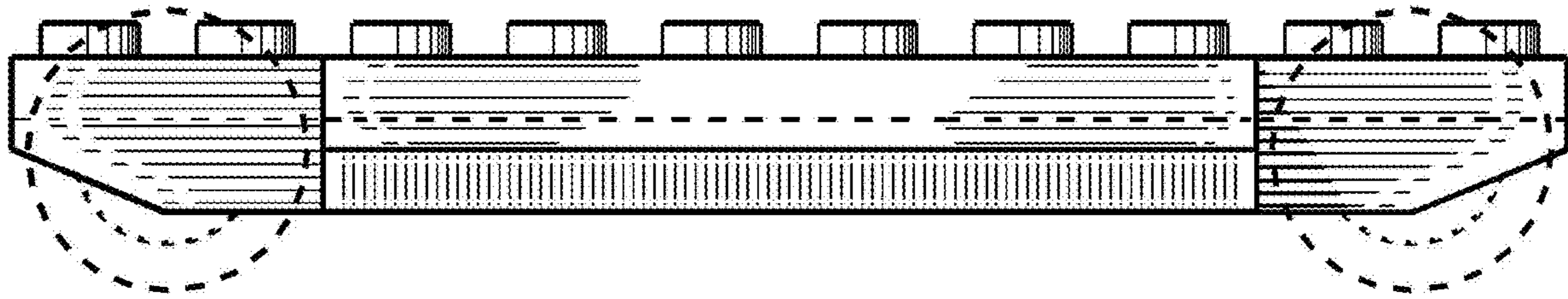


FIG. 3

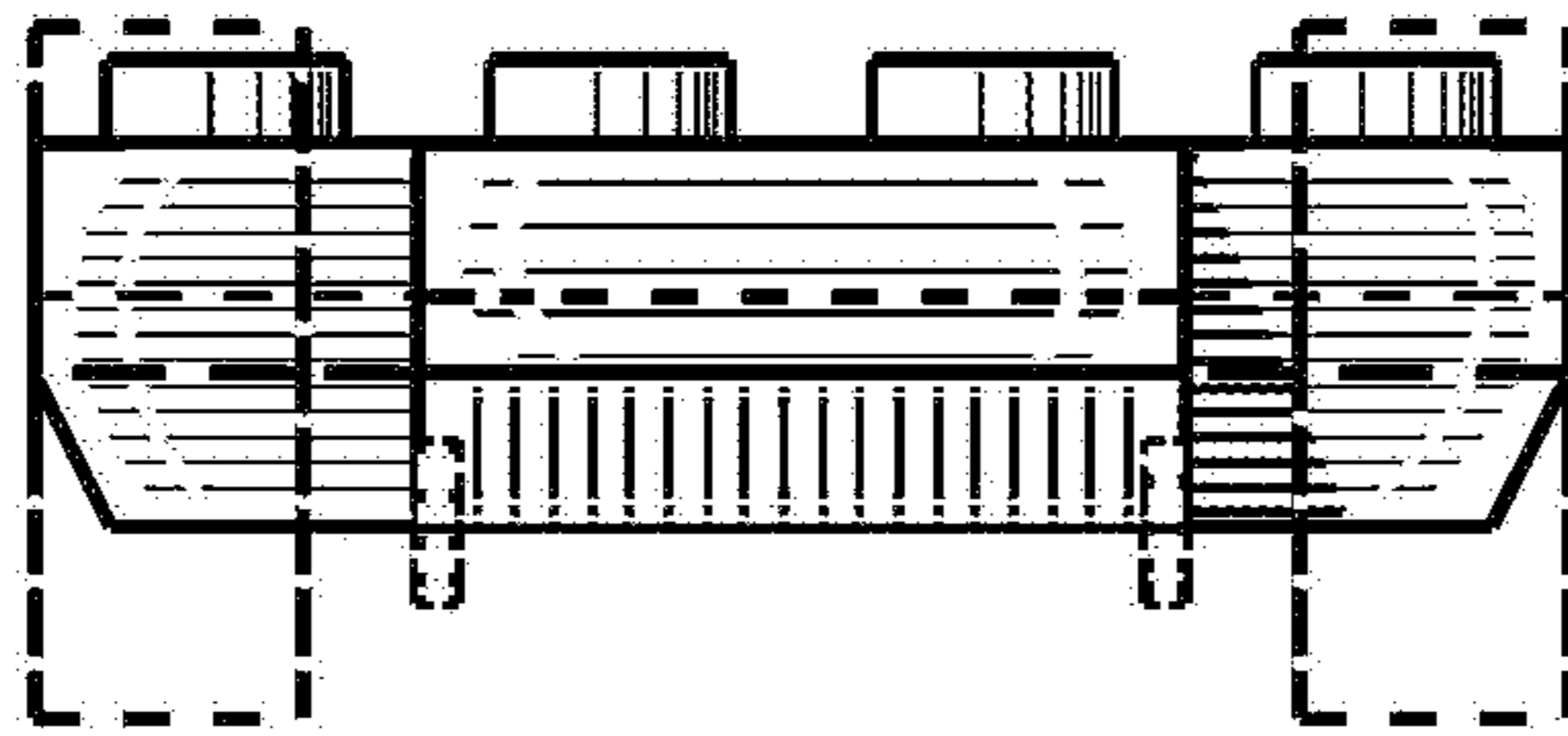


FIG. 4

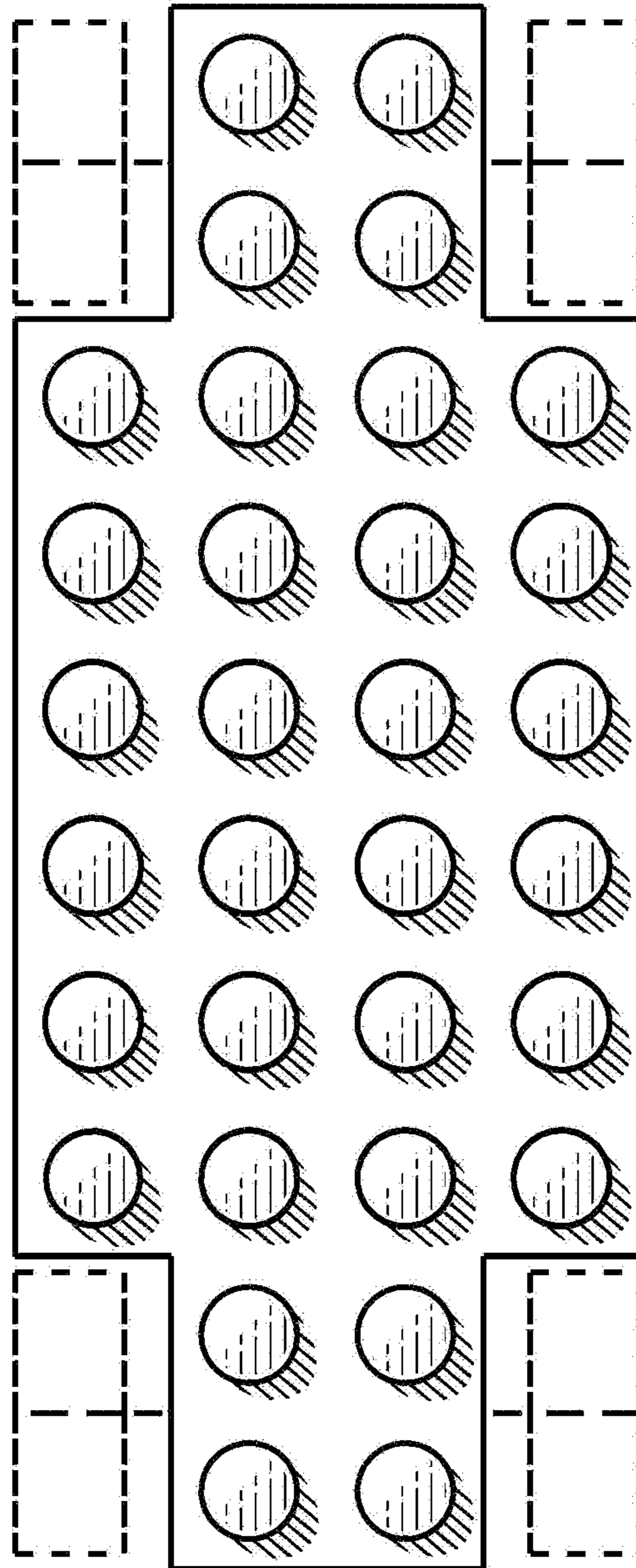


FIG. 5

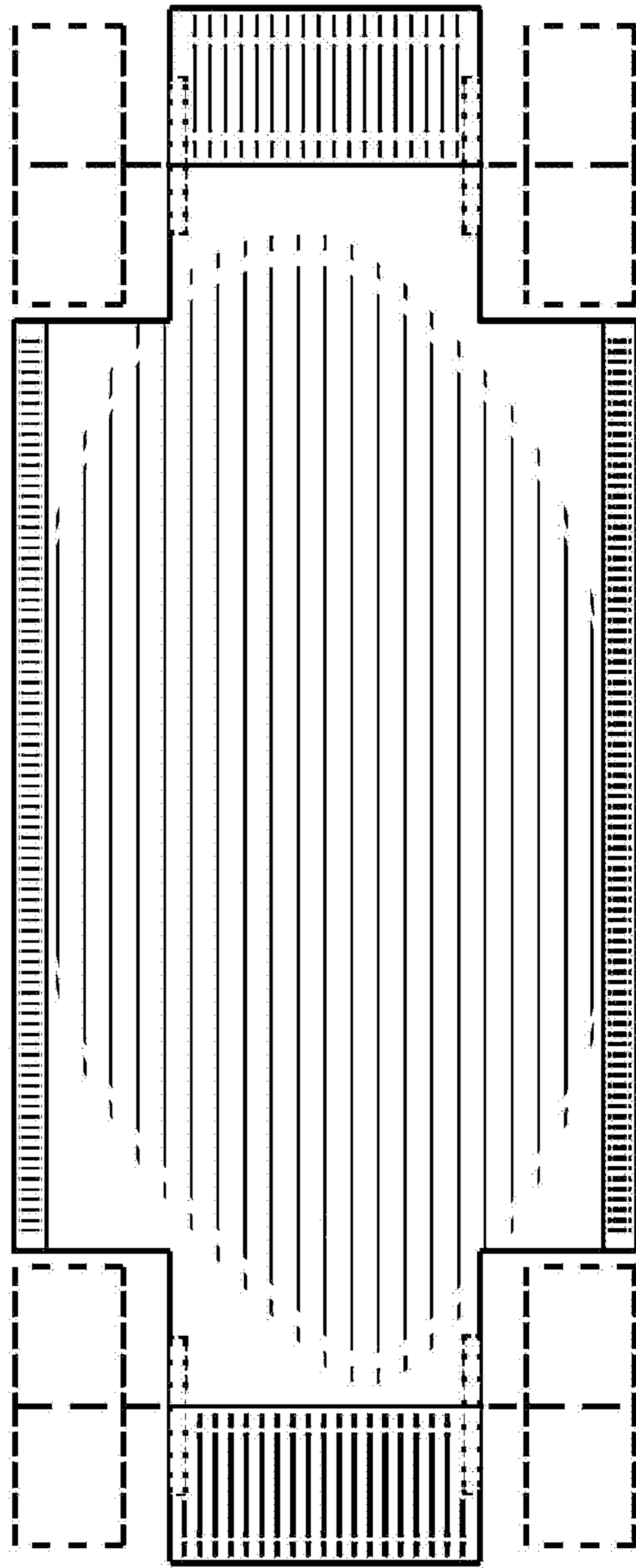


FIG. 6

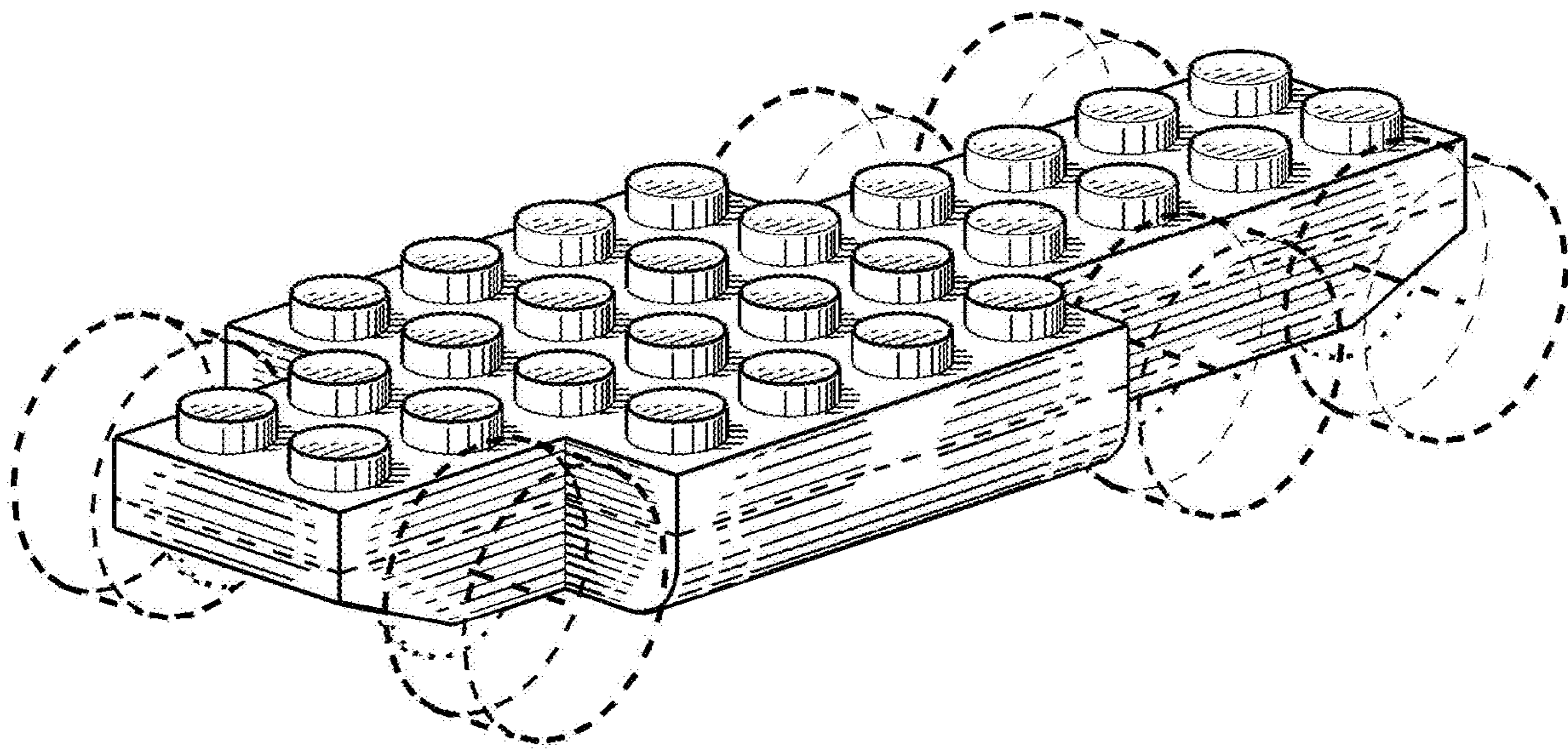


FIG. 7

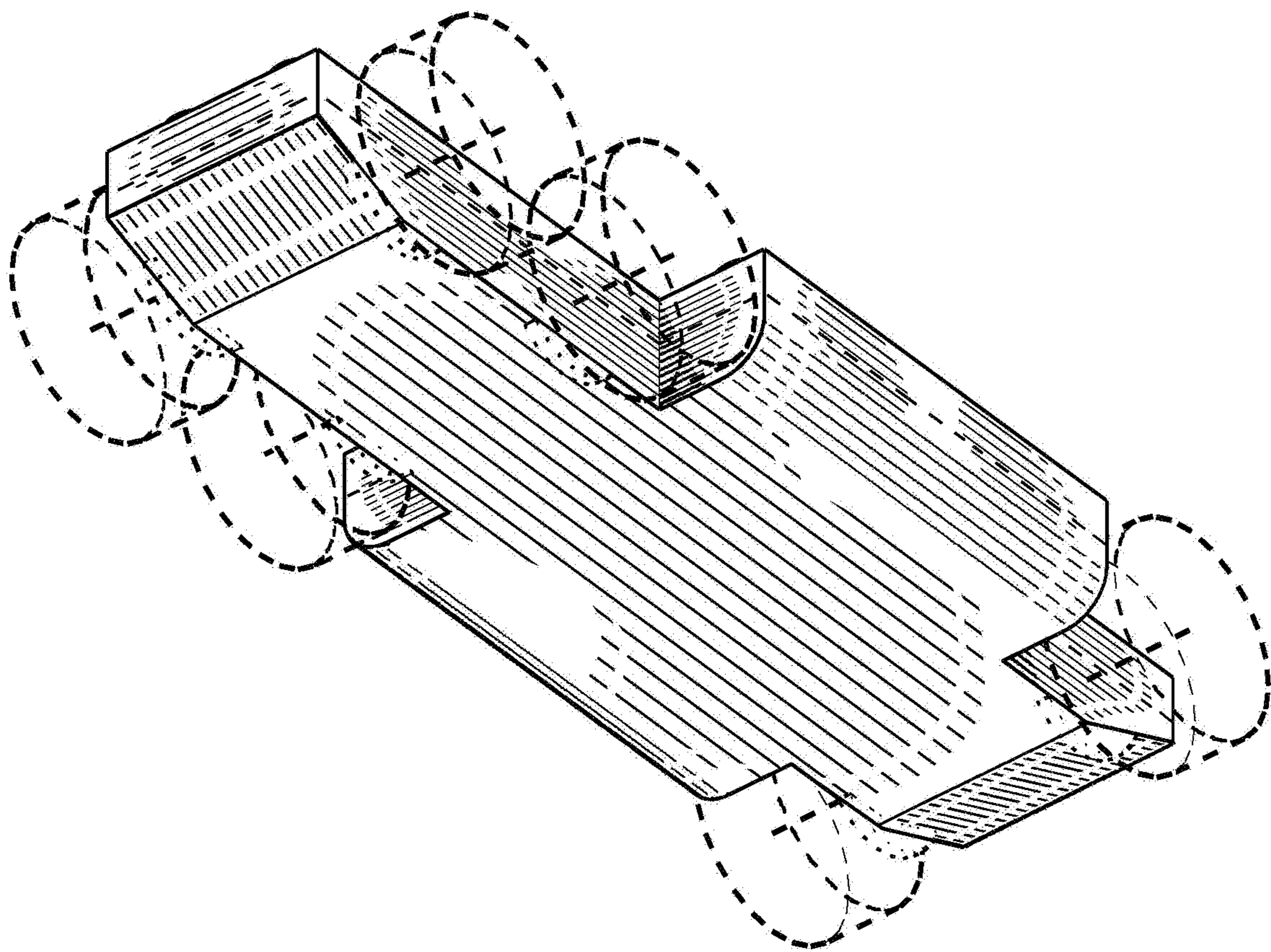


FIG. 8

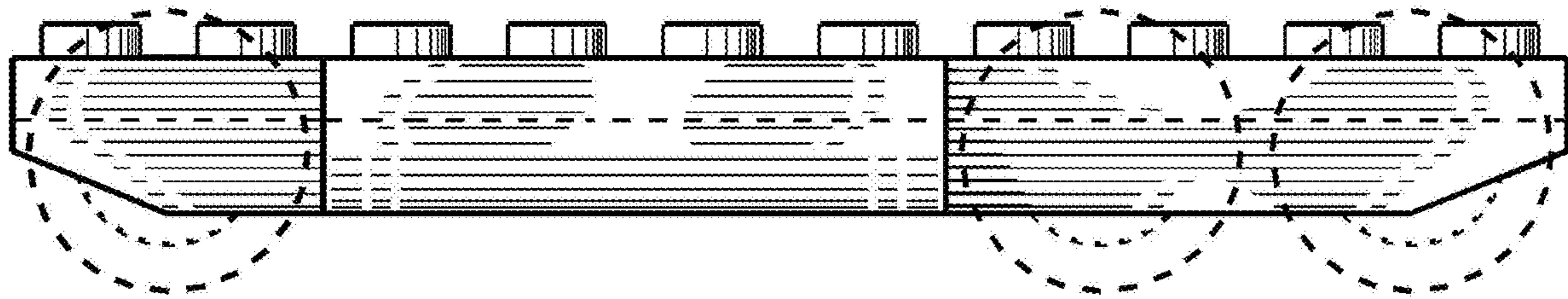


FIG. 9

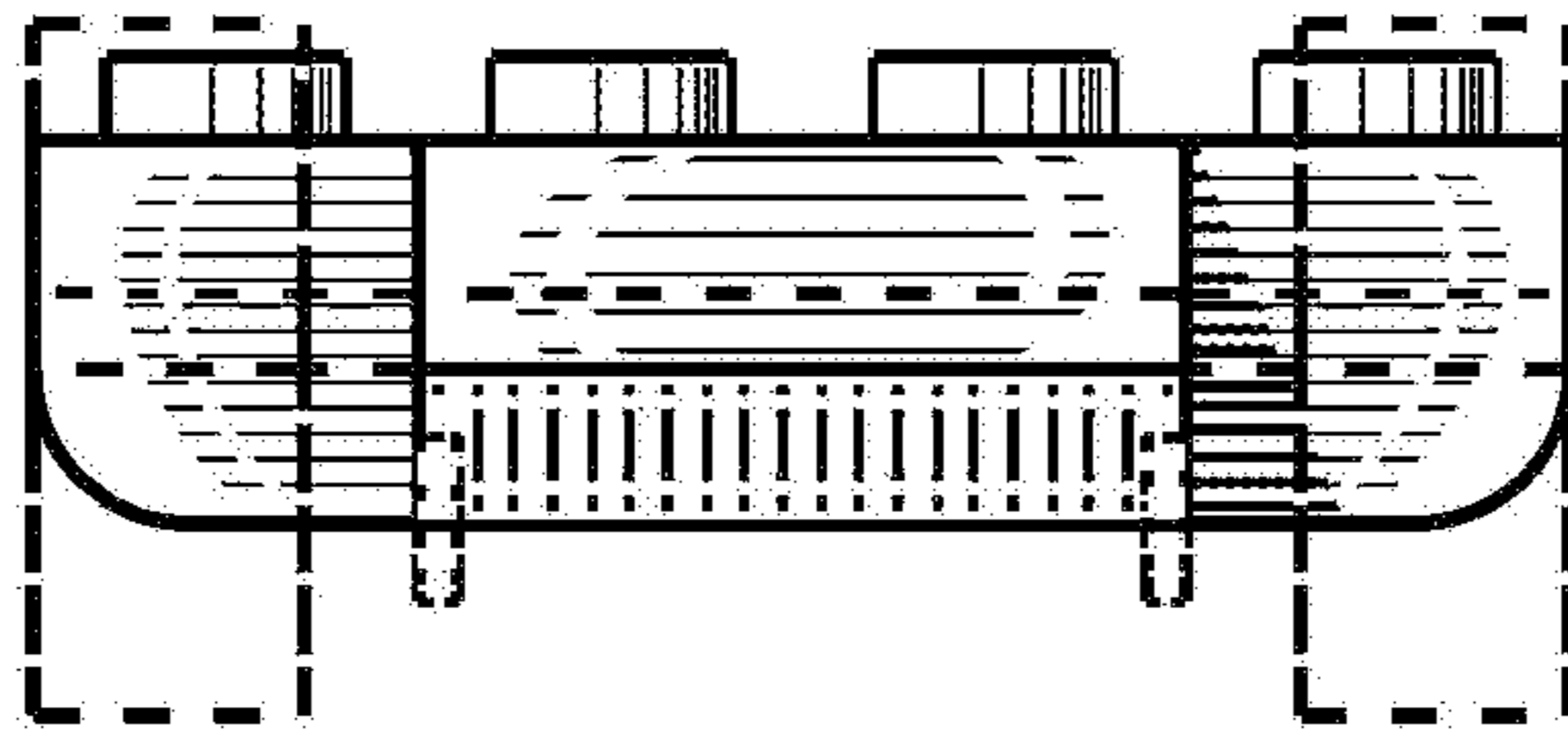


FIG. 10

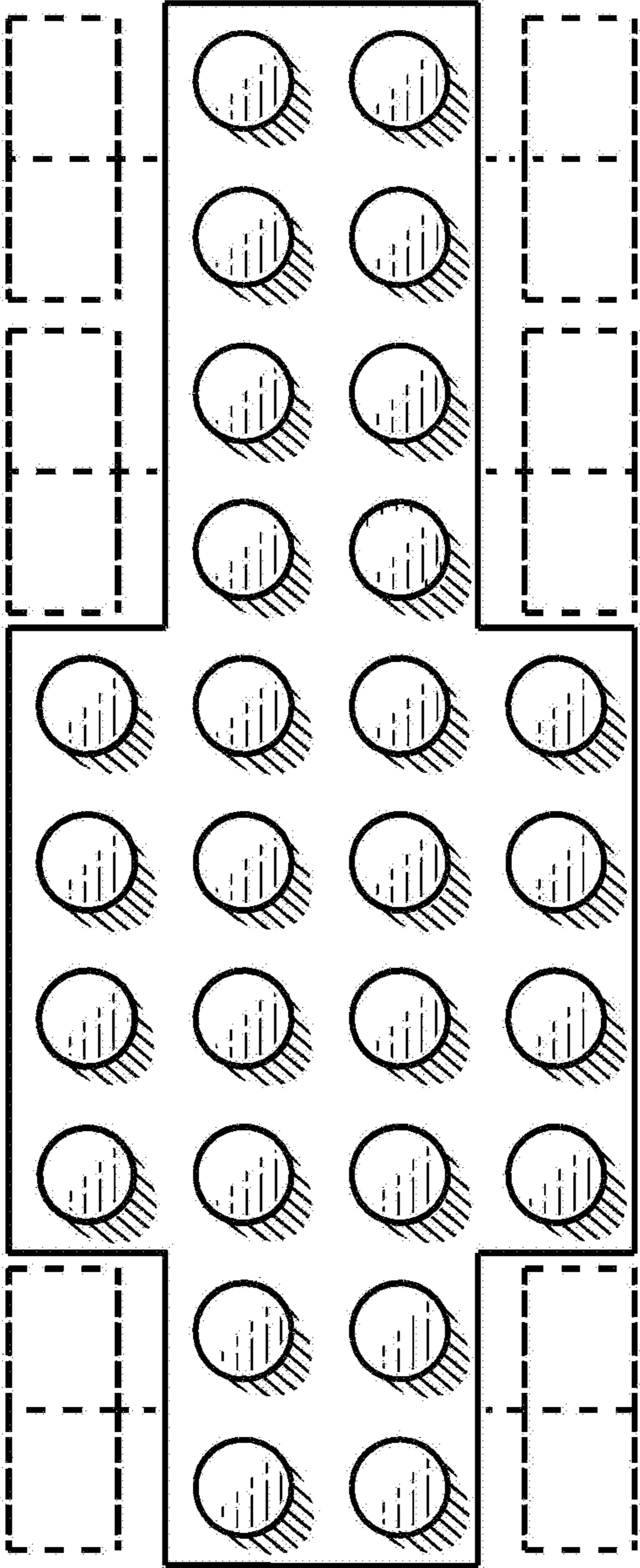


FIG. 11

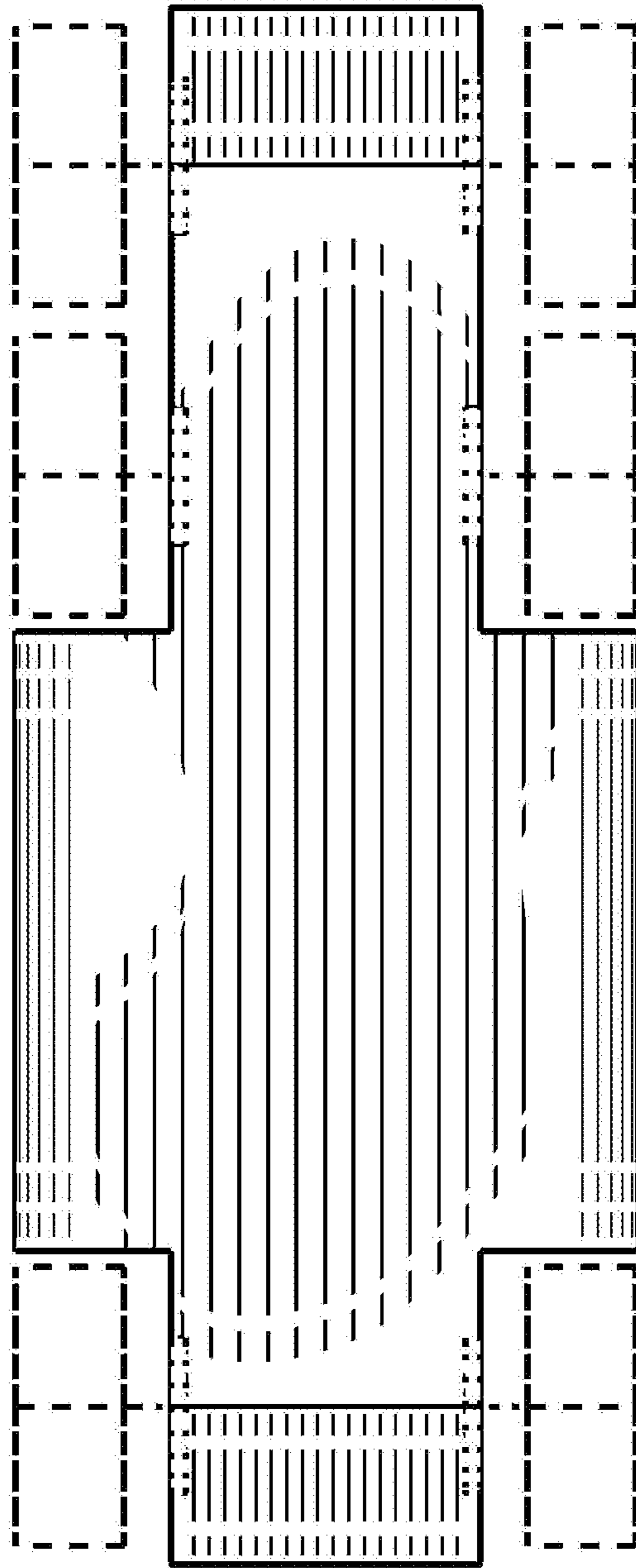


FIG. 12

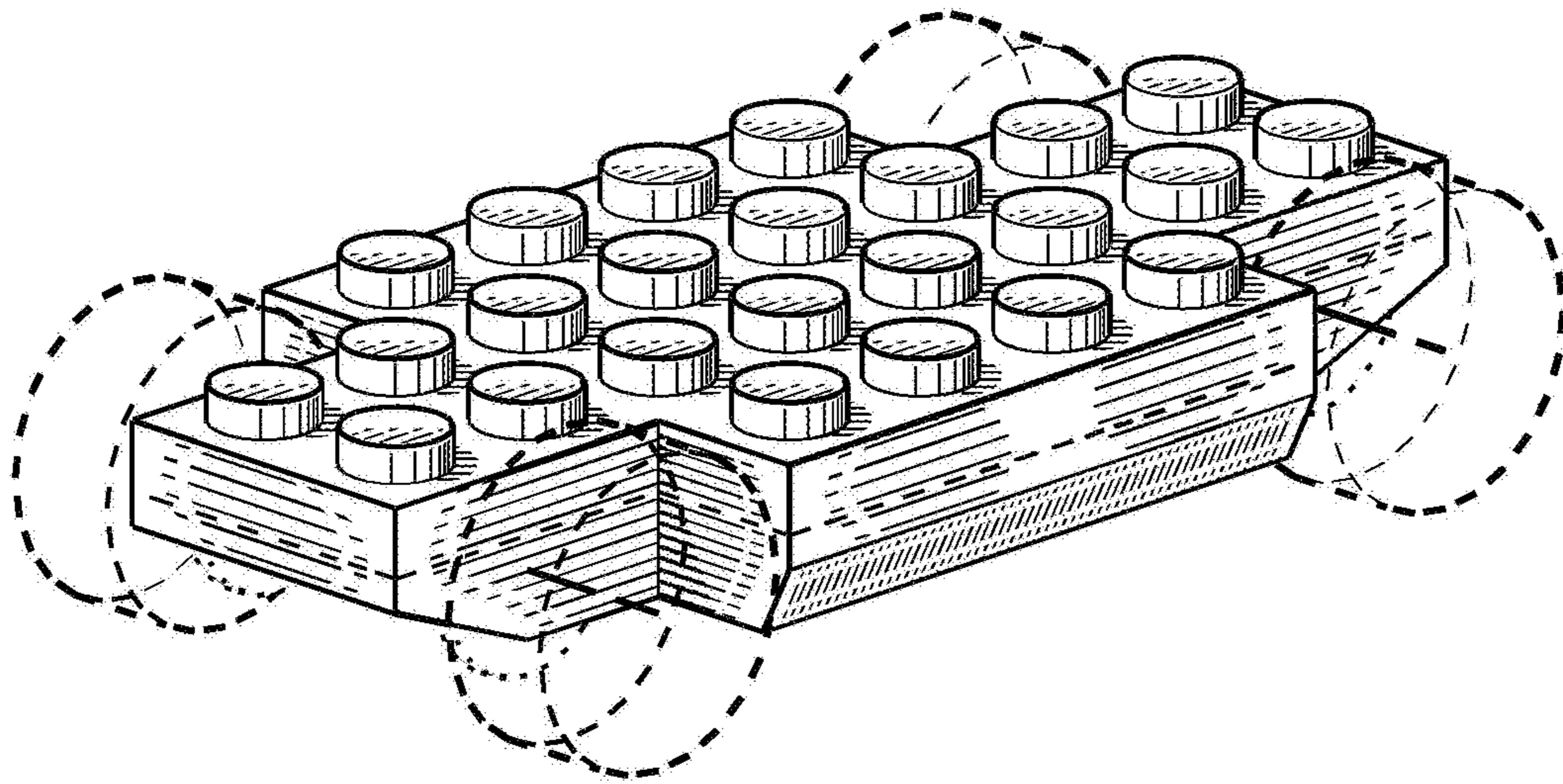


FIG. 13

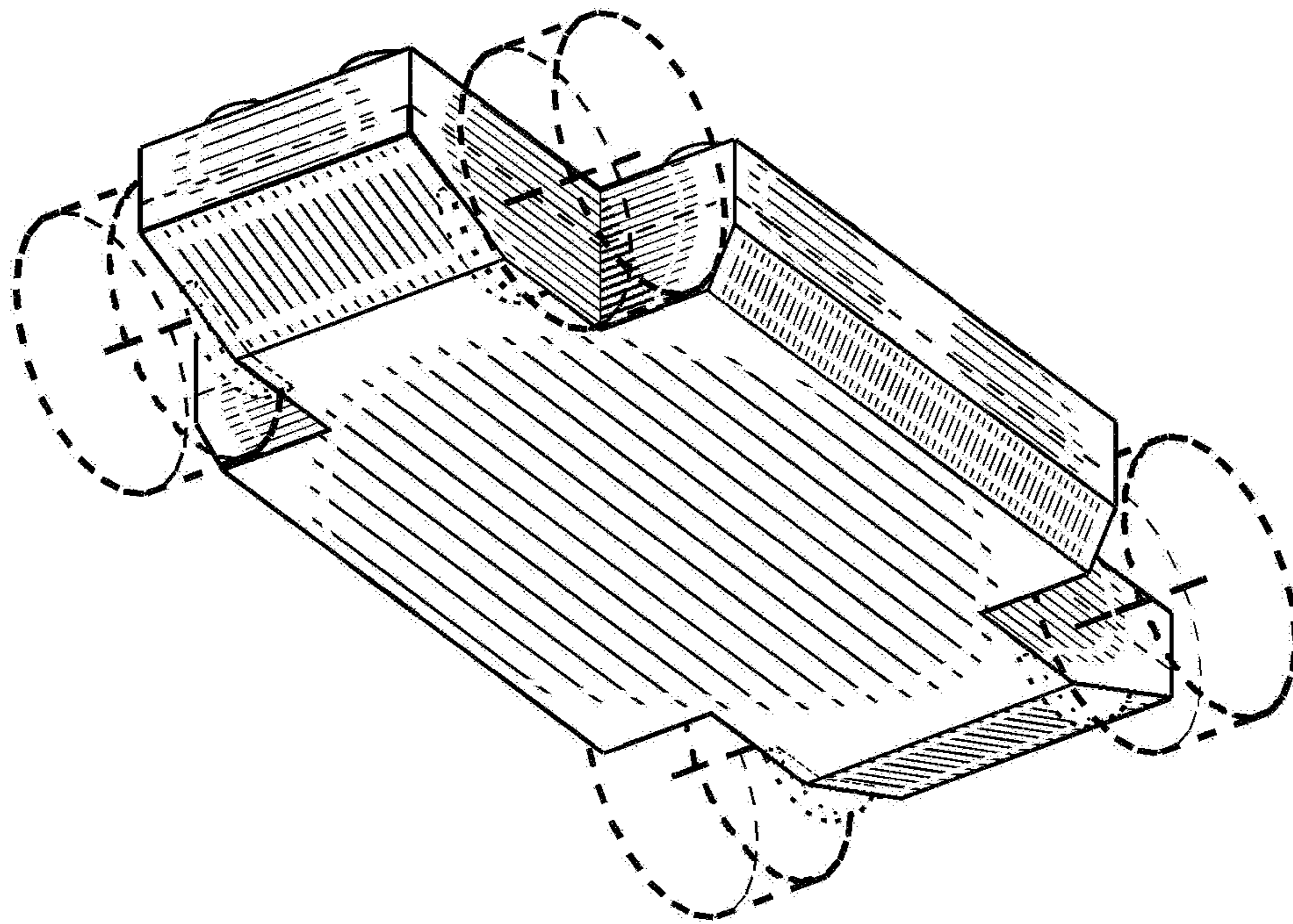


FIG. 14

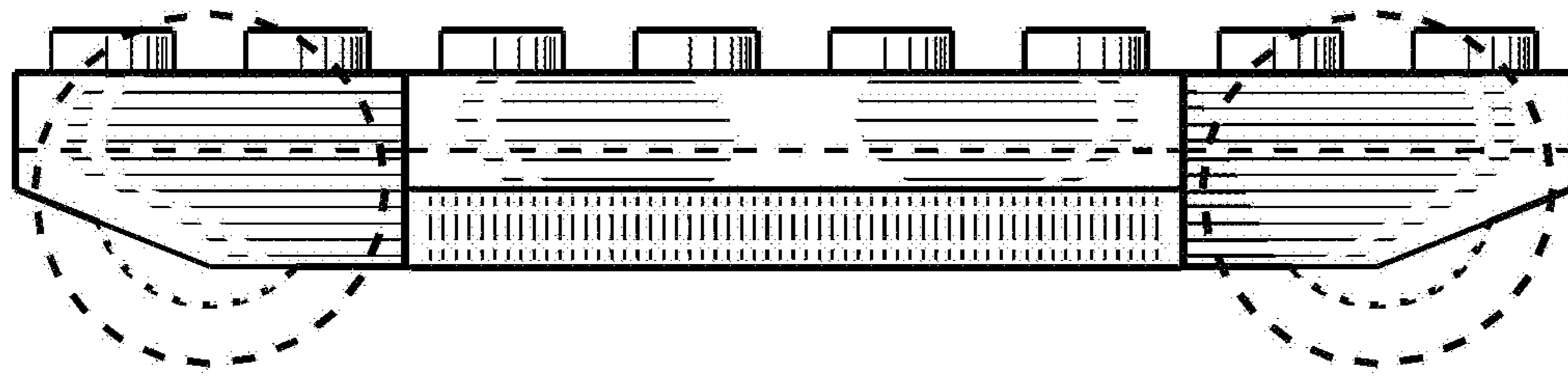


FIG. 15

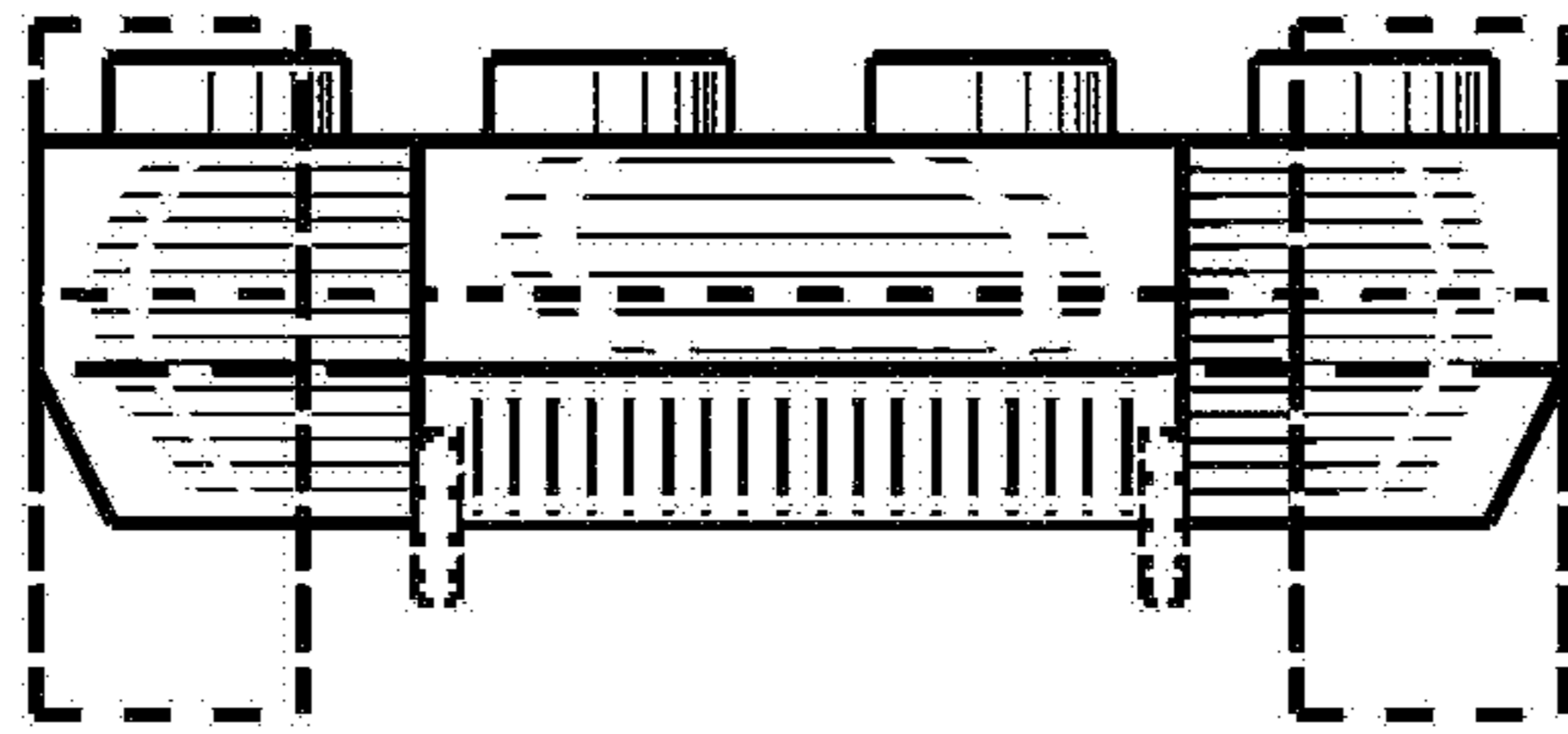


FIG. 16

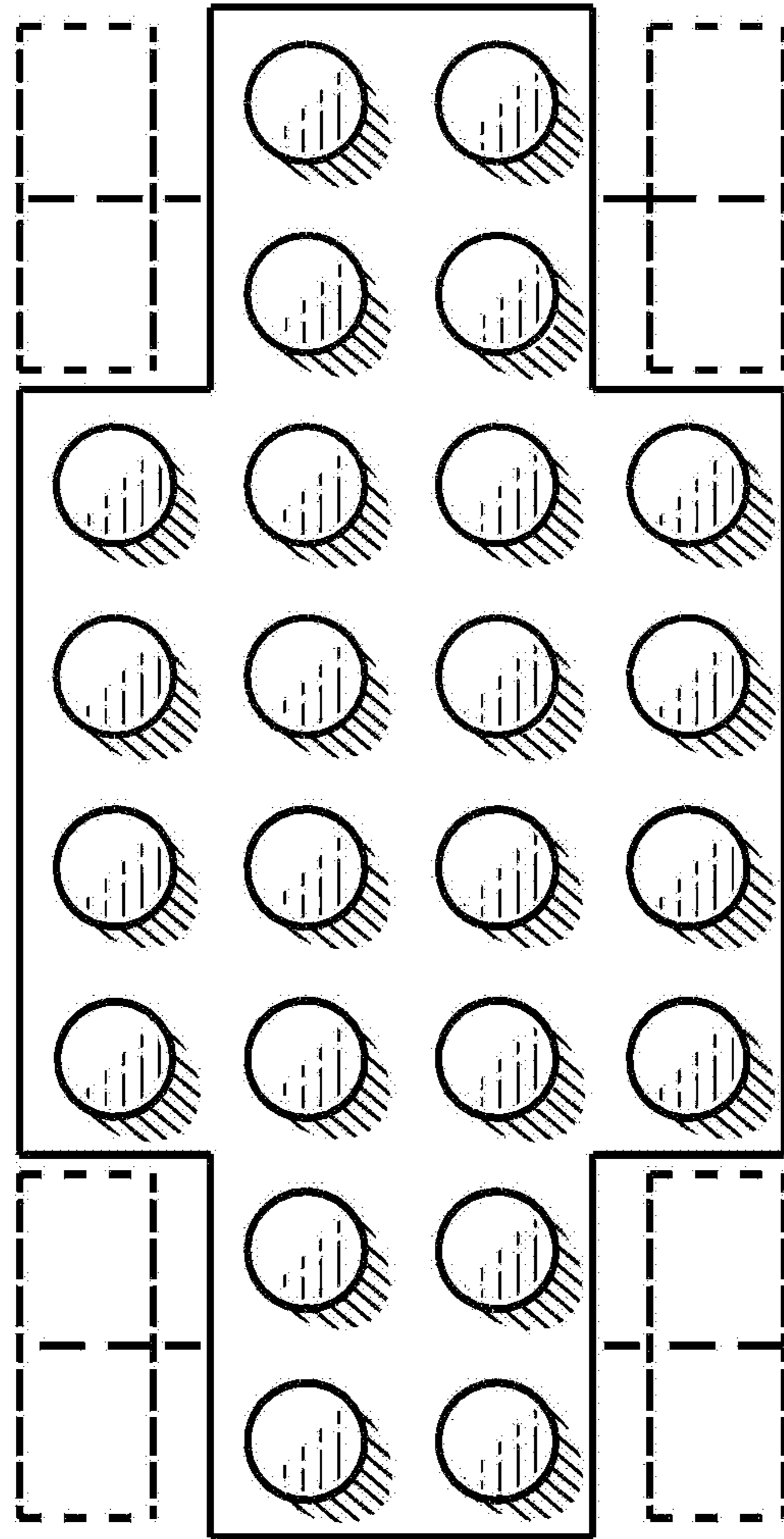


FIG. 17

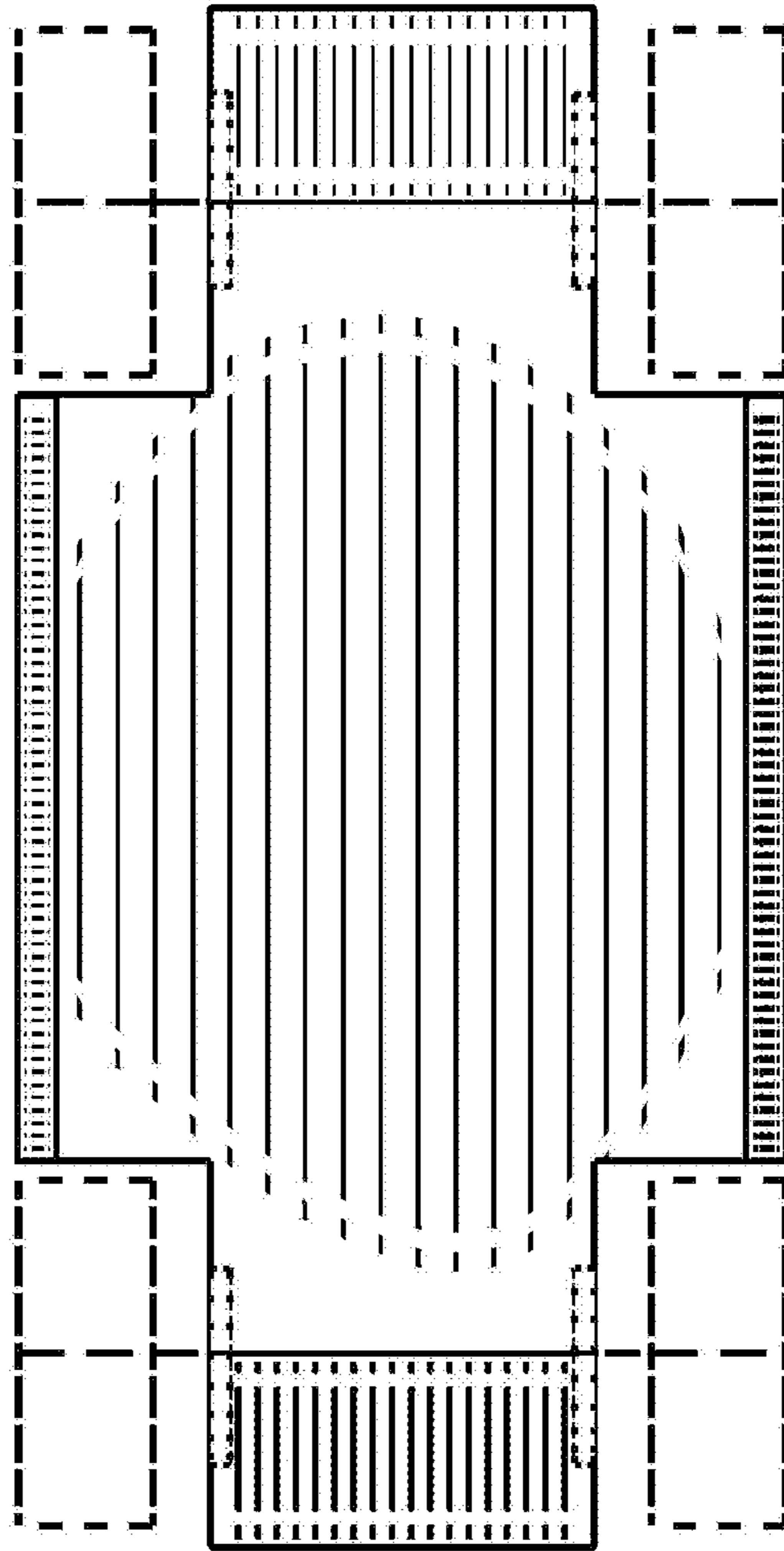


FIG. 18