



US00D965693S

(12) **United States Design Patent**
Li

(10) **Patent No.:** **US D965,693 S**

(45) **Date of Patent:** **** Oct. 4, 2022**

(54) **HULA HOOP**

(71) Applicant: **YIWU JIEFENG PLASTICS
MANUFACTURING CO., LTD,**
Jinhua (CN)

(72) Inventor: **Jie Li, Fuzhou (CN)**

(73) Assignee: **YIWU JIEFENG PLASTICS
MANUFACTURING CO., LTD,**
Jinhua (CN)

(**) Term: **15 Years**

(21) Appl. No.: **29/768,998**

(22) Filed: **Feb. 2, 2021**

(30) **Foreign Application Priority Data**

Sep. 27, 2020 (CN) 202030580308.4

(51) **LOC (13) Cl.** **21-01**

(52) **U.S. Cl.**
USPC **D21/457**

(58) **Field of Classification Search**
USPC D21/468, 455, 456, 797, 457; D30/160
CPC . A63B 19/00; A63B 21/0618; A63B 21/0608;
A63B 21/4009; A63B 21/22
See application file for complete search history.

(56) **References Cited**

U.S. PATENT DOCUMENTS

- 3,509,660 A * 5/1970 Seymour A63B 21/0608
473/576
- D399,969 S * 10/1998 Lin D24/200
- D442,233 S * 5/2001 Seo D21/457
- D442,234 S * 5/2001 Seo D21/457
- 6,309,273 B1 * 10/2001 Kim A63B 19/00
446/28
- D450,097 S * 11/2001 Seo D21/457
- 6,440,047 B1 * 8/2002 Huang A63B 19/00
446/236

- 6,533,635 B1 * 3/2003 Chern A63B 19/02
446/236
- 9,687,688 B2 * 6/2017 Hsiao A63B 21/0618
- D847,910 S * 5/2019 Yoon D21/457
- 10,420,979 B2 * 9/2019 Estrada, Jr. A63B 21/0603
- 10,639,516 B2 * 5/2020 Thomas A63B 21/0004
- D937,357 S * 11/2021 Ju D21/457
- 11,173,336 B1 * 11/2021 Xu A63B 21/0608
- D954,857 S * 6/2022 Yang D21/662

(Continued)

OTHER PUBLICATIONS

Ansiovon Weighted Hula Hoop Smart Hula Hoops. Date First Available: Apr. 23, 2022. Retrieved from internet: <<https://www.amazon.com/dp/B09YNNHG4T/>> [site visited Jun. 28, 2022] (Year: 2022).*

(Continued)

Primary Examiner — Katherine Glennon

Assistant Examiner — Yuan Yuan

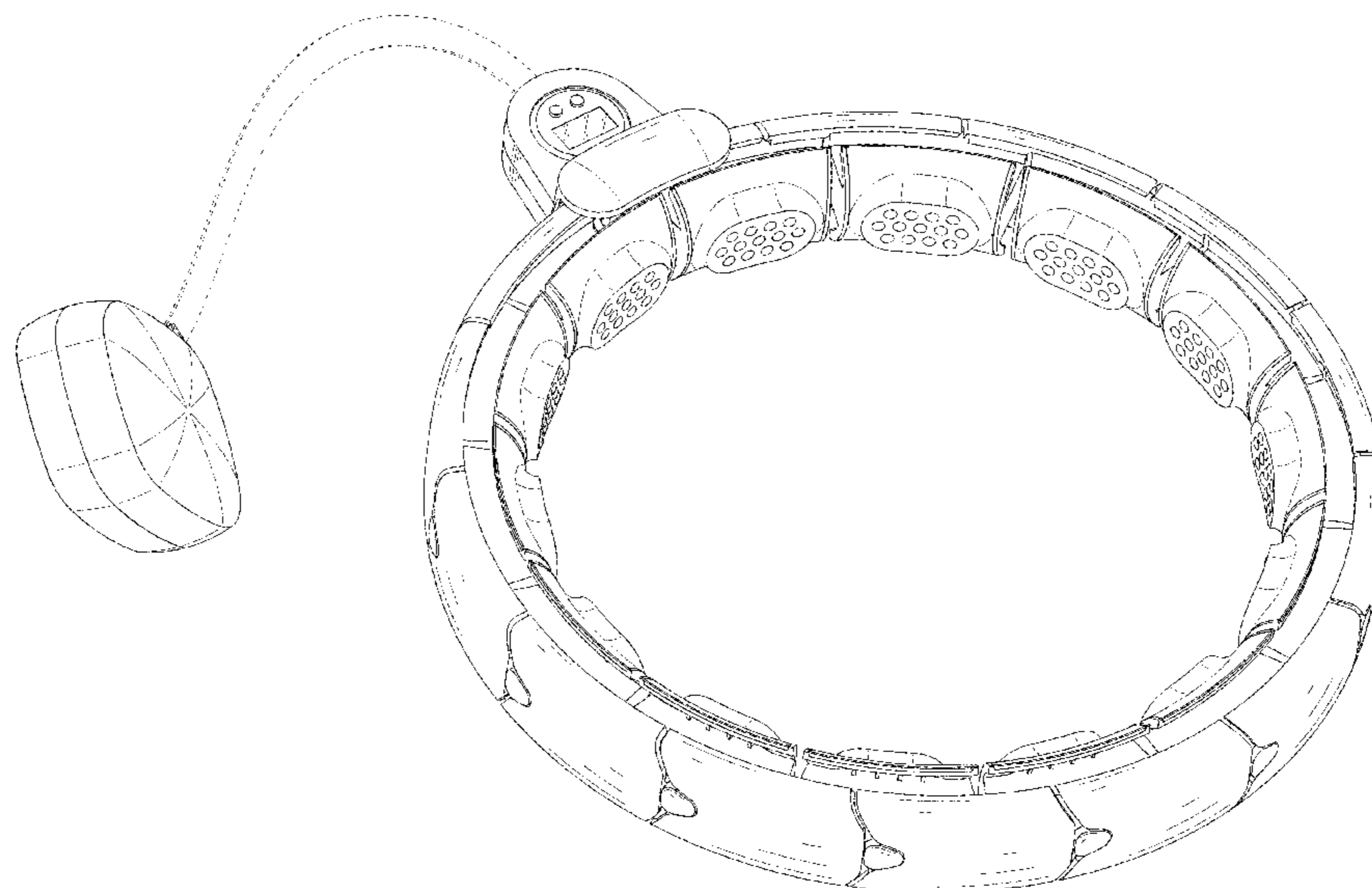
(57) **CLAIM**

The ornamental design for a hula hoop, as shown and described.

DESCRIPTION

FIG. 1 is a perspective view of a hula hoop showing my new design;
FIG. 2 is another perspective view thereof;
FIG. 3 is a front elevational view thereof;
FIG. 4 is a rear elevational view thereof;
FIG. 5 is a left side elevational view thereof;
FIG. 6 is a right side elevational view thereof;
FIG. 7 is a top plan view thereof;
FIG. 8 is a bottom plan view thereof; and,
FIG. 9 is an enlarged view of portion 9 shown in FIG. 2.
The broken lines in the drawings depict portions of the hula hoop that form no part of the claimed design.

1 Claim, 9 Drawing Sheets



(56)

References Cited

U.S. PATENT DOCUMENTS

2006/0094324 A1* 5/2006 Kelley A63H 33/28
446/15
2014/0342882 A1* 11/2014 Huang A63B 21/222
482/110
2017/0100620 A1* 4/2017 Hsiao A63B 21/0618
2021/0252323 A1* 8/2021 Lu A63B 21/151
2021/0299508 A1* 9/2021 Gupilan, Sr. A63B 19/02

OTHER PUBLICATIONS

Weighted Hula Hoop for Adults Weight Loss. Date First Available:
Sep. 22, 2021. Retrieved from internet: <<https://www.amazon.com/dp/B09GVQGVS5/>> [site visited Jun. 28, 2022] (Year: 2021).*

* cited by examiner

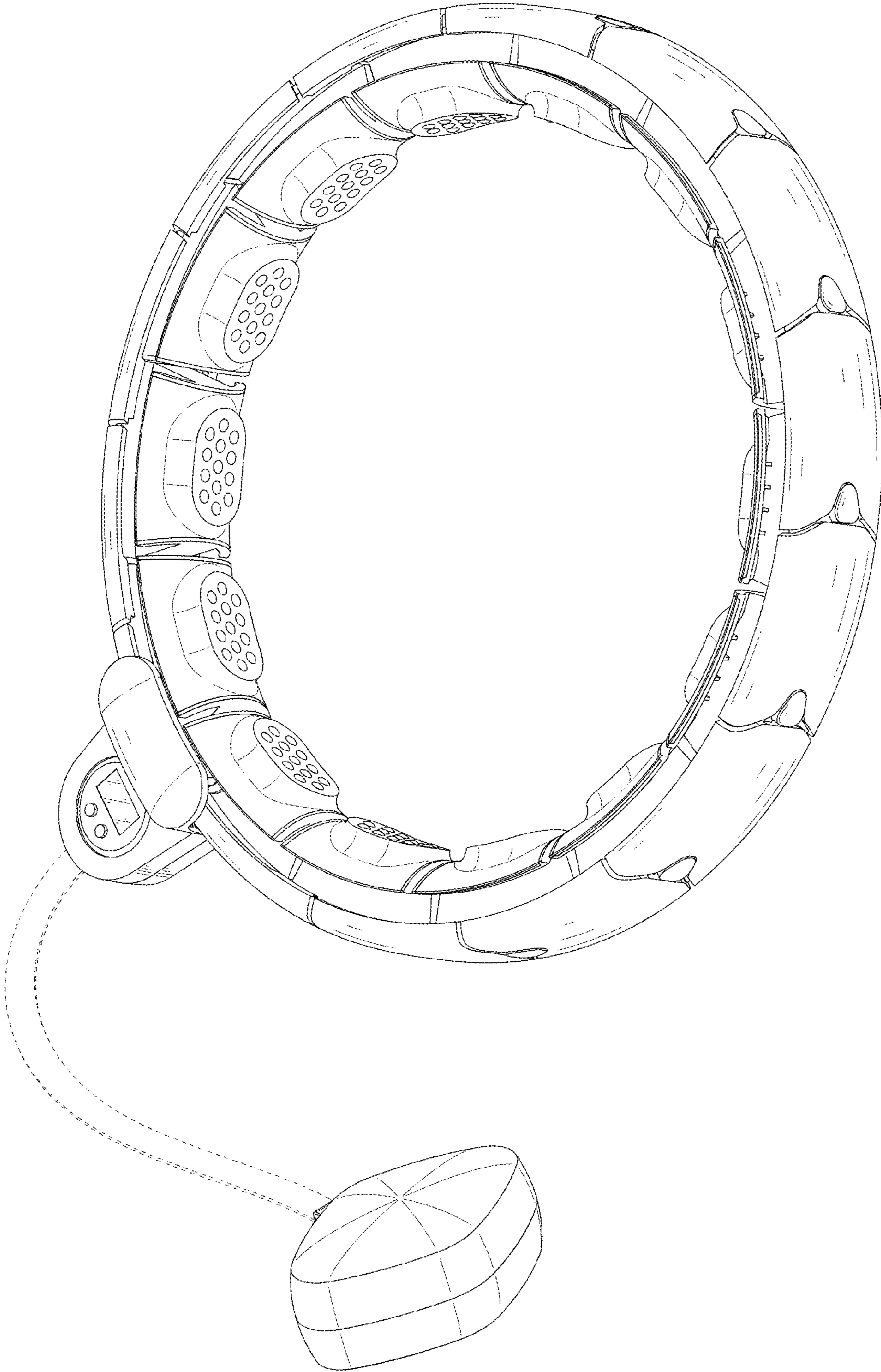


FIG. 1

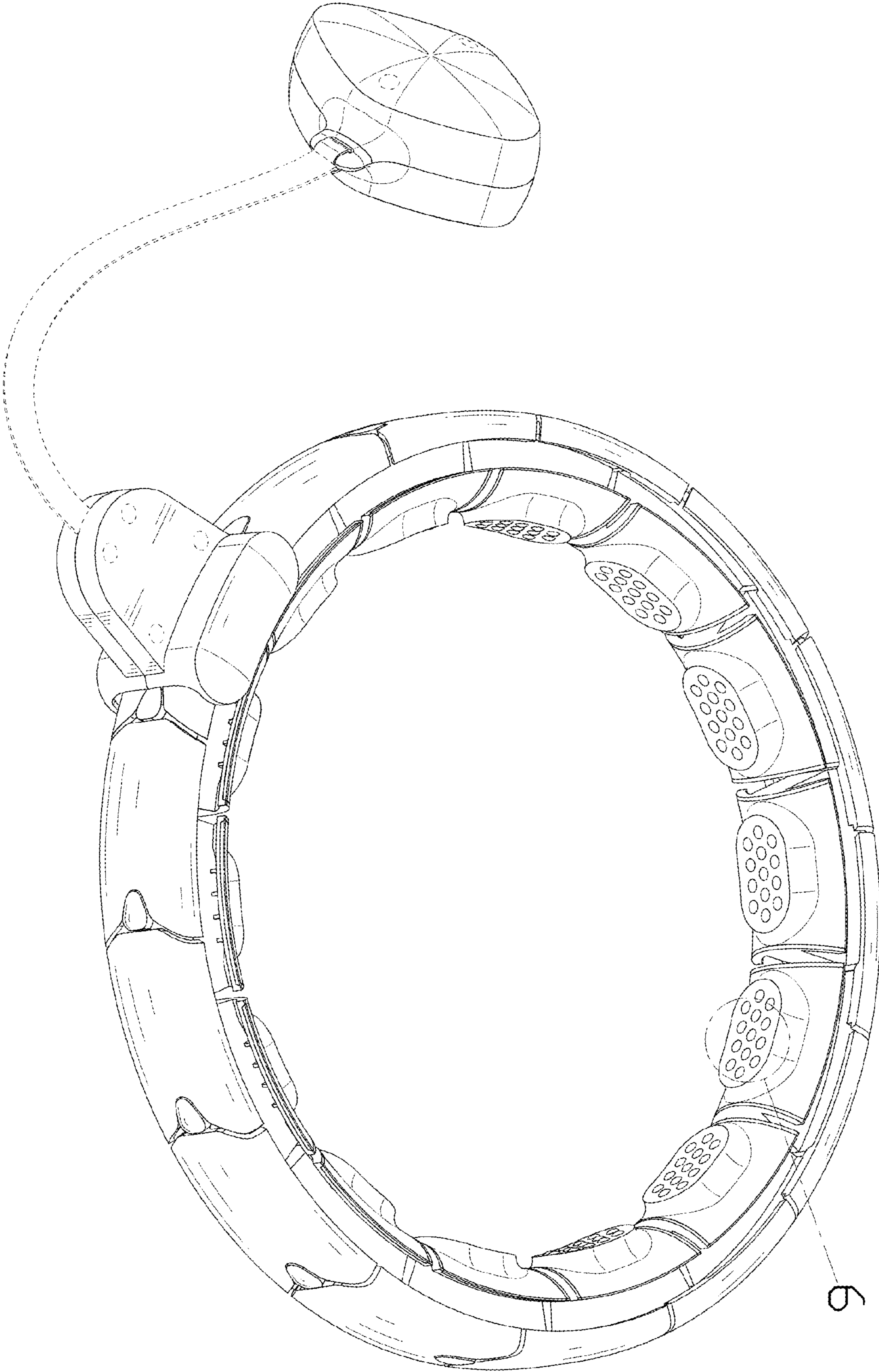


FIG. 2

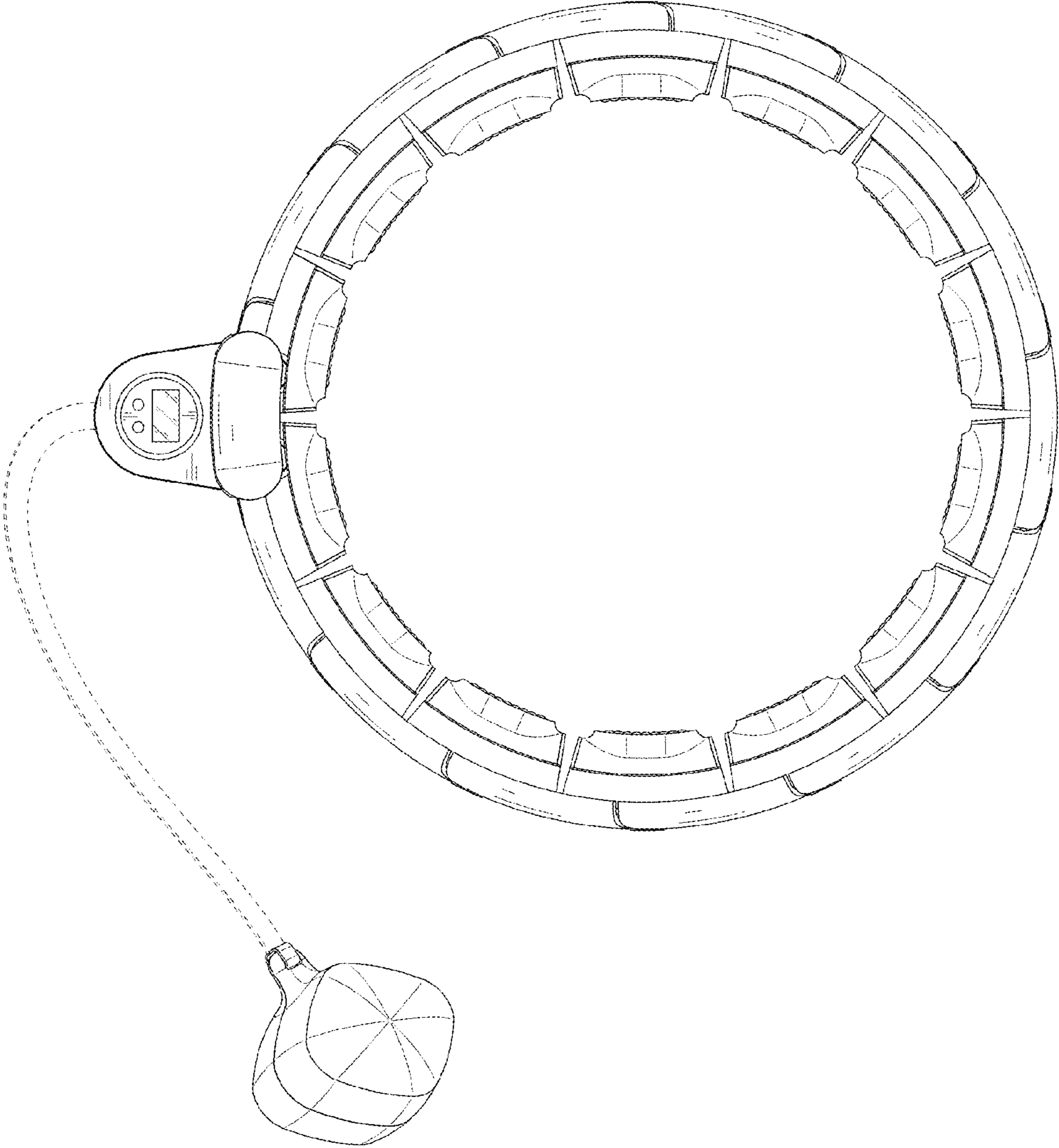


FIG. 3

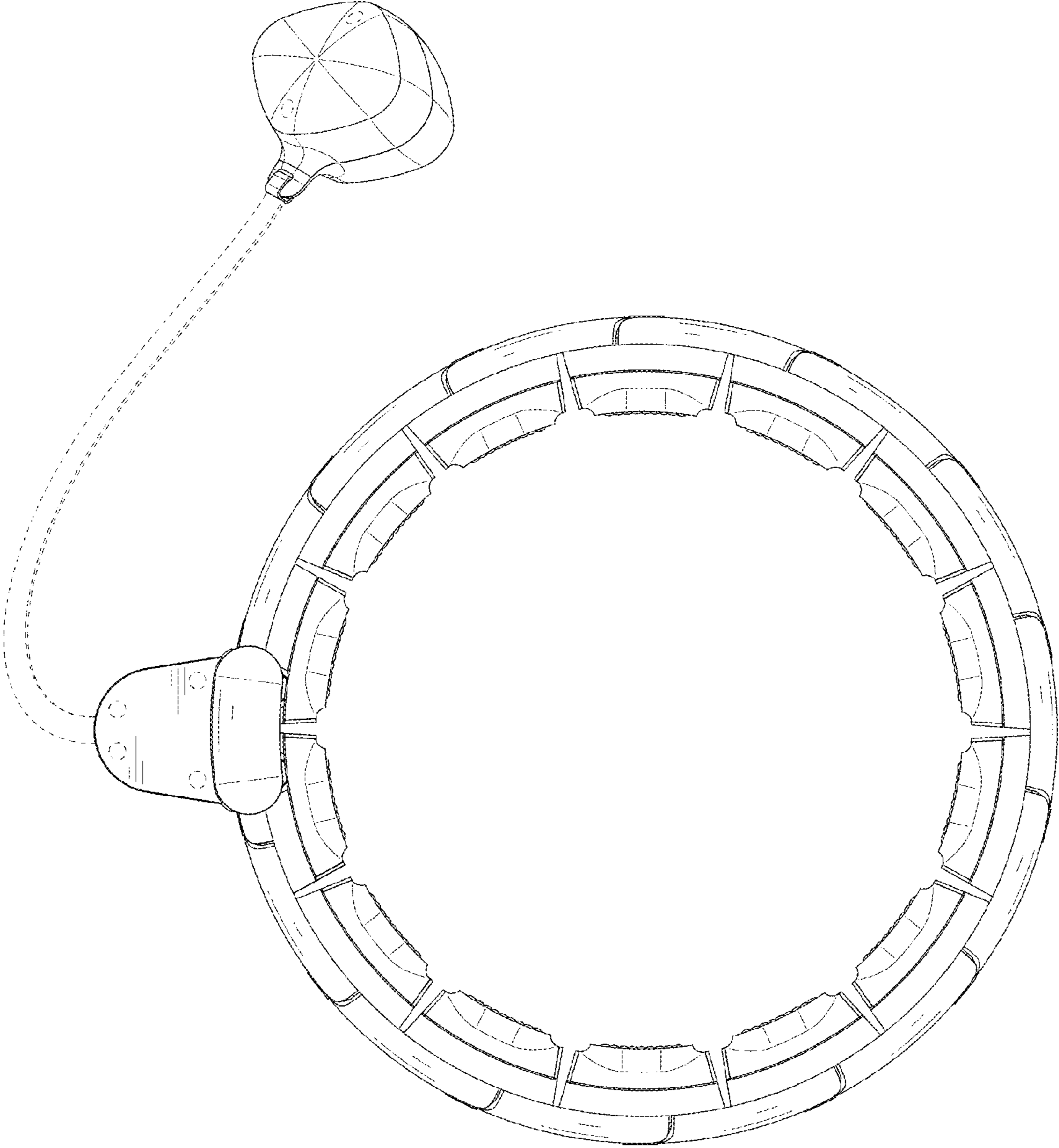


FIG. 4

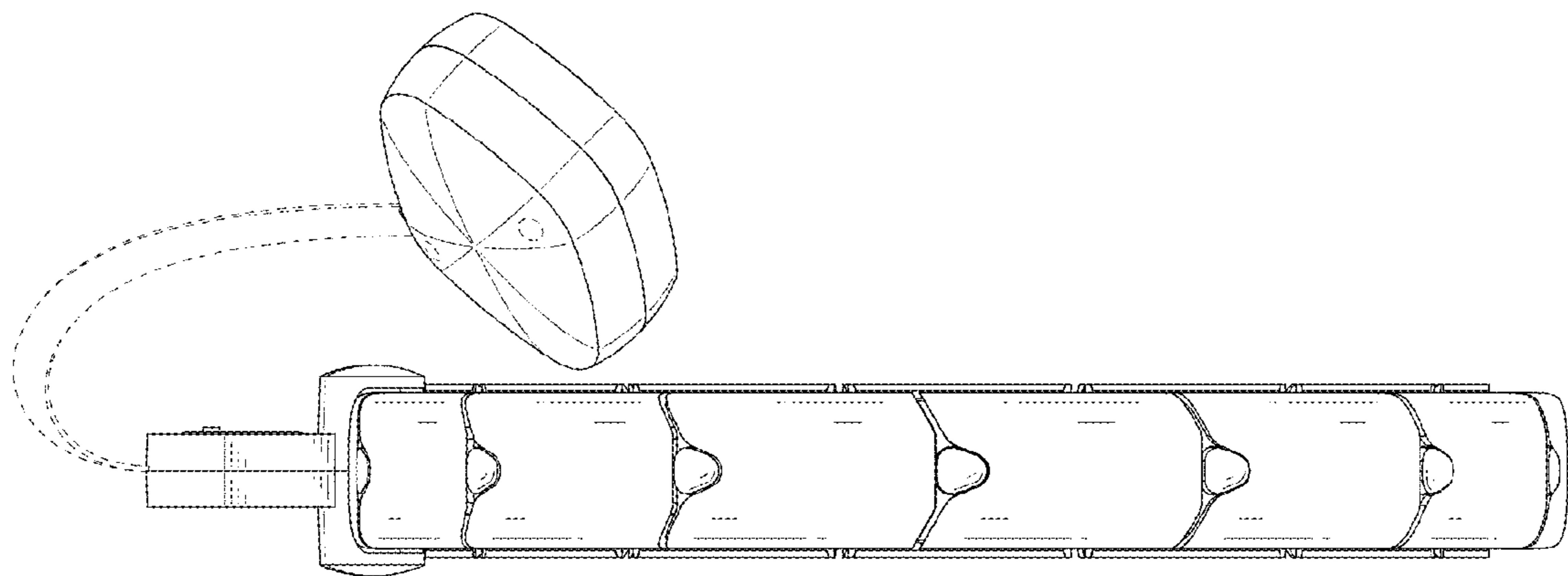


FIG. 5

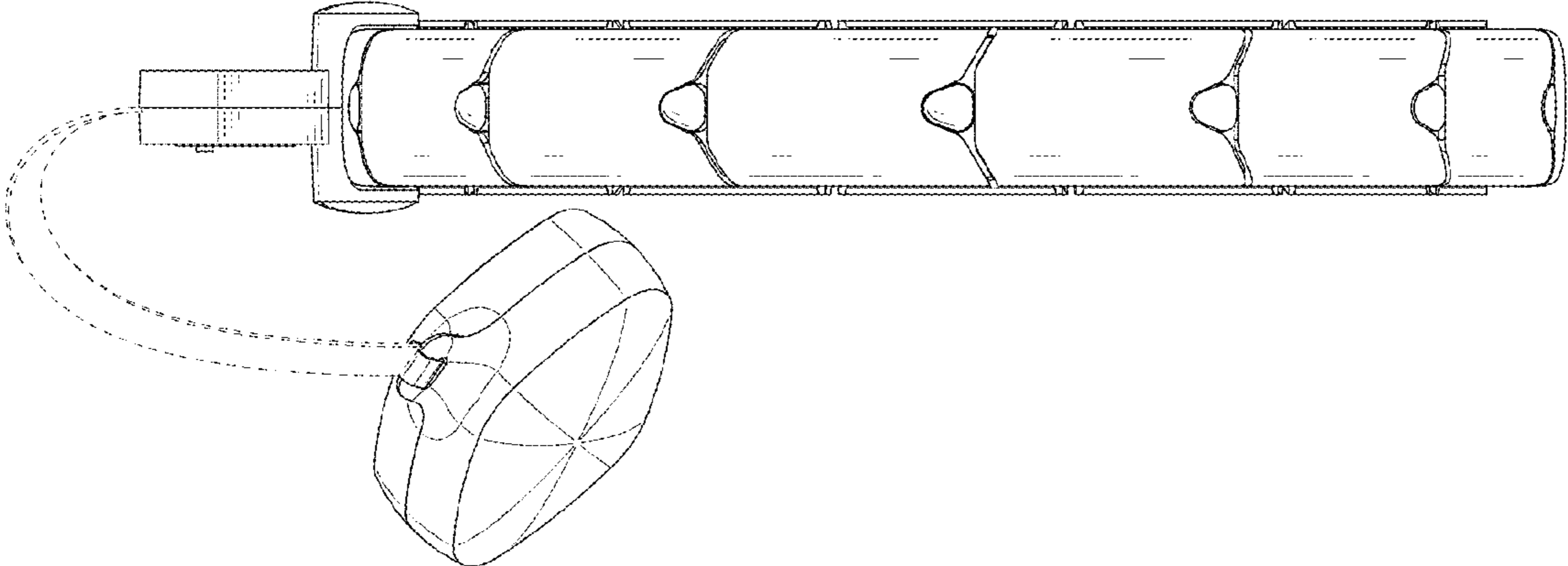


FIG. 6

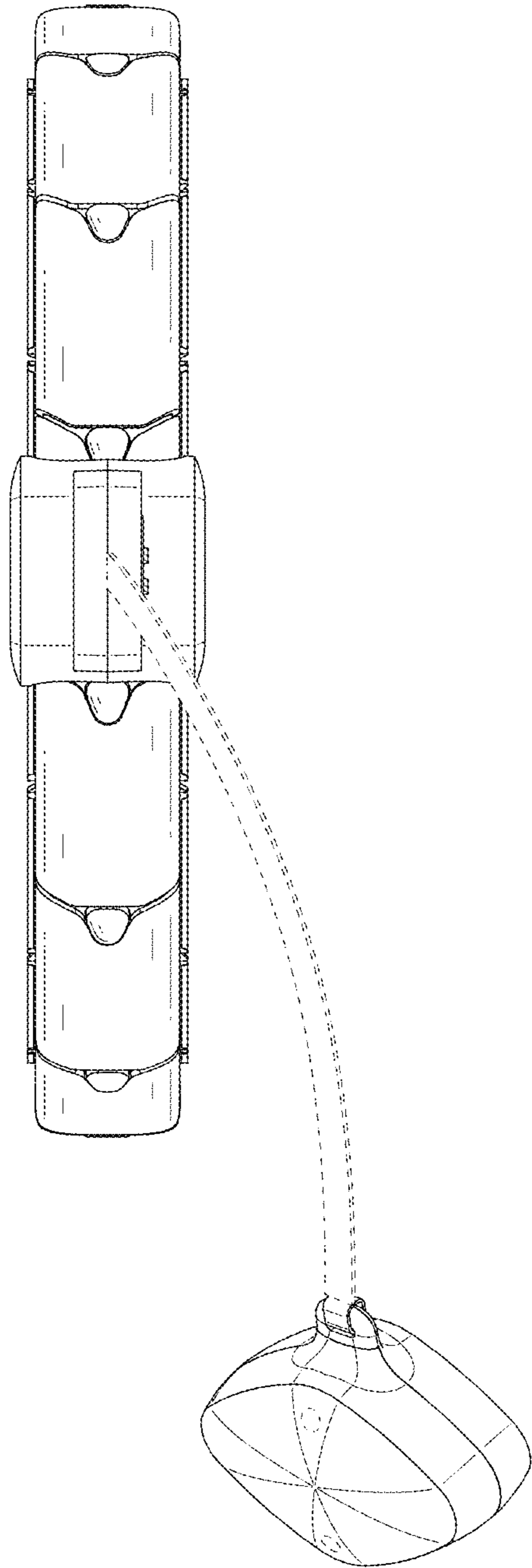


FIG. 7

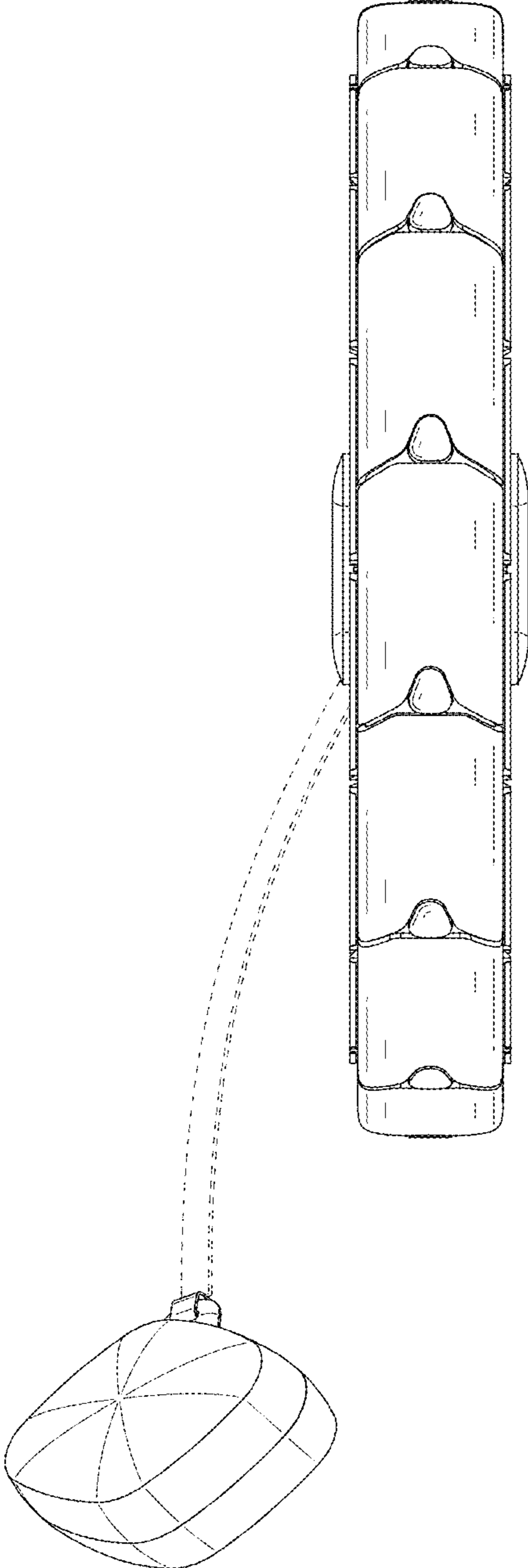


FIG. 8

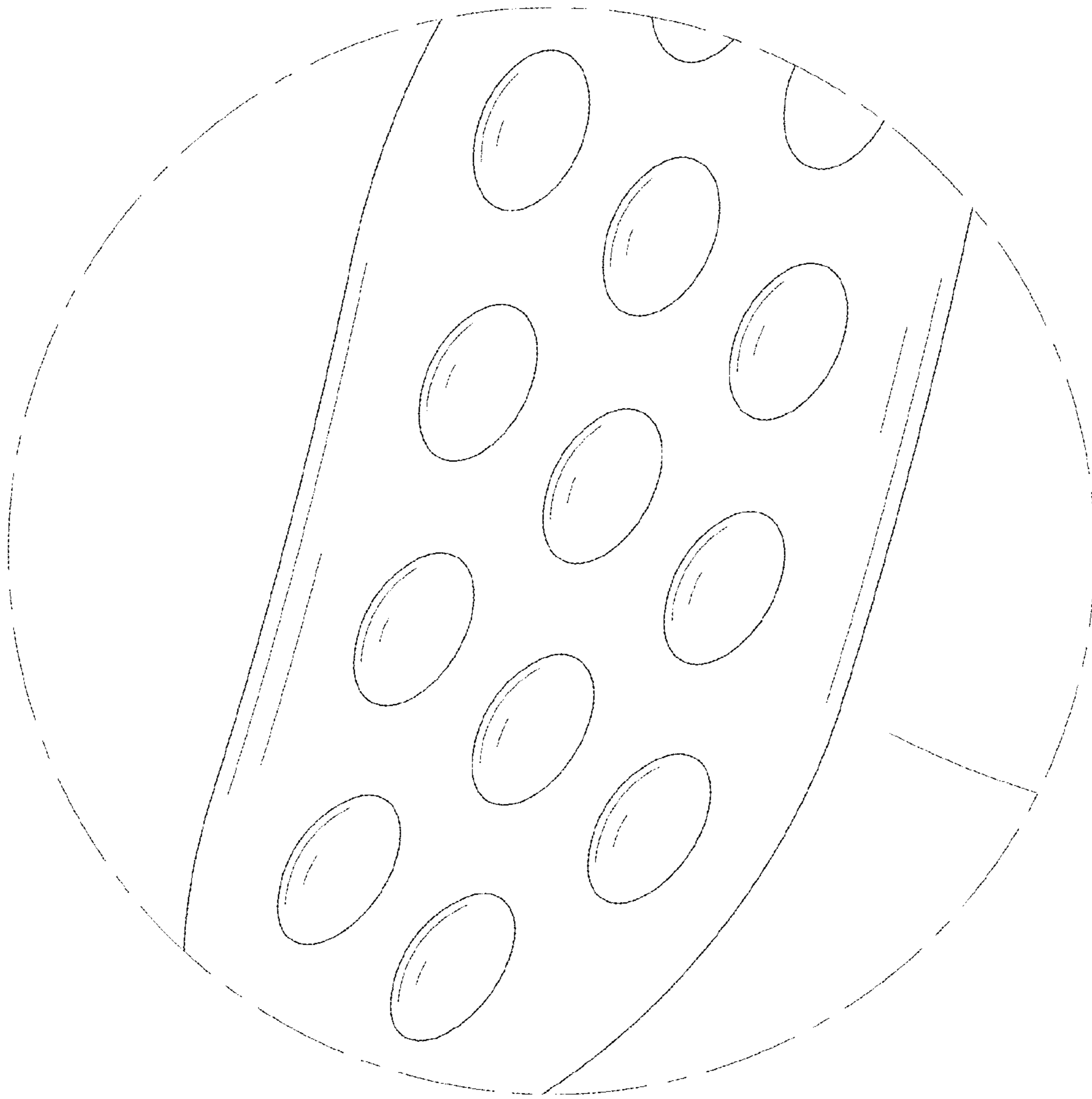


FIG. 9