



US00D965691S

(12) **United States Design Patent**
Chen

(10) **Patent No.:** **US D965,691 S**

(45) **Date of Patent:** **** Oct. 4, 2022**

(54) **SPINNING TOY**

(71) Applicant: **Zhiyan Chen**, Shantou (CN)

(72) Inventor: **Zhiyan Chen**, Shantou (CN)

(**) Term: **15 Years**

(21) Appl. No.: **29/789,122**

(22) Filed: **Sep. 2, 2021**

(51) **LOC (13) Cl.** **21-01**

(52) **U.S. Cl.**

USPC **D21/455**

(58) **Field of Classification Search**

USPC D21/455, 457, 460, 398, 389, 478, 479,
D21/468, 484, 486, 492

CPC ... A63H 5/00; A63H 3/20; A63H 3/16; A63H
33/062; A63F 9/16

See application file for complete search history.

(56) **References Cited**

U.S. PATENT DOCUMENTS

D268,939 S	5/1983	Appel et al.	
D271,120 S	10/1983	Matsumoto et al.	
4,680,022 A *	7/1987	Hoshino	A63H 11/20
			74/96
5,913,706 A *	6/1999	Glickman	A63H 3/16
			446/99
6,482,063 B1 *	11/2002	Frigard	A63H 33/103
			446/124
6,692,332 B2 *	2/2004	Jheow	A63H 3/16
			446/383
9,004,799 B1 *	4/2015	Tibbits	G09B 25/02
			403/56
9,067,147 B1 *	6/2015	Woodhouse	A63H 3/46
D782,584 S *	3/2017	Cummings	D21/610

D801,440 S * 10/2017 Pavelsky A63H 33/08
D21/455

D811,930 S * 3/2018 Amfitheatrof G09B 25/02
D11/93

9,914,063 B1 * 3/2018 McCoskery A63F 9/16
D851,707 S * 6/2019 Ren D21/455

D872,807 S * 1/2020 Lowsky D21/455
2013/0102220 A1 * 4/2013 Wang A63H 33/06

446/124
2013/0210314 A1 * 8/2013 Rottjer A63H 33/062
446/124

2018/0193763 A1 * 7/2018 Heo A63H 33/08

OTHER PUBLICATIONS

amazon.com, YIXI Brand, Fidget spinner, reviewed Jun. 21, 2021.*

* cited by examiner

Primary Examiner — Philip S Hyder

(74) *Attorney, Agent, or Firm* — Jeenam Park

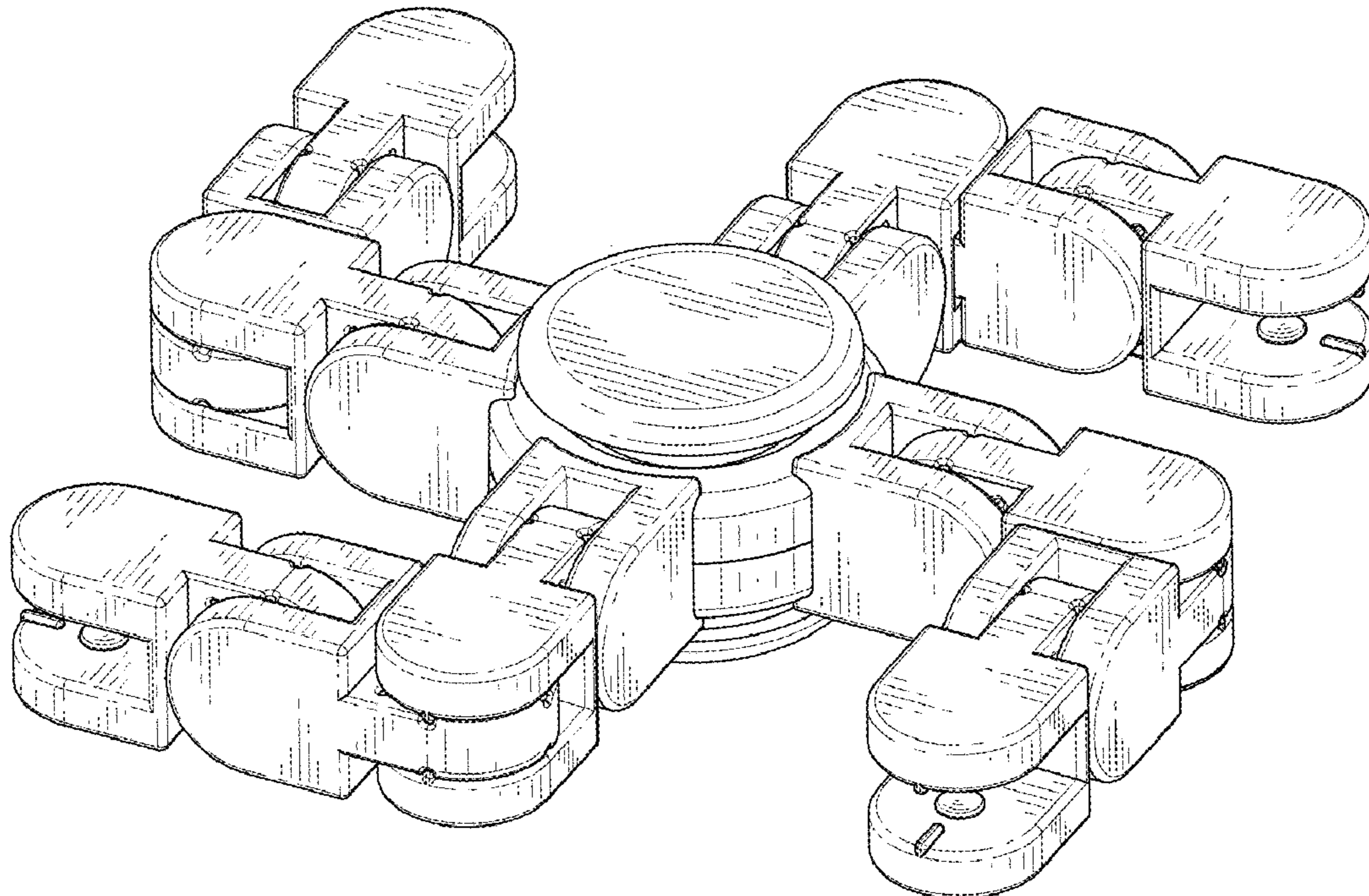
(57) **CLAIM**

The ornamental design for a spinning toy, as shown and described.

DESCRIPTION

FIG. 1 is a perspective view of a spinning toy showing my new design;
FIG. 2 is a front elevation view thereof;
FIG. 3 is a rear elevation view thereof;
FIG. 4 is a left side elevation view thereof;
FIG. 5 is a right side elevation view thereof;
FIG. 6 is a bottom plan view thereof; and,
FIG. 7 is a top plan view thereof.

1 Claim, 7 Drawing Sheets



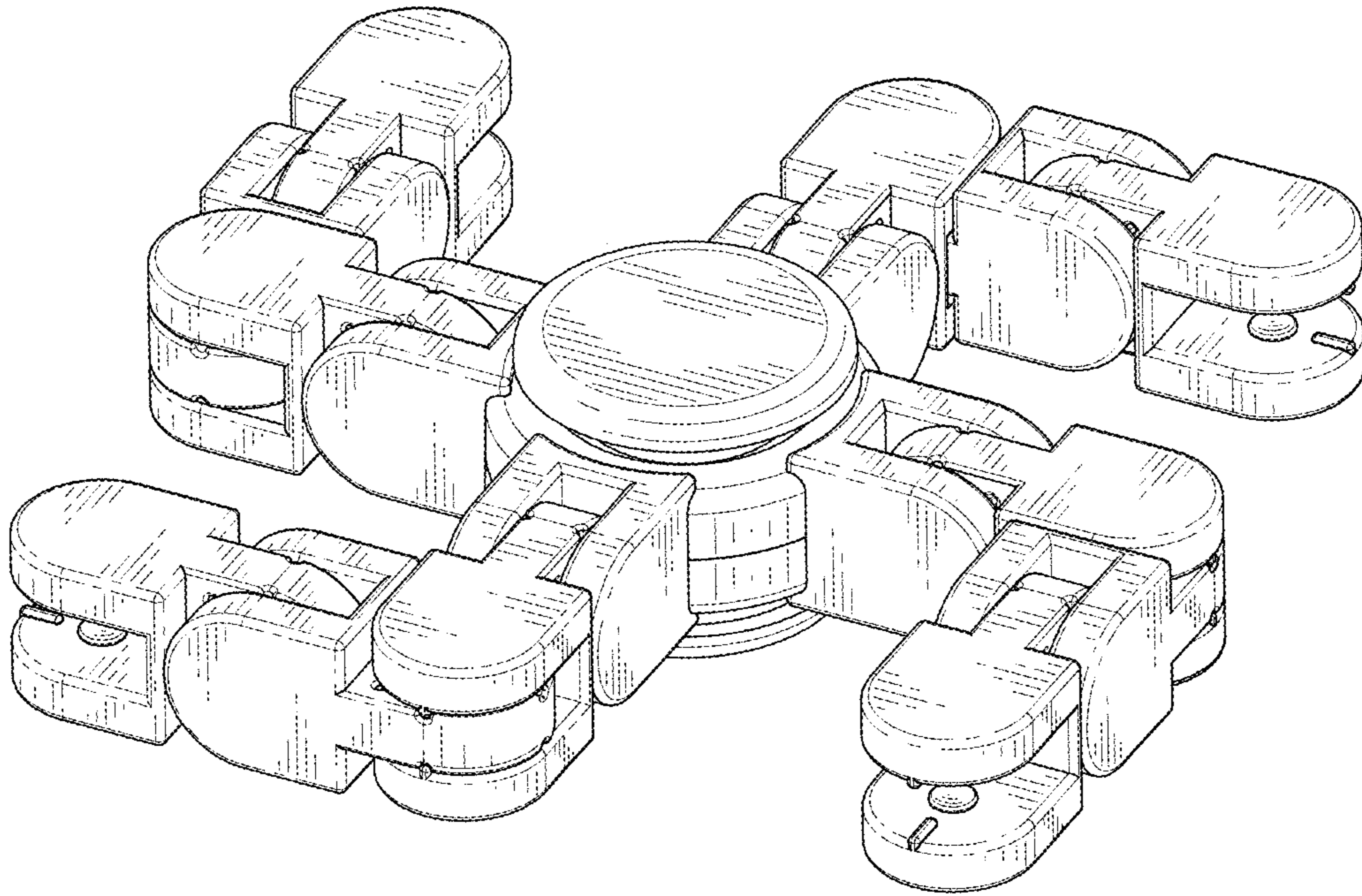


FIG. 1

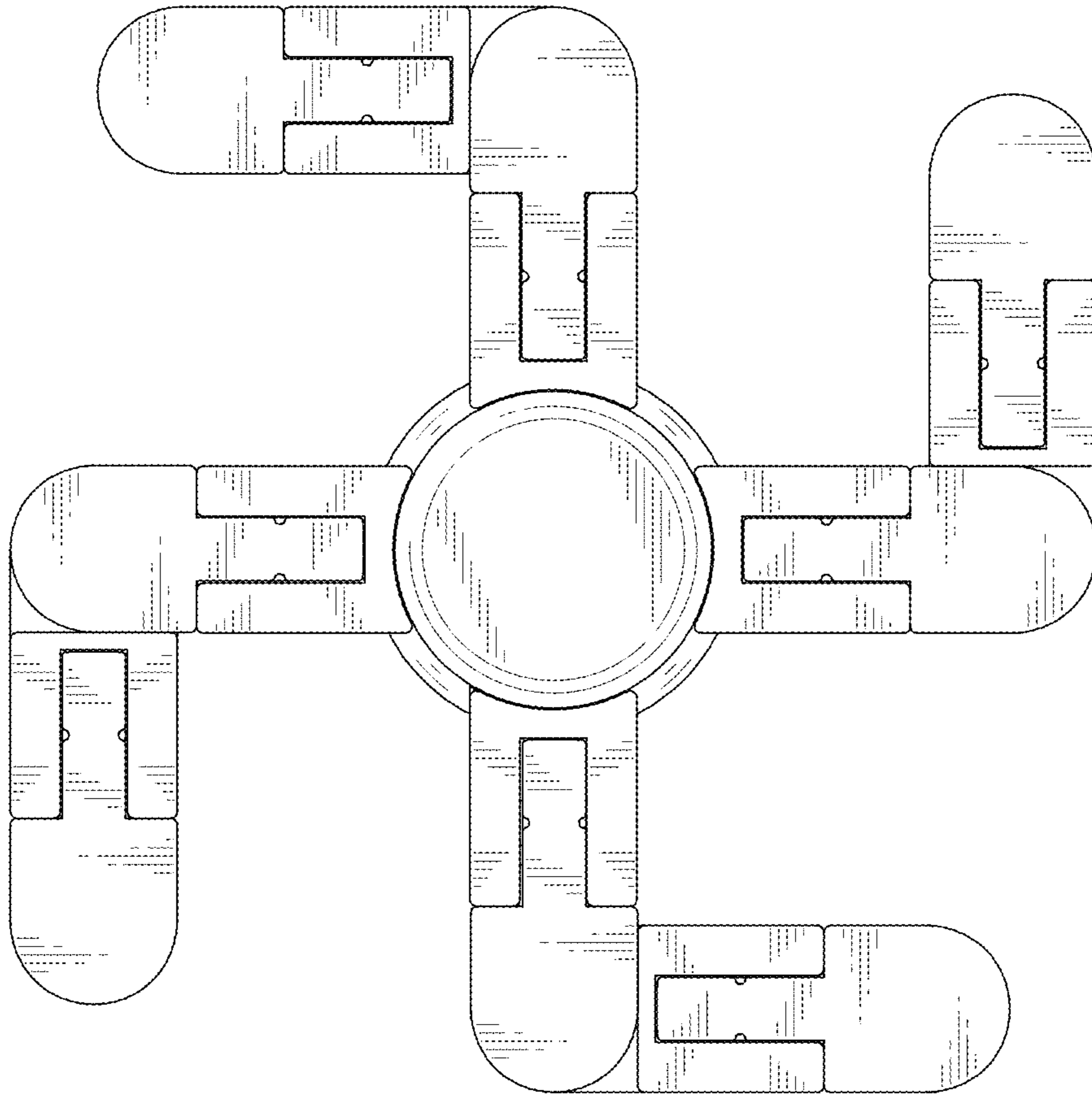


FIG. 2

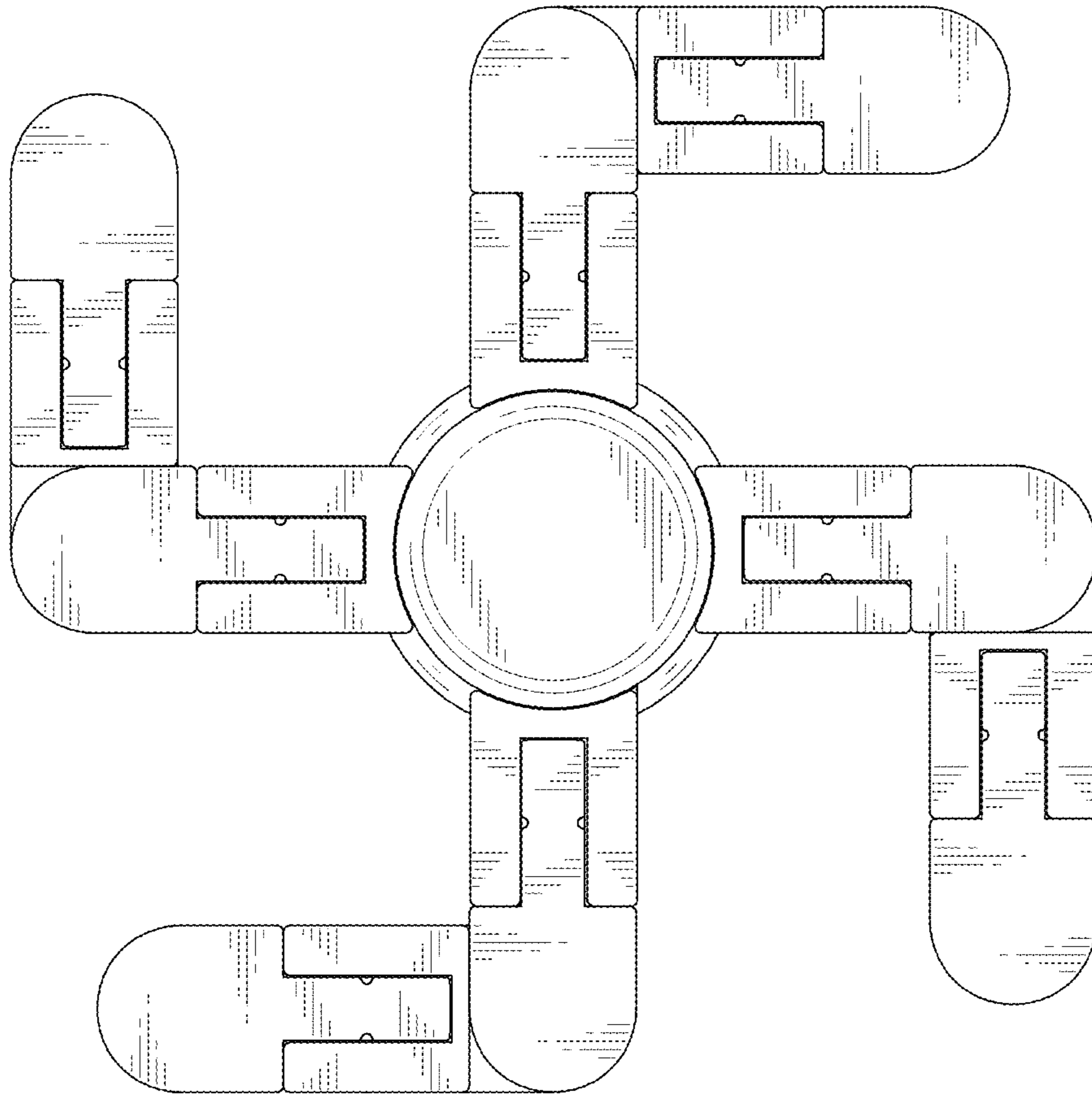


FIG. 3

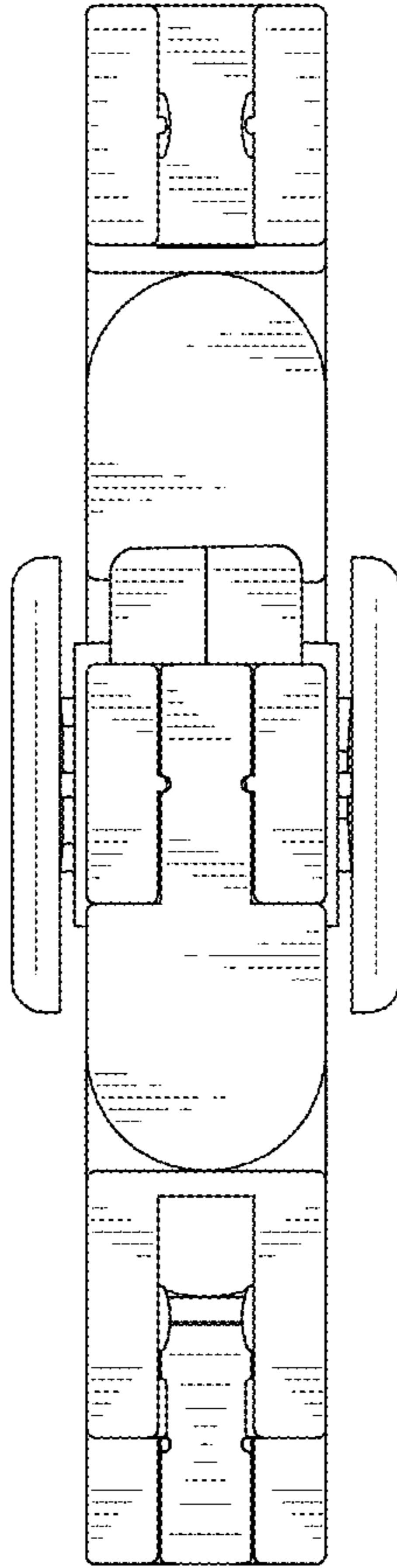


FIG. 4

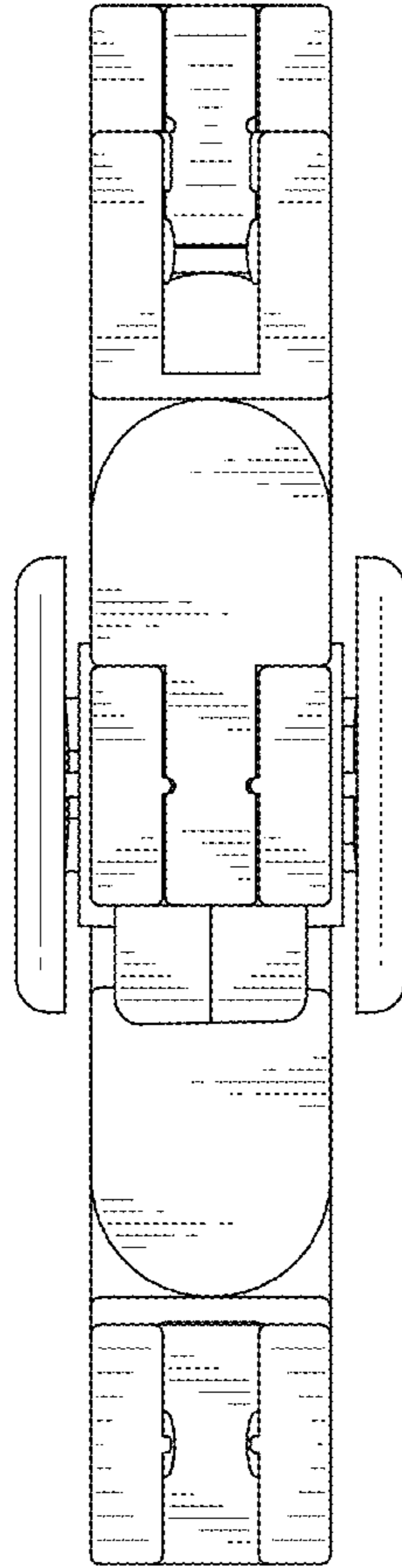


FIG. 5

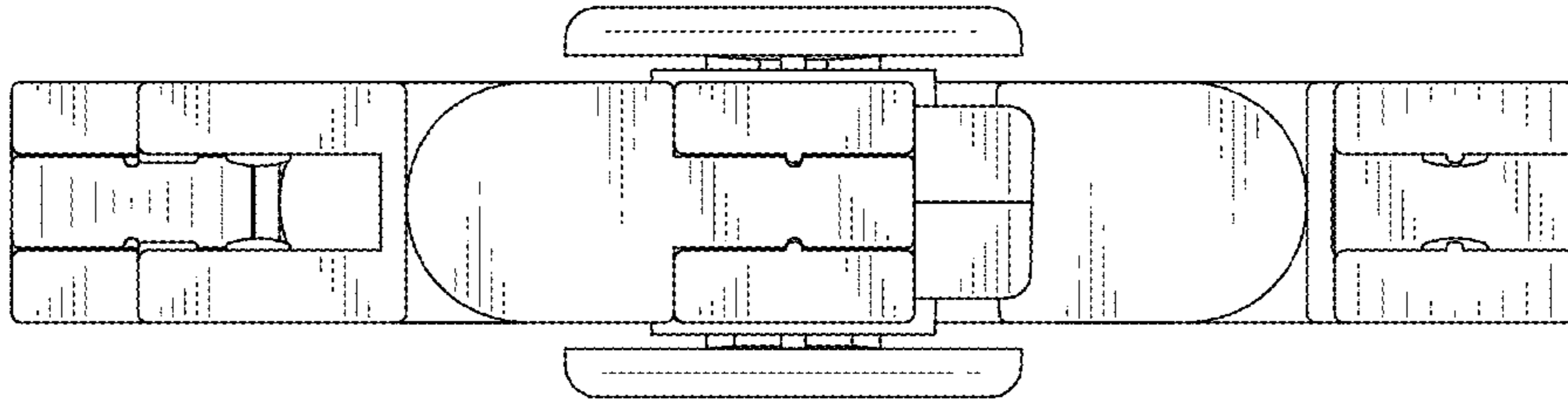


FIG. 6

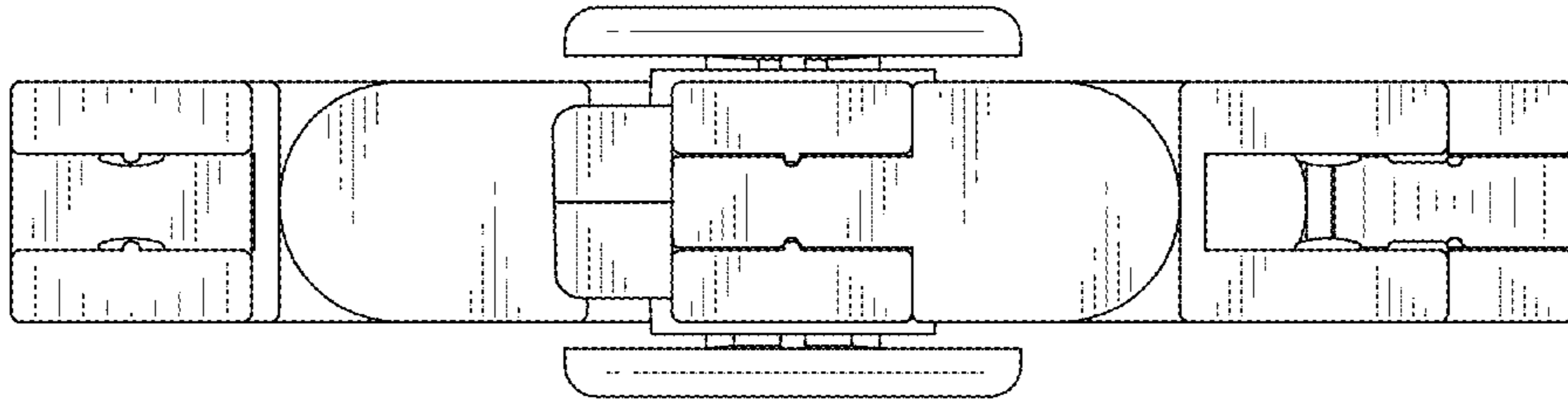


FIG. 7