



US00D965690S

(12) **United States Design Patent** (10) **Patent No.:** **US D965,690 S**  
**Xu** (45) **Date of Patent:** **\*\* Oct. 4, 2022**

(54) **POGO STICK**

(71) Applicant: **Xiantao Xu**, Nanyang (CN)

(72) Inventor: **Xiantao Xu**, Nanyang (CN)

(\*\*) Term: **15 Years**

(21) Appl. No.: **29/772,943**

(22) Filed: **Mar. 5, 2021**

(51) **LOC (13) Cl.** ..... **21-01**

(52) **U.S. Cl.**

USPC ..... **D21/413**

(58) **Field of Classification Search**

USPC ..... D21/398, 405, 408, 409, 468, 475, 407,  
D21/406, 411, 399, 412, 413, 414, 415,  
D21/422, 688

CPC . A63B 25/08; A63B 21/0087; A63B 2208/12;  
A63H 11/06

See application file for complete search history.

(56) **References Cited**

**U.S. PATENT DOCUMENTS**

- D169,141 S \* 3/1953 Hohberger ..... 482/77
- D263,485 S \* 3/1982 Rudell ..... D21/413
- D316,280 S \* 4/1991 White ..... D21/413
- 5,713,819 A \* 2/1998 Hsieh ..... A63B 25/08  
482/77
- D428,942 S \* 8/2000 Lapointe ..... D21/413
- 6,126,578 A \* 10/2000 Lapointe ..... A63B 25/08  
482/77
- 6,168,555 B1 \* 1/2001 Fetterleigh ..... A63B 25/08  
482/77
- 6,346,065 B1 \* 2/2002 Lapointe ..... A63B 25/08  
482/77
- D456,459 S \* 4/2002 Feng ..... D21/413
- D462,400 S \* 9/2002 Kim ..... D21/413
- D462,726 S \* 9/2002 Kim ..... D21/413
- 6,503,177 B2 \* 1/2003 Herman ..... A63B 25/08  
482/121
- D479,733 S \* 9/2003 Arginsky ..... D21/413
- D487,484 S \* 3/2004 Arginsky ..... D21/413

- D510,605 S \* 10/2005 Jargowsky ..... D21/413
- 7,303,512 B1 \* 12/2007 Goldman ..... A63B 25/08  
482/77
- 7,381,165 B2 \* 6/2008 Arginsky ..... A63B 25/08  
482/77
- D574,441 S \* 8/2008 Matson ..... D12/178
- 7,815,553 B2 \* 10/2010 Song ..... A63B 21/06  
482/109
- D628,243 S \* 11/2010 Beaute ..... D21/413

(Continued)

**OTHER PUBLICATIONS**

Flybar My First Foam Pogo Jumper for Kids Fun and Safe Pogo Stick. Date First Available: Apr. 28, 2015. Retrieved from internet: <<https://www.amazon.com/dp/B00WTDXSDM>> [site visited Jun. 1, 2022] (Year: 2015).\*

(Continued)

*Primary Examiner* — Katherine Glennon

*Assistant Examiner* — Yuan Yuan

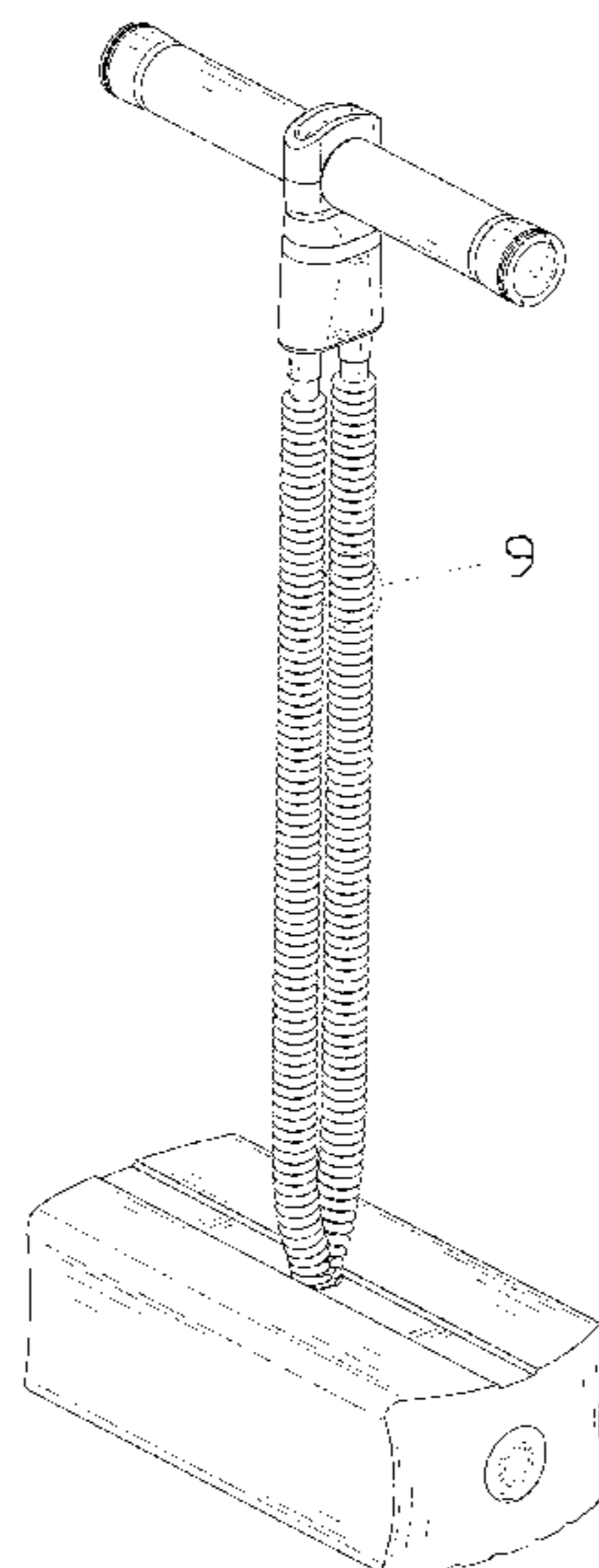
(57) **CLAIM**

The ornamental design for a pogo stick, as shown and described.

**DESCRIPTION**

FIG. 1 is a perspective view of a pogo stick showing my new design;  
FIG. 2 is another perspective view thereof;  
FIG. 3 is a front elevational view thereof;  
FIG. 4 is a rear elevational view thereof;  
FIG. 5 is a left side elevational view thereof;  
FIG. 6 is a right side elevational view thereof;  
FIG. 7 is a top plan view thereof;  
FIG. 8 is a bottom plan view thereof; and,  
FIG. 9 is an enlarged view of portion 9 shown in FIG. 1.  
The broken lines in the drawings depict portions of the pogo stick that form no part of the claimed design.

**1 Claim, 9 Drawing Sheets**



(56)

**References Cited**

U.S. PATENT DOCUMENTS

2002/0137602 A1\* 9/2002 Herman ..... A63B 25/08  
482/77  
2002/0160888 A1\* 10/2002 Chen ..... A63B 25/08  
482/77  
2003/0027689 A1\* 2/2003 Chien ..... A63B 25/08  
482/23  
2003/0045405 A1\* 3/2003 Lin ..... A63B 25/08  
482/77  
2005/0045349 A1\* 3/2005 Cirella ..... A01C 5/02  
172/371  
2005/0233869 A1\* 10/2005 Lee ..... A63B 25/08  
482/77  
2007/0042874 A1\* 2/2007 Arginsky ..... A63B 25/08  
482/77  
2016/0001134 A1\* 1/2016 Britt ..... A63B 25/08  
482/77  
2017/0354841 A1\* 12/2017 Britt ..... A63B 21/0087

OTHER PUBLICATIONS

Play22 Foam Pogo Jumper for Kids r. Release Date: Jun. 1, 2019.  
Retrieved from internet: <<https://www.amazon.com/Play22-Foam-Pogo-Jumper-Kids/dp/B076H7B39T>> [site visited Jun. 1, 2022]  
(Year: 2019).\*

Click N' Play Foam Pogo Jumper for Kids. Date First Available:  
Dec. 1, 2018. Retrieved from internet: <<https://www.amazon.com/Click-Play-Foam-Pogo-Jumper/dp/B01LWMTZ7I/>> [site visited Jun. 1, 2022] (Year: 2018).\*

\* cited by examiner

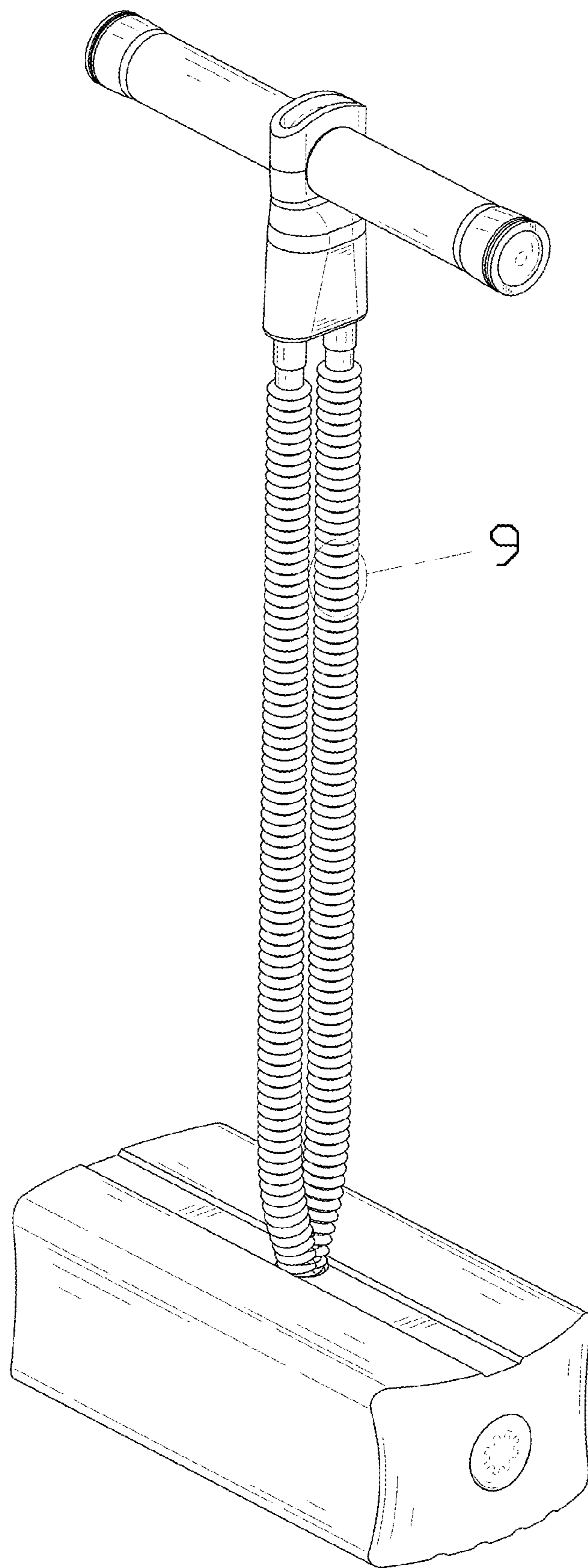


FIG. 1

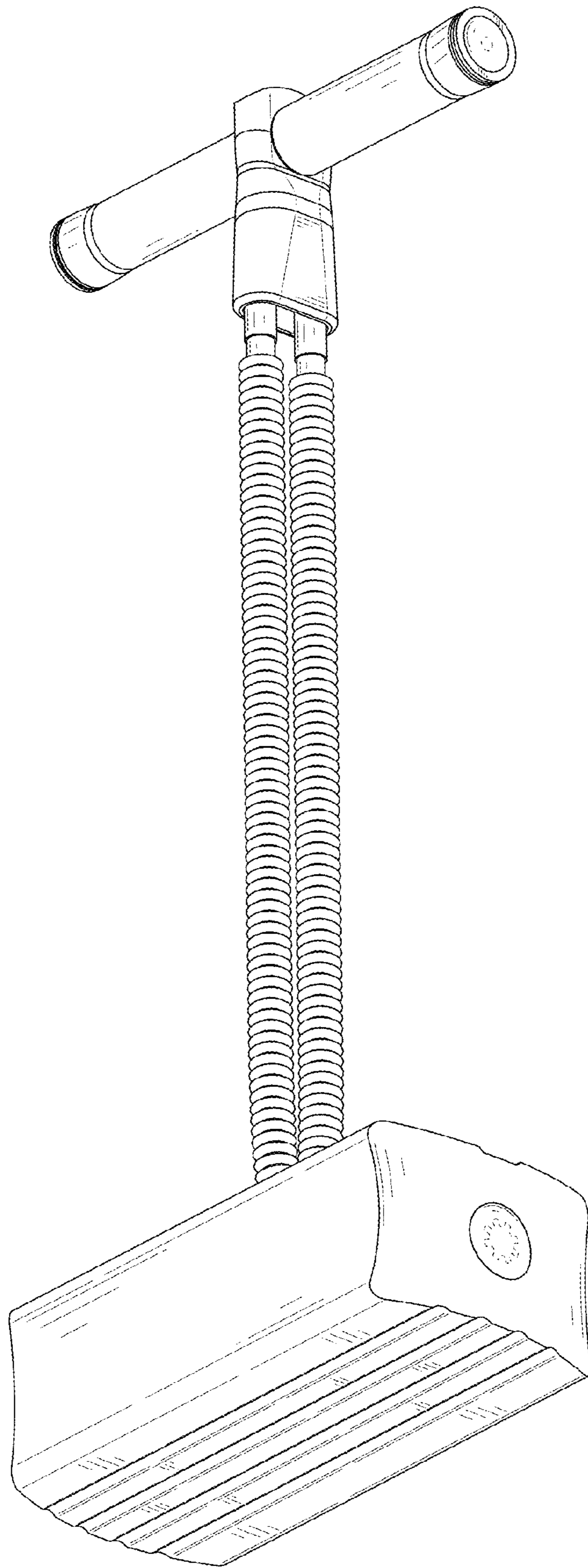


FIG. 2

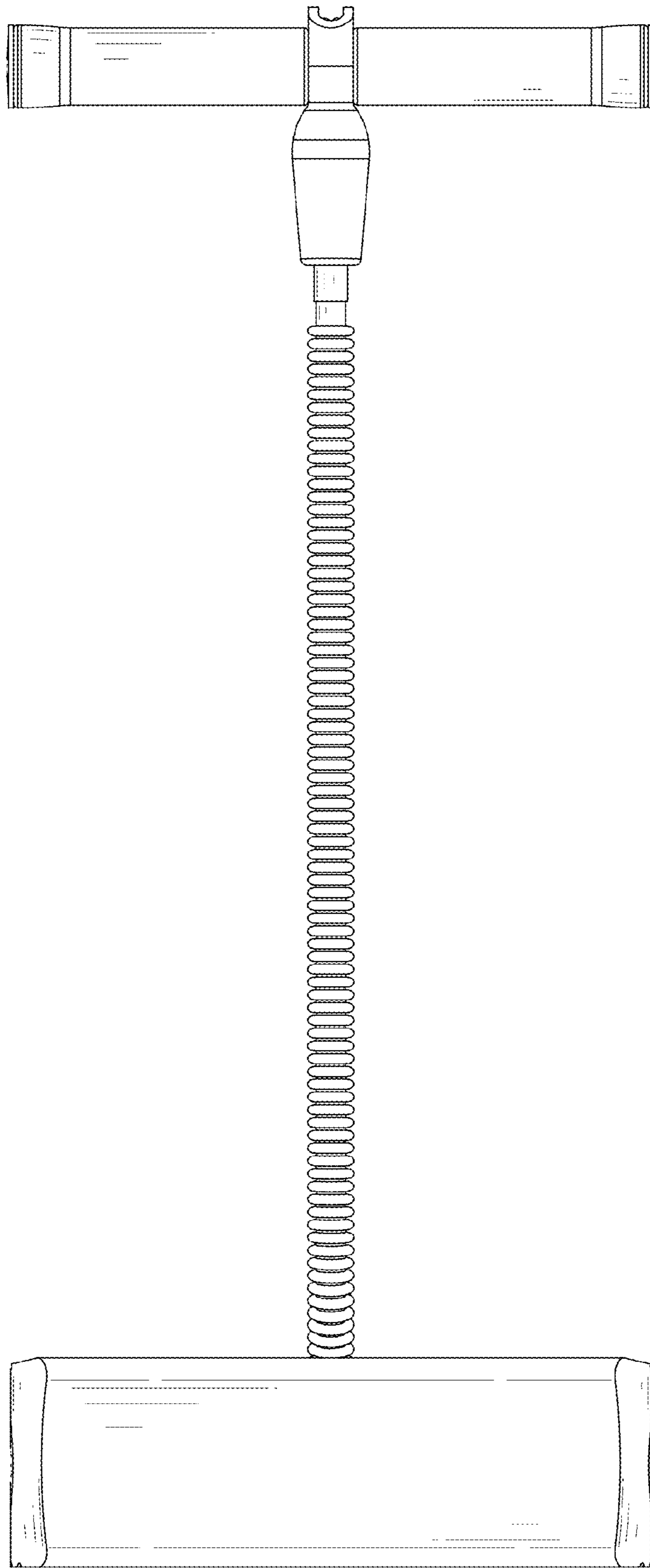


FIG. 3



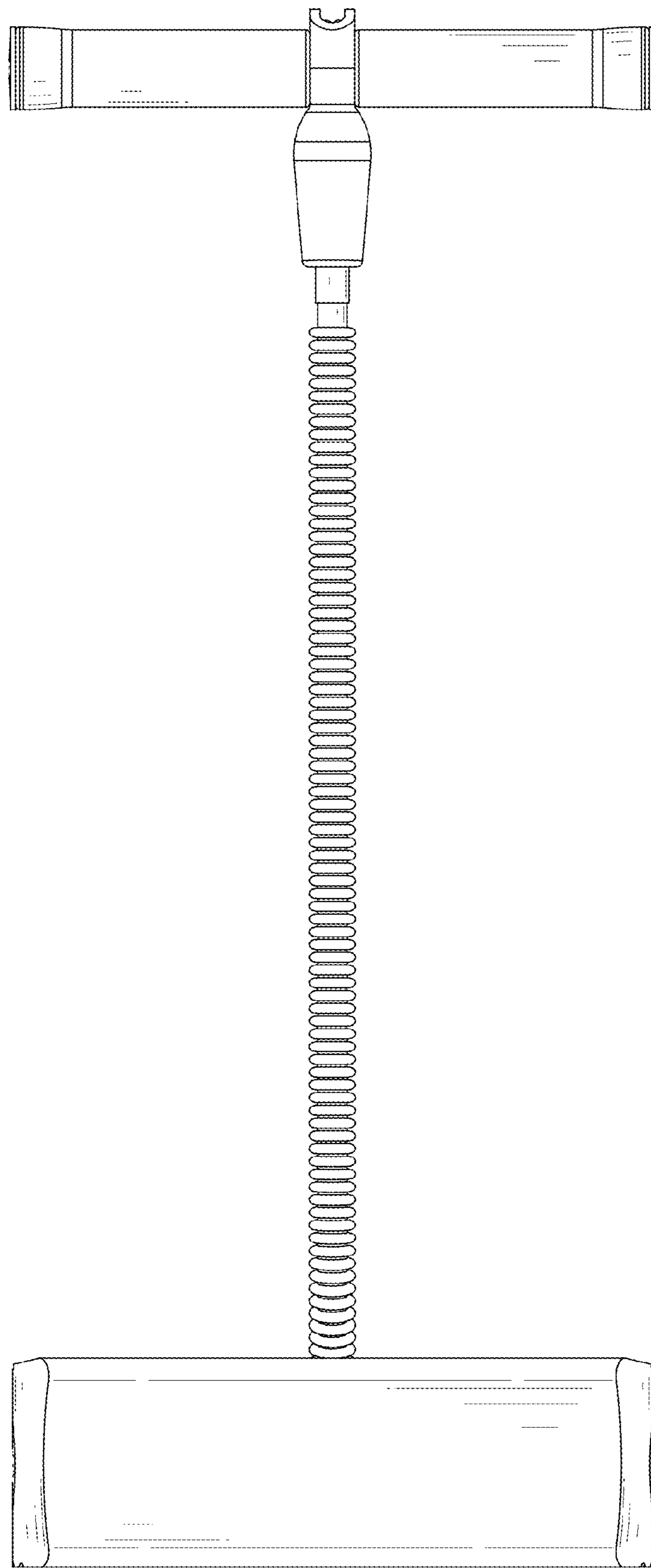


FIG. 4

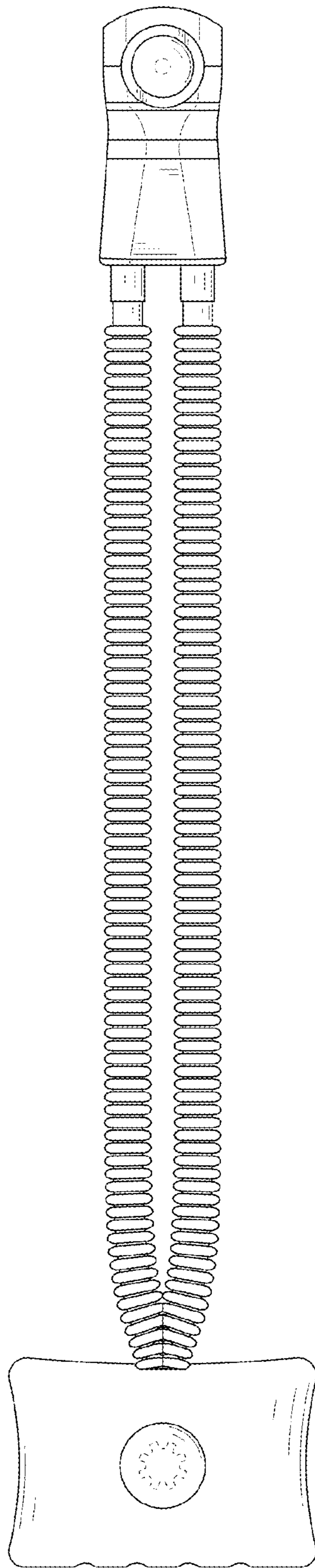


FIG. 5

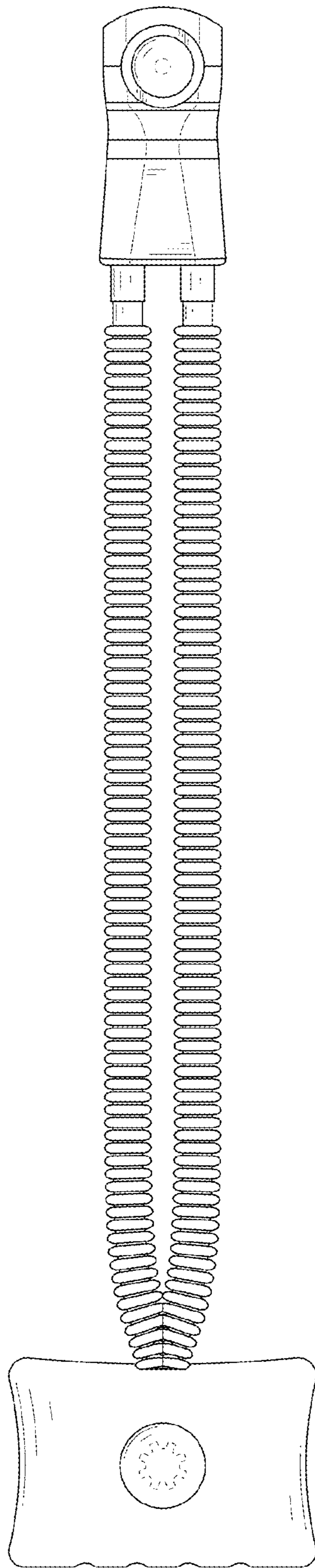


FIG. 6



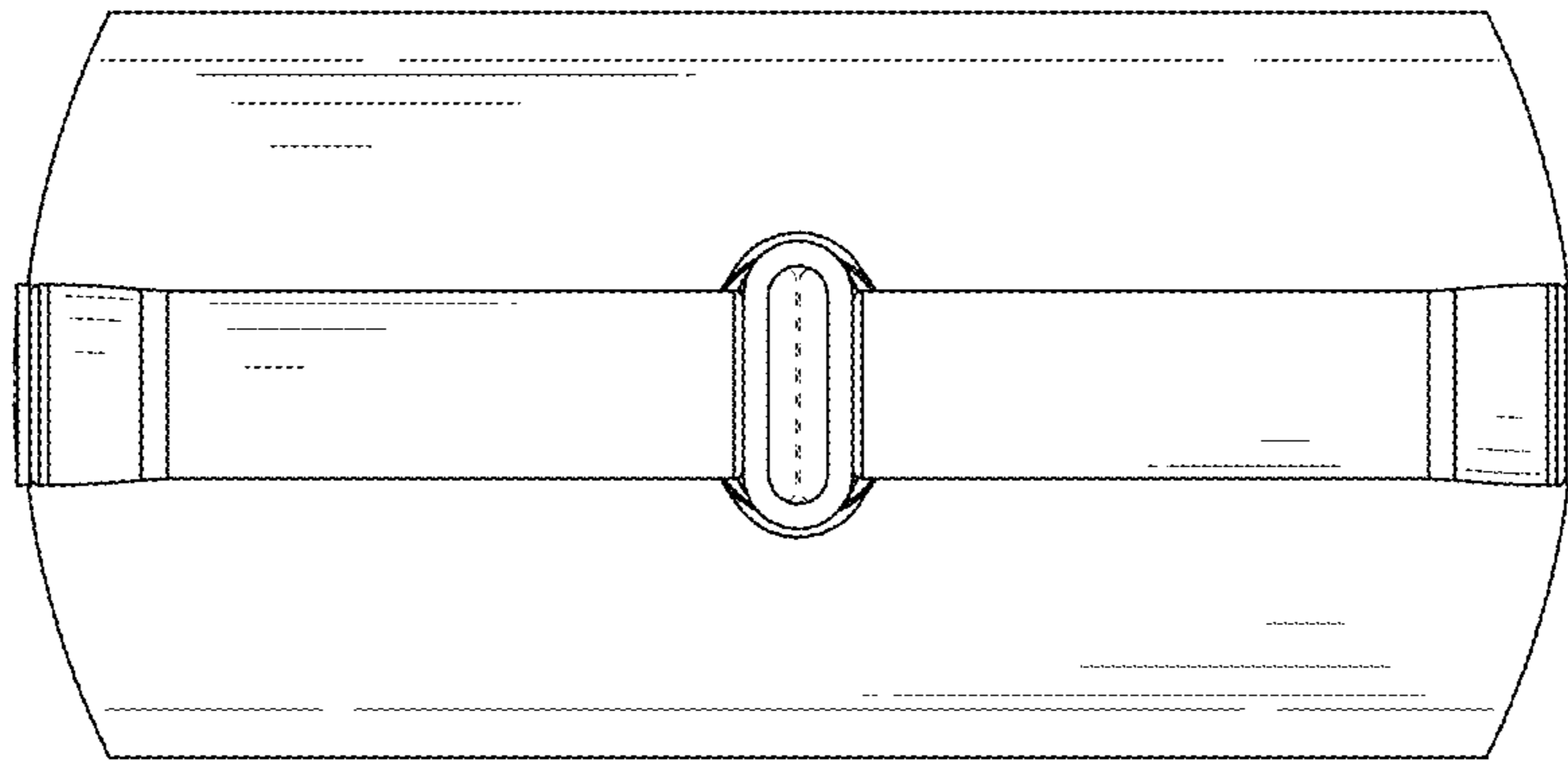


FIG. 7

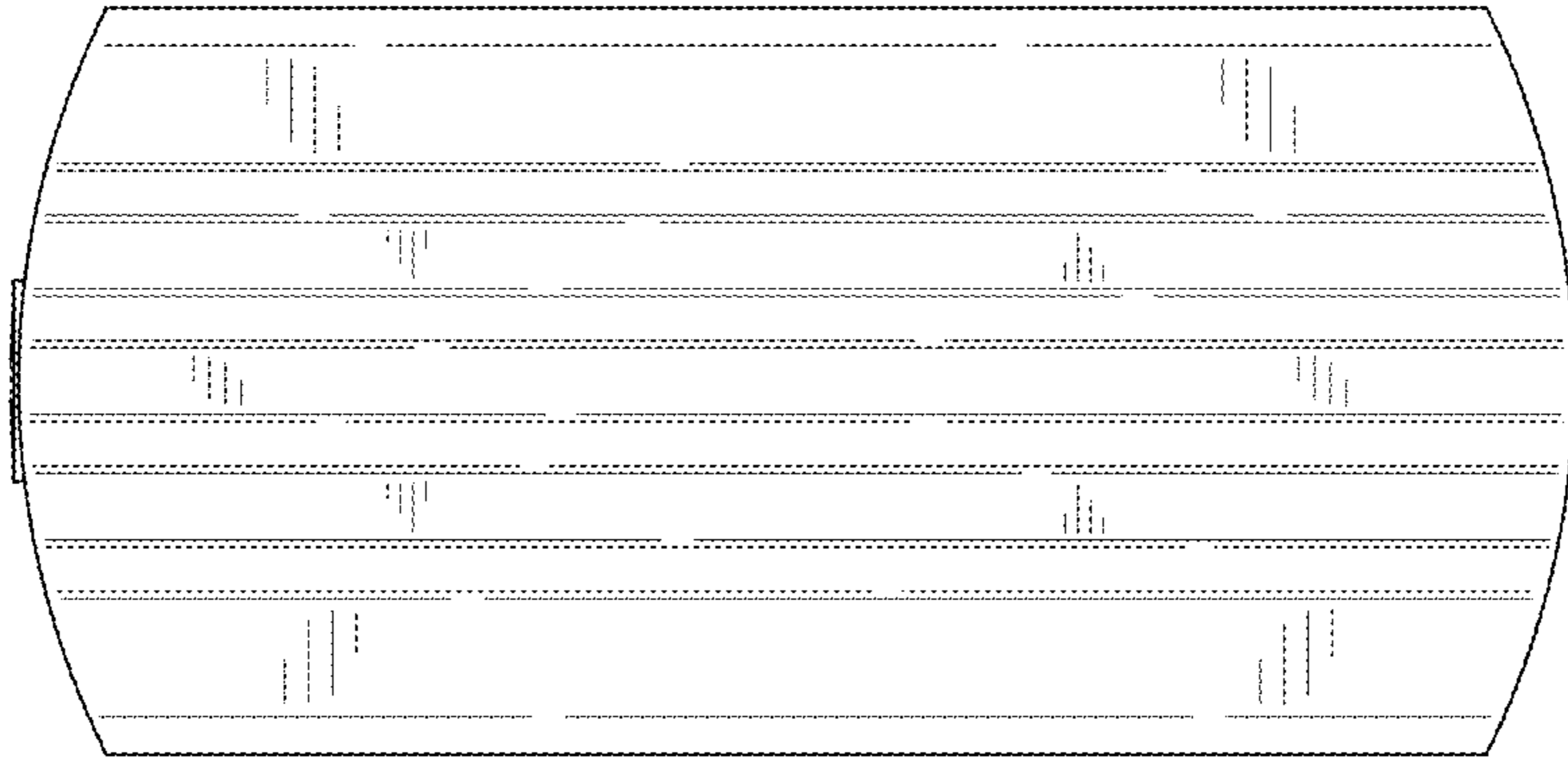


FIG. 8

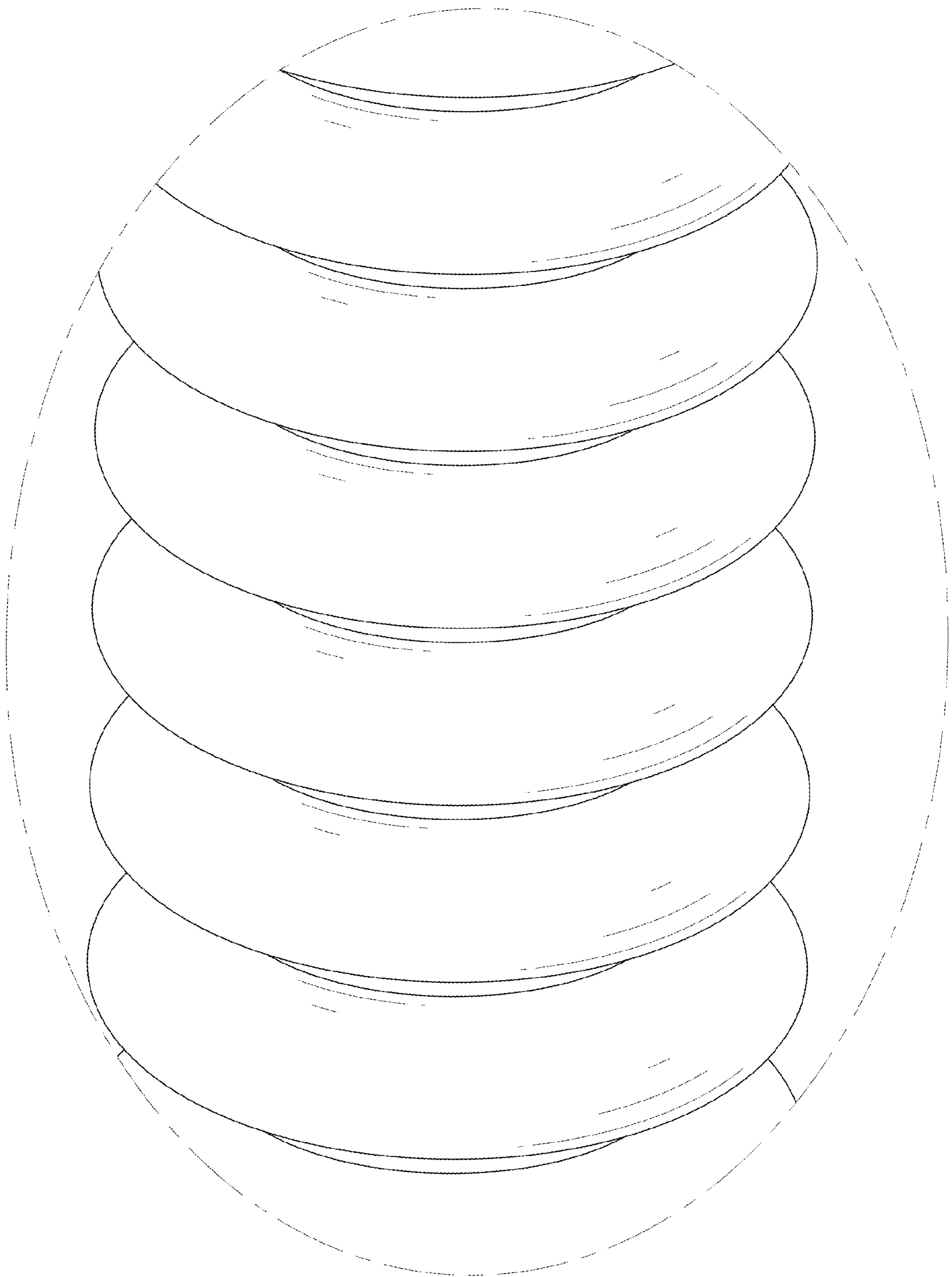


FIG. 9