



US00D965688S

(12) **United States Design Patent** (10) **Patent No.:** **US D965,688 S**
Fukumoto et al. (45) **Date of Patent:** **** Oct. 4, 2022**

(54) **TOY CAPSULE**
(71) Applicant: **T-ARTS Company, Ltd.**, Tokyo (JP)
(72) Inventors: **Tomochika Fukumoto**, Tokyo (JP);
Gotaro Hirohashi, Tokyo (JP)
(73) Assignee: **T-ARTS COMPANY, LTD.**, Tokyo (JP)
(**) Term: **15 Years**
(21) Appl. No.: **29/762,199**
(22) Filed: **Dec. 15, 2020**

(30) **Foreign Application Priority Data**
Sep. 18, 2020 (JP) 2020-019946 D
(51) **LOC (13) Cl.** **21-01**
(52) **U.S. Cl.**
USPC **D21/398**
(58) **Field of Classification Search**
USPC D21/398, 468, 470, 525, 487, 488, 715;
D9/428, 424, 426, 429; D1/105
CPC B65D 43/16; B65D 43/24; B65D 5/5088;
B65D 11/00; B65D 11/02; B65D 11/188;
B65D 11/1886; B65D 11/1893; B65D
25/005; B65D 2543/00092; B65D
2543/00296; B65D 2543/00351; B65D
2543/0062; B65D 77/02; B65D 81/2023;
B65D 7/04; B65D 17/02; B65D 83/0454;
B65D 2501/24242; B65D 2501/00416;
B65D 85/58; A63H 3/005
See application file for complete search history.

(56) **References Cited**
U.S. PATENT DOCUMENTS
1,040,179 A * 10/1912 Evans A47J 31/02
99/323
D118,671 S * 1/1940 Mielziner D26/63

D241,054 S * 8/1976 Fortier D21/498
D290,275 S * 6/1987 Kamensky D3/304
D321,235 S * 10/1991 Weber D21/789
(Continued)

OTHER PUBLICATIONS

Vending Machine Capsules. Date First Available: Mar. 2, 2019.
Retrieved from internet: <<https://www.amazon.ca/dp/B07K3QY8QV/>>
[site visited May 3, 2022] (Year: 2019).*
(Continued)

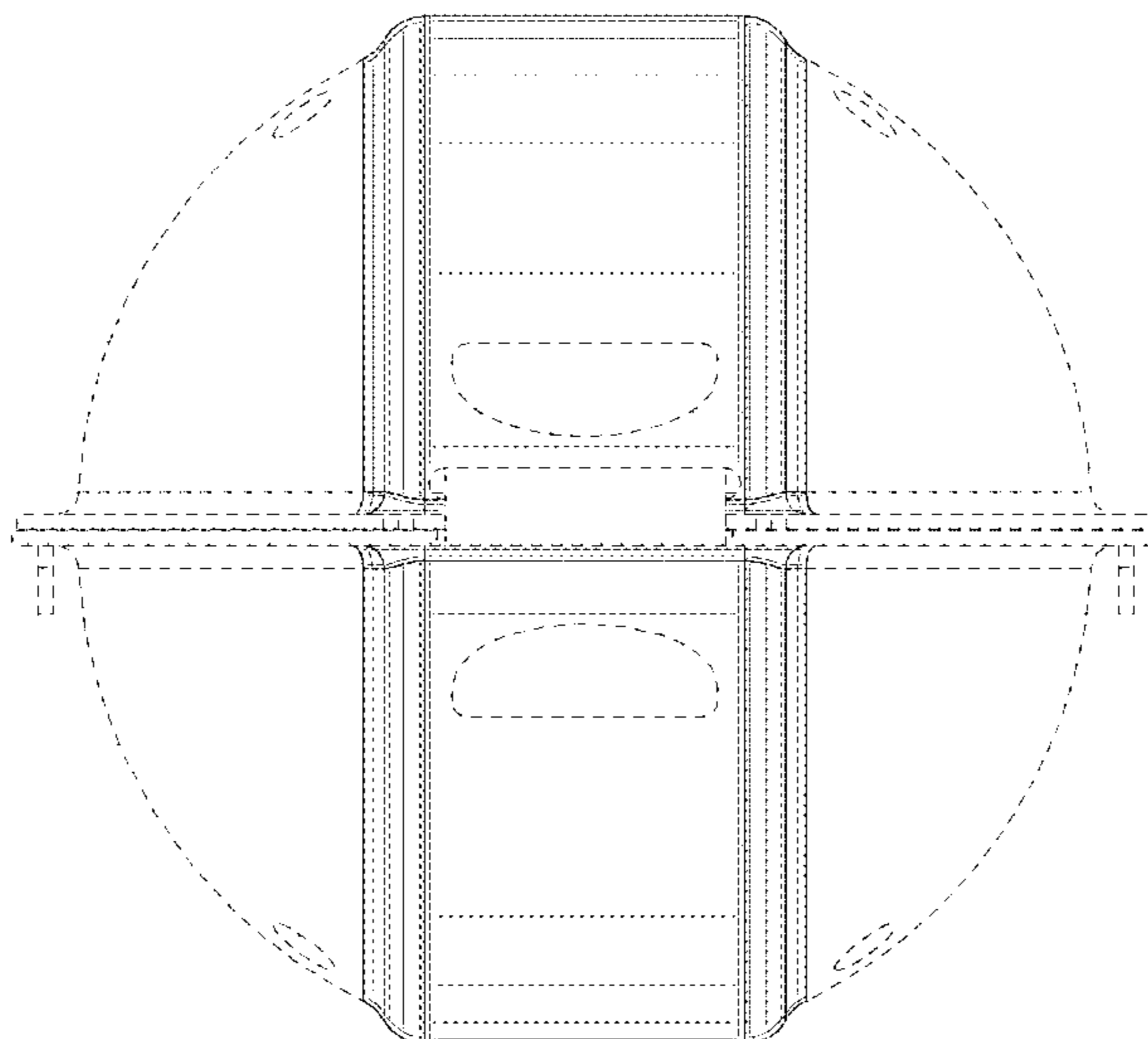
Primary Examiner — Katherine Glennon
Assistant Examiner — Yuan Yuan
(74) *Attorney, Agent, or Firm* — Oliff PLC

(57) **CLAIM**
The ornamental design for a toy capsule, as shown and described.

DESCRIPTION

FIG. 1 is a front elevational view of a toy capsule, showing the new design;
FIG. 2 is a rear elevational view thereof;
FIG. 3 is a right-side elevational view thereof, the left-side elevational view (not provided) being a mirror image thereof;
FIG. 4 is a top plan view thereof;
FIG. 5 is a bottom plan view thereof;
FIG. 6 is a front, right-side, top perspective view thereof;
FIG. 7 is a rear, left-side, bottom perspective view thereof;
FIG. 8 is a cross-sectional view along line 8-8 in FIG. 3;
FIG. 9 is a front, right-side, top perspective view of an open configuration; and,
FIG. 10 is a rear, left-side, bottom perspective view of the open configuration.
The broken lines depict parts of the toy capsule that form no part of the claimed design. The dot-dash chain lines depict cross-section location lines and form no part of the claimed design.

1 Claim, 10 Drawing Sheets



(56)

References Cited

U.S. PATENT DOCUMENTS

5,615,596 A * 4/1997 Issa A63B 39/025
206/315.9
5,792,496 A * 8/1998 Fekete A23G 3/545
426/138
D404,681 S * 1/1999 Galerneau D11/131
D454,376 S * 3/2002 Bezalel D21/398
D473,160 S * 4/2003 Weissman D11/220
D475,288 S * 6/2003 Hoffmann D9/429
6,626,313 B2 * 9/2003 Herbstreit A01K 67/033
220/DIG. 30
D609,853 S * 2/2010 Salatto-Rose D26/107
D638,884 S * 5/2011 Shoemaker, Jr. D21/386
8,210,538 B2 * 7/2012 Shoemaker, Jr. ... G07F 17/3216
273/447
8,457,339 B2 * 6/2013 Li H04R 1/2811
381/345
8,651,308 B1 * 2/2014 Sung A45D 40/00
220/4.24
D703,765 S * 4/2014 Montes D21/713
D742,955 S * 11/2015 Kozko D16/218

D747,621 S * 1/2016 Amerson D7/354
D755,637 S * 5/2016 Wetton D9/600
D758,557 S * 6/2016 Jih D23/355
D770,710 S * 11/2016 Li D32/29.1
9,861,902 B1 * 1/2018 Perez A63H 1/32
D870,354 S * 12/2019 Arola D26/88
D881,886 S * 4/2020 Bidwell D14/420
D913,107 S * 3/2021 You D9/643
10,973,301 B2 * 4/2021 Crapet A45D 40/18
11,299,322 B2 * 4/2022 Lee B23D 59/00
2003/0080197 A1 * 5/2003 Tuomikoski A61L 9/12
239/57
2021/0101717 A1 * 4/2021 Lee B65D 85/02
2021/0387105 A1 * 12/2021 Greenwood A63H 23/12

OTHER PUBLICATIONS

Patty Both 30mm Clear Plastic Acrylic Fillable Ball Ornament.
Earliest Review Date: Feb. 11, 2017. Retrieved from internet:
<<https://www.amazon.ca/Plastic-Acrylic-Fillable-Ball-Ornament/dp/B017QMDBM8/>> [site visited May 3, 2022] (Year: 2017).*

* cited by examiner

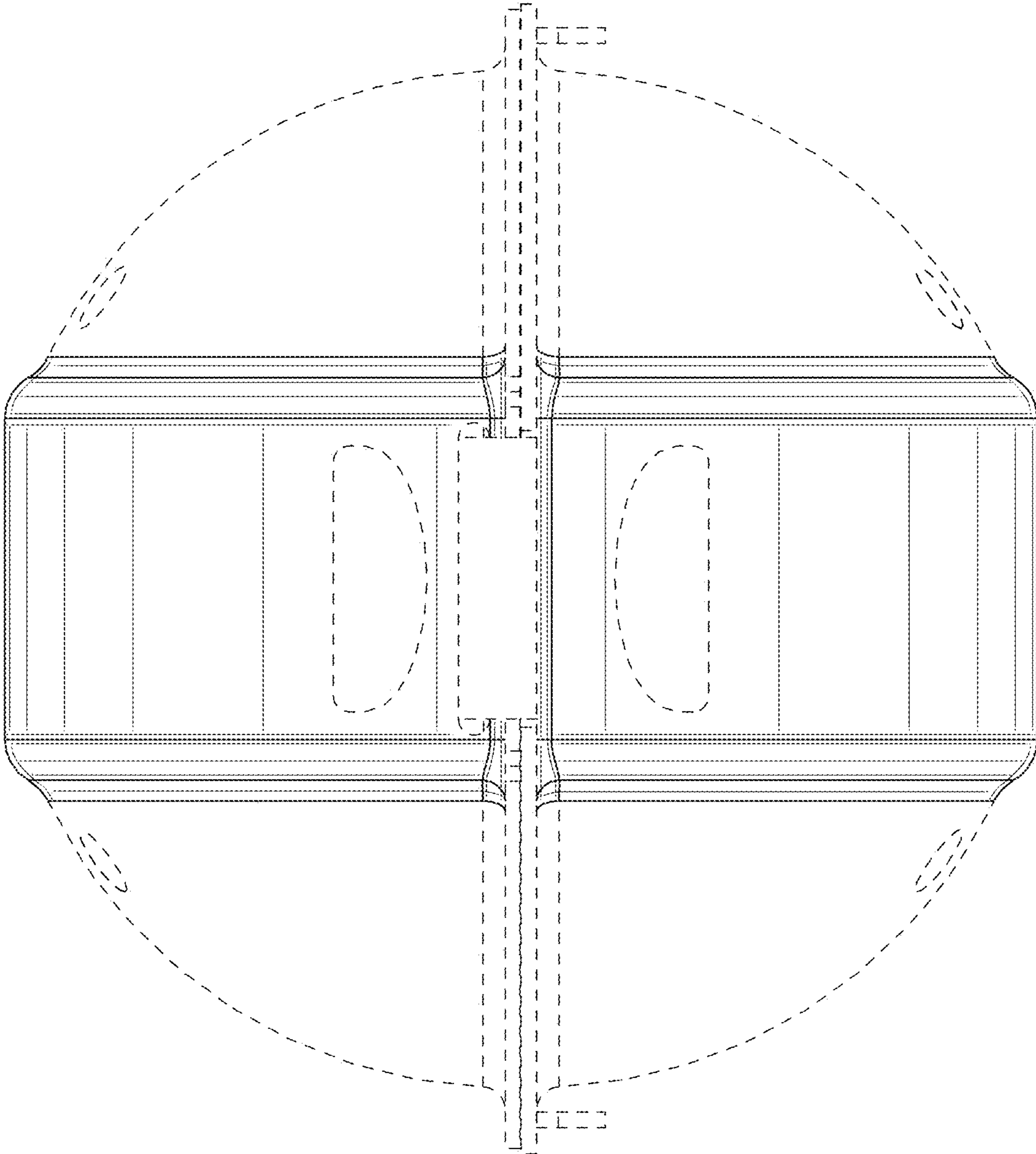


FIG. 1

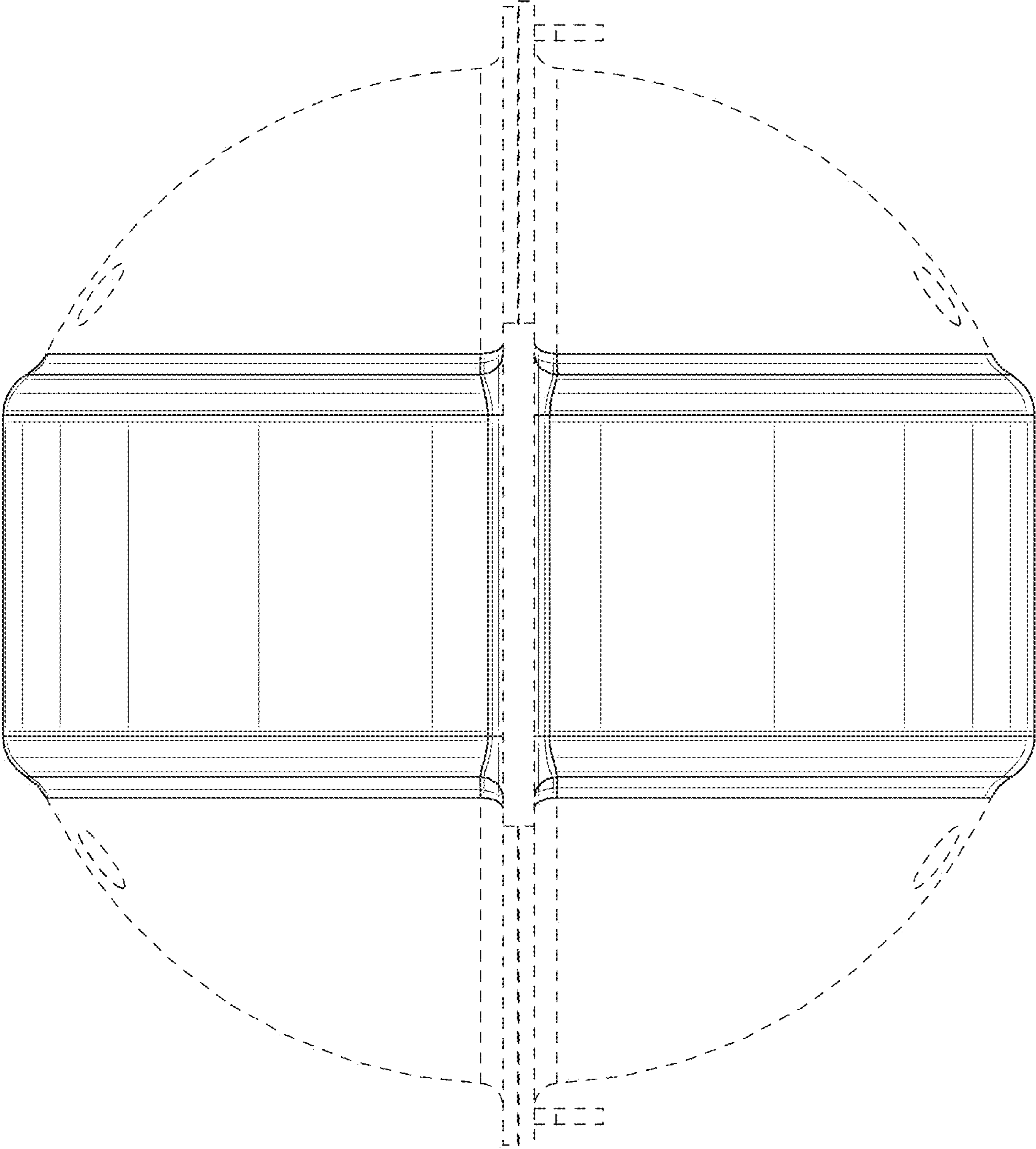


FIG. 2

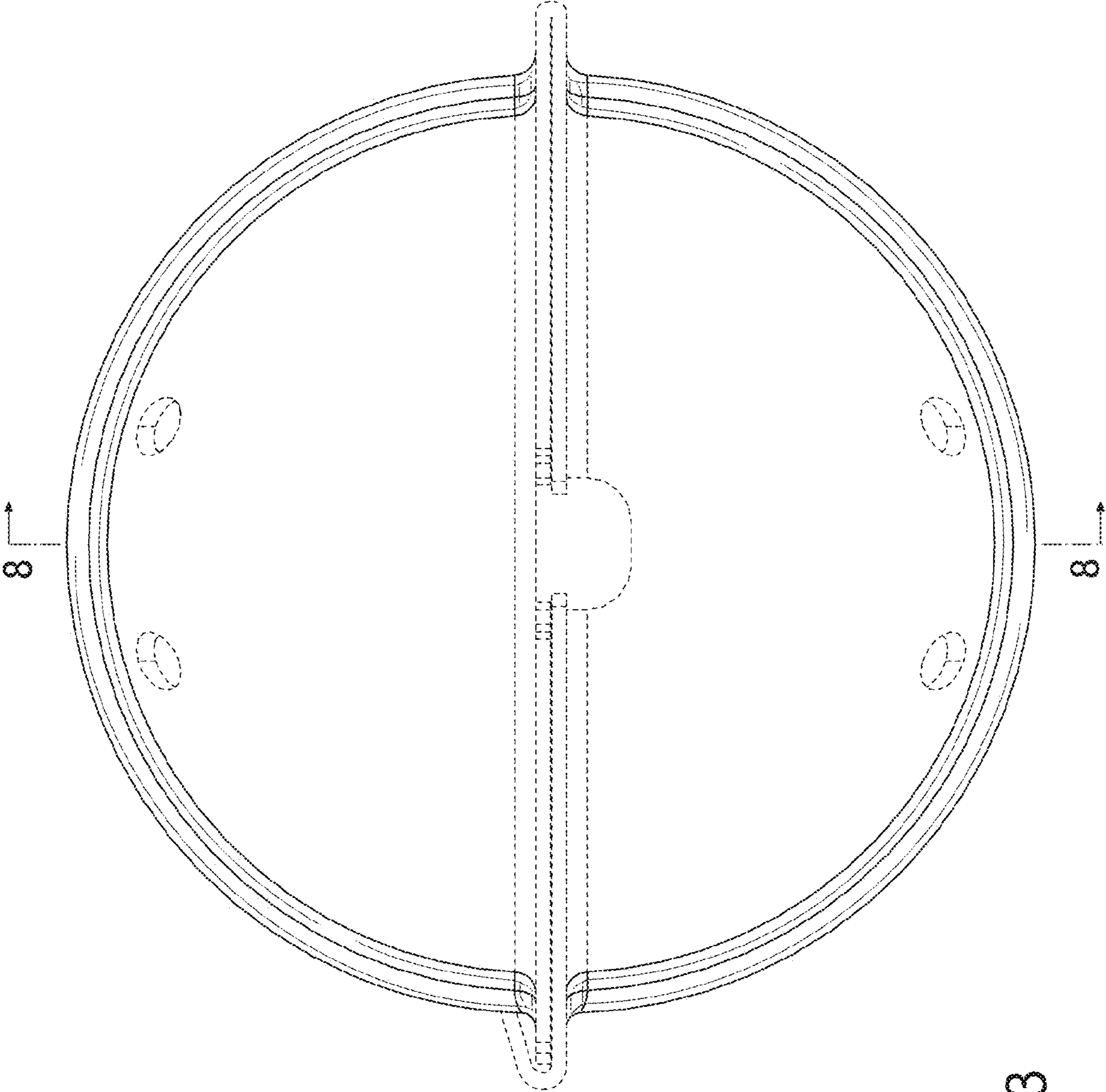


FIG. 3

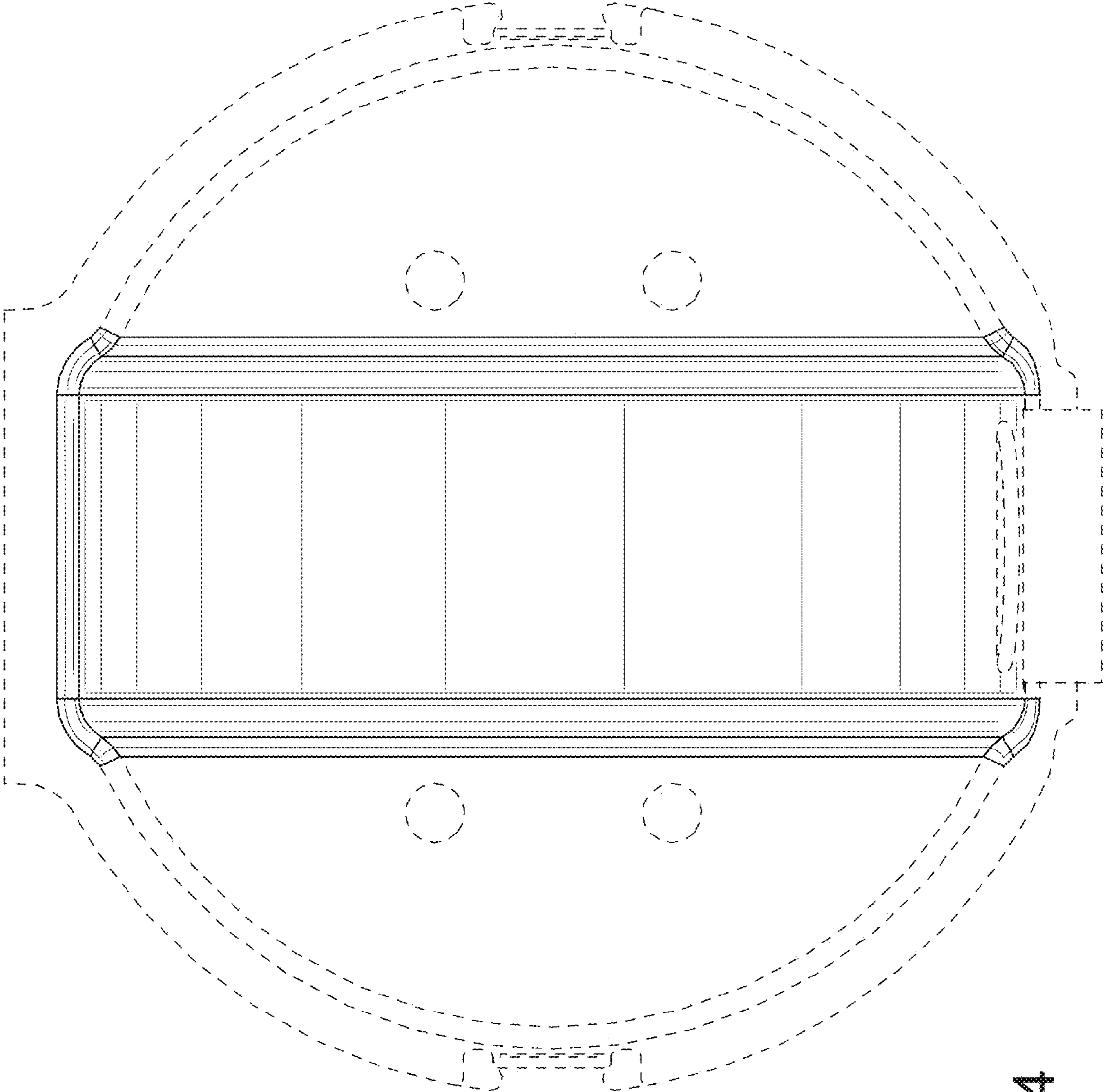


FIG. 4

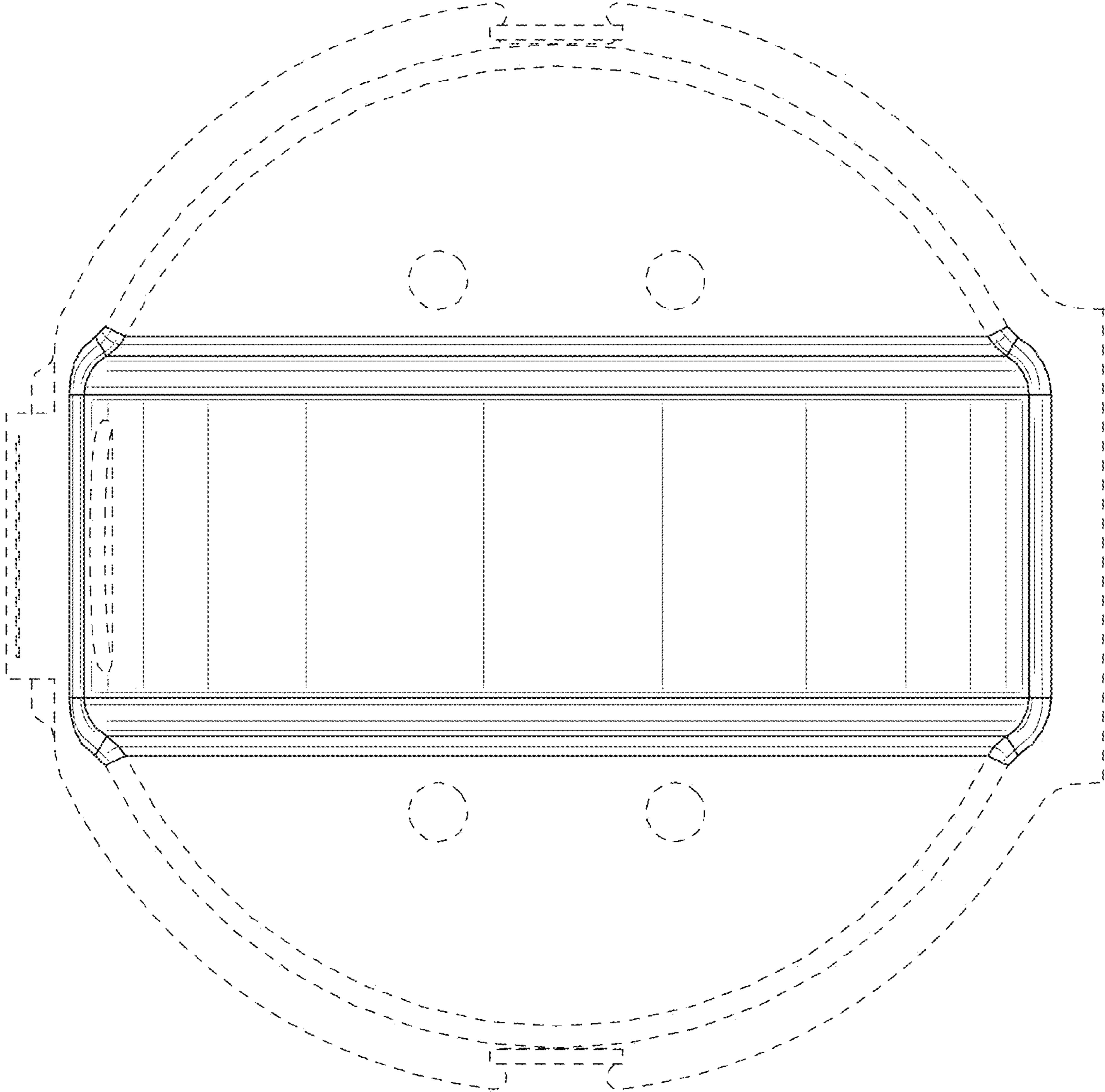


FIG. 5

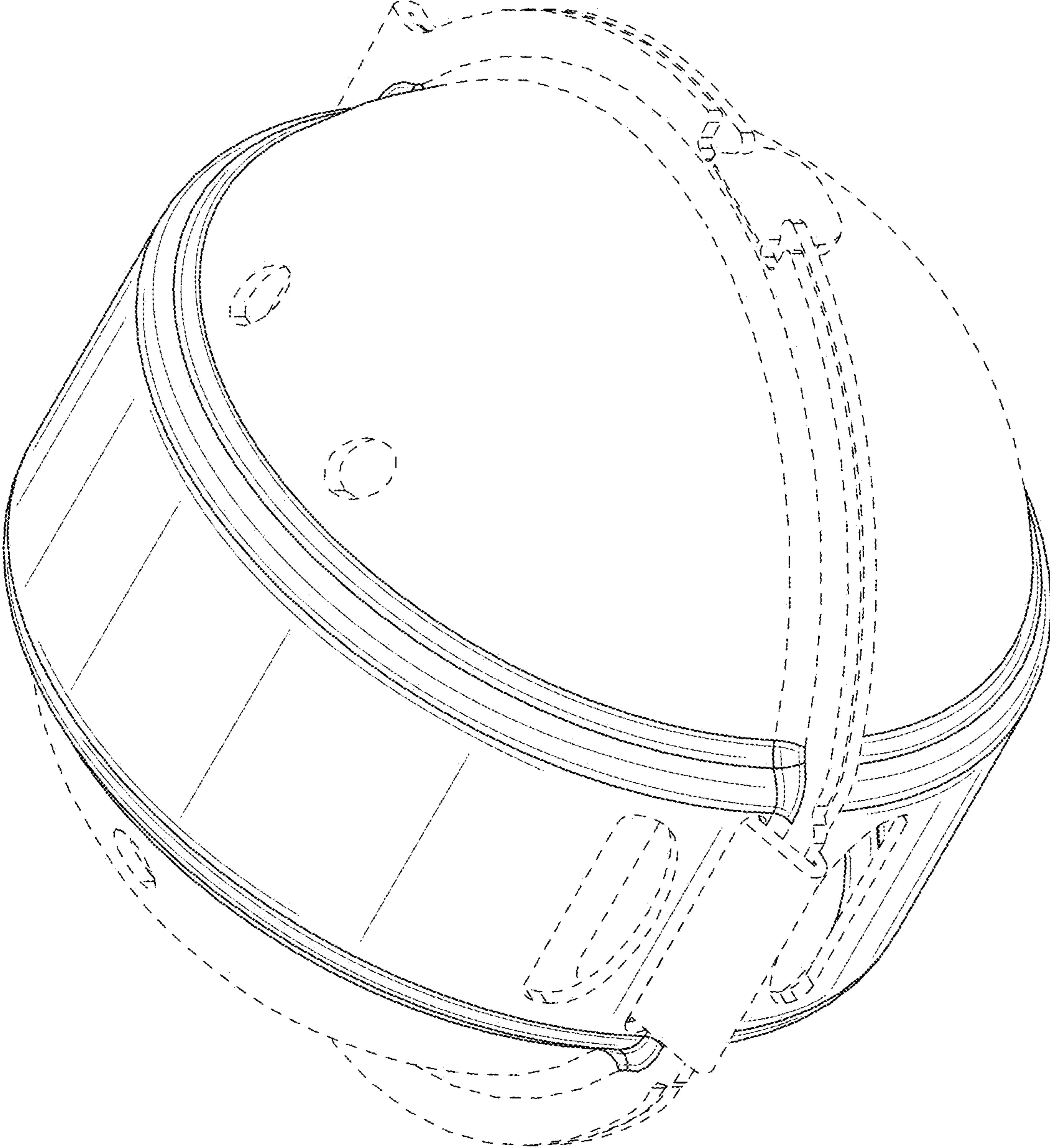


FIG. 6

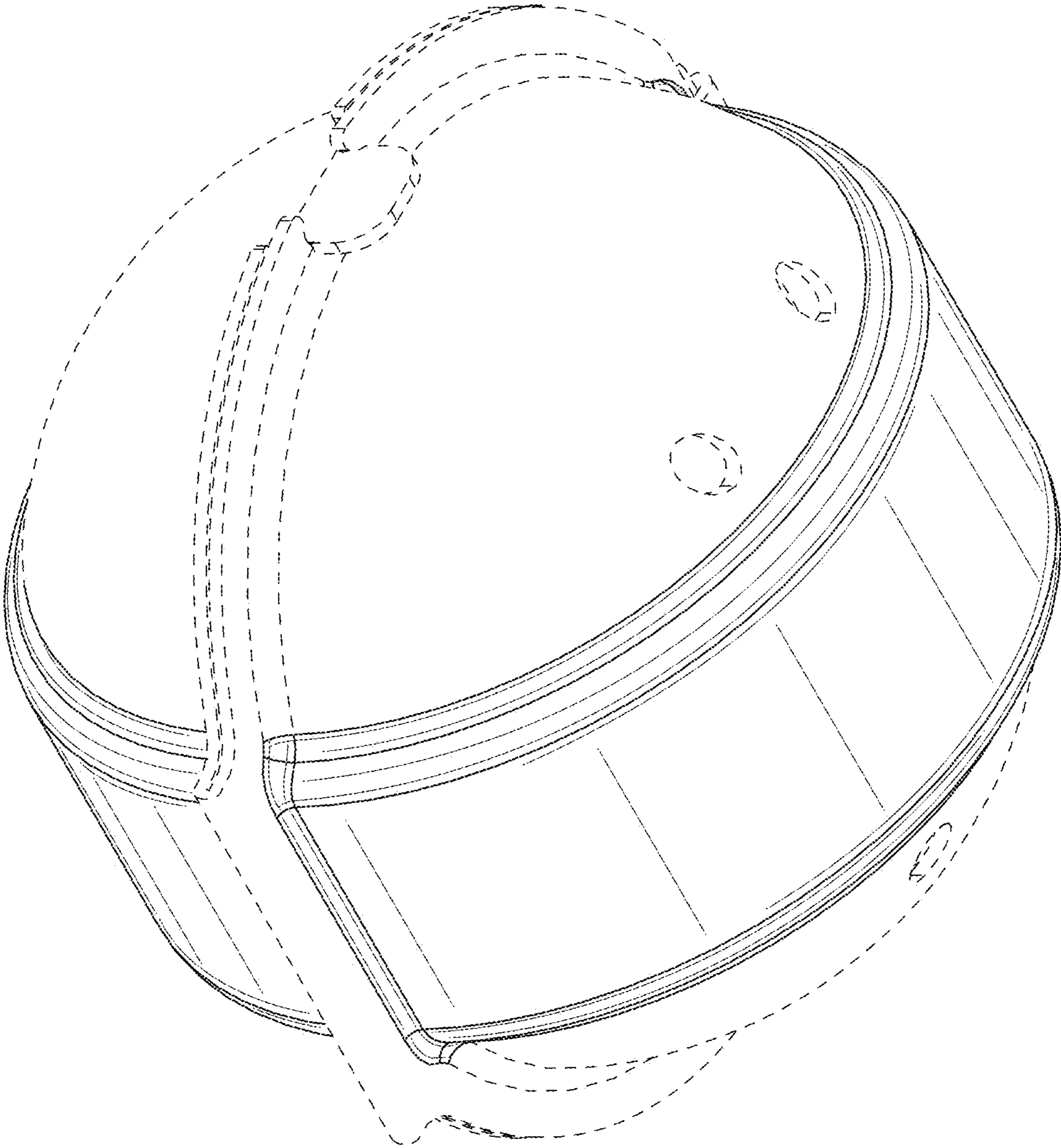


FIG. 7

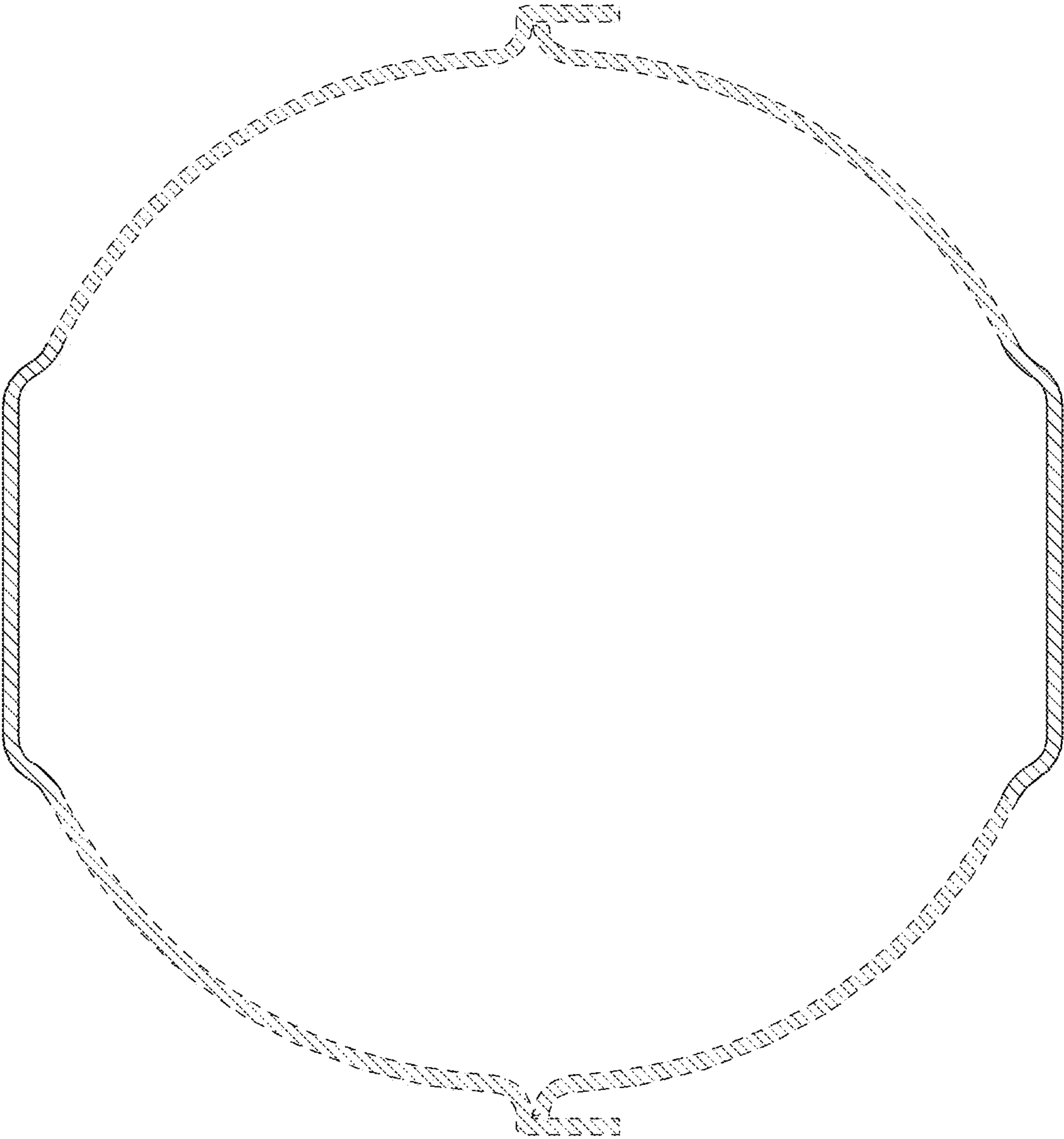


FIG. 8

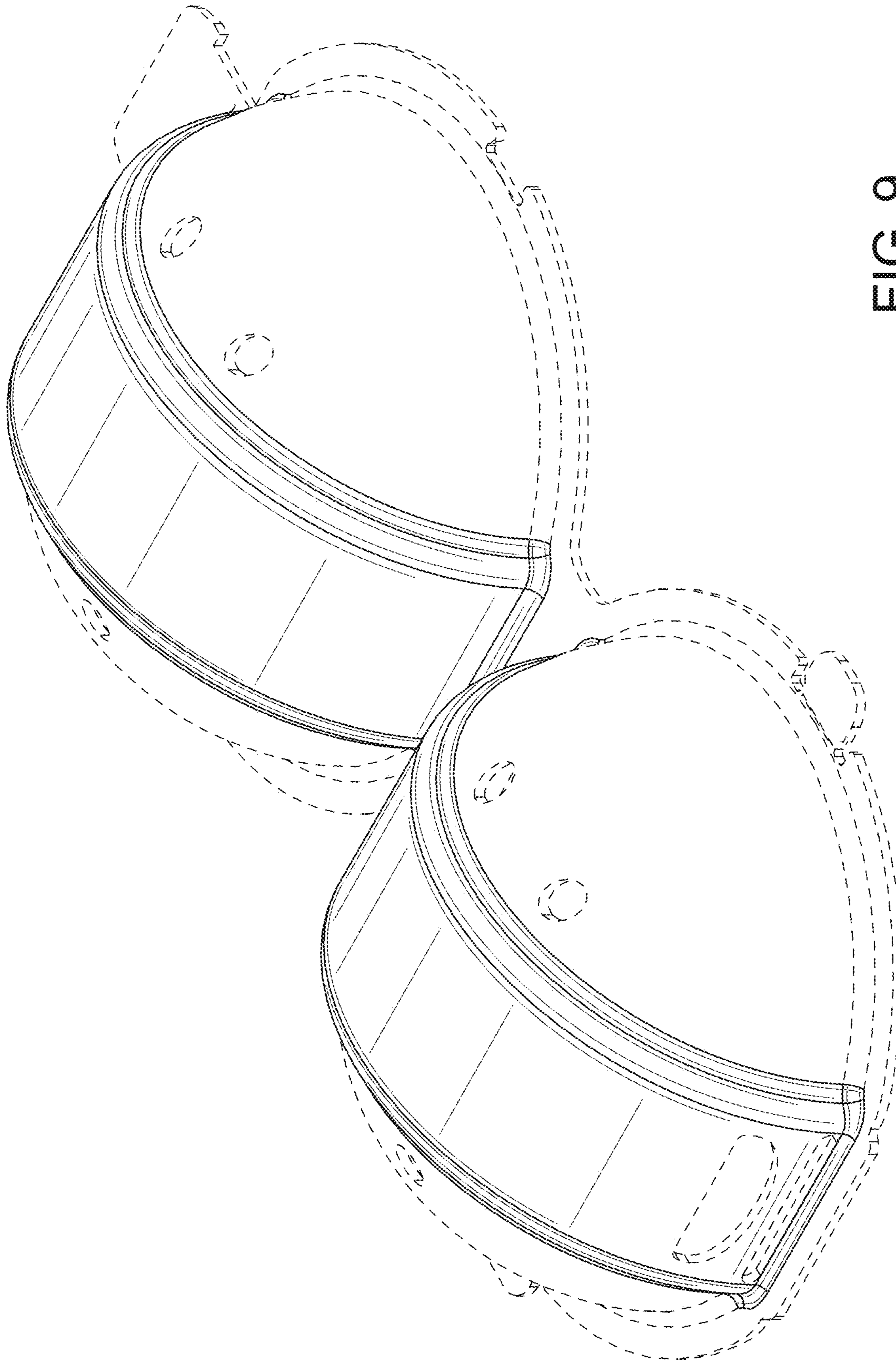


FIG. 9

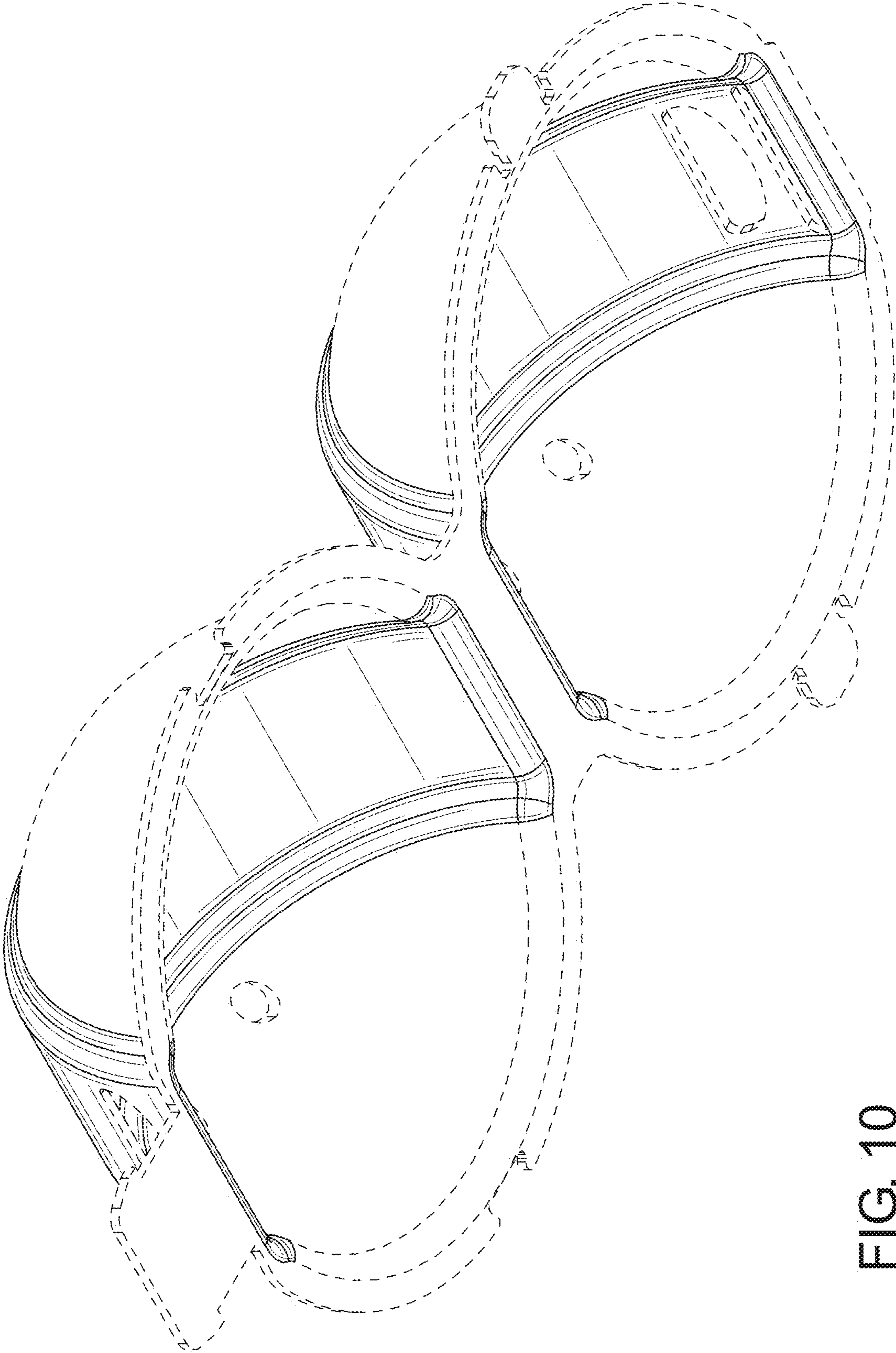


FIG. 10