



US00D965686S

(12) **United States Design Patent** (10) **Patent No.:** **US D965,686 S**
Xiao (45) **Date of Patent:** **** Oct. 4, 2022**

(54) **HANDHELD GAME CONSOLE**
(71) Applicant: **Shenzhen Moorechip Technologies Co., Ltd, Guangdong (CN)**
(72) Inventor: **Wei Xiao, Guangdong (CN)**
(73) Assignee: **Shenzhen Moorechip Technologies Co., Ltd, Shenzhen (CN)**

D622,245 S * 8/2010 Okada D14/138 G
D623,214 S * 9/2010 Onoda D21/329
D664,601 S * 7/2012 Sogabe D14/401
D666,679 S * 9/2012 Ehara D21/333
D681,127 S * 4/2013 Ashida D21/333
D681,128 S * 4/2013 Ashida D14/401
D686,669 S * 7/2013 Ashida D21/333
D689,138 S * 9/2013 Ashida D21/332
D691,663 S * 10/2013 Ashida D21/332
D692,882 S * 11/2013 Lakraa D14/401

(Continued)

(**) Term: **15 Years**
(21) Appl. No.: **29/761,527**

(22) Filed: **Dec. 9, 2020**

(30) **Foreign Application Priority Data**

Nov. 11, 2020 (CN) 202030681618.5

(51) **LOC (13) Cl.** **21-01**

(52) **U.S. Cl.**
USPC **D21/329**

(58) **Field of Classification Search**
USPC D21/324–337, 566, 572–574; D14/217, D14/218, 356, 387, 388, 389, 400, 401, D14/415, 418, 426–431, 443, 447, 449, D14/450, 454, 455, 471, 474, 483, 496, D14/511; D13/164, 168
CPC A63F 13/00; A63F 13/98; A63F 13/24; A63F 9/0291; A63F 9/00; A63F 9/02; A63F 9/24; A63F 2300/00; A63F 2300/1031; A63F 13/214; A63F 13/23; G11B 33/123; G11B 25/043; G06F 1/169; G06F 1/1688; B60R 11/0217; H04M 1/233

See application file for complete search history.

(56) **References Cited**

U.S. PATENT DOCUMENTS

D528,543 S * 9/2006 Ogasawara D21/329
D568,883 S * 5/2008 Ashida D21/333
D619,991 S * 7/2010 Huang D14/138 G

OTHER PUBLICATIONS

“How to set up Nintendo switch lite for beginners” posted Dec. 6, 2019[Online].[retrieved Feb. 26, 2022]. Retrieved from Internet: <https://www.youtube.com/watch?v=dm9vO8md4dE>.*

Primary Examiner — Mehri F Bajoul

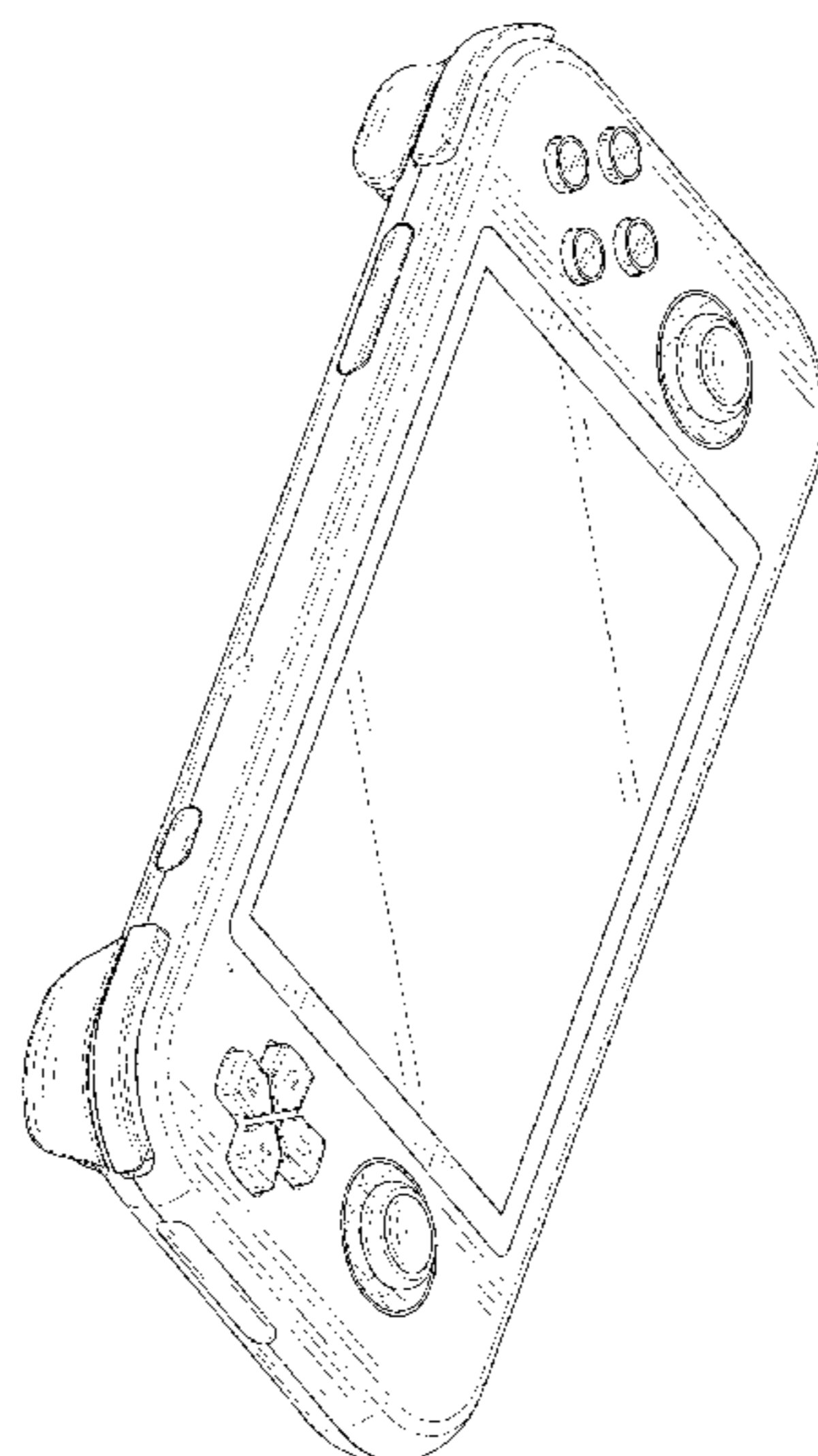
(57) **CLAIM**

The ornamental design for a handheld game console, as shown and described.

DESCRIPTION

FIG. 1 is a top, front and left side perspective view of a handheld game console showing my new design;
FIG. 2 is a bottom, rear and left side perspective view thereof;
FIG. 3 is a bottom, rear and right side perspective view thereof;
FIG. 4 is a front elevational view thereof;
FIG. 5 is a rear elevational view thereof;
FIG. 6 is a left side view thereof;
FIG. 7 is a right side view thereof;
FIG. 8 is a top plan view thereof; and,
FIG. 9 is a bottom plan view thereof.
The broken lines in the drawings illustrate portions of the handheld game console which form no part of the claimed design.
The oblique shade lines in the drawings represent reflective surfaces.

1 Claim, 9 Drawing Sheets



(56)

References Cited

U.S. PATENT DOCUMENTS

D697,139 S * 1/2014 Sugino D14/345
 D697,141 S * 1/2014 Sugino D21/333
 D697,143 S * 1/2014 Sugino D21/333
 D706,356 S * 6/2014 Sugino D21/333
 D720,342 S * 12/2014 Starrett D14/401
 D740,885 S * 10/2015 Nokuo D14/401
 D768,785 S * 10/2016 Kim D21/333
 D819,696 S * 6/2018 Ehara D14/203.7
 D830,465 S * 10/2018 Suetake D21/330
 D833,531 S * 11/2018 Suetake D21/330
 D867,365 S * 11/2019 Corigliano D14/401
 D875,835 S * 2/2020 Yamamoto D21/333
 D881,191 S * 4/2020 Navid D14/401
 D881,992 S * 4/2020 Liu D21/333
 D888,157 S * 6/2020 Wei D21/331
 D894,280 S * 8/2020 Ehara D21/331
 D916,980 S * 4/2021 Chen D21/333
 D922,492 S * 6/2021 Li D21/333

2006/0279039 A1* 12/2006 Krieger A63F 13/54
 463/36
 2009/0122681 A1* 5/2009 Ishihara G11B 25/043
 369/75.11
 2011/0242134 A1* 10/2011 Miller G06F 3/013
 345/633
 2011/0260830 A1* 10/2011 Weising A63F 13/40
 340/5.52
 2012/0058821 A1* 3/2012 Lan A63F 13/92
 463/30
 2012/0188694 A1* 7/2012 Sakakibara G06F 1/169
 361/679.01
 2013/0040088 A1* 2/2013 Hirayama B32B 3/10
 428/41.7
 2013/0063879 A1* 3/2013 Ishiwata G06F 1/1632
 361/679.01
 2014/0243092 A1* 8/2014 Morita A63F 13/95
 463/31
 2016/0361627 A1* 12/2016 Fujita A63F 13/21

* cited by examiner

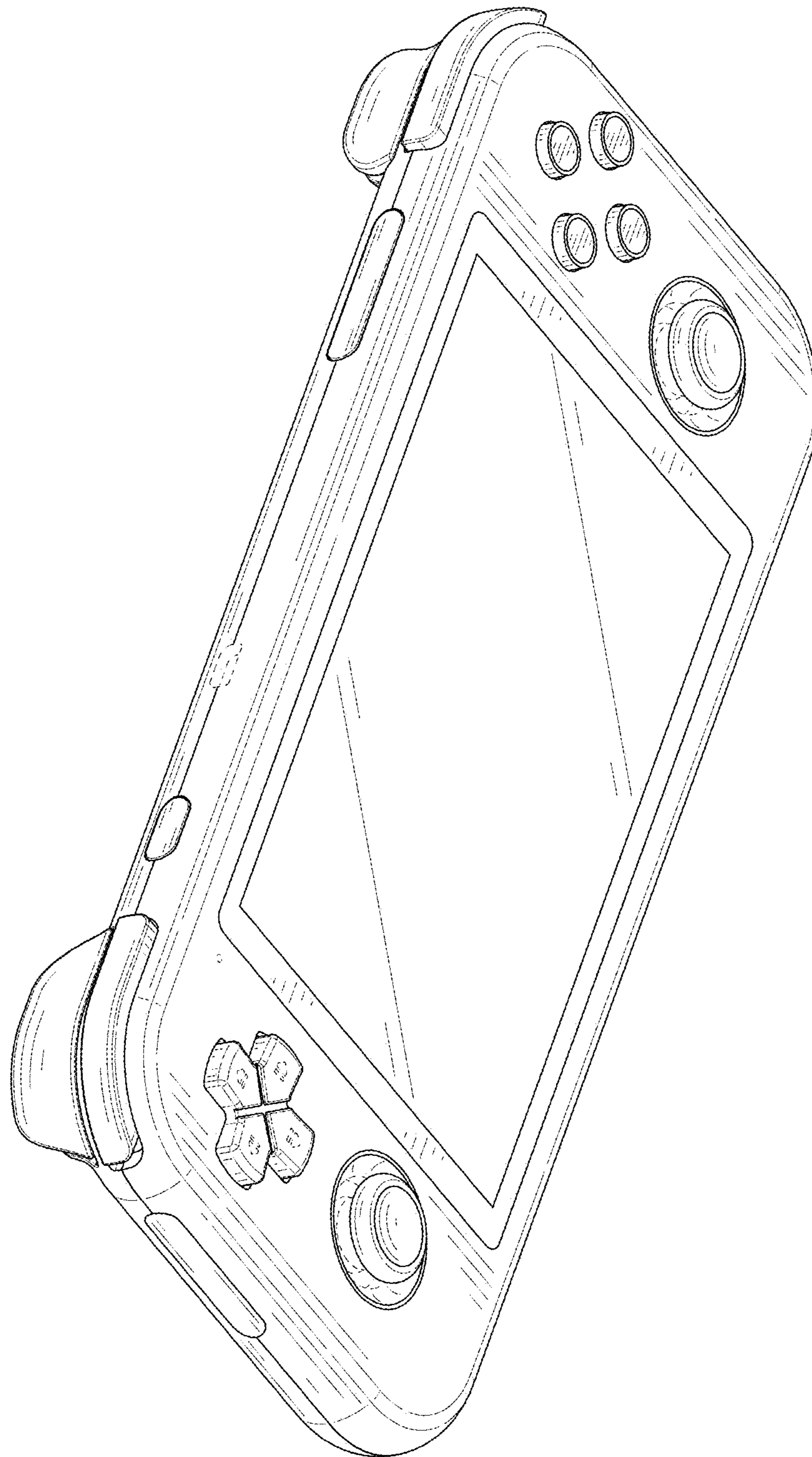


FIG. 1

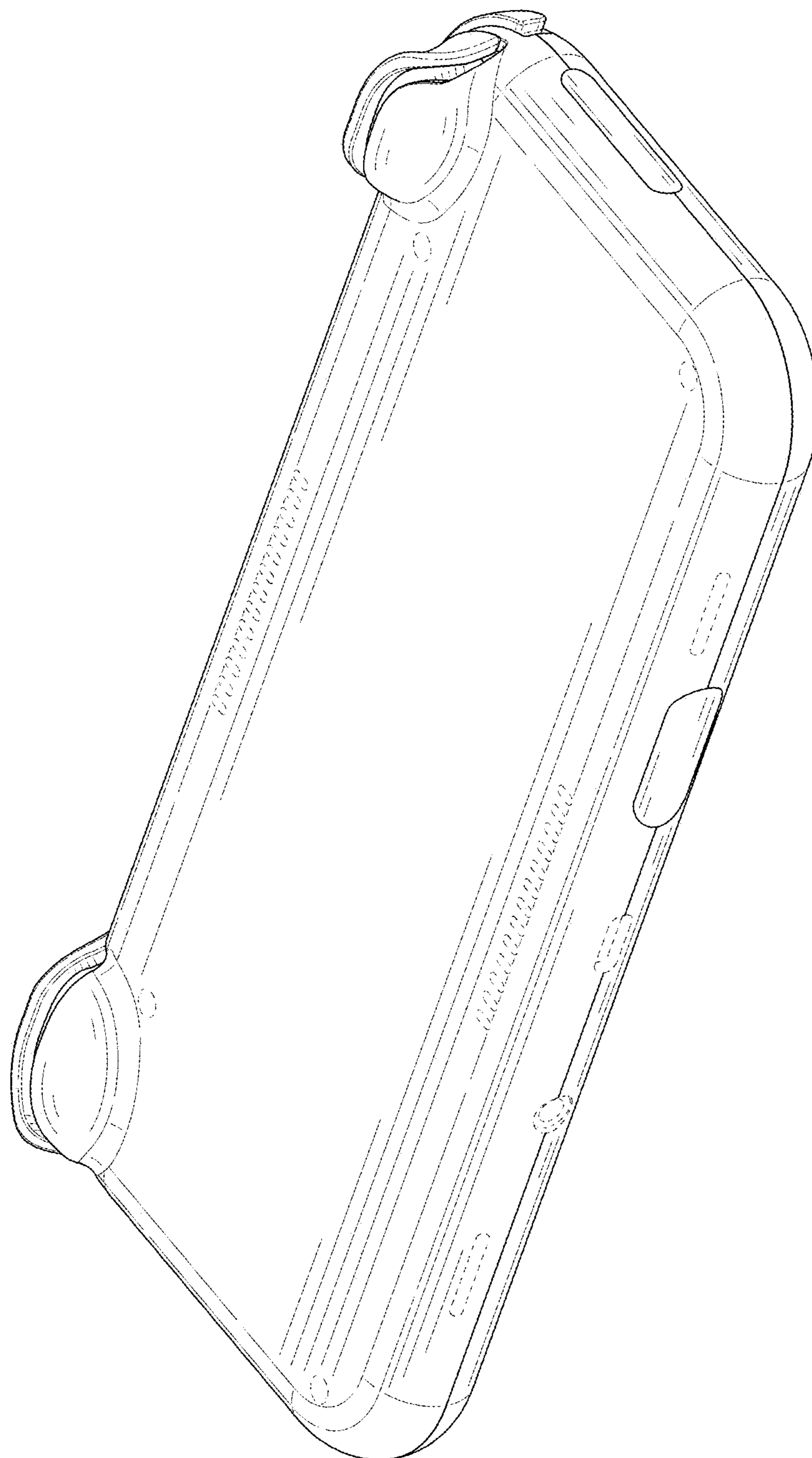


FIG. 2

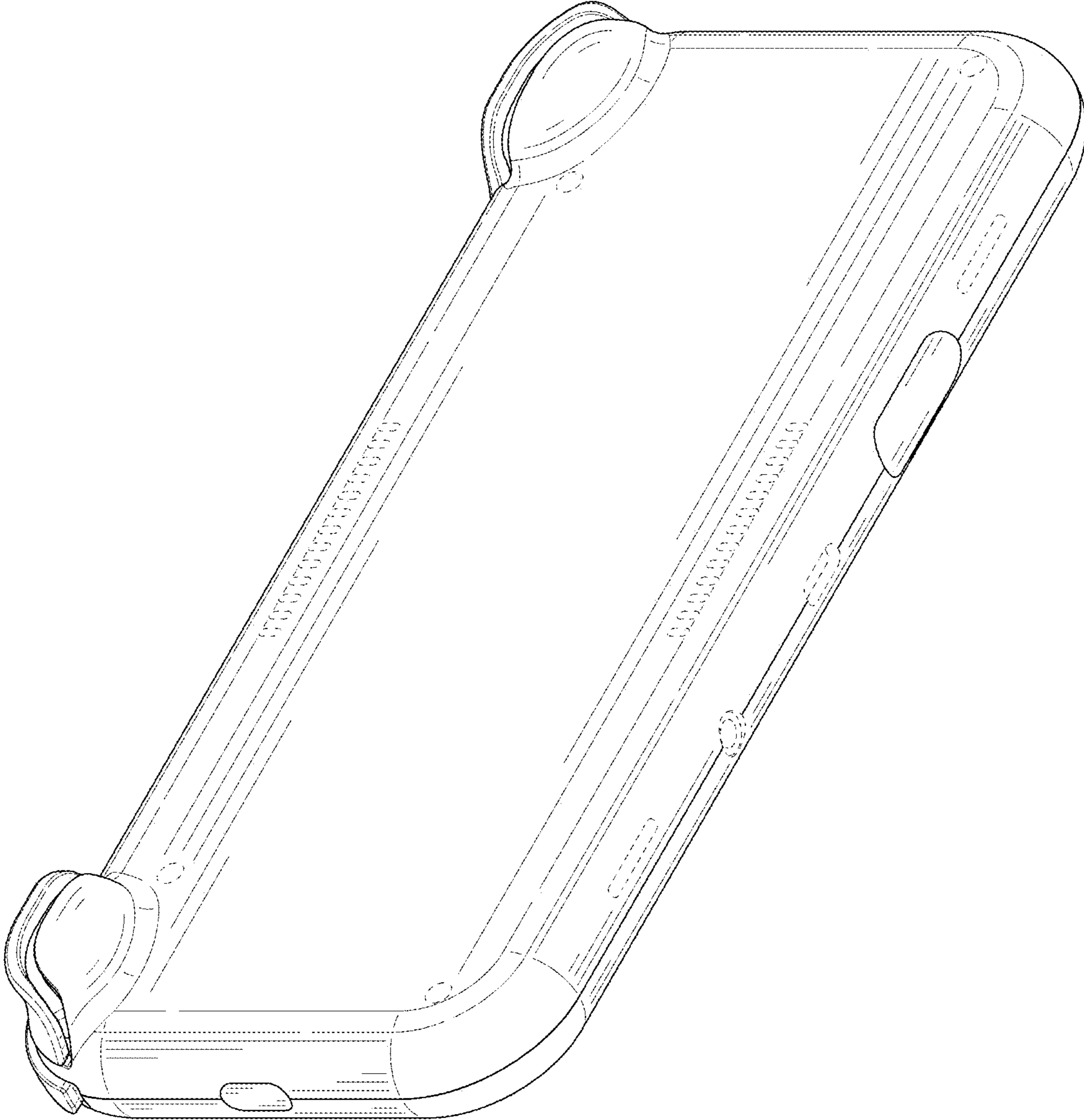


FIG. 3

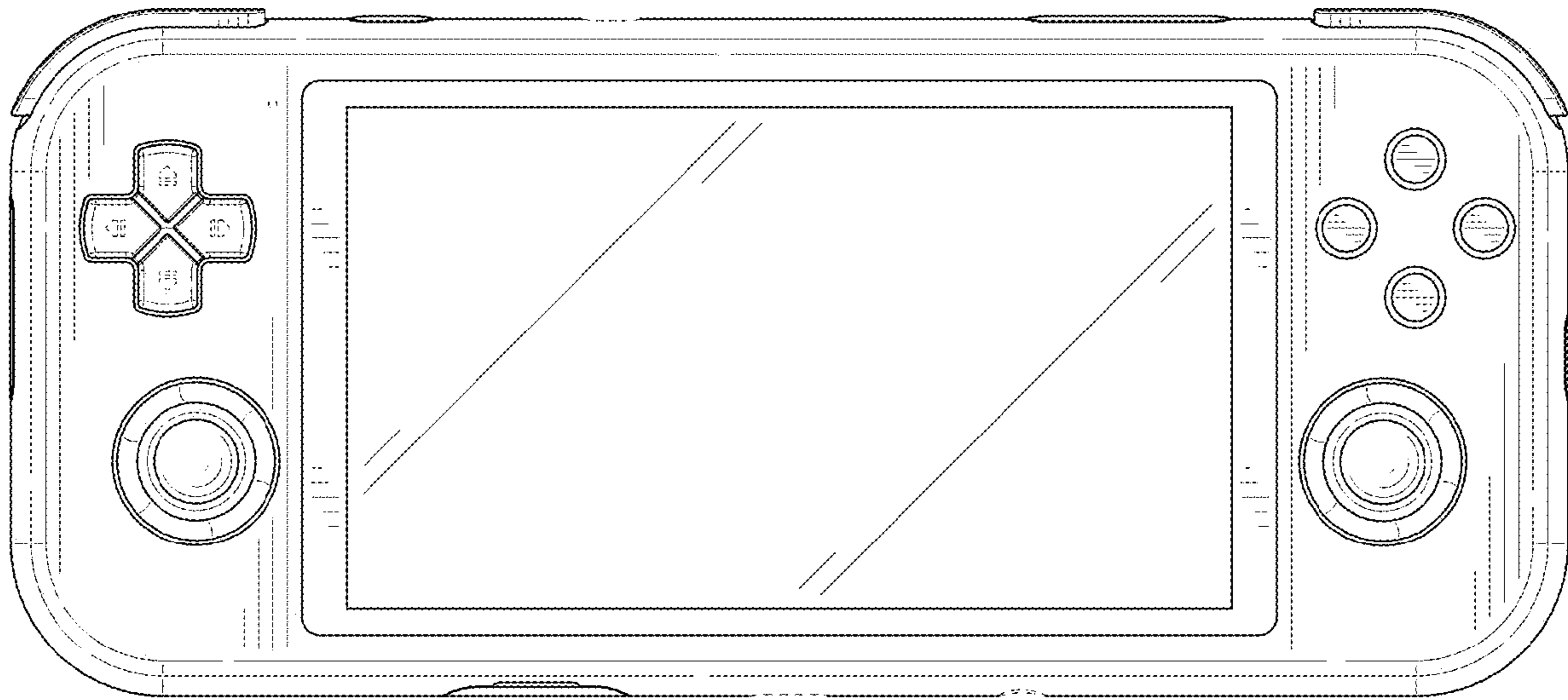


FIG. 4

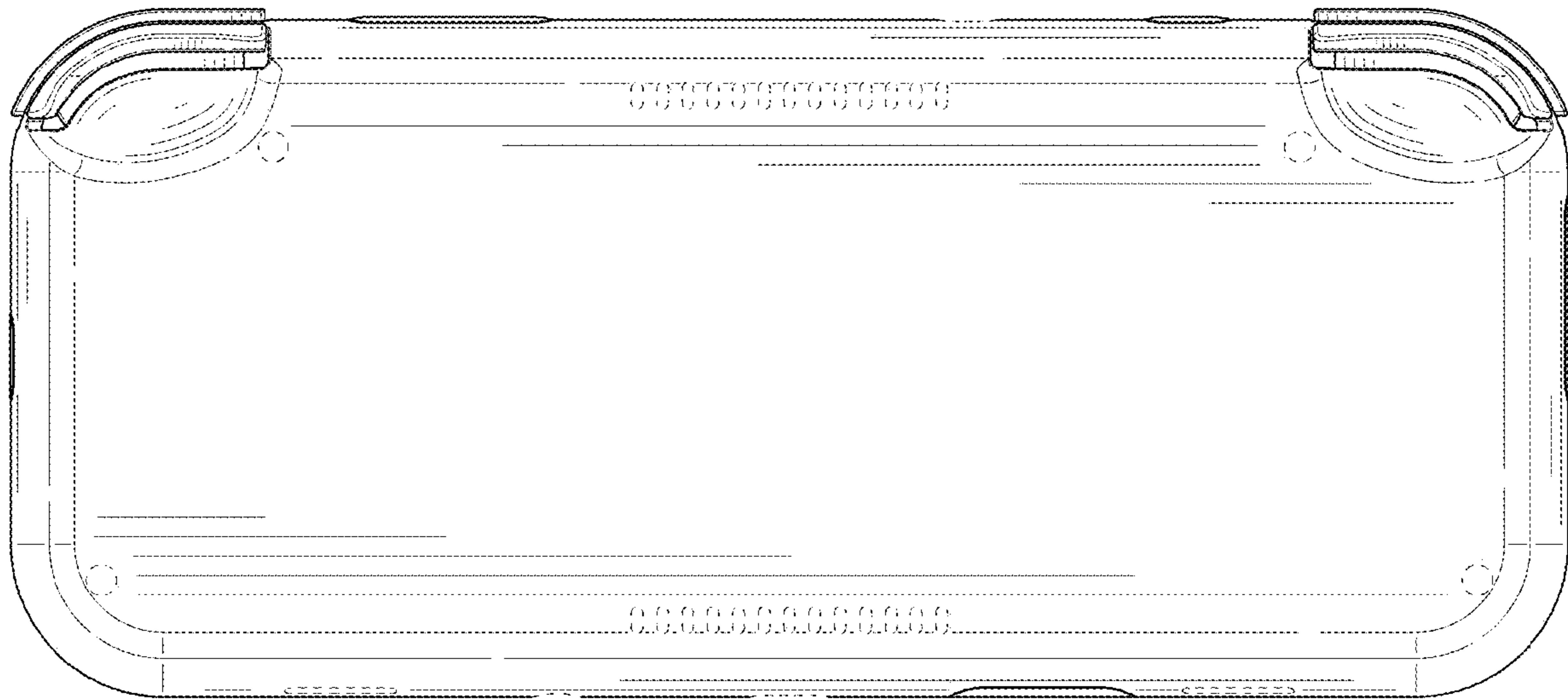


FIG. 5

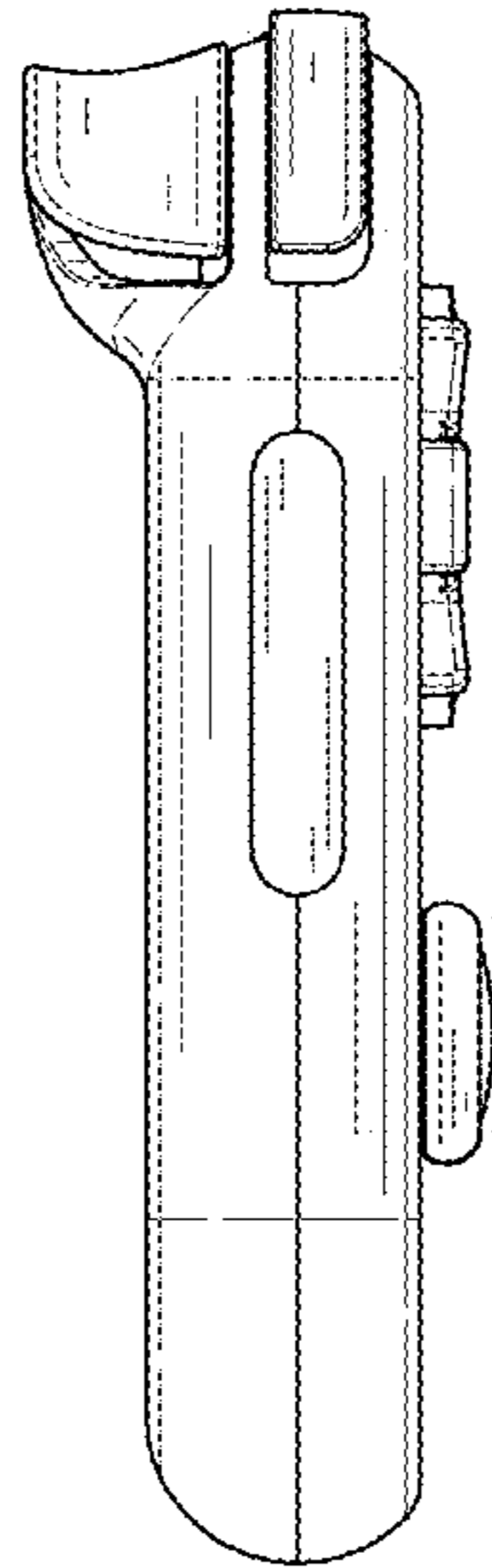


FIG. 6

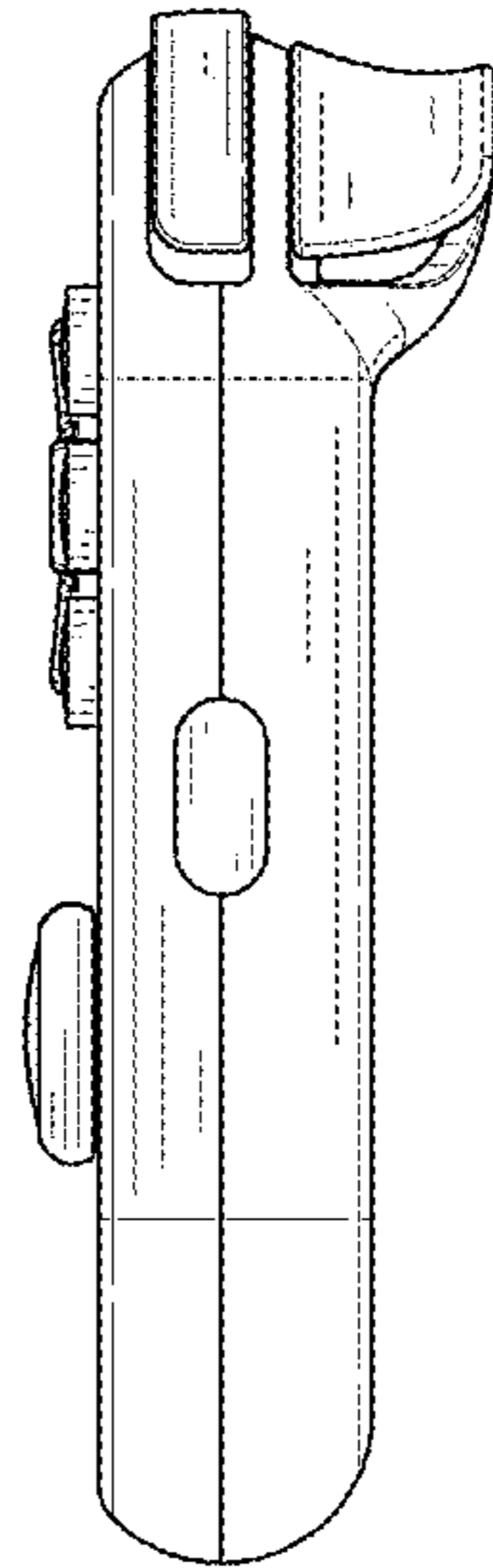


FIG. 7

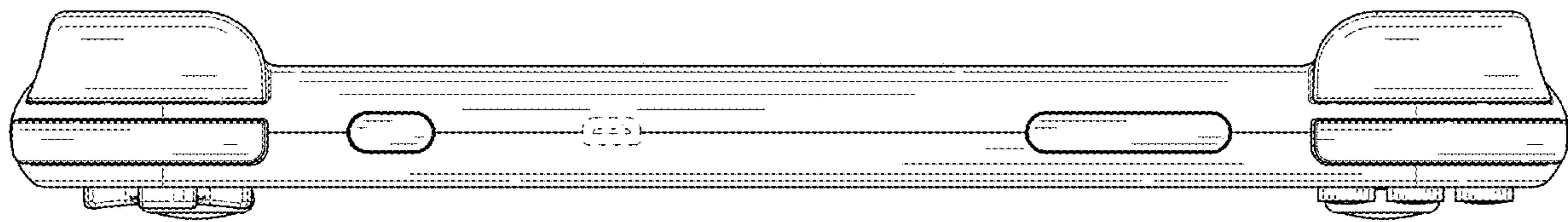


FIG. 8

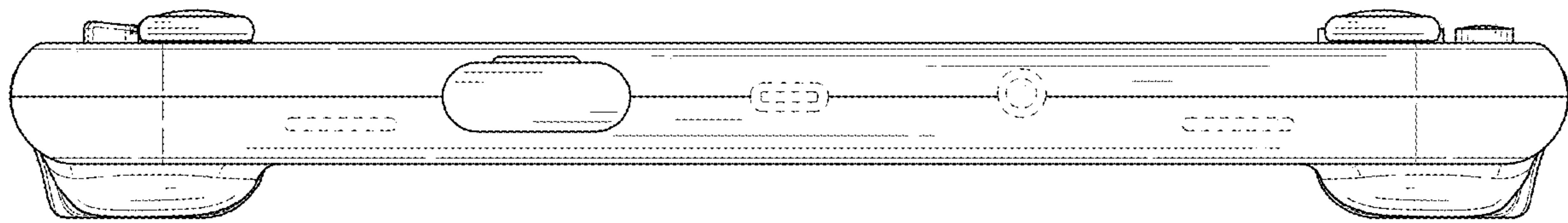


FIG. 9