



US00D965685S

(12) **United States Design Patent** (10) **Patent No.:** **US D965,685 S**  
**Lewis et al.** (45) **Date of Patent:** **\*\* Oct. 4, 2022**

(54) **DISPLAY HOLDER FOR GARMENT AND ACCESSORIES**

(71) Applicants: **Stephen Arthur Lewis**, Pacific Palisades, CA (US); **Arthur Snyder**, Los Angeles, CA (US)

(72) Inventors: **Stephen Arthur Lewis**, Pacific Palisades, CA (US); **Arthur Snyder**, Los Angeles, CA (US)

(\*\*) Term: **15 Years**

(21) Appl. No.: **29/798,178**

(22) Filed: **Jul. 6, 2021**

**Related U.S. Application Data**

(63) Continuation-in-part of application No. 29/705,041, filed on Sep. 9, 2019, now Pat. No. Des. 925,658, and a continuation-in-part of application No. 15/593,664, filed on May 12, 2017, now Pat. No. 10,420,383.

(60) Provisional application No. 62/335,183, filed on May 12, 2016.

(51) **LOC (13) Cl.** ..... **20-03**

(52) **U.S. Cl.**  
USPC ..... **D20/43**

(58) **Field of Classification Search**  
USPC ..... D3/201, 207, 208, 215, 218, 212;  
D10/104.1, 106.9, 106.92; D20/10, 11,  
D20/12, 19, 22, 23, 24, 25, 27, 28, 29,  
D20/30, 31, 40, 99  
CPC ..... G09F 2003/0282; G09F 3/12; G09F 3/04;  
G09F 3/02; G09F 3/0323; G09F 3/16;  
G09F 3/06; G09F 3/08; G09F 2003/0277;  
G09F 2003/0276; G09F 21/023; G09F  
3/0286; G09F 3/20; G09F 7/06  
See application file for complete search history.

(56) **References Cited**

U.S. PATENT DOCUMENTS

5,000,484 A \* 3/1991 Phelan ..... G09F 3/00  
283/81  
5,979,028 A 11/1999 Hicks et al.  
6,455,128 B1 9/2002 Moon  
D538,351 S \* 3/2007 Strong ..... D20/27  
7,325,335 B2 2/2008 Cook-Euell  
(Continued)

*Primary Examiner* — Mary Ann Calabrese  
*Assistant Examiner* — Catherine Ho

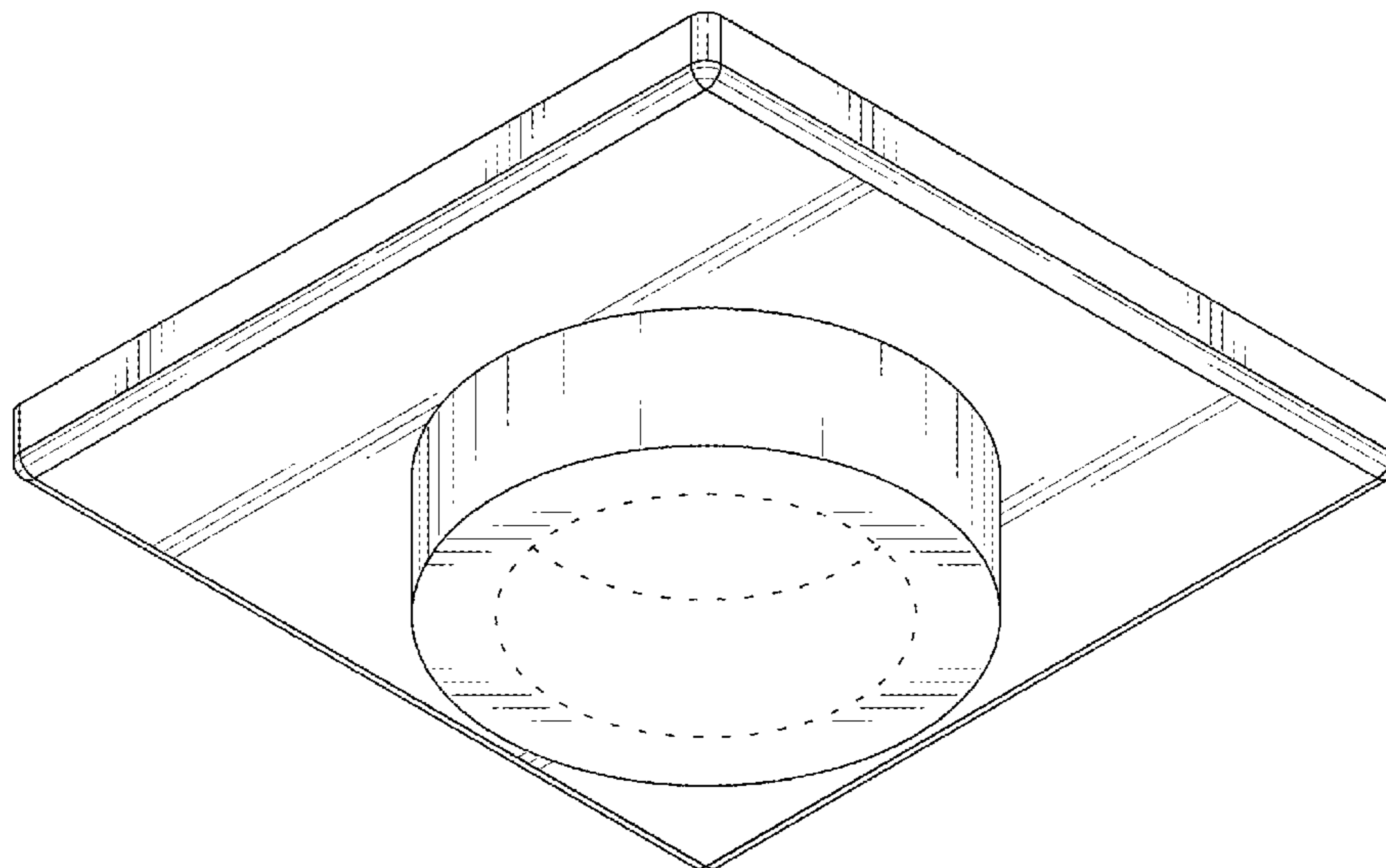
(57) **CLAIM**

The ornamental design for a display holder for garment and accessories, as shown and described.

**DESCRIPTION**

FIG. 1 is a top-front-left perspective view of a display holder for garment and accessories, showing my new design; FIG. 2 is a bottom-rear-right perspective view thereof; FIG. 3 is a front elevational view thereof; FIG. 4 is a rear elevational view thereof; FIG. 5 is a top plan view thereof; FIG. 6 is a bottom plan view thereof; FIG. 7 is a right elevational view thereof; FIG. 8 is a left elevational view thereof; FIG. 9 is a top-front-left exploded perspective view of a display holder for garment and accessories shown in an environment of use; FIG. 10 is a bottom-rear-right exploded perspective view thereof; FIG. 11 is a top-front-left perspective view of a display holder for garment and accessories shown in an environment of use; and, FIG. 12 is a bottom-rear-right perspective view thereof. The broken lines showing an orifice in FIGS. 2, 6, and 10, the broken lines showing threading in FIGS. 9 and 10, and the broken lines showing a display-holding clip in FIGS. 9-12 are included for the purpose of illustrating environmental structure and form no part of the claimed design.

**1 Claim, 12 Drawing Sheets**



(56)

**References Cited**

U.S. PATENT DOCUMENTS

7,444,724 B1 11/2008 Peder  
D617,881 S \* 6/2010 Tausch ..... D23/262  
D637,235 S \* 5/2011 Reiss ..... D20/27  
7,999,818 B2 8/2011 Mamoudis et al.  
D688,596 S \* 8/2013 Dunn ..... D11/184  
D688,976 S \* 9/2013 Dunn ..... D11/184  
D710,231 S \* 8/2014 Barksdale ..... D10/106.9  
D774,934 S \* 12/2016 Akana ..... D10/104.1  
D787,357 S \* 5/2017 Akana ..... D10/104.1  
10,570,593 B1 \* 2/2020 McCauley ..... E03C 1/30  
D925,658 S \* 7/2021 Lewis ..... D20/43  
2006/0260153 A1 11/2006 White  
2009/0056177 A1 3/2009 Mallozzi et al.  
2011/0265363 A1 11/2011 Oliver-Collins et al.  
2011/0296728 A1 12/2011 Bolt  
2016/0027271 A1 \* 1/2016 Paul ..... E05B 73/0017  
340/572.1  
2016/0365739 A1 \* 12/2016 Lewis ..... G08C 17/02  
2022/0022609 A1 \* 1/2022 Lewis ..... A44C 1/00

\* cited by examiner

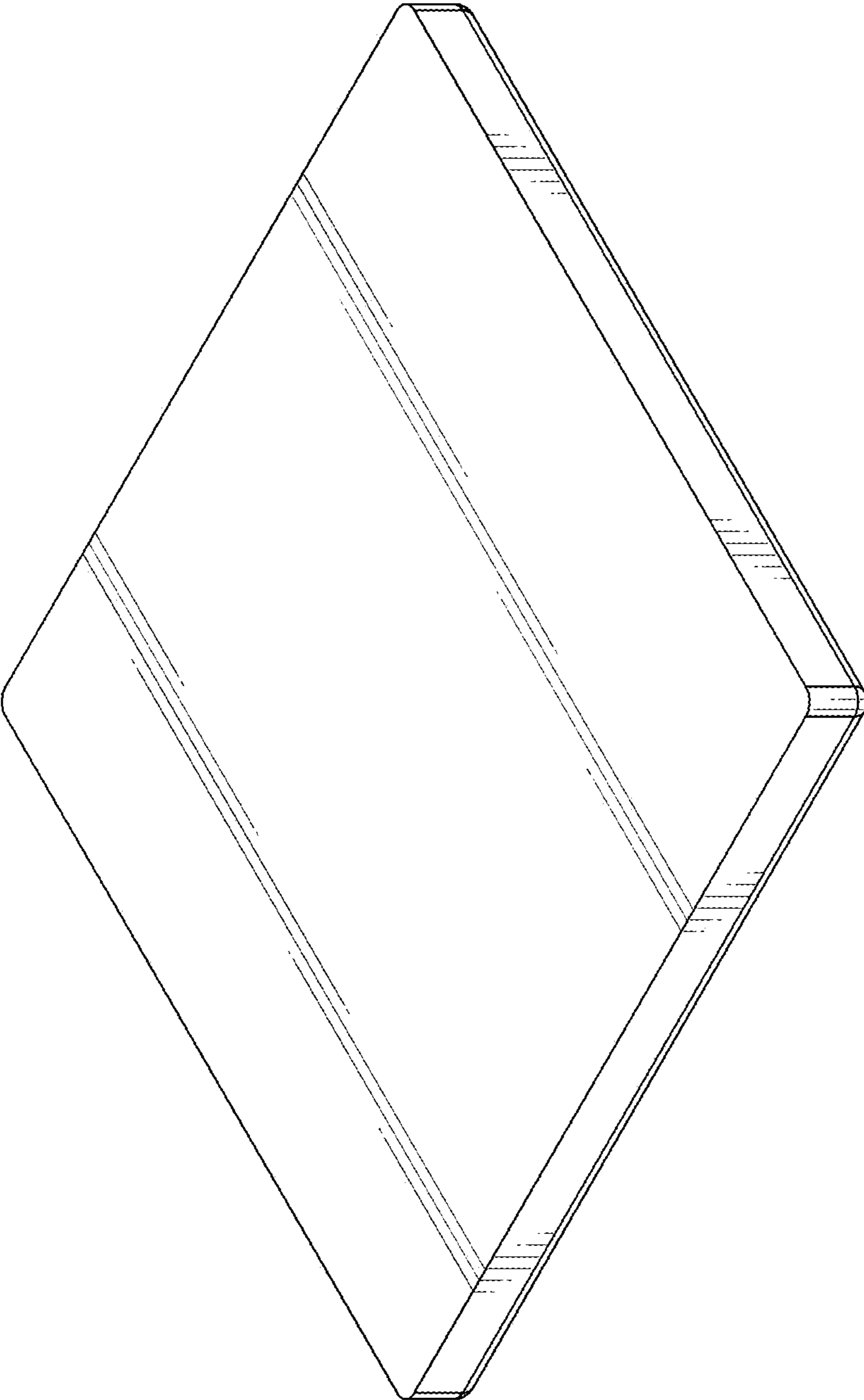


FIG. 1

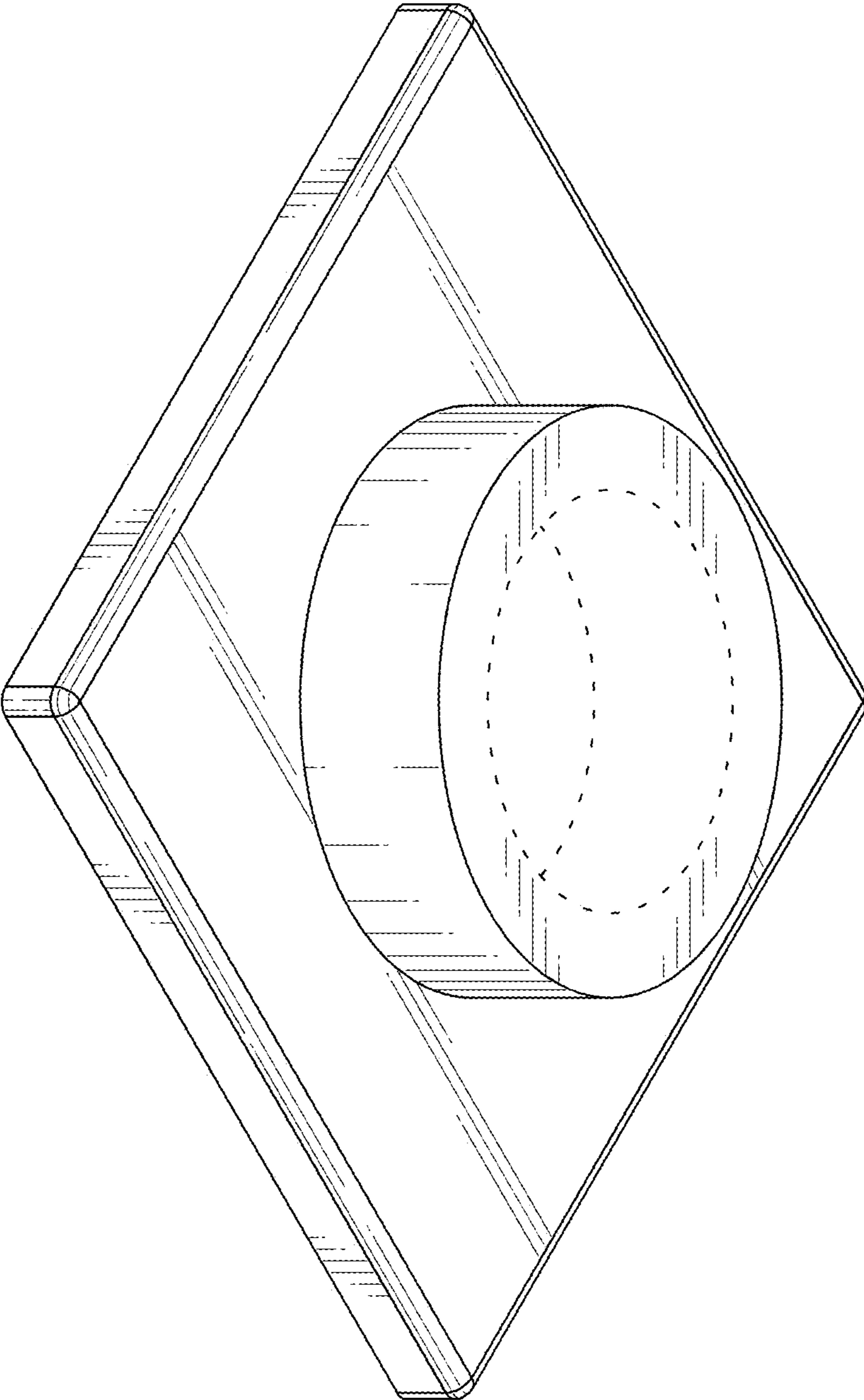


FIG. 2

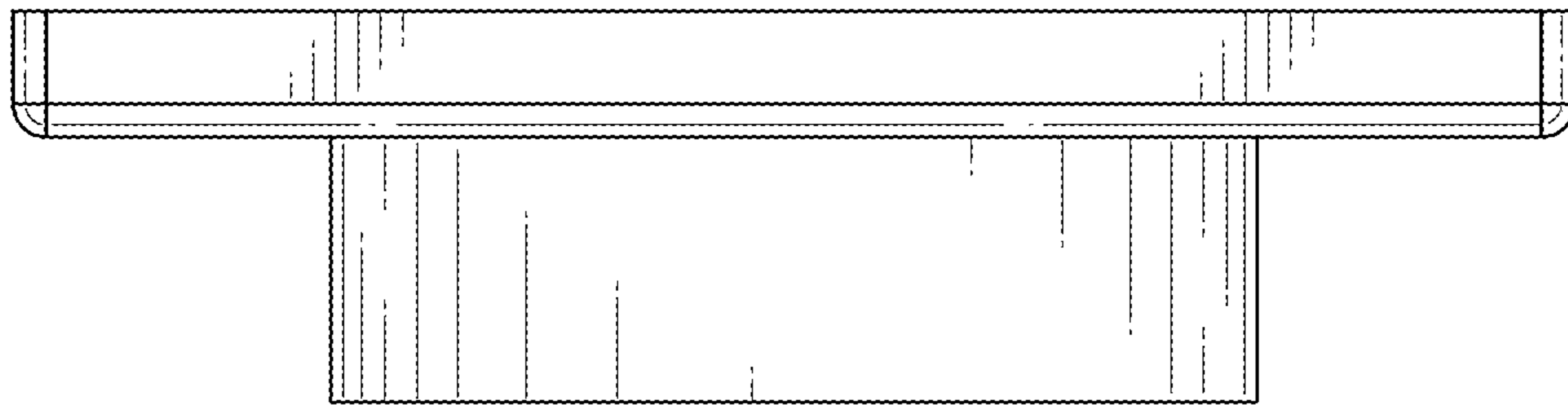


FIG. 3



FIG. 4

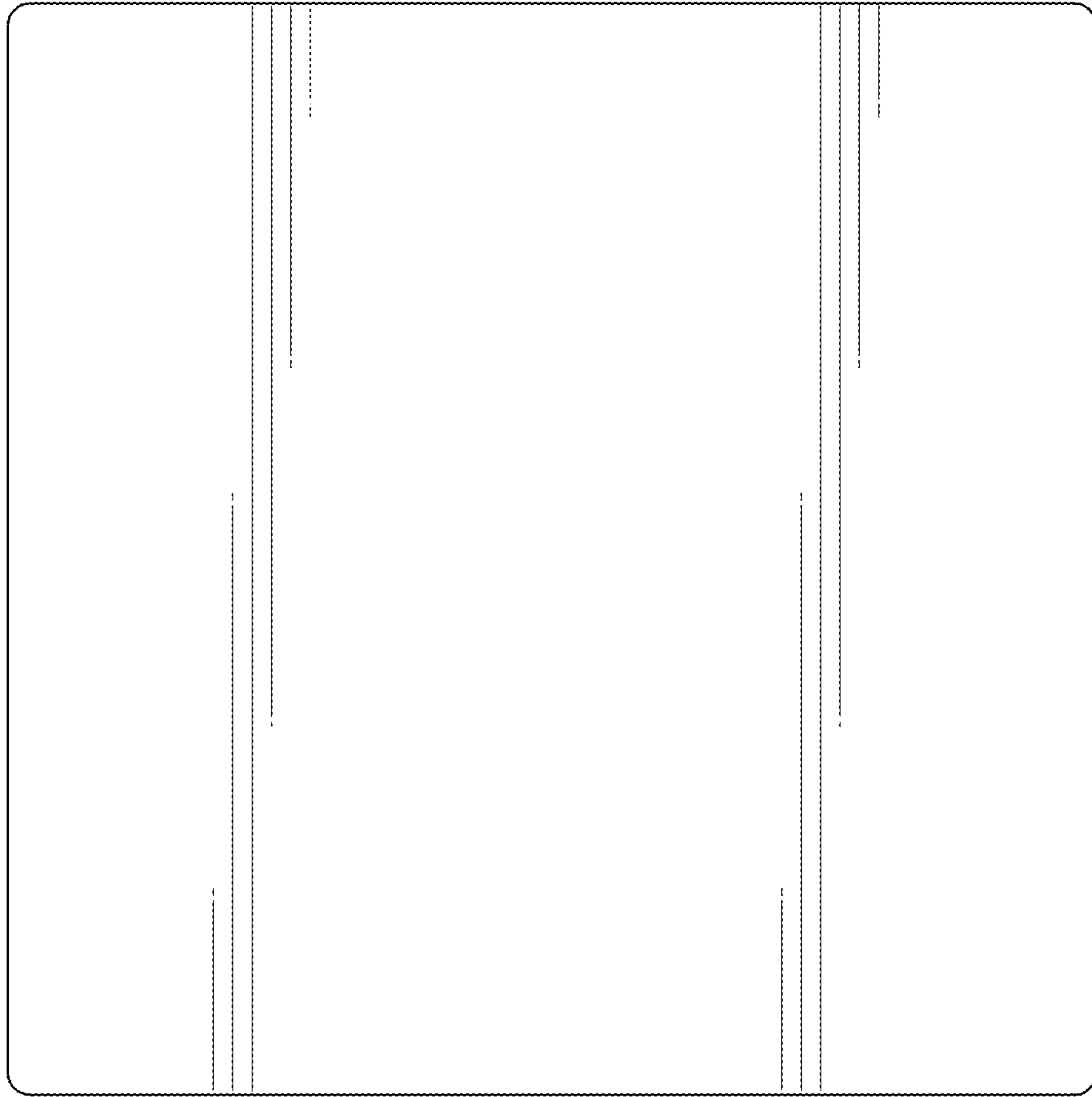


FIG. 5

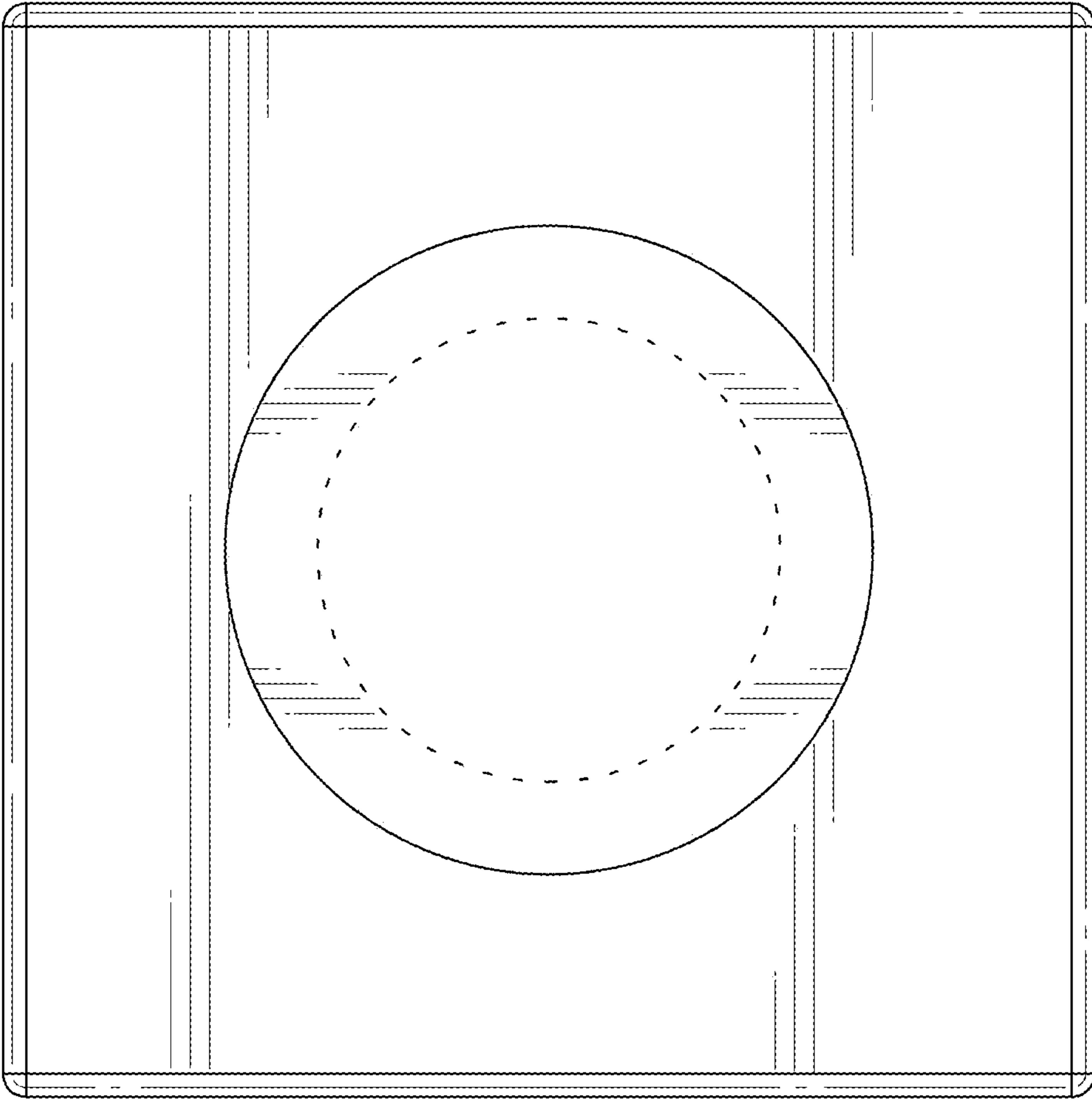


FIG. 6





FIG. 7

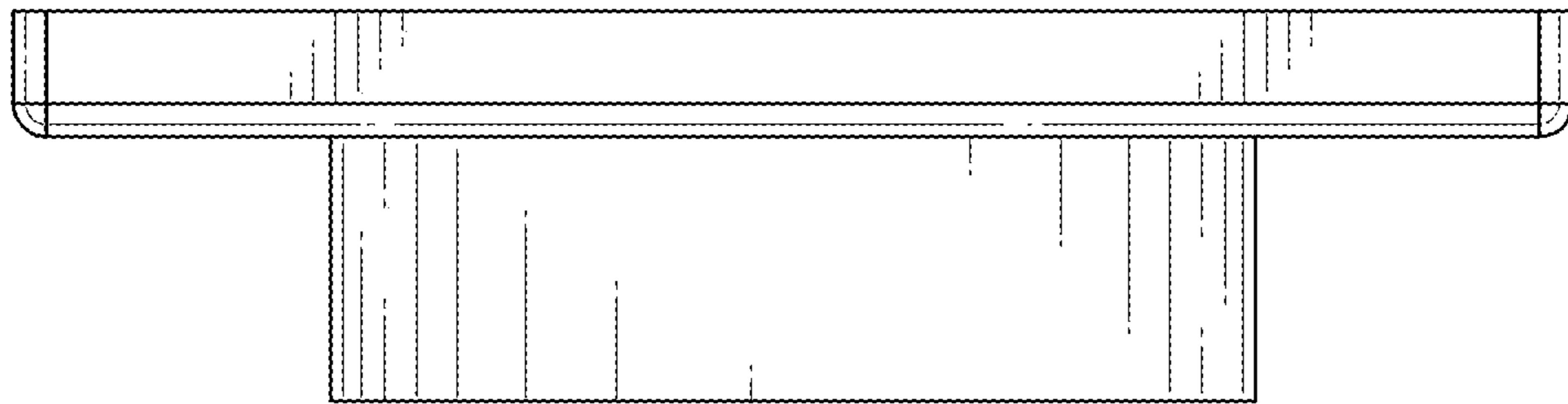


FIG. 8

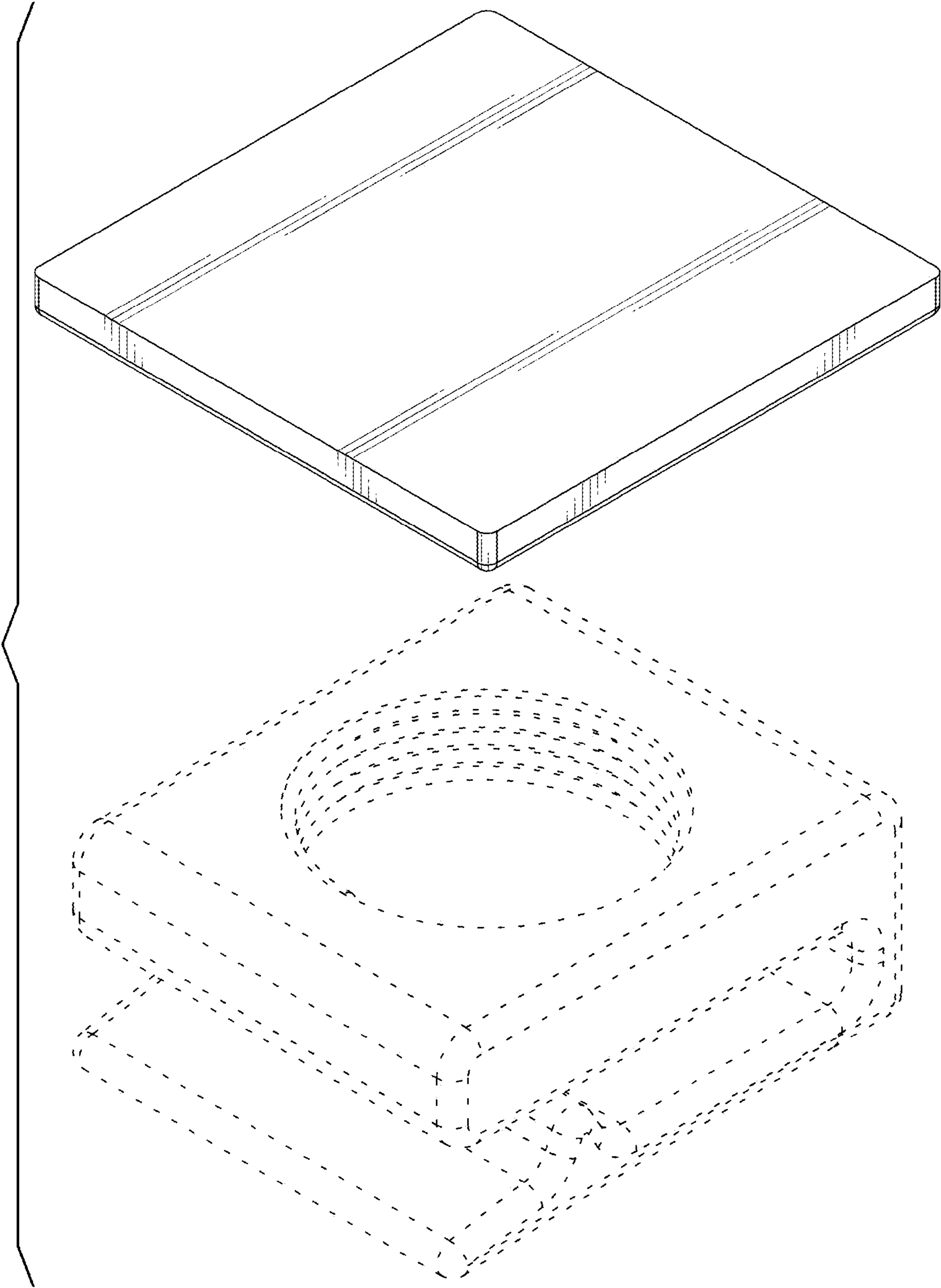


FIG. 9

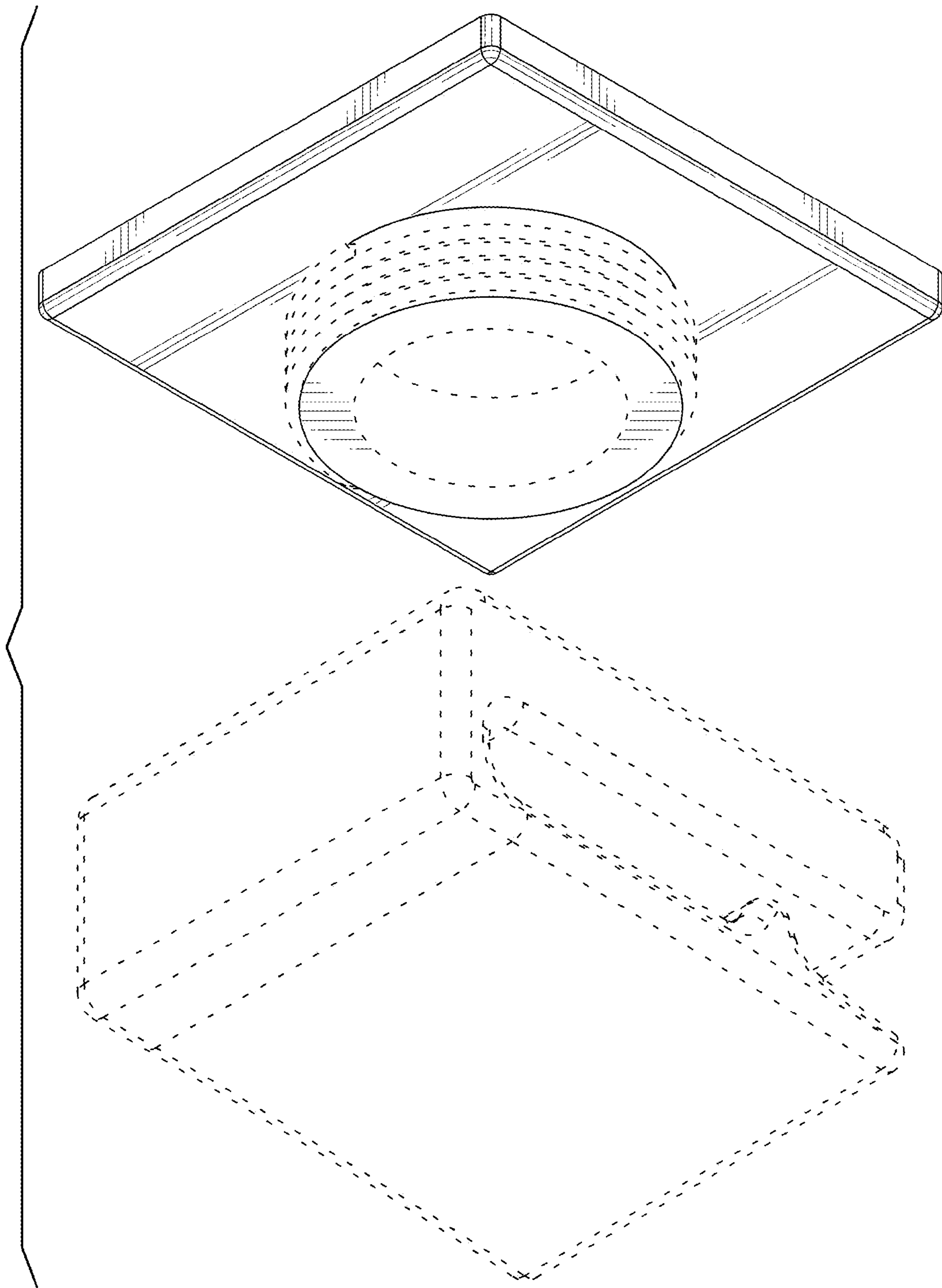


FIG. 10

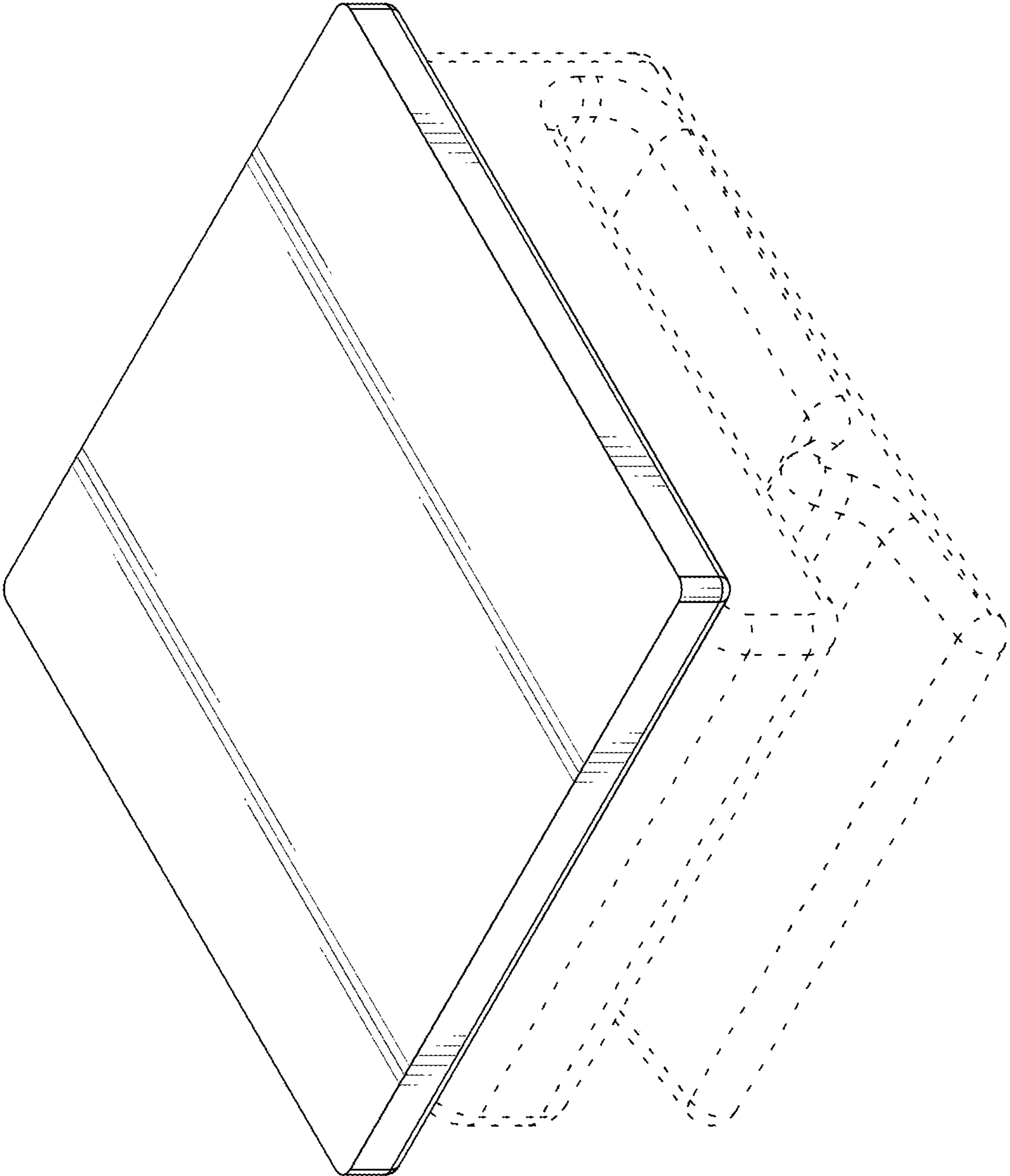


FIG. 11

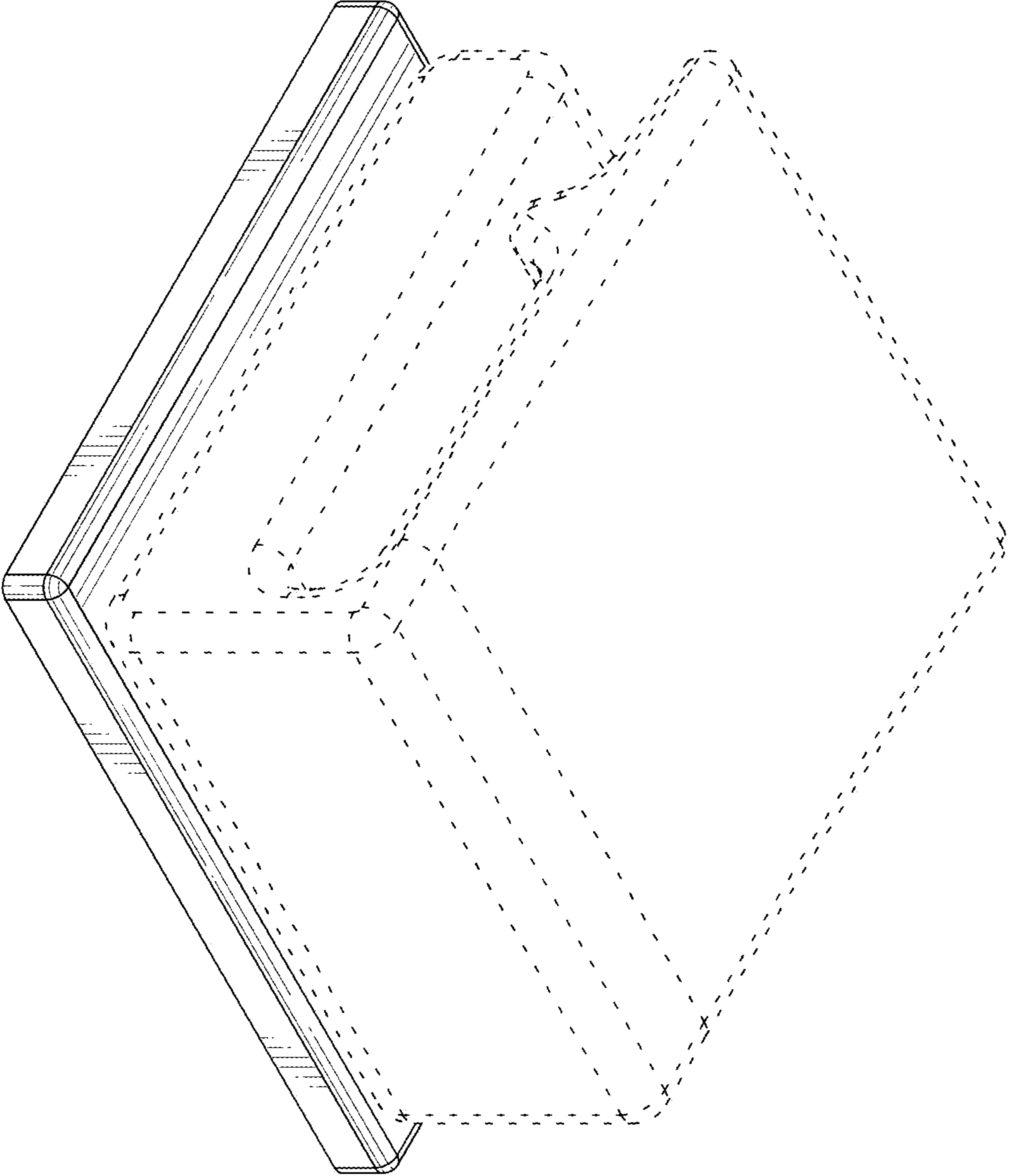


FIG. 12