



US00D965684S

(12) **United States Design Patent**  
**Li**

(10) **Patent No.:** **US D965,684 S**

(45) **Date of Patent:** **\*\* Oct. 4, 2022**

(54) **VENDING MACHINE**

(71) Applicant: **Shenzhen Nofetel Intelligent Technology Co., Ltd, Shenzhen (CN)**

(72) Inventor: **Wu Li, Shenzhen (CN)**

(\*\*) Term: **15 Years**

(21) Appl. No.: **29/779,036**

(22) Filed: **Apr. 16, 2021**

(51) **LOC (13) Cl.** ..... **20-01**

(52) **U.S. Cl.**  
USPC ..... **D20/8**

(58) **Field of Classification Search**  
USPC ..... D20/1, 2, 3, 4, 5, 6, 8, 9; D15/145;  
D14/125, 126, 129, 302, 900; D6/512,  
D6/513, 514, 515  
CPC ..... G07F 11/005; G07F 11/007; G07F 11/46;  
G07F 11/48; G07F 11/50; G07F 11/52;  
G07F 11/54; G07F 11/58; G07F 11/60;  
G07F 11/62; G07F 11/64

See application file for complete search history.

(56) **References Cited**

**U.S. PATENT DOCUMENTS**

2,236,688 A \* 4/1941 Kuhl ..... G07F 11/50  
221/121  
4,046,243 A \* 9/1977 Valentine ..... G07F 11/52  
221/76  
4,671,425 A \* 6/1987 Knoll ..... G07F 11/70  
99/357  
D397,579 S \* 9/1998 Wu Chang ..... D7/350.1  
D403,358 S \* 12/1998 Schwarzli ..... D20/8

D428,444 S \* 7/2000 McGarrah ..... D20/8  
D437,890 S \* 2/2001 McGarrah ..... D20/8  
6,308,518 B1 \* 10/2001 Hunter ..... F25B 21/02  
62/3.6  
D452,795 S \* 1/2002 Johnson ..... D7/354  
7,481,065 B2 \* 1/2009 Krieger ..... A45C 7/0031  
62/3.6  
8,019,471 B2 \* 9/2011 Bogash ..... G07F 17/0092  
700/242  
D727,428 S \* 4/2015 Sagady ..... D20/8  
9,435,578 B2 \* 9/2016 Calderon ..... F25D 11/006  
D926,882 S \* 8/2021 Webb ..... D20/8  
2008/0264962 A1 \* 10/2008 Schifman ..... G07F 11/62  
221/1  
2012/0187144 A1 \* 7/2012 Weber ..... F03G 7/065  
60/527

\* cited by examiner

*Primary Examiner* — Catherine Ho

(74) *Attorney, Agent, or Firm* — Prakash Nama; Global IP Services, PLLC

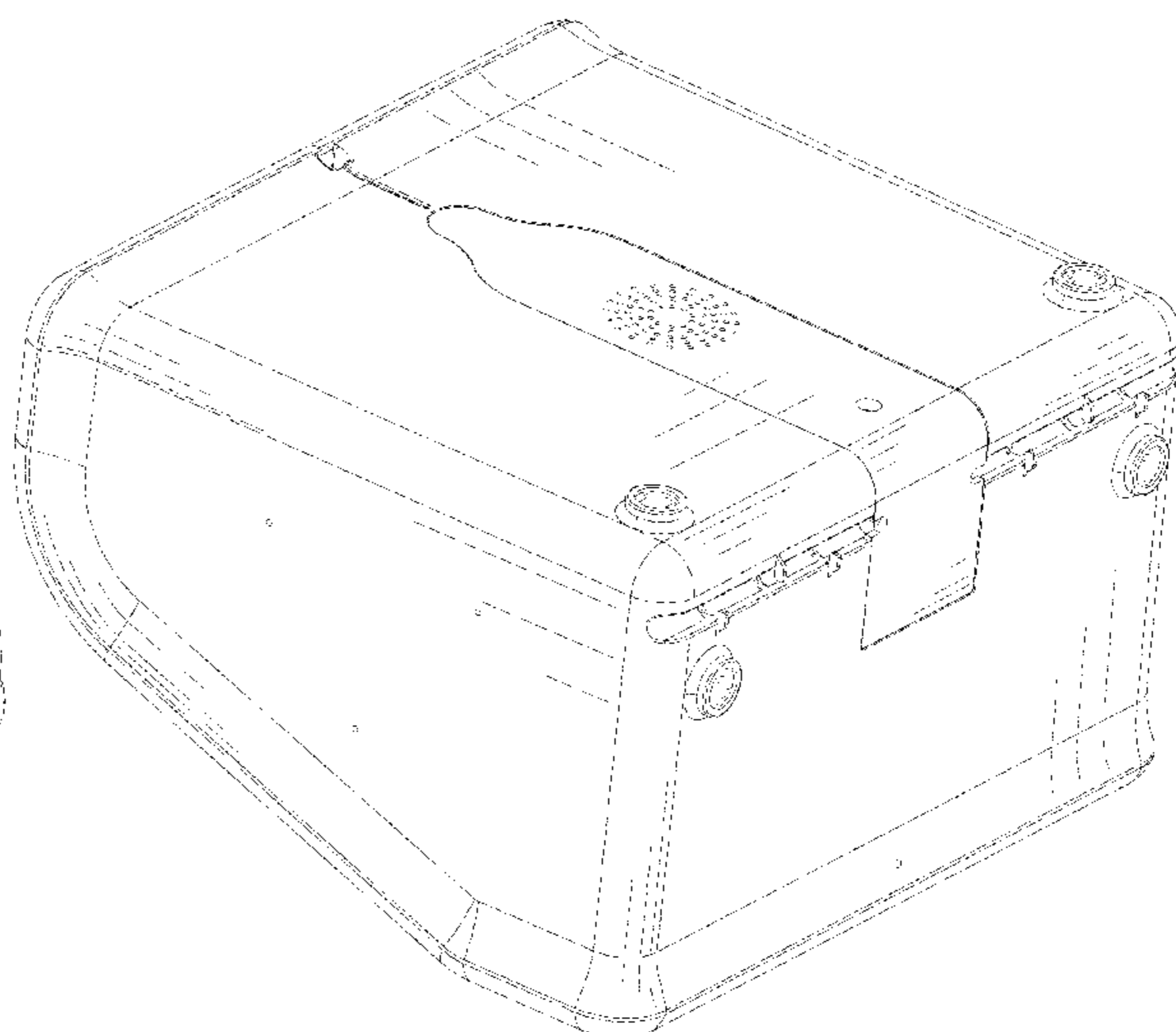
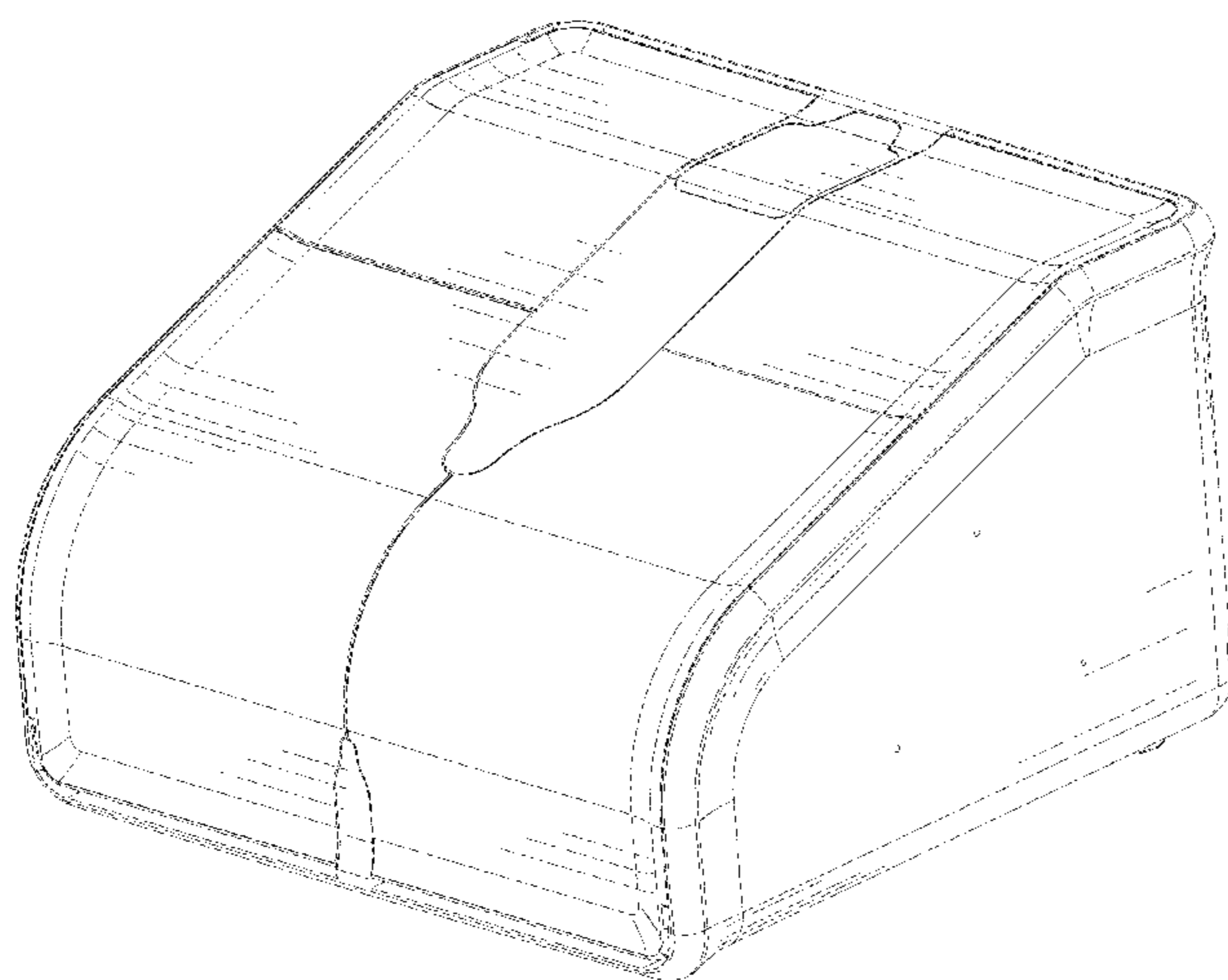
(57) **CLAIM**

The ornamental design for a vending machine, as shown.

**DESCRIPTION**

FIG. 1 is a front elevational view of a vending machine showing my new design;  
FIG. 2 is a rear elevational view thereof;  
FIG. 3 is a top plan view thereof;  
FIG. 4 is a bottom plan view thereof;  
FIG. 5 is a right side view thereof;  
FIG. 6 is a left side view thereof;  
FIG. 7 is a top perspective view thereof; and,  
FIG. 8 is a bottom perspective view thereof.

**1 Claim, 7 Drawing Sheets**



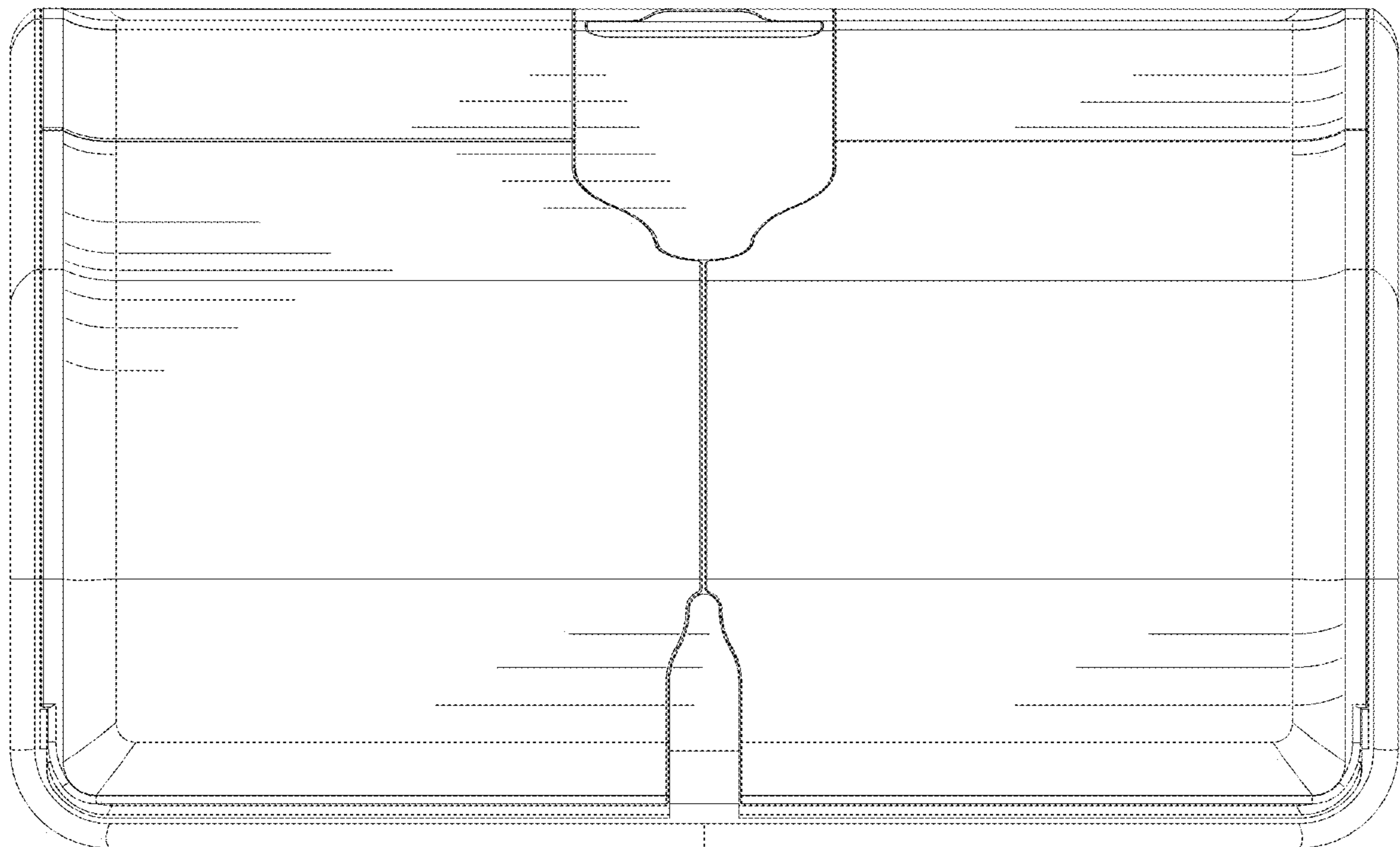


Fig. 1

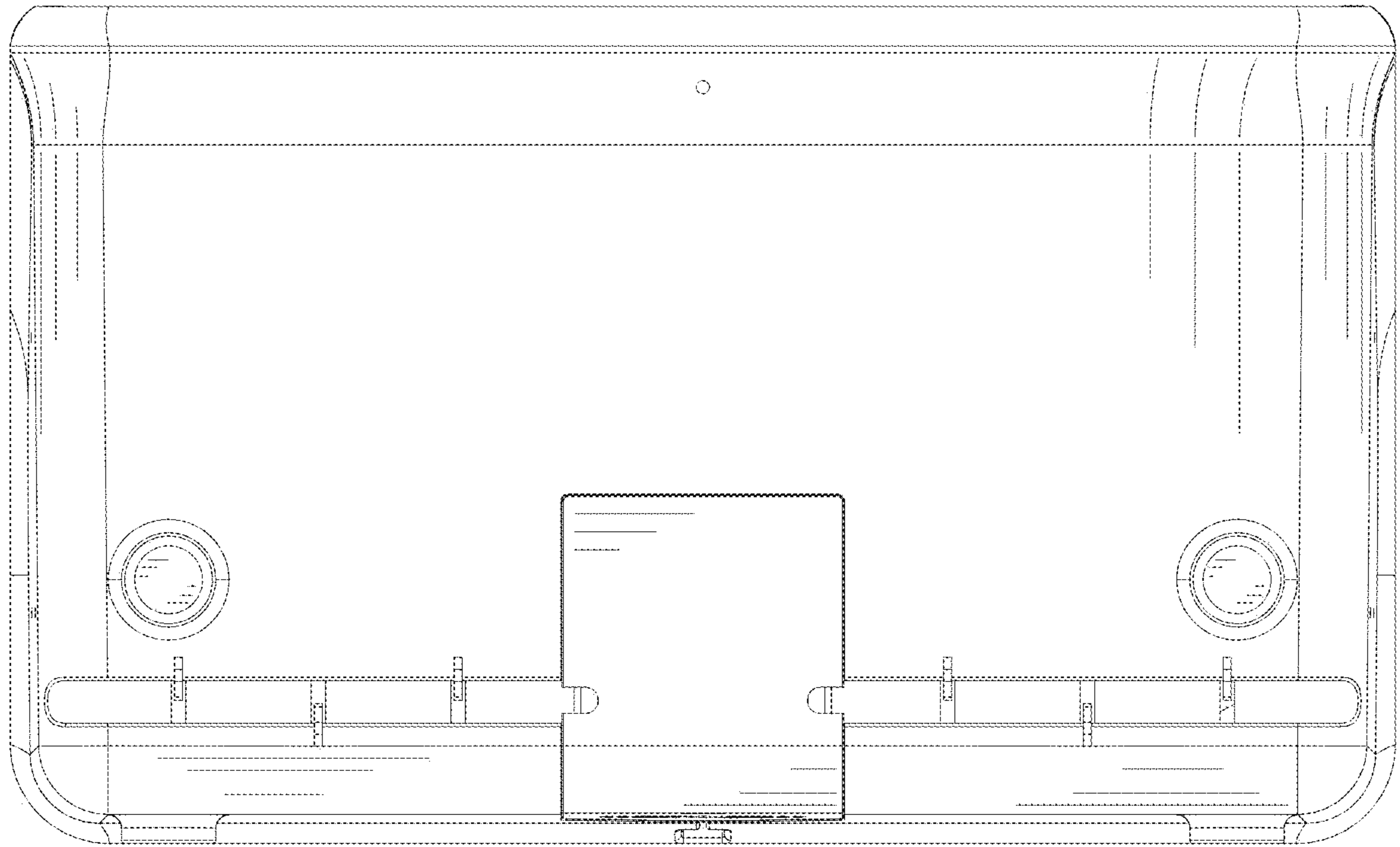


Fig. 2

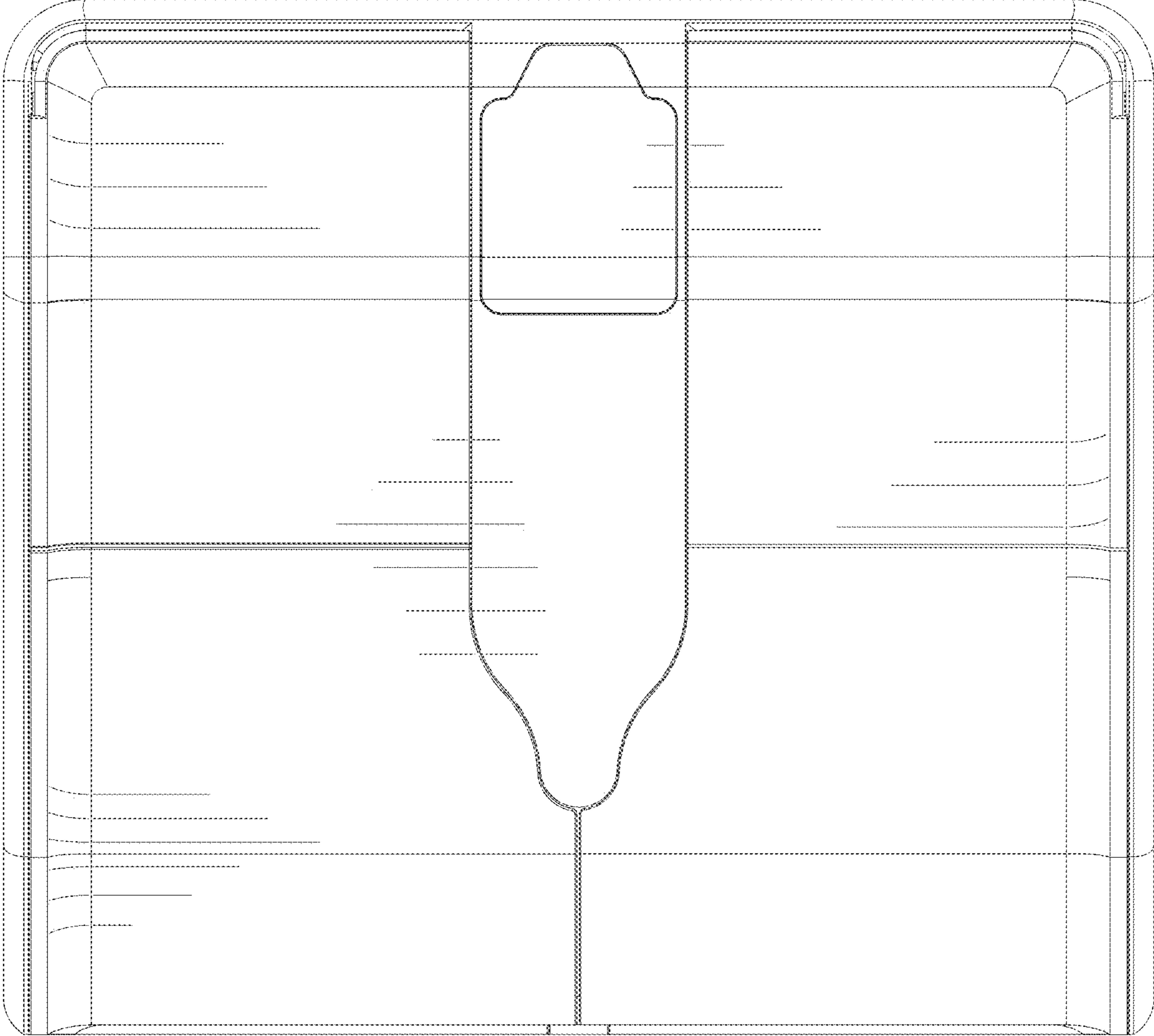


Fig. 3

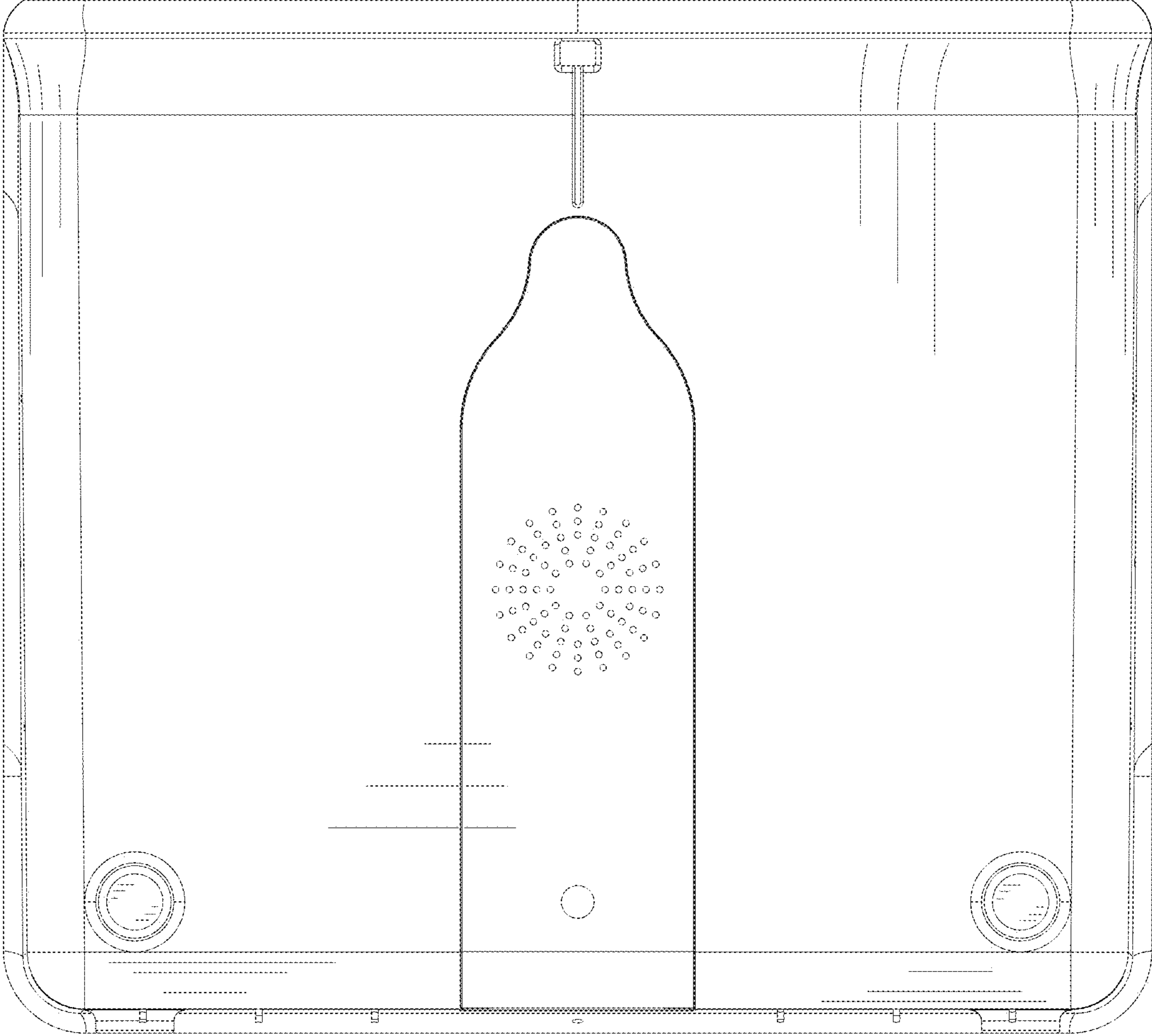


Fig. 4

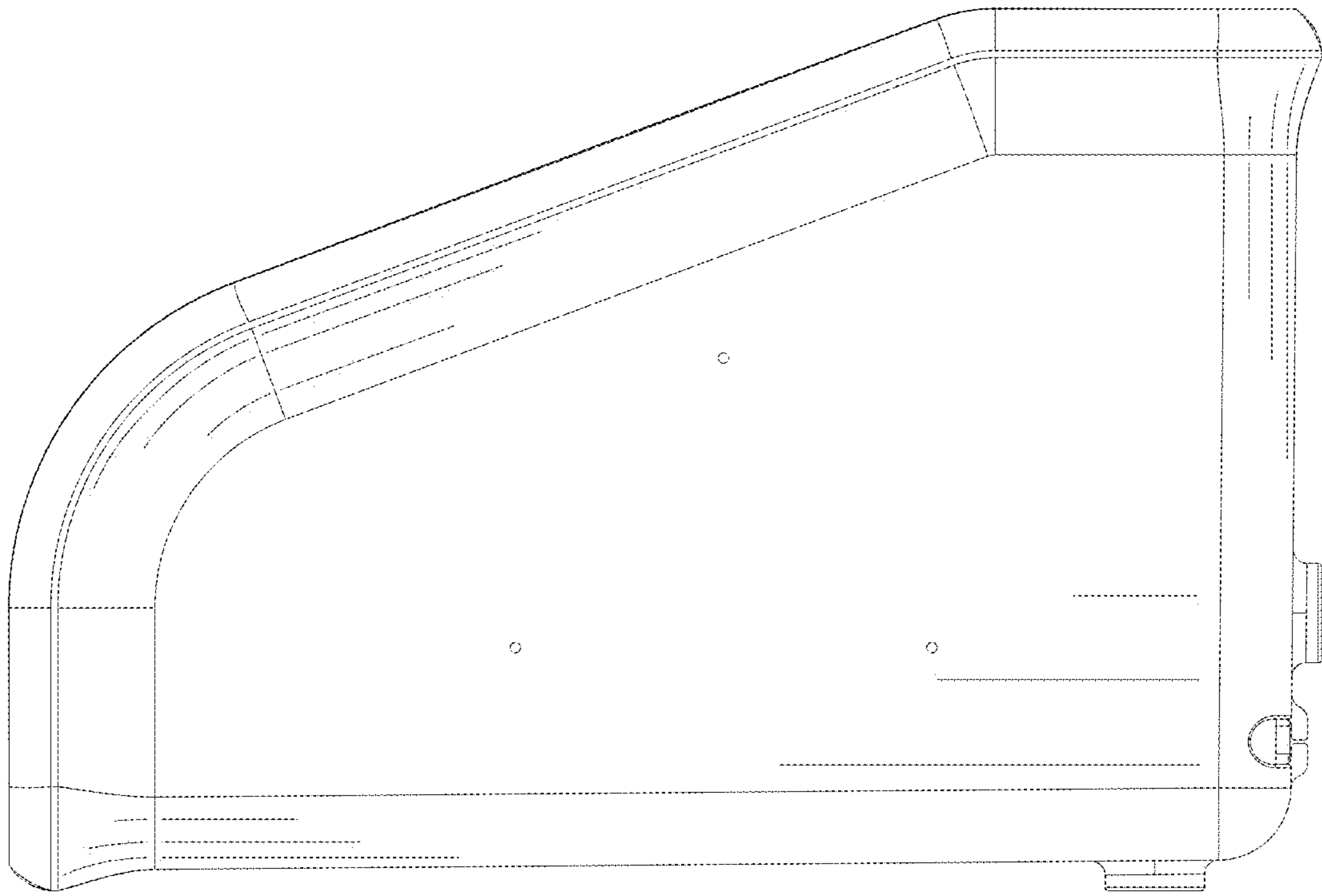


Fig. 5

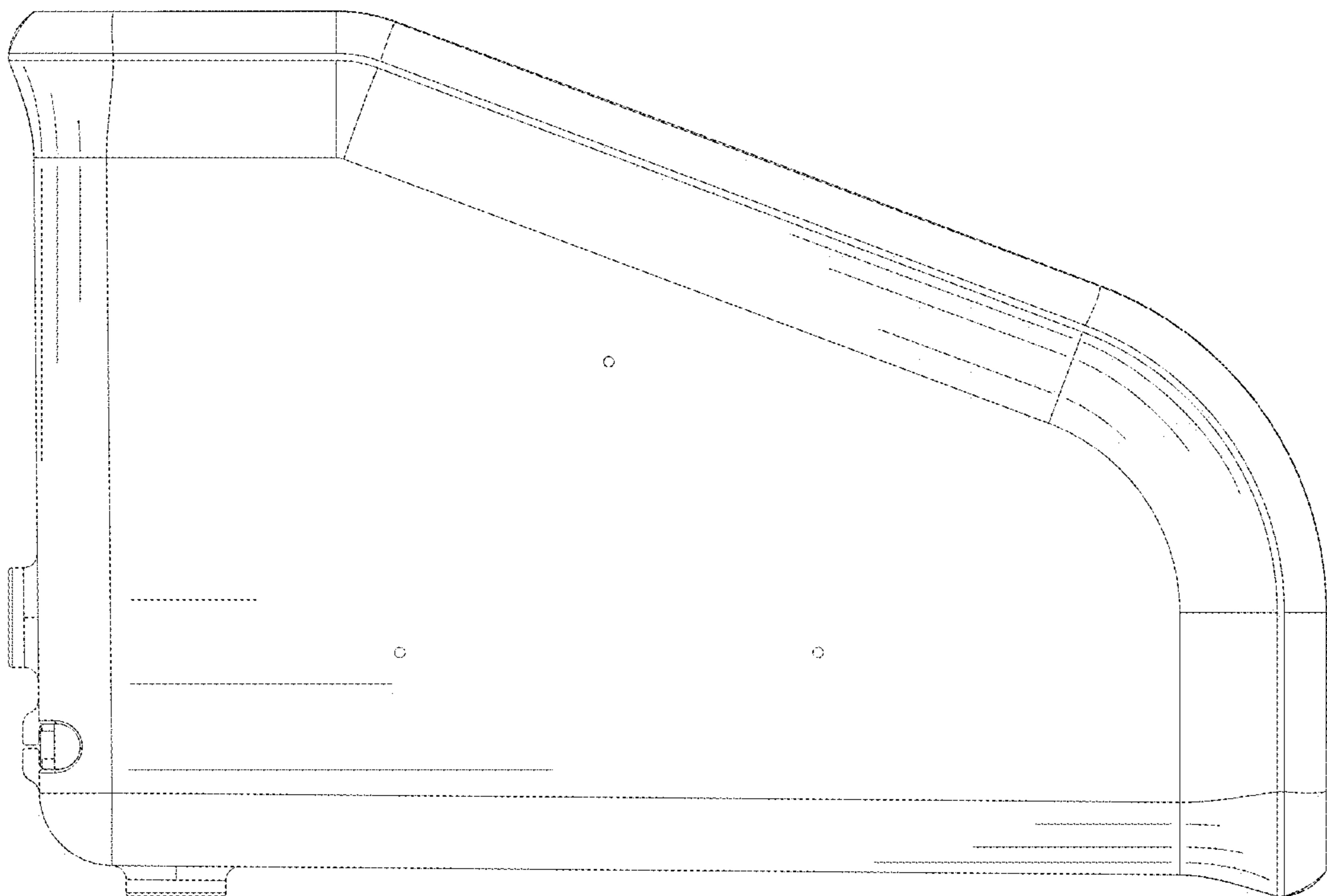


Fig. 6

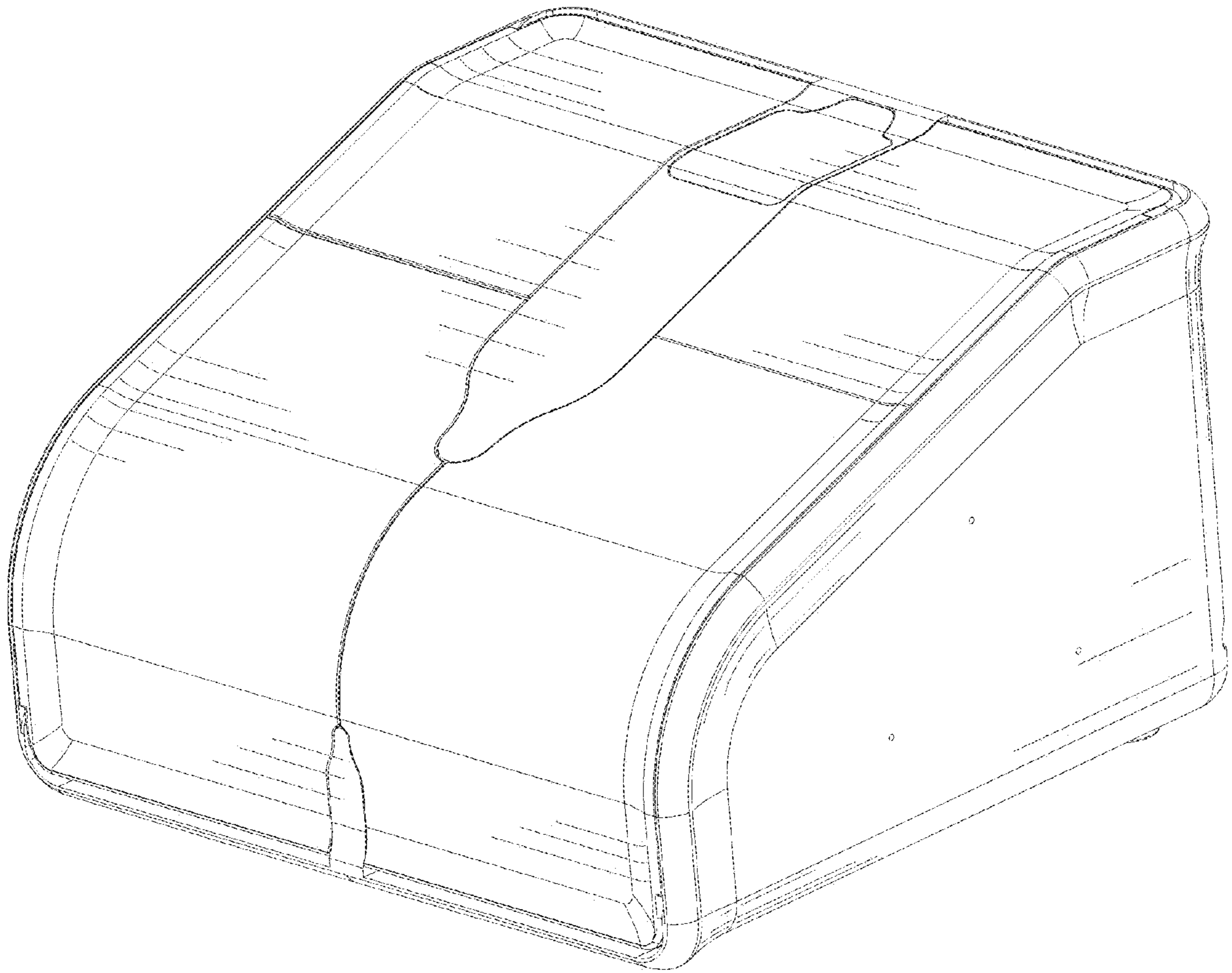


Fig. 7

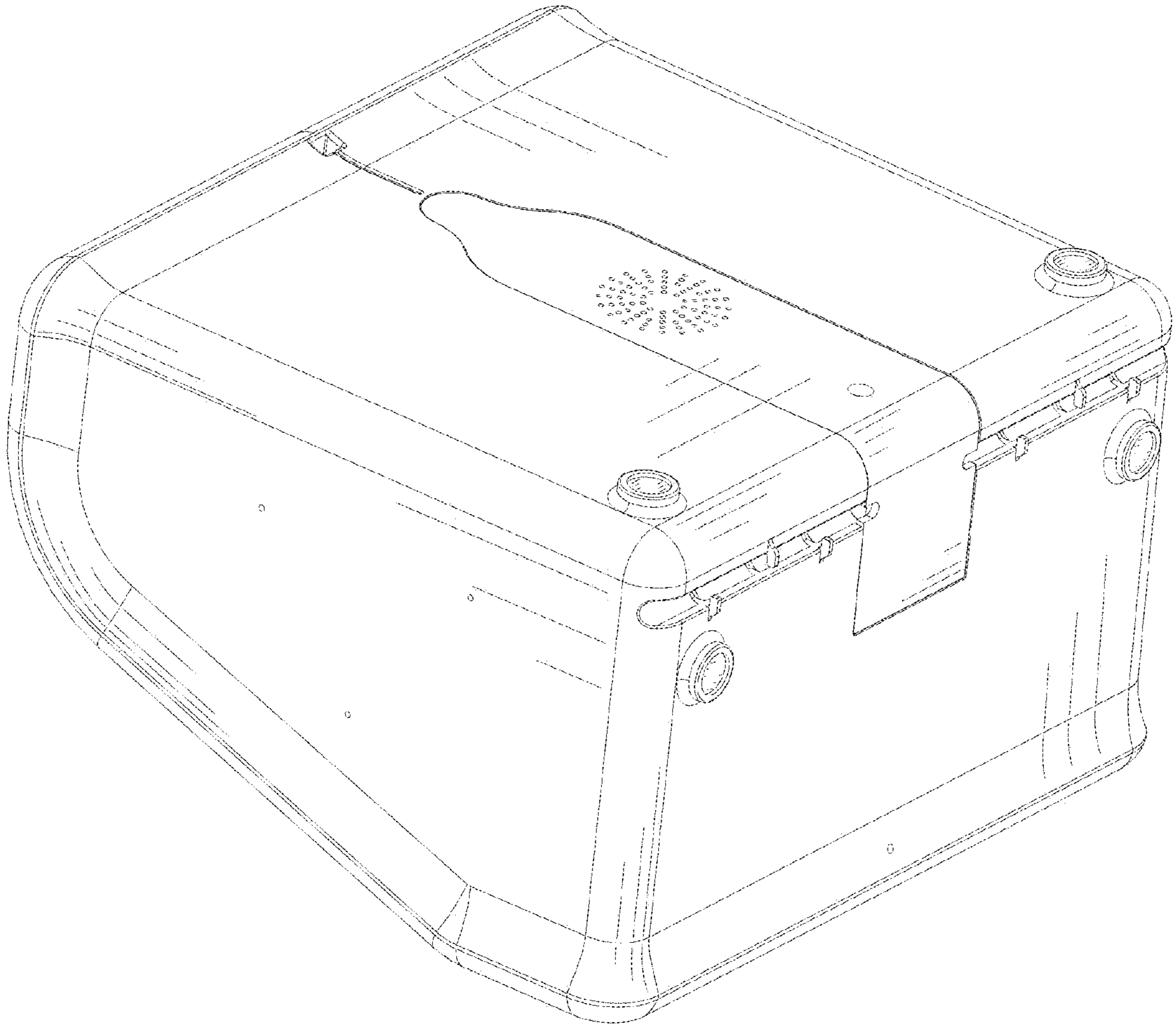


Fig. 8