



US00D965683S

(12) **United States Design Patent** (10) **Patent No.:** **US D965,683 S**
Hamamatsu (45) **Date of Patent:** **** Oct. 4, 2022**

(54) **PEN**

FOREIGN PATENT DOCUMENTS

(71) Applicant: **MITSUBISHI PENCIL COMPANY, LIMITED**, Tokyo (JP)

CN 302803900 4/2014
CN 304123258 5/2017

(Continued)

(72) Inventor: **Shinya Hamamatsu**, Tokyo (JP)

OTHER PUBLICATIONS

(73) Assignee: **MITSUBISHI PENCIL COMPANY, LIMITED**, Tokyo (JP)

Uni Jetstream Edge ,Unsharpen.com,date published Jan. 2, 2019,date retrieved from internet 3-21-22-29767230-https://unsharpen.com/pen/uni-jetstream-edge/ (Year: 2019).*

(**) Term: **15 Years**

Primary Examiner — Jennifer L Rempfer

Assistant Examiner — Danielle Nichole Bowly

(21) Appl. No.: **29/767,230**

(74) *Attorney, Agent, or Firm* — Andrew F. Young, Esq.;
Nolte Lackenbach Siegel

(22) Filed: **Jan. 21, 2021**

(30) **Foreign Application Priority Data**

(57) **CLAIM**

Jul. 22, 2020 (JP) 2020-015394

The ornamental design for a pen, as shown and described.

(51) **LOC (13) Cl.** **19-06**

DESCRIPTION

(52) **U.S. Cl.**

USPC **D19/173**

(58) **Field of Classification Search**

USPC D19/115-185; D14/431

CPC G06F 3/0383; G06F 3/03545

See application file for complete search history.

FIG. 1 is a first perspective view of a pen showing my new design;

FIG. 2 is a second perspective view thereof;

FIG. 3 is a front elevational view thereof;

FIG. 4 is a right side elevational view thereof; the left side elevational view is a mirror image of the right side elevational view;

FIG. 5 is a rear elevational view thereof;

FIG. 6 is a top plan view thereof;

FIG. 7 is a bottom plan view thereof; and

FIG. 8 is an enlarged cross-sectional view thereof taken along line 8-8 in FIG. 4.

FIG. 9 is an enlarged partial illustration view taken from FIG. 2; and,

FIG. 10 is an enlarged partial illustration view taken from FIG. 2.

The dash-dot-dot-dash lines in the figures represent the bounds of the detailed views.

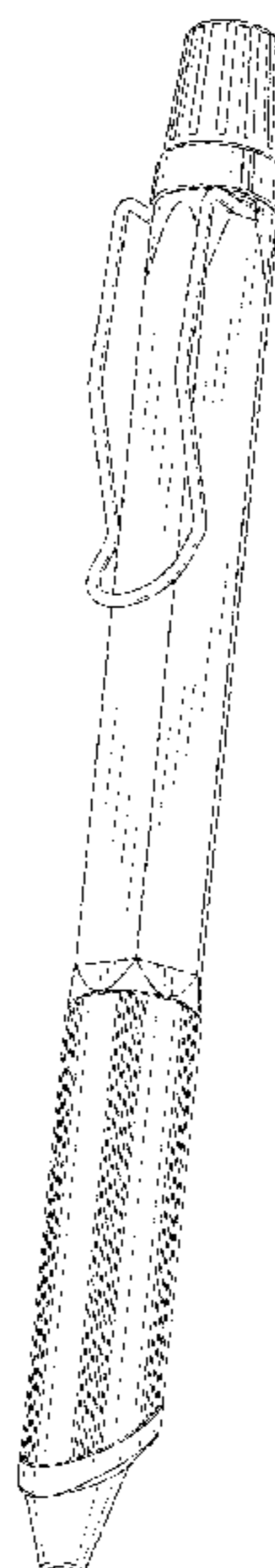
(56) **References Cited**

U.S. PATENT DOCUMENTS

D251,123 S *	2/1979	Horntrich	D19/164
D286,164 S *	10/1986	Tinz	D19/916
D328,918 S *	8/1992	Buda	D19/906
D418,871 S *	1/2000	Keda	D19/171
D431,598 S	10/2000	Kim et al.		
D446,242 S *	8/2001	Stukenkemper	D19/934
D498,791 S *	11/2004	Morrow	D19/197
D499,142 S *	11/2004	Morrow	D19/906
D507,599 S	7/2005	Qiu		
D587,752 S	3/2009	Shimizu		
D596,234 S *	7/2009	Giroud	D19/197

(Continued)

1 Claim, 7 Drawing Sheets



(56)

References Cited

U.S. PATENT DOCUMENTS

D601,198	S	*	9/2009	Kouda	D19/171
D609,744	S	*	2/2010	Rathod	D19/912
D626,176	S	*	10/2010	Rommel	D19/910
D646,719	S	*	10/2011	Kim	D19/169
D652,081	S	*	1/2012	Chu	D19/163
D708,617	S	*	7/2014	Nakata	D14/411
D888,058	S	*	6/2020	Ding	D14/411
D892,800	S	*	8/2020	Xu	D14/411
D936,143	S	*	11/2021	Hamamatsu	D19/196
D936,144	S	*	11/2021	Nishida	D19/196
D936,739	S	*	11/2021	Hamamatsu	D19/171

FOREIGN PATENT DOCUMENTS

CN	304195027	7/2017
JP	D1288325	12/2006
JP	D1329230	5/2008
JP	D1338376	8/2008
JP	D1342066	10/2008
JP	D1342436	10/2008
JP	D1362632	6/2009
JP	D1369988	9/2009
JP	D1383906	3/2010
JP	D1415323	6/2011
JP	D1442552	6/2012
JP	D1473570	12/2013
JP	D1487958	1/2014
JP	D1551235	6/2016
JP	D1659748	5/2020
JP	D1659749	5/2020
JP	D1659750	5/2020
JP	D1659765	5/2020
JP	2020-015394	7/2020
JP	D1674323	12/2020
JP	D1674327	12/2020

* cited by examiner

FIG. 1

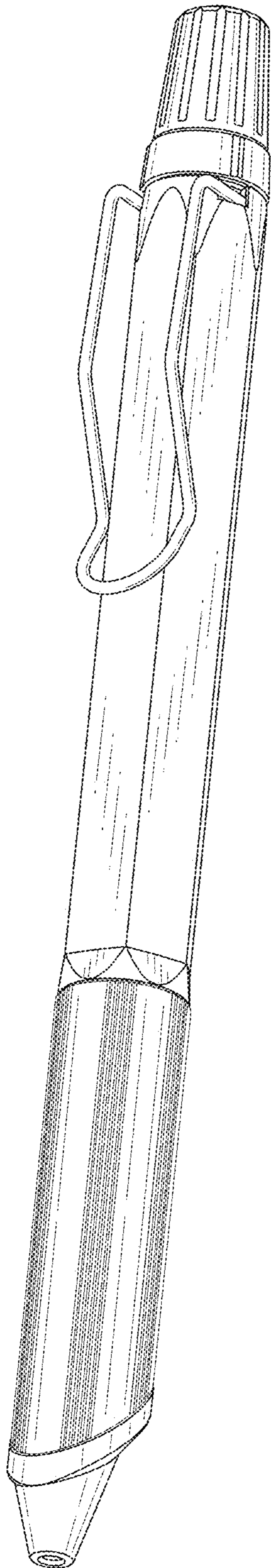


FIG. 2

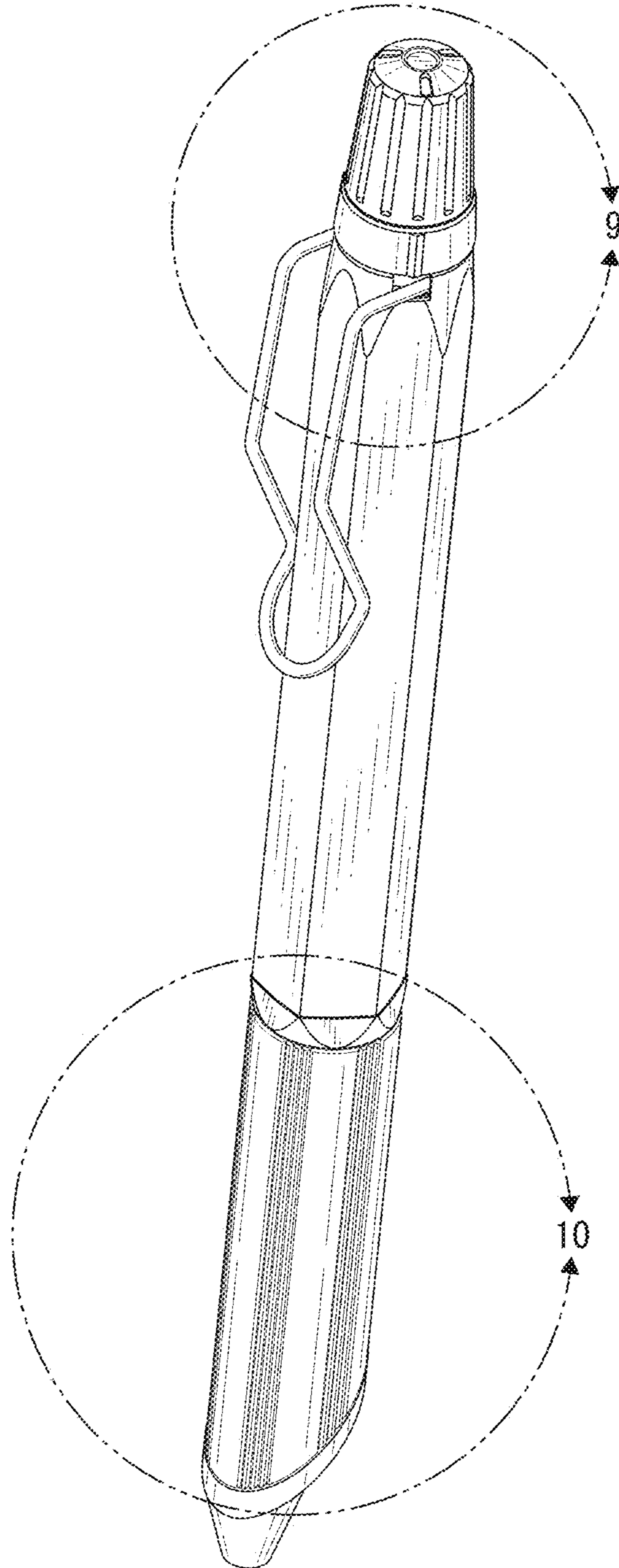


FIG. 3

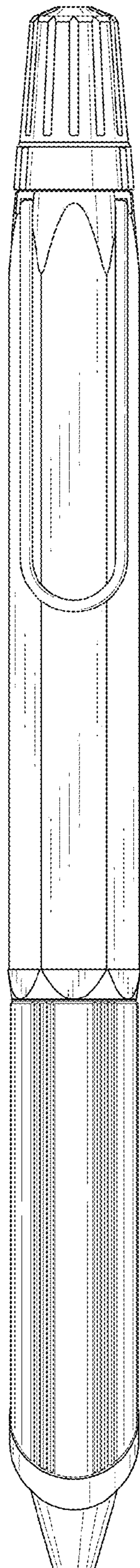


FIG. 4

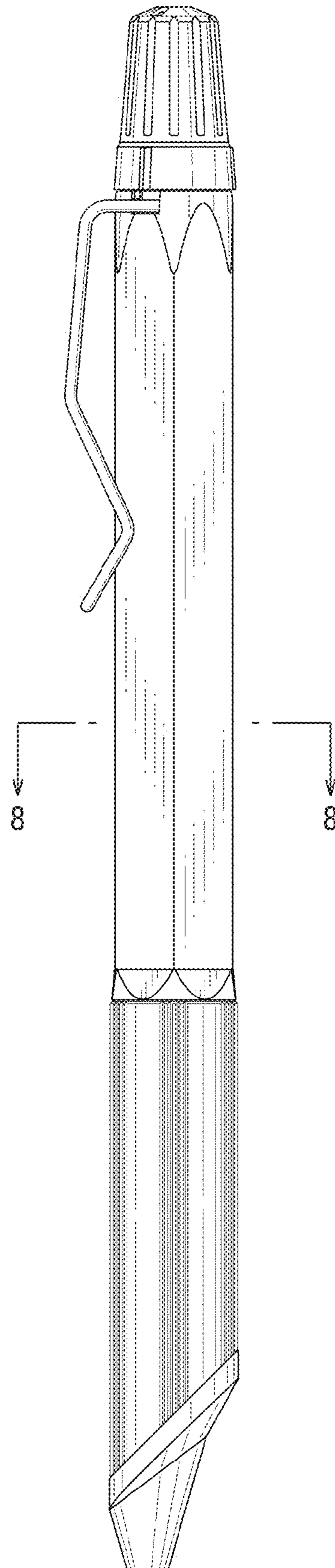


FIG. 5

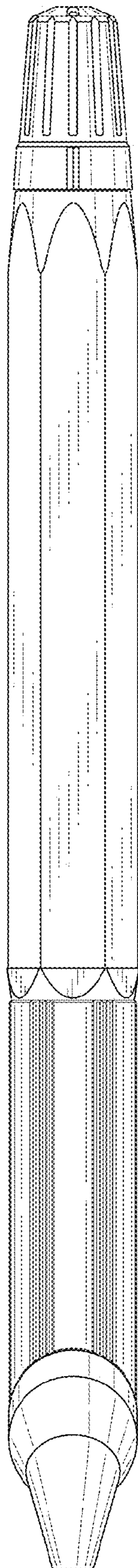


FIG. 6

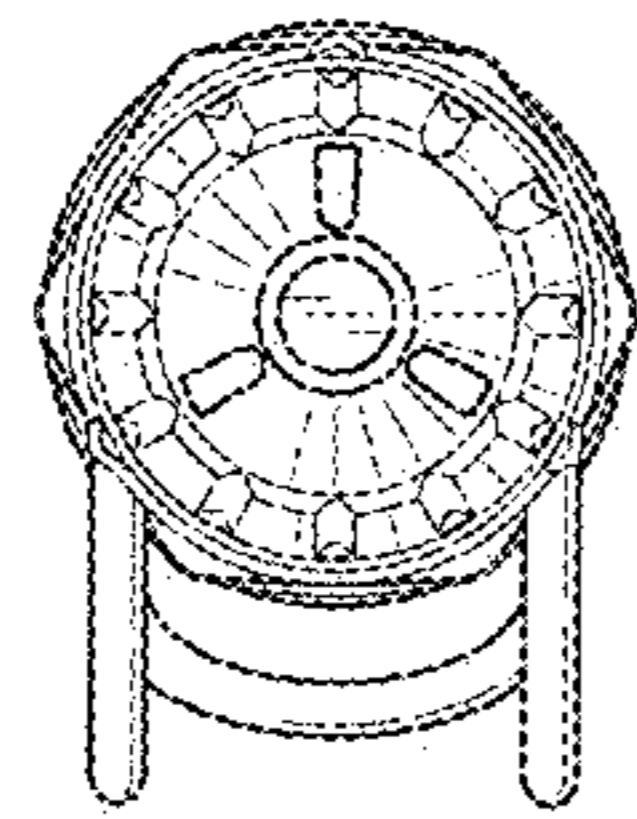


FIG. 7

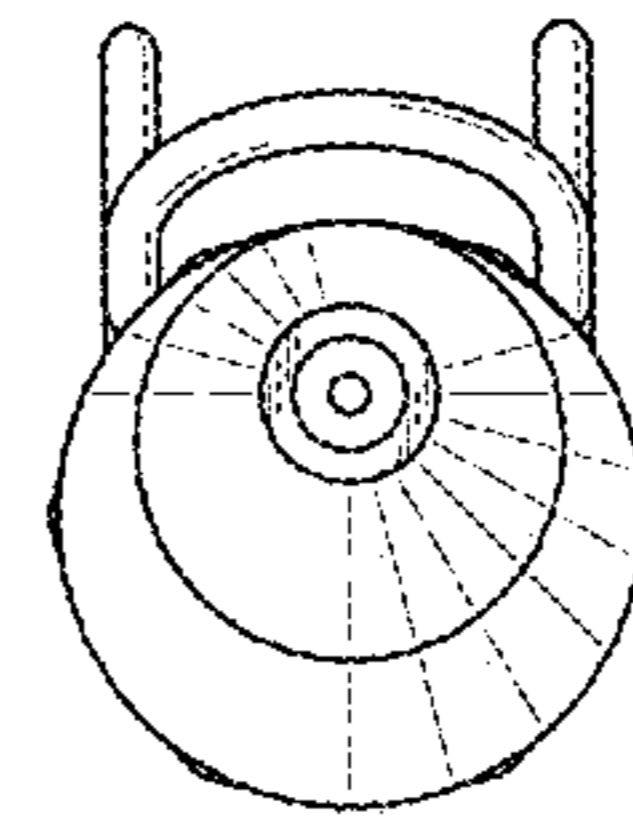


FIG. 8

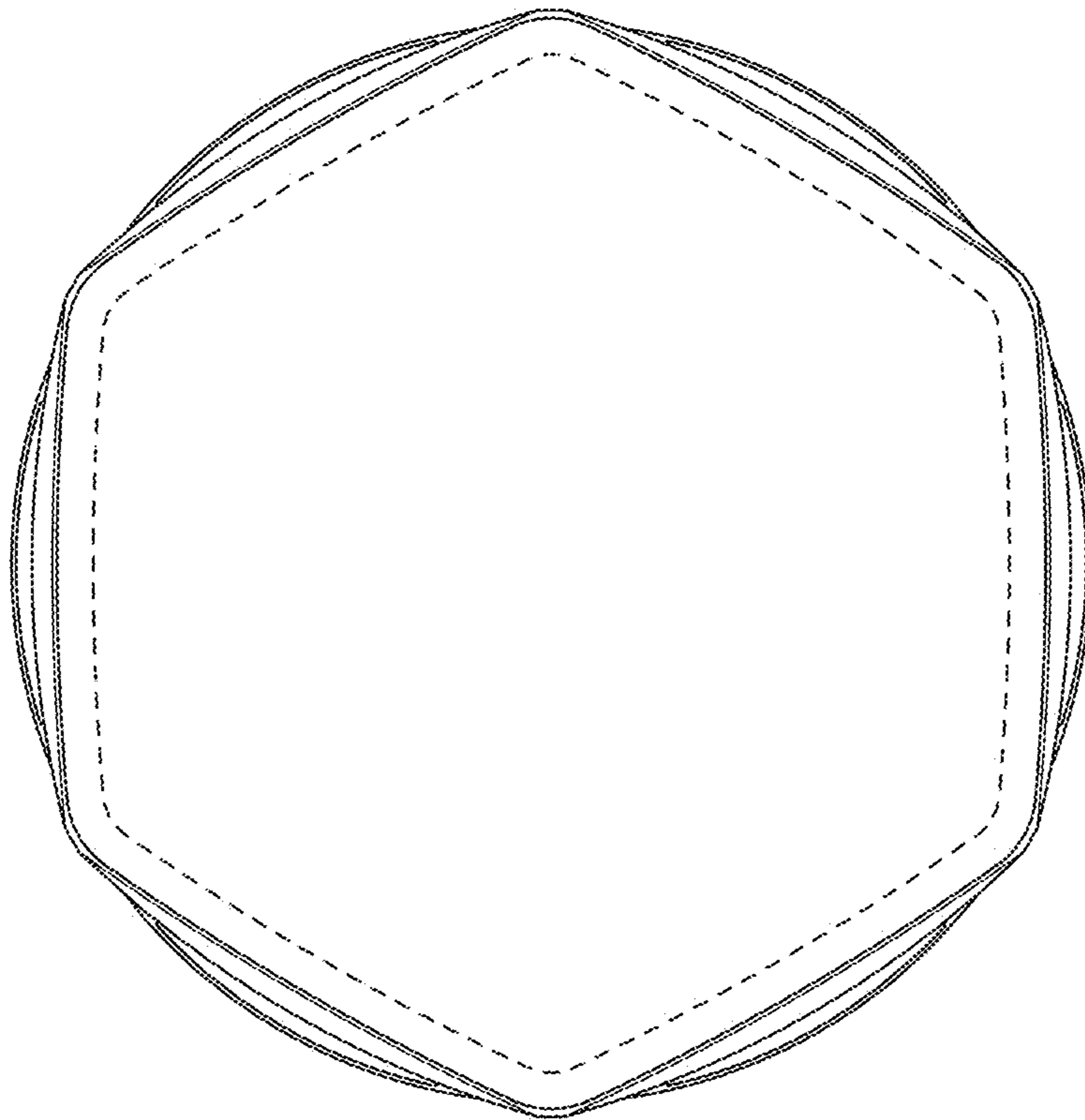


FIG. 9

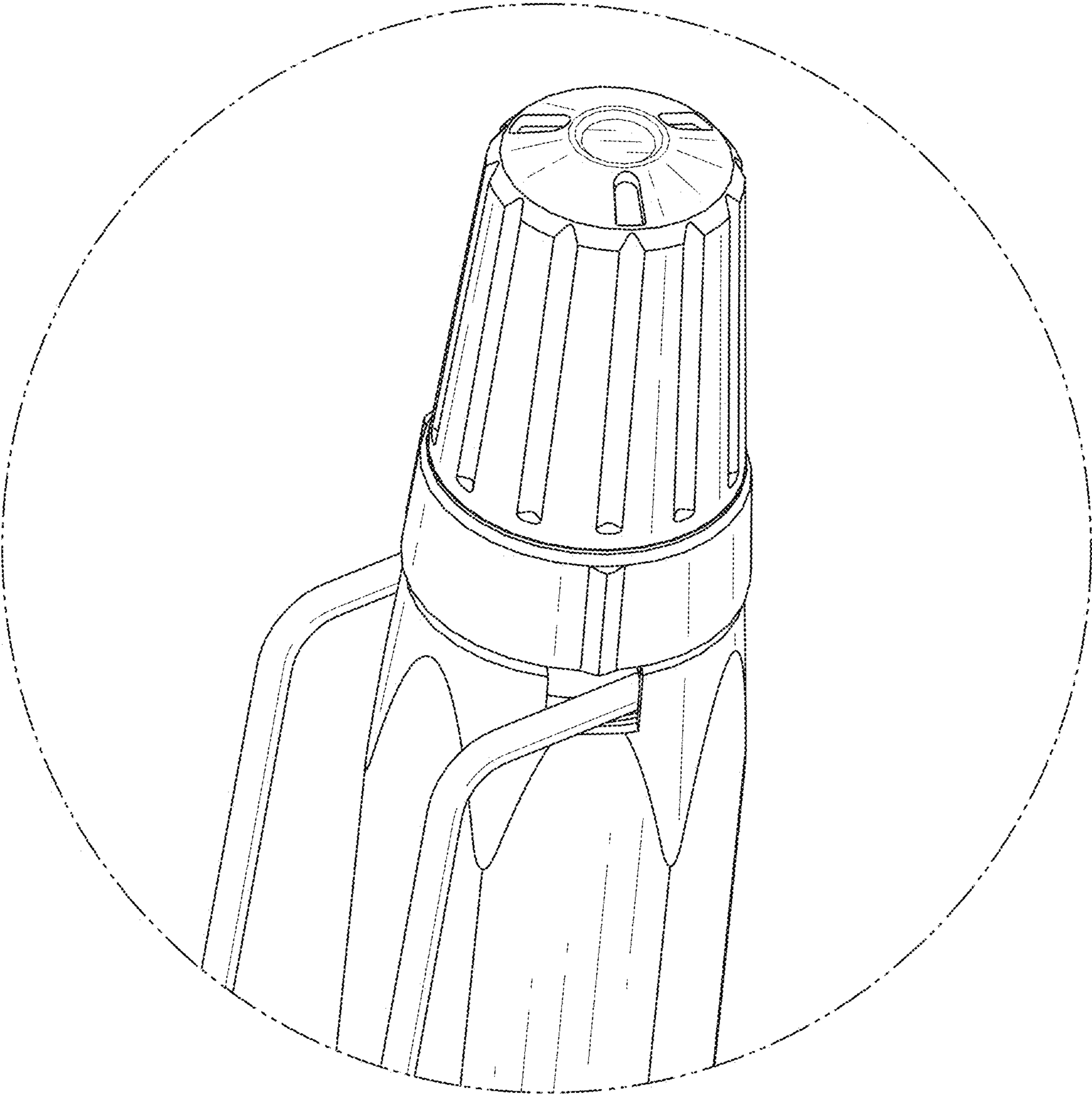


FIG. 10

