



US00D965682S

(12) **United States Design Patent** (10) **Patent No.:** **US D965,682 S**
Kim (45) **Date of Patent:** **** Oct. 4, 2022**

(54) **FILE ORGANIZER**
(71) Applicant: **Chris Kim**, Auburn, AL (US)
(72) Inventor: **Chris Kim**, Auburn, AL (US)
(73) Assignee: **Chris Kim**, Auburn, AL (US)
(**) Term: **15 Years**
(21) Appl. No.: **29/739,623**
(22) Filed: **Jun. 27, 2020**
(51) **LOC (13) Cl.** **19-02**
(52) **U.S. Cl.**
USPC **D19/90**
(58) **Field of Classification Search**
USPC D19/105, 107, 75, 77, 78, 81, 84, 85, 86,
D19/90, 91, 92; D3/304, 306, 307, 308,
D3/313, 314; D6/574, 675, 675.1, 675.2,
D6/683, 683.1; D7/704
CPC B42F 17/02; A47B 47/04; A47B 63/00;
B43M 99/00; B43M 99/001; B43M
99/008; B43M 99/009
See application file for complete search history.

(56) **References Cited**

U.S. PATENT DOCUMENTS

508,394 A * 11/1893 Andrews B42F 17/02
229/72
2,096,768 A * 10/1937 Styll A45C 3/02
190/18 R
2,151,469 A * 3/1939 Hochtheil B42F 7/08
229/72
2,519,405 A * 8/1950 Schwinger B42F 7/00
229/72
3,330,388 A * 7/1967 Stein A45C 13/04
190/110
4,790,474 A * 12/1988 Mitsuyama A45C 11/24
281/31
5,064,069 A * 11/1991 Su B42F 7/08
190/900
5,271,502 A * 12/1993 Chang B42F 7/08
229/72
5,593,086 A * 1/1997 Ho B42F 7/08
229/67.3

(Continued)

FOREIGN PATENT DOCUMENTS

CN 304913426 * 11/2018

OTHER PUBLICATIONS

Amazon. Link: https://www.amazon.com/Uquelic-Pockets-Expanding-File-Folder/dp/B08HV7GQSM/ref=sr_1_1?crid=DWMRNT612154&keywords=B08HV7GQSM&qid=1657888400&s=office-products&sprefix=b08hv7gqsm%2Coffice-products%2C82&sr=1-1. Sep. 12, 2020. Uquelic 26 Pockets Expanding File Folder. (Year: 2020).*

(Continued)

Primary Examiner — Lauren D McVey

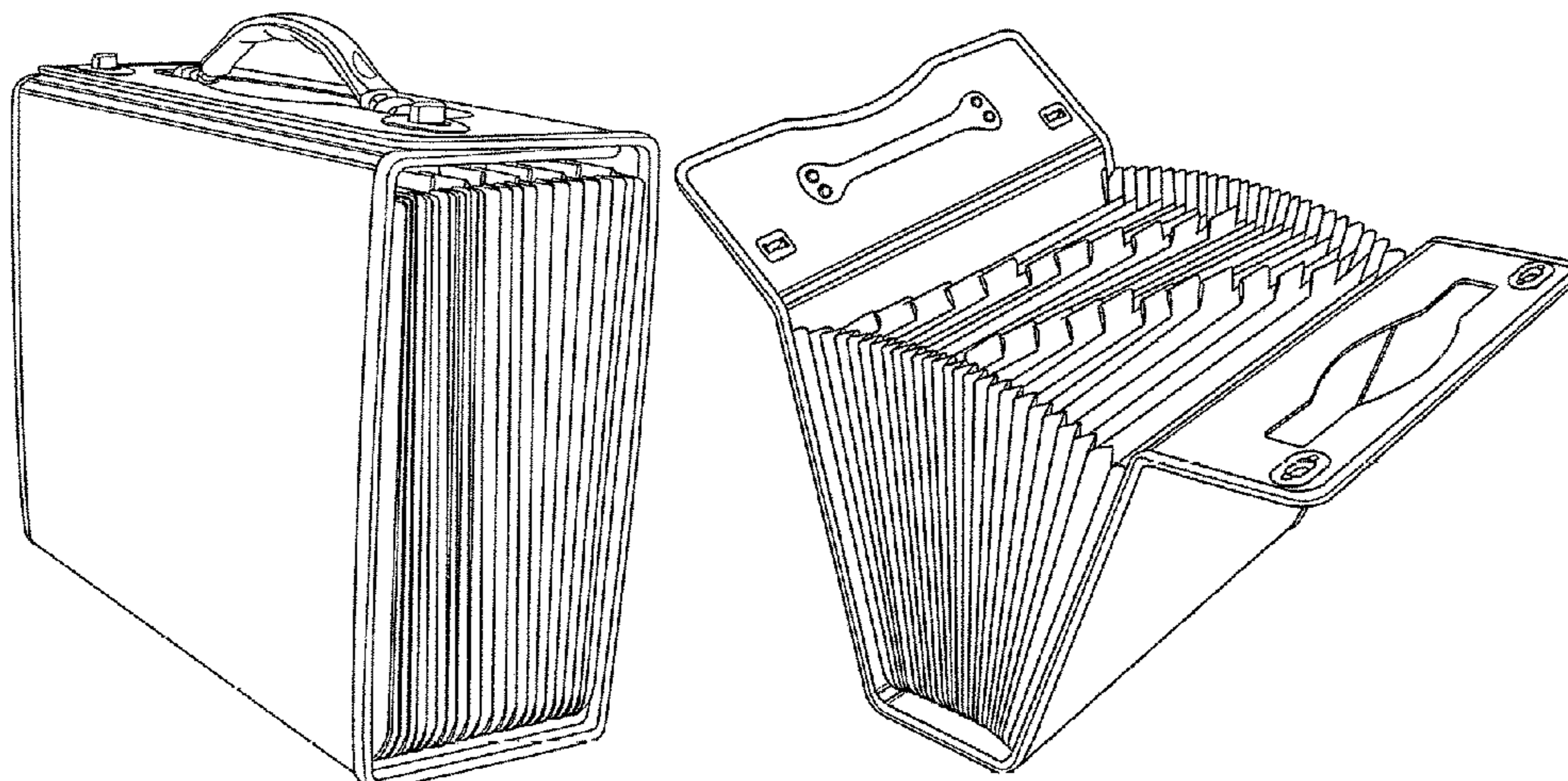
(57) **CLAIM**

The ornamental design for a file organizer, as shown and described.

DESCRIPTION

FIG. 1 is a perspective view of a file organizer showing my new design;
FIG. 2 is a side elevation view thereof;
FIG. 3 is a partially opened side perspective view thereof;
FIG. 4 is another partially opened side perspective view thereof;
FIG. 5 is a third partially opened side perspective view thereof;
FIG. 6 is a fourth partially opened side perspective view thereof;
FIG. 7 is a completely opened side perspective view thereof;
FIG. 8 is another side perspective view thereof in a closed state;
FIG. 9 is a front elevation view thereof; and,
FIG. 10 is a top elevation view thereof.

1 Claim, 10 Drawing Sheets



(56)

References Cited

U.S. PATENT DOCUMENTS

5,630,509 A * 5/1997 Su B42F 7/08
 229/67.3
 5,954,170 A * 9/1999 Chisholm A45C 13/02
 190/902
 D456,135 S * 4/2002 Shapiro D3/276
 6,431,357 B1 * 8/2002 Su B42F 7/08
 229/67.3
 6,502,742 B1 * 1/2003 Su B42F 17/02
 229/67.3
 D471,014 S * 3/2003 Shapiro D3/290
 D472,707 S * 4/2003 Ong D3/290
 6,558,063 B2 * 5/2003 Ho B42F 7/08
 402/73
 D481,074 S * 10/2003 Shapiro D19/90
 6,672,439 B2 * 1/2004 Platte, III A45C 3/02
 190/103
 D487,191 S * 3/2004 Ong D3/290
 6,796,428 B1 * 9/2004 Ong B42F 7/08
 493/918

6,880,747 B1 * 4/2005 Pelleg B42F 7/08
 229/67.3
 6,945,399 B1 * 9/2005 Ong A45C 3/02
 229/67.3
 D530,091 S * 10/2006 Chang D3/290
 7,147,142 B1 * 12/2006 Chang A45C 13/1038
 229/67.3
 7,458,501 B1 * 12/2008 Pelleg A45C 3/02
 229/67.3
 7,789,290 B2 * 9/2010 Hsieh B42F 7/08
 229/67.4

OTHER PUBLICATIONS

Amazon. Link: https://www.amazon.com/Pendaflex-Pocket-Carry-Letter-Smoke/dp/B0017D6QFM/ref=sr_1_1?crd=1AW9PA8U881YZ&keywords=B0017D6QFM&qid=1657888274&s=office-products&sprefix=b0017d6qfm%2Coffice-products%2C57&sr=1-1. Pendaflex 26 Pocket Carry Case, Letter, Smoke (1132). Dec. 4, 2006. (Year: 2006).*

* cited by examiner

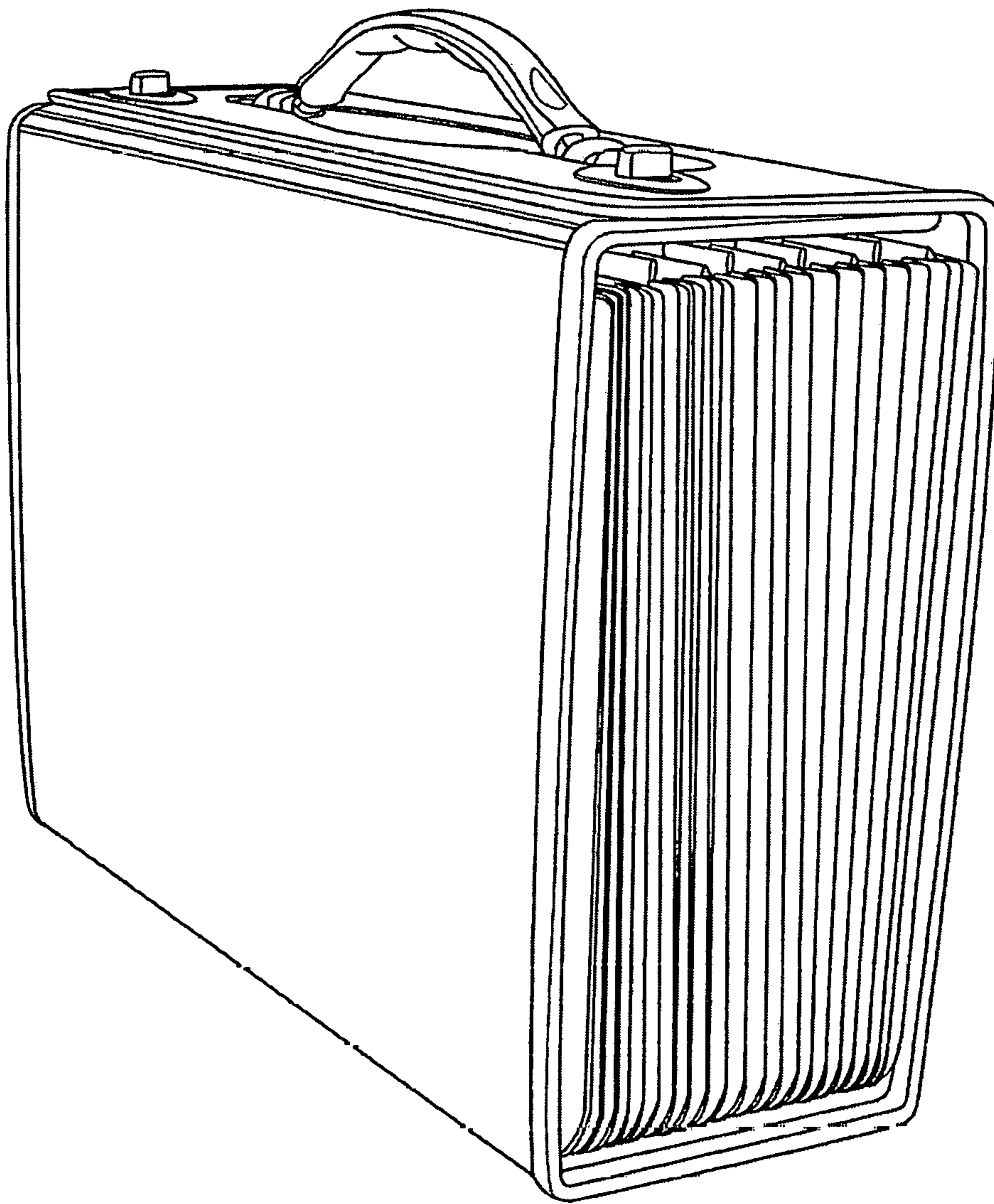


Fig. 1

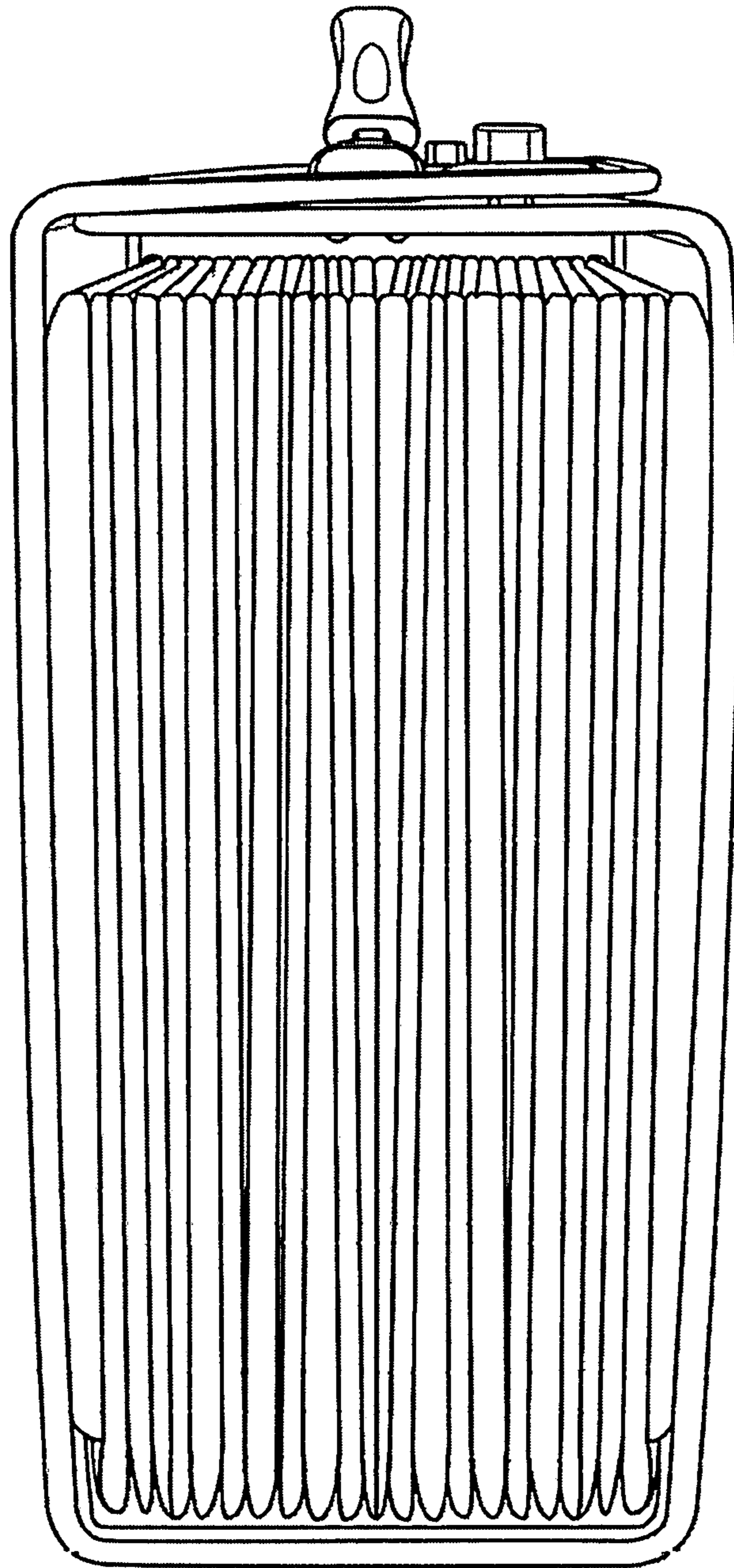


Fig. 2

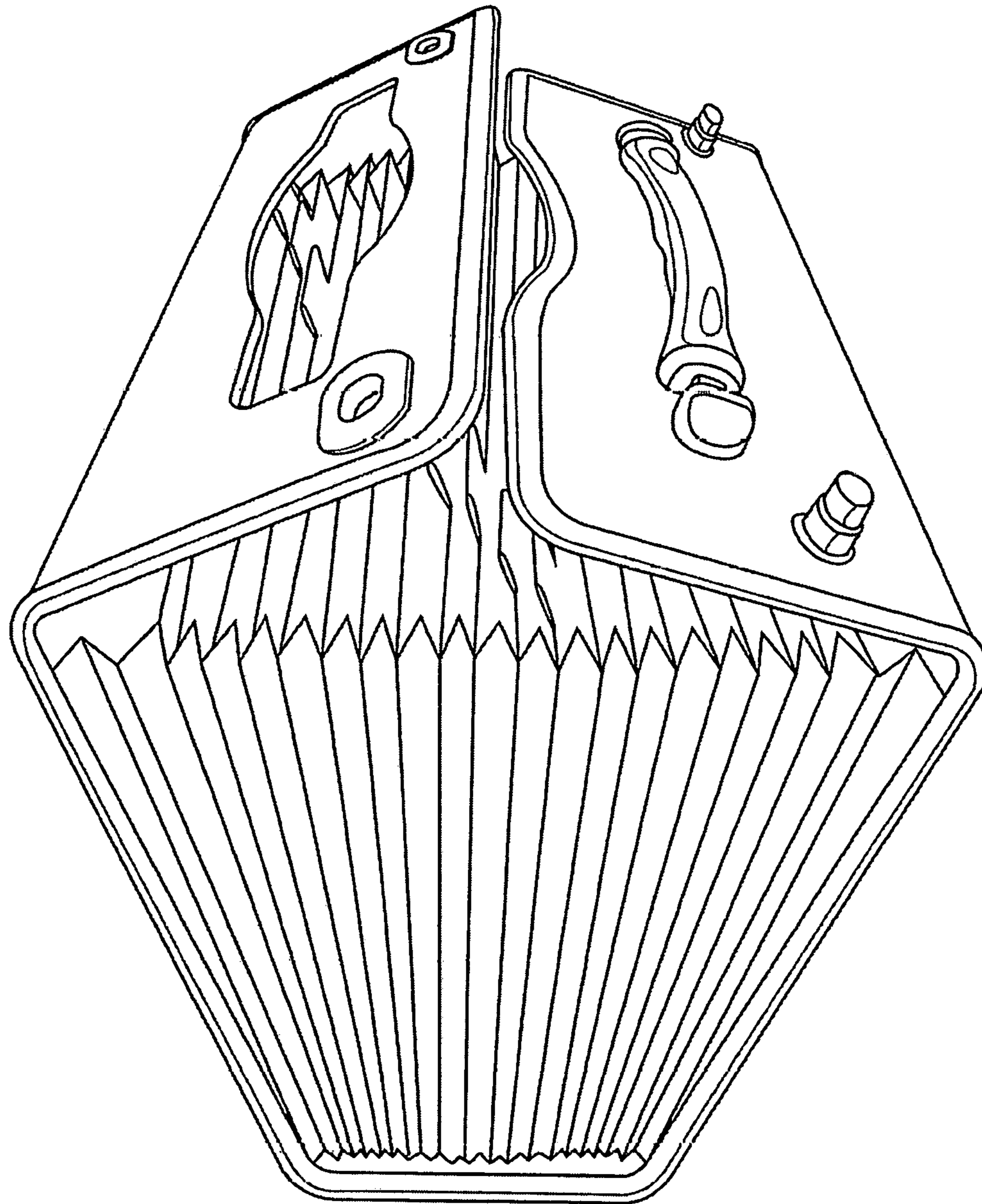


FIG. 3

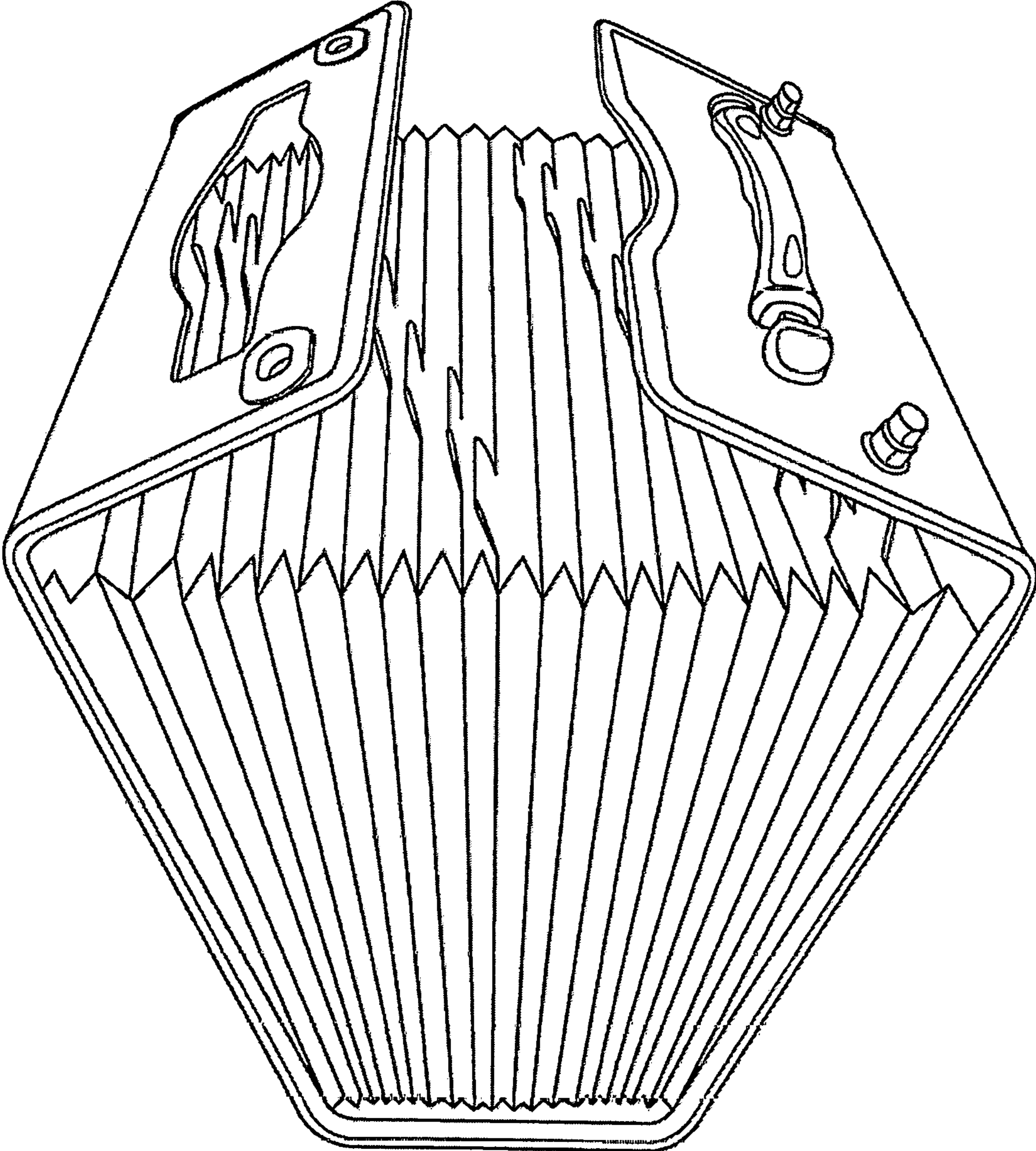


Fig. 4

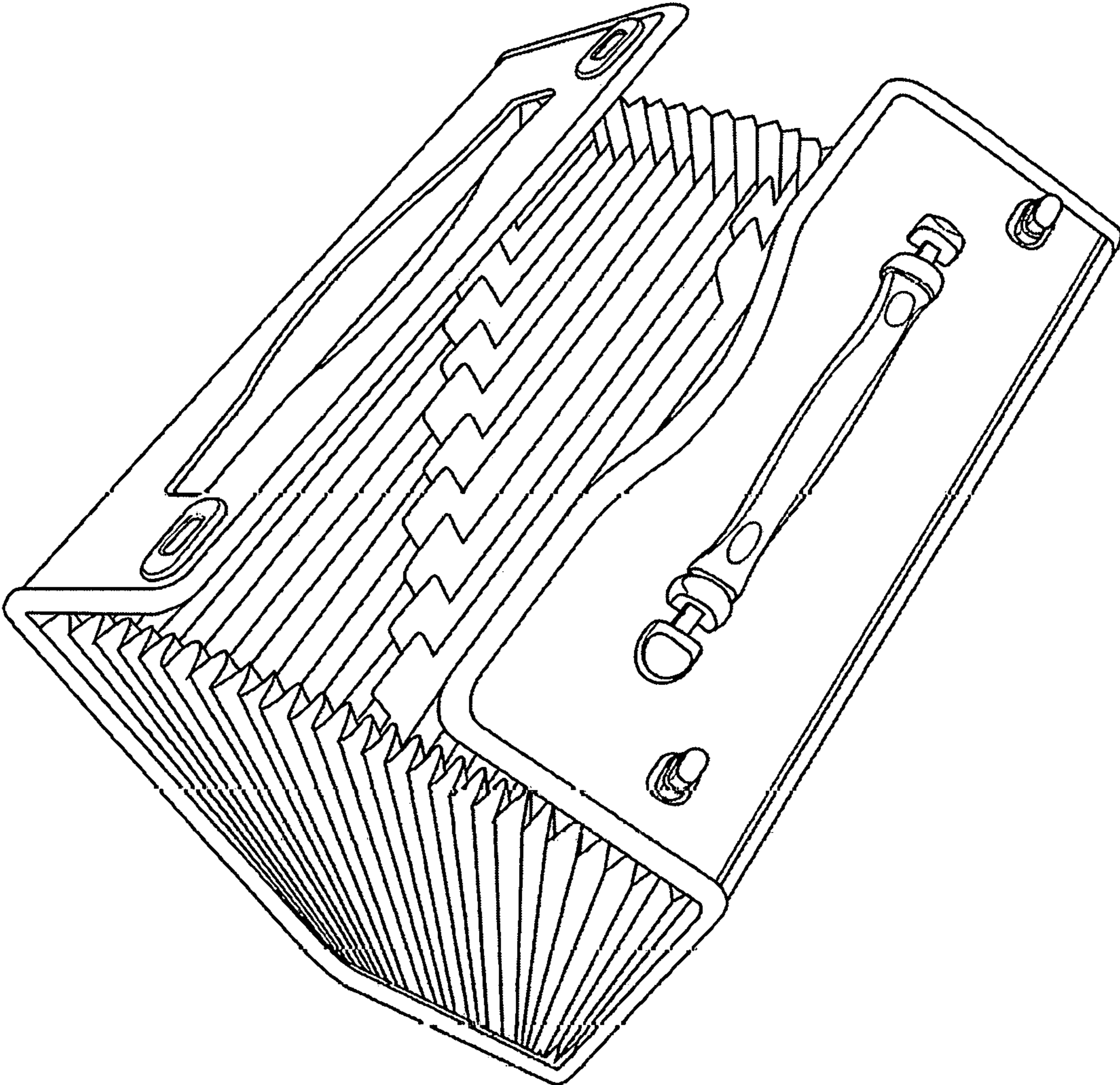


Fig. 5

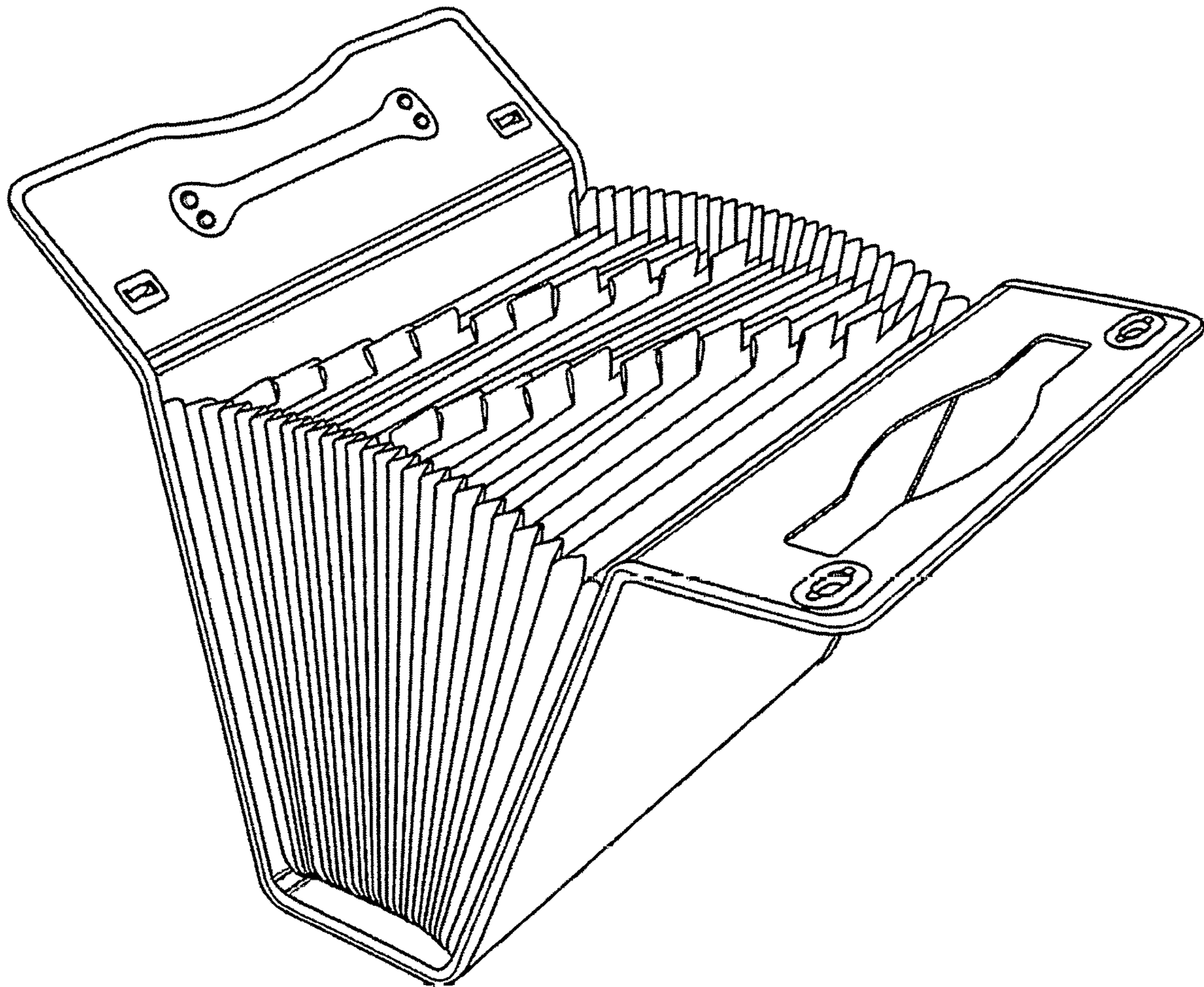


Fig. 6

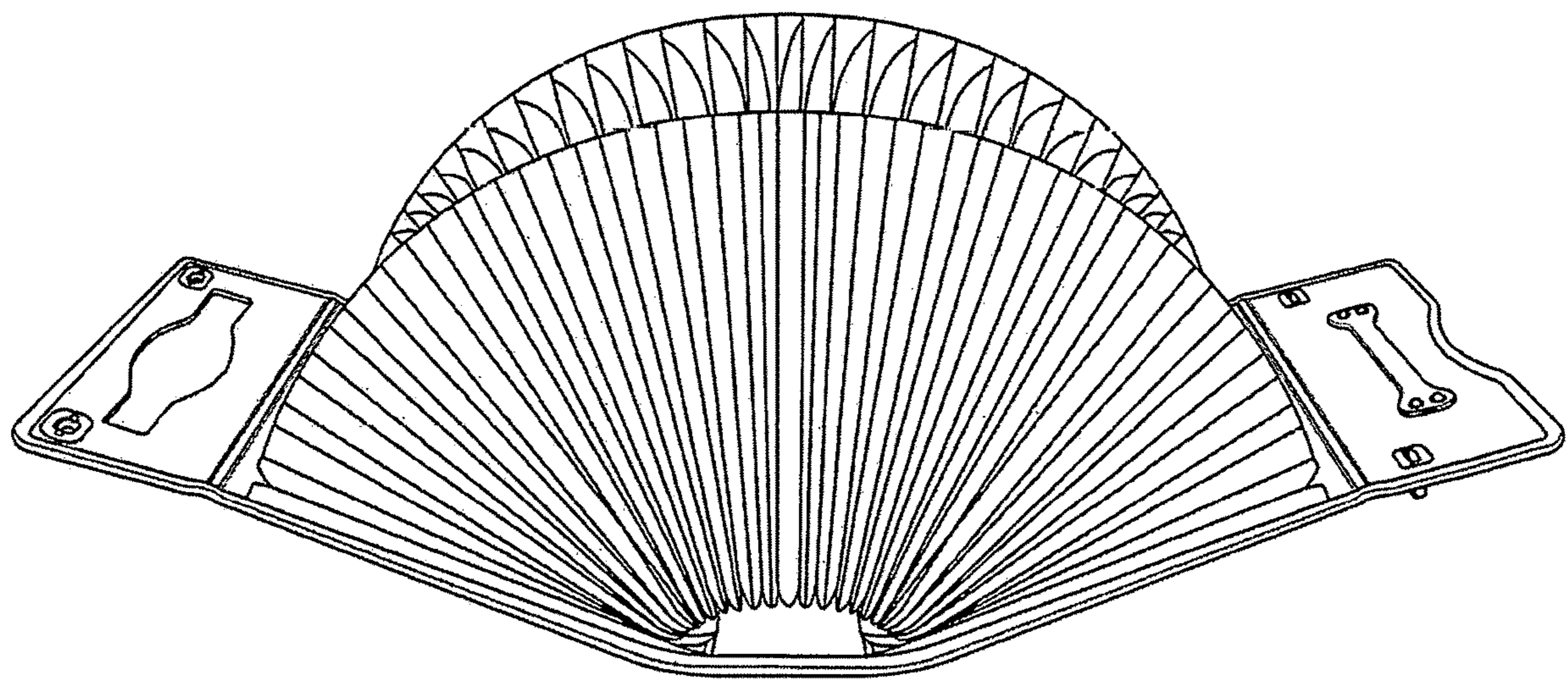


Fig. 7

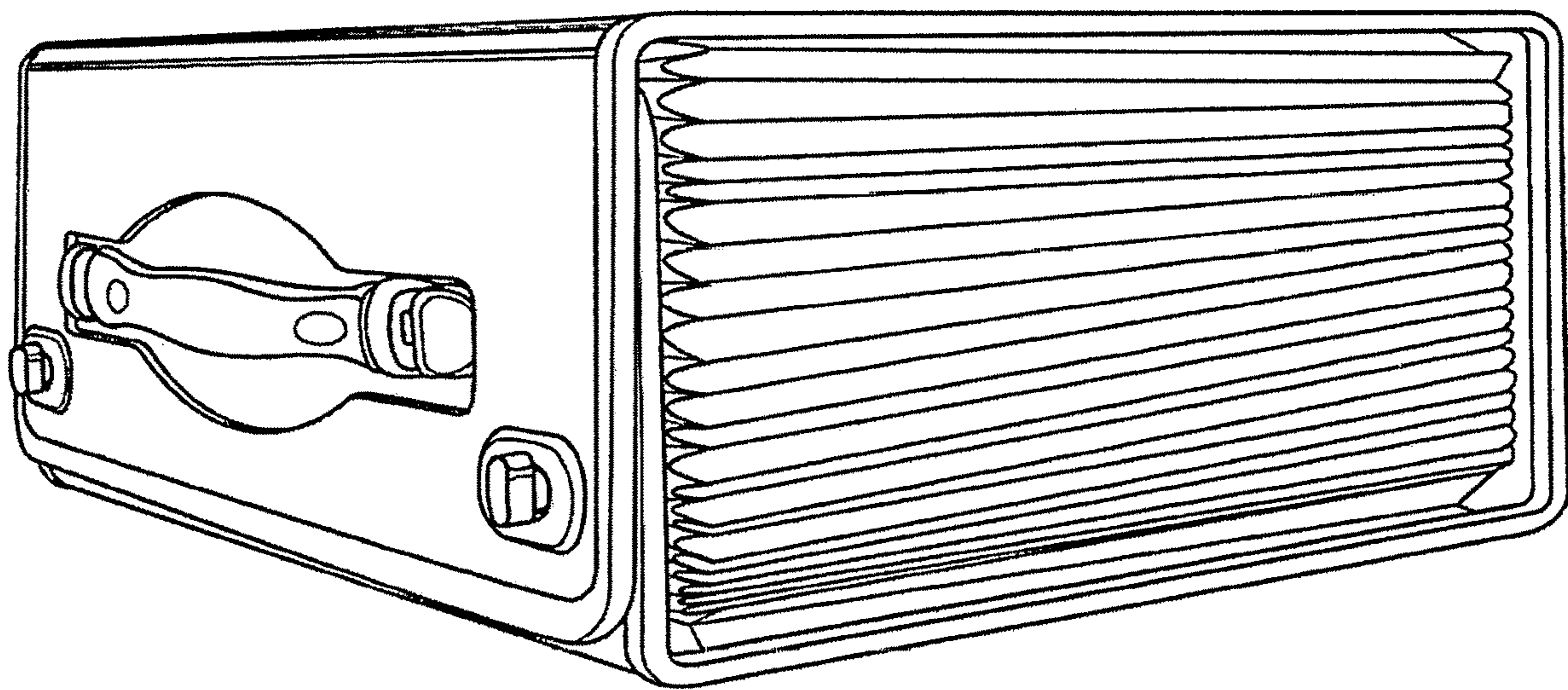


Fig. 8

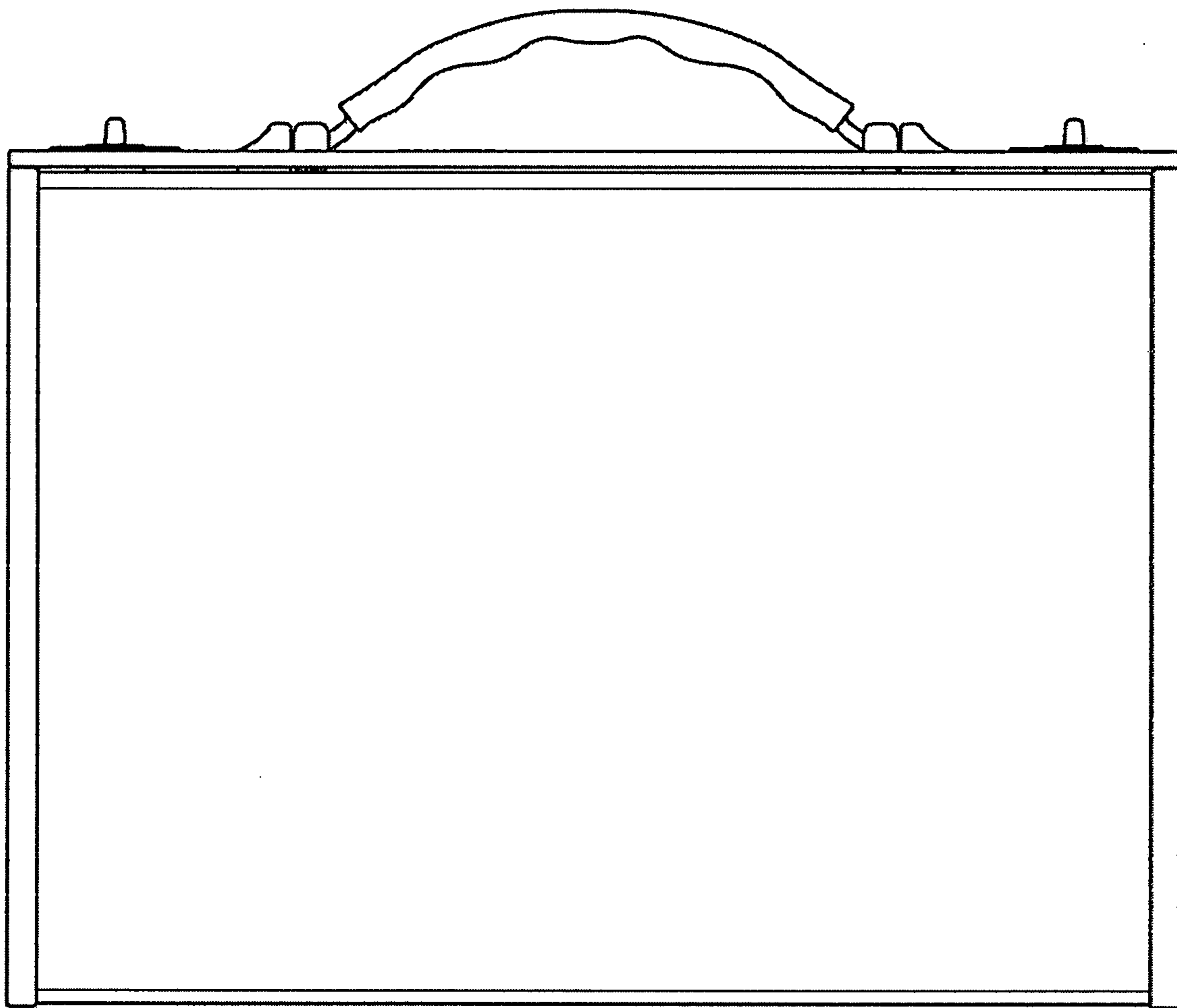


Fig. 9

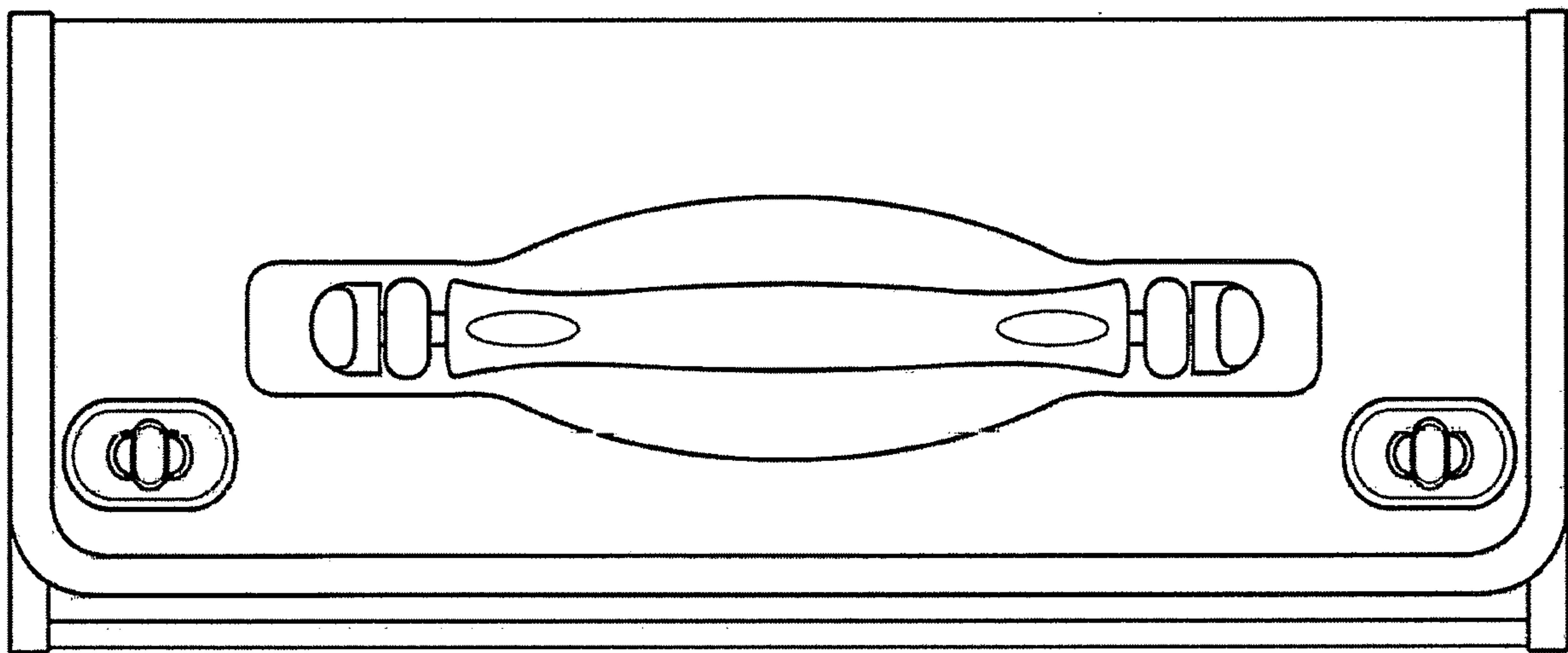


Fig. 10