



US00D965680S

(12) **United States Design Patent** (10) **Patent No.:** **US D965,680 S**
Sternberg et al. (45) **Date of Patent:** **** Oct. 4, 2022**

(54) **TAPE DISPENSER**
(71) Applicants: **Todd Sternberg**, Addison, TX (US);
Nobuhiro Tsuchiya, Tokyo (JP)
(72) Inventors: **Todd Sternberg**, Addison, TX (US);
Nobuhiro Tsuchiya, Tokyo (JP)
(**) Term: **15 Years**
(21) Appl. No.: **29/763,140**
(22) Filed: **Dec. 21, 2020**
(51) **LOC (13) Cl.** **19-99**
(52) **U.S. Cl.**
USPC **D19/69**
(58) **Field of Classification Search**
USPC D6/700, 866.21, 406.5, 405.6, 694, 685,
D6/641, 553; D19/66, 67, 68, 69;
D11/164; D8/367, 382; D18/50, 53, 54,
D18/55, 56, 57, 58, 59, 34.7, 34.3, 34.1,
D18/4.1
CPC G06F 3/02; H04N 1/00278; B32B 27/08;
G11B 23/40
See application file for complete search history.

D617,380 S * 6/2010 Chiu D19/69
D671,989 S * 12/2012 Refior D19/69
D671,992 S * 12/2012 Aquino D19/69
D701,901 S * 4/2014 Bonacina D19/69
D713,876 S * 9/2014 Bonacina D19/69

FOREIGN PATENT DOCUMENTS

CN 303933992 * 11/2016

OTHER PUBLICATIONS

Tape Dispenser Auto Tape Cutting Machine JF-3000, Amazon.com,
Date published Jun. 27, 2018, date retrieved from internet 3-8-2022-
29763140-https://amzn.to/3tHXHW3 (Year: 2018).*

* cited by examiner

Primary Examiner — Jennifer L Rempfer
Assistant Examiner — Danielle Nichole Bowly
(74) *Attorney, Agent, or Firm* — Foley & Lardner LLP

(57) **CLAIM**

The ornamental design for a tape dispenser, as shown and described.

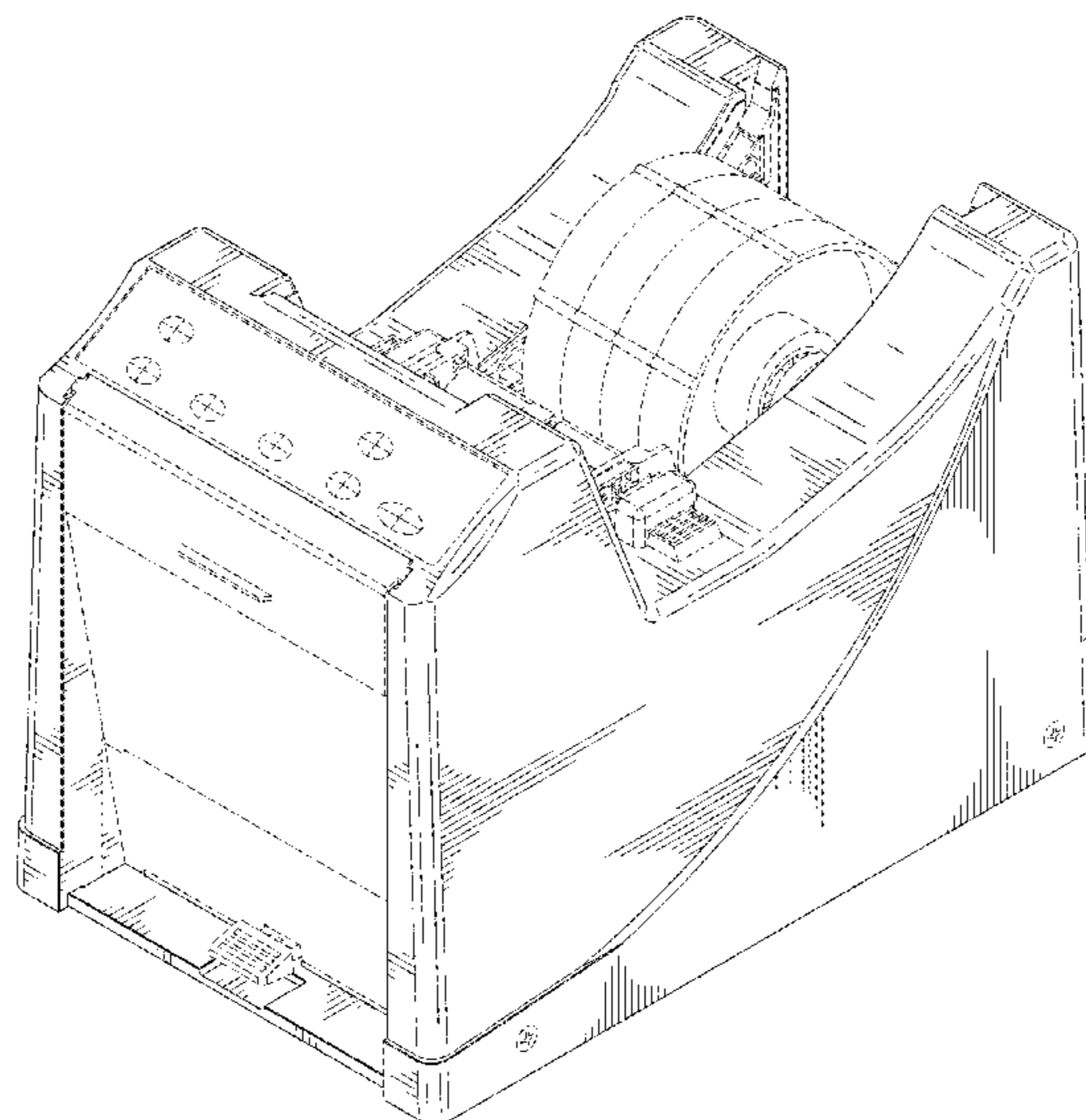
DESCRIPTION

FIG. 1 is a first perspective view of a tape dispenser;
FIG. 2 is front elevation view of the tape dispenser shown
in FIG. 1
FIG. 3 is a rear elevation view of the tape dispenser shown
in FIG. 1;
FIG. 4 is a right side view of the tape dispenser shown in
FIG. 1;
FIG. 5 is a left side view of the tape dispenser shown in FIG.
1;
FIG. 6 is a top view of the tape dispenser of FIG. 1; and,
FIG. 7 is a bottom view of the tape dispenser of FIG. 1.
The broken lines in FIGS. 1 and 7 form no part of the
claimed design.

1 Claim, 7 Drawing Sheets

(56) **References Cited**
U.S. PATENT DOCUMENTS

D226,333 S * 2/1973 Reinecke et al. D19/69
D226,334 S * 2/1973 Reinecke et al. D19/69
D248,561 S * 7/1978 Deering, Jr. D19/69
D254,556 S * 3/1980 Johnson D19/69
D289,180 S * 4/1987 Crawford D19/69
D299,658 S * 1/1989 Vasilakes D19/69
D359,511 S * 6/1995 Nash D19/67
D399,257 S * 10/1998 Tang D19/67
D404,430 S * 1/1999 Shen D19/67
D416,045 S * 11/1999 Shen D19/67
D434,801 S * 12/2000 Van Den Berg D19/67
D504,155 S * 4/2005 Crawford D19/67
D541,866 S * 5/2007 Kent D19/69
D568,399 S * 5/2008 Yu Chen D19/69
D597,137 S * 7/2009 Chiu D19/69



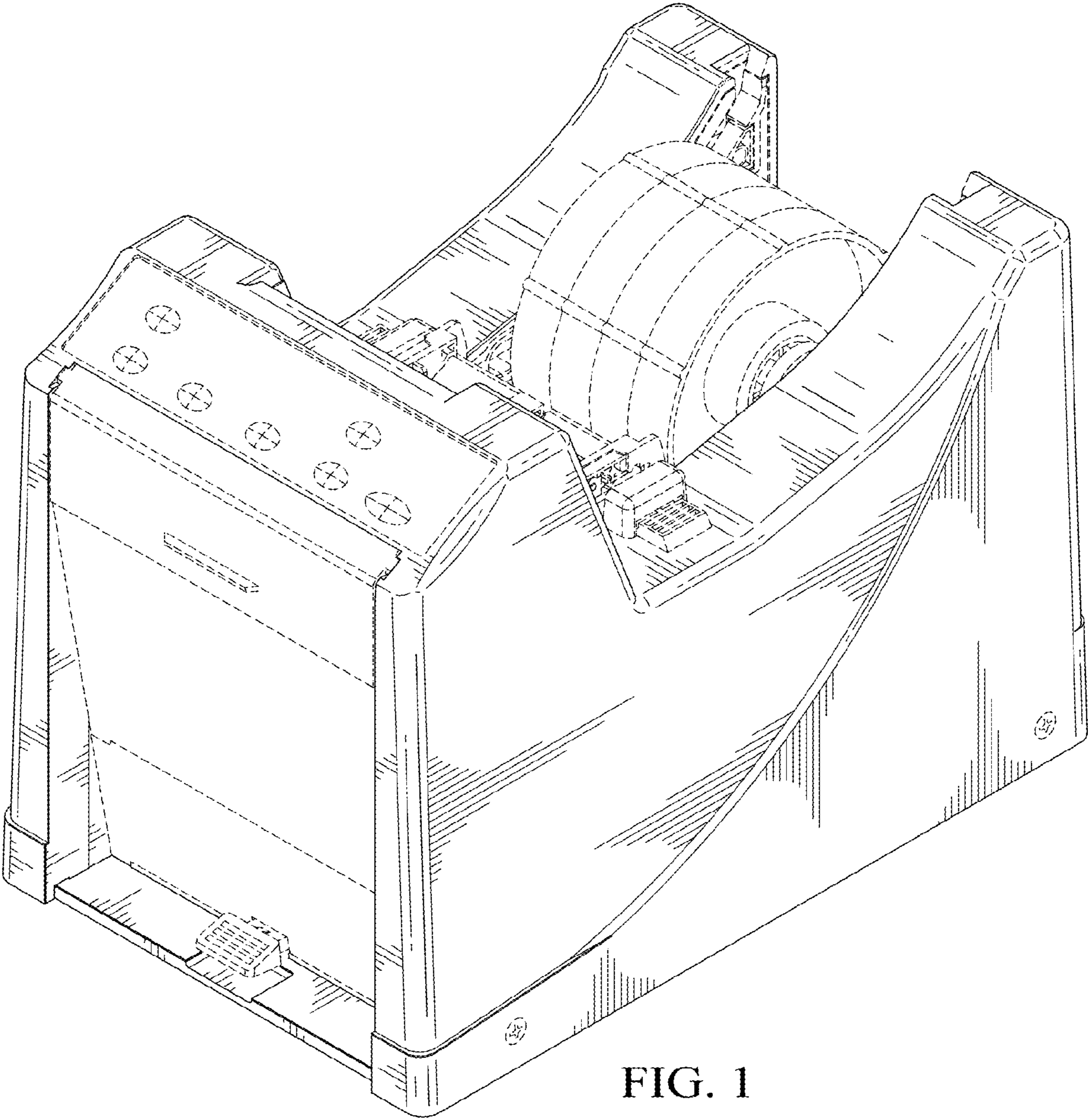


FIG. 1

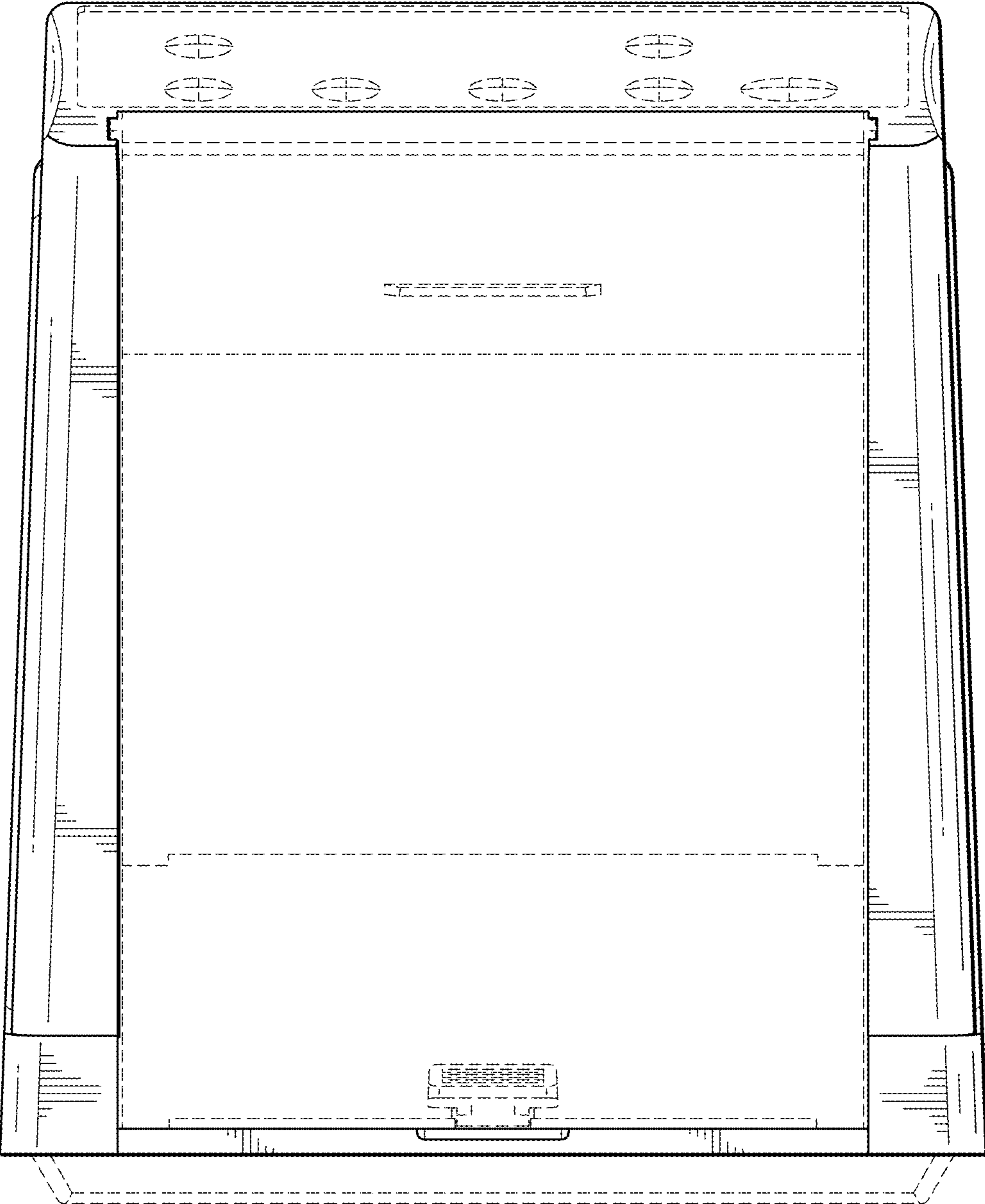


FIG. 2

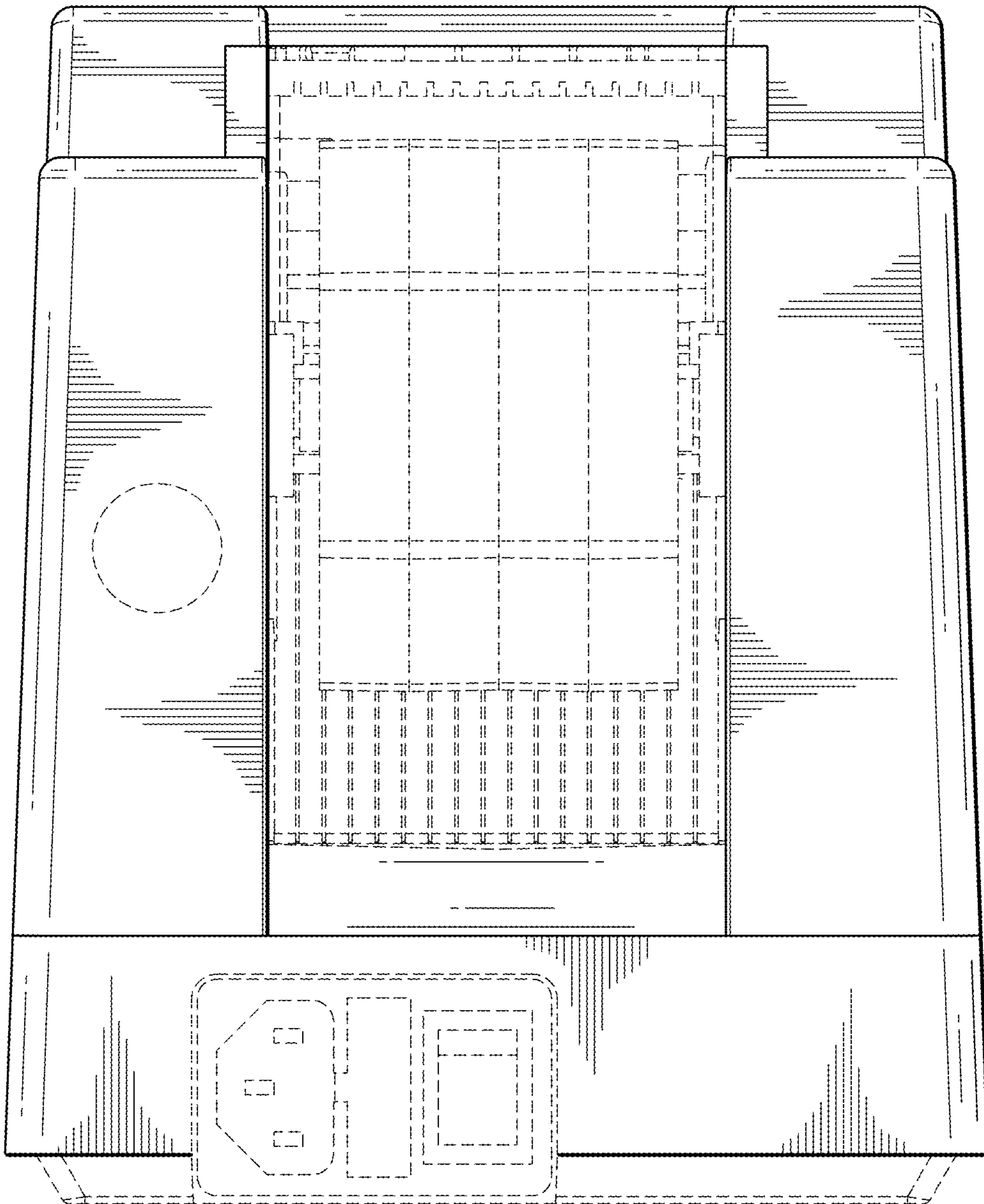


FIG. 3

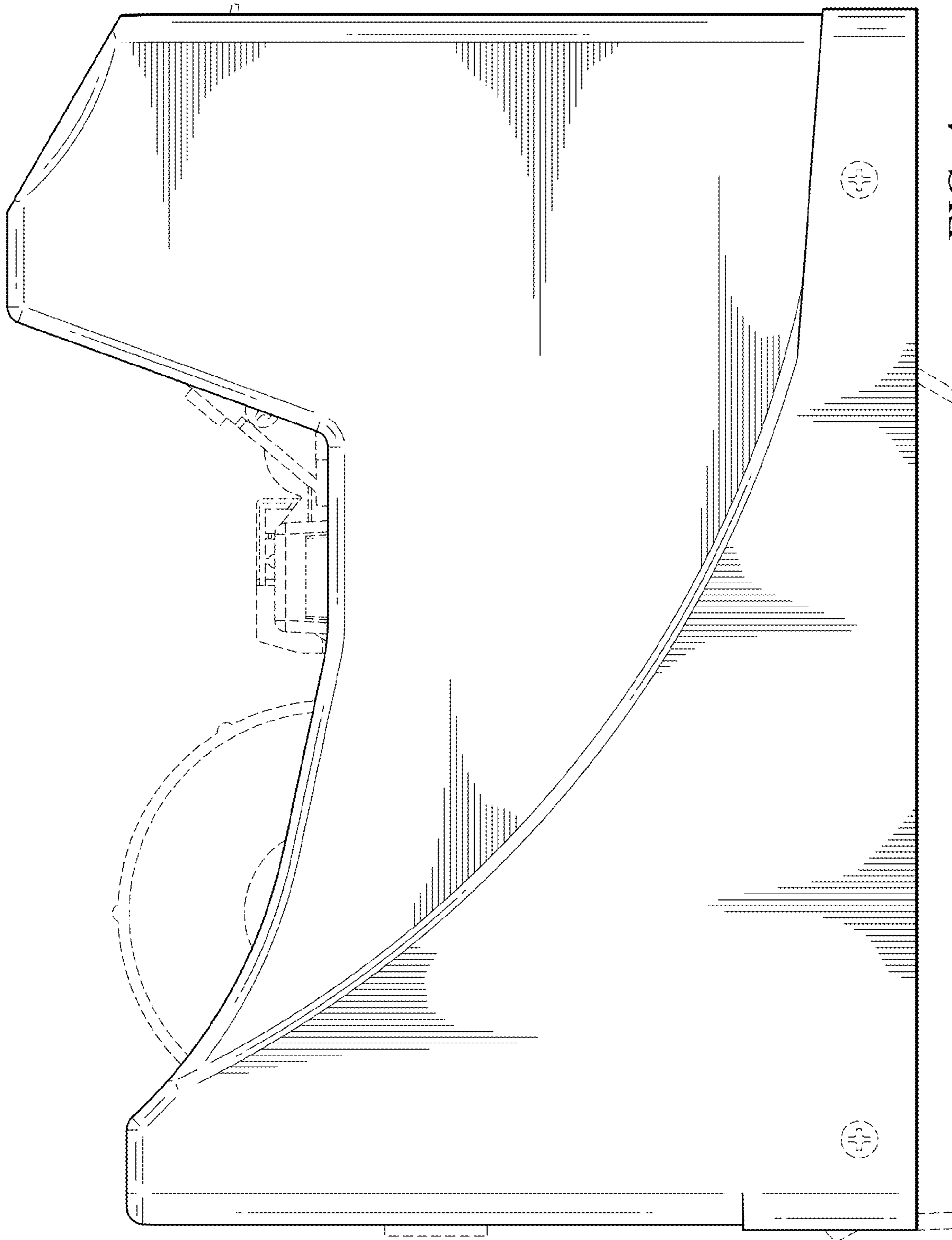


FIG. 4

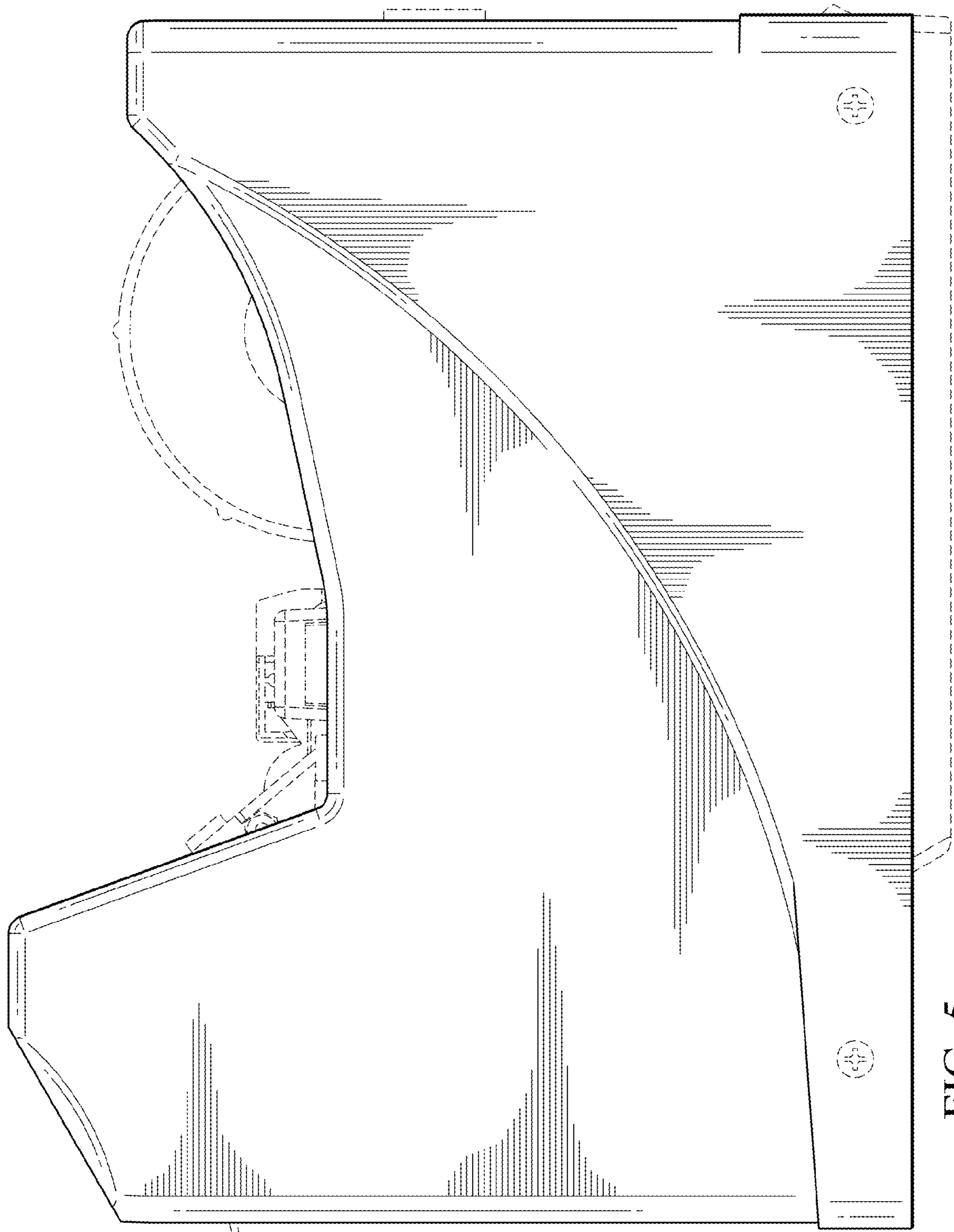


FIG. 5

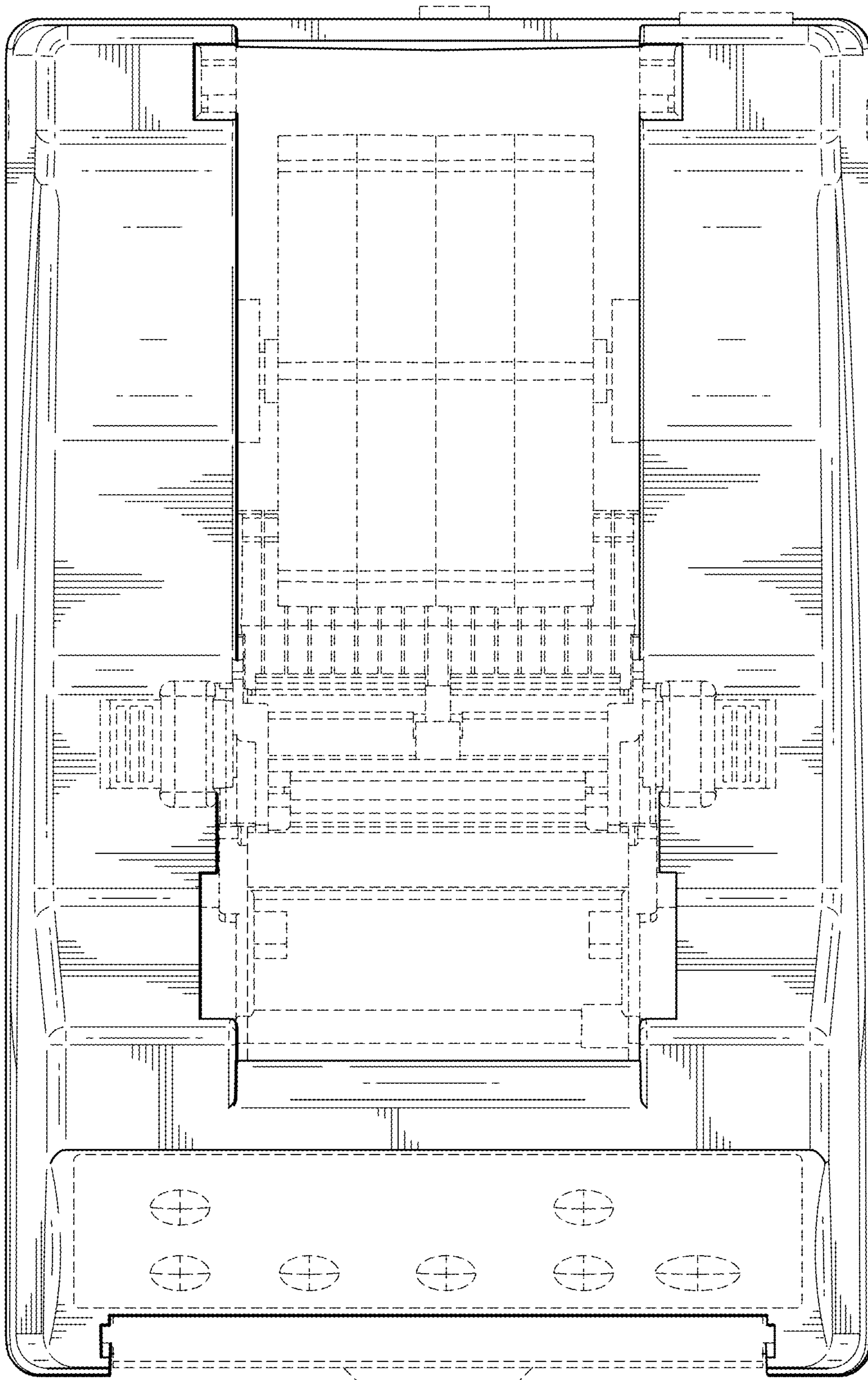


FIG. 6

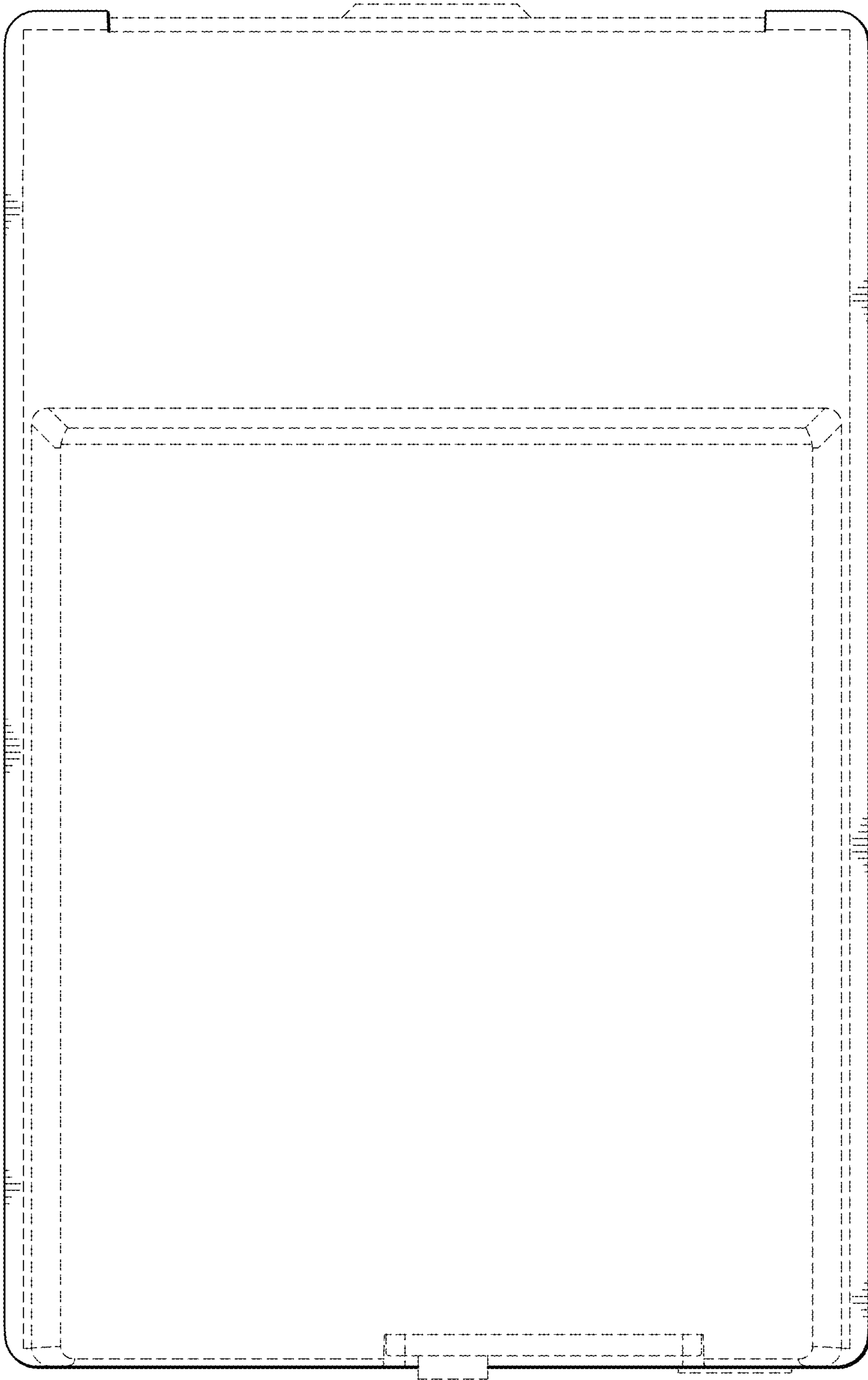


FIG. 7