



US00D965678S

(12) **United States Design Patent**
Li

(10) **Patent No.:** **US D965,678 S**
(45) **Date of Patent:** **** Oct. 4, 2022**

(54) **MULTIFUNCTIONAL SCRIBING TOOL**

FOREIGN PATENT DOCUMENTS

(71) Applicant: **SUZHOU LIYING NETWORK TECHNOLOGY CO., LTD.**,
Changshu (CN)

EM 008871743-0001 * 3/2022
EM 008886584-0001 * 3/2022

(Continued)

(72) Inventor: **Fei Li**, Changshu (CN)

OTHER PUBLICATIONS

(73) Assignee: **SUZHOU LIYING NETWORK TECHNOLOGY CO., LTD.**,
Changshu (CN)

Scribing Tool posted by Pmbqifay posted date Feb. 10, 2022, © Amazon, [online], [site visited Aug. 11, 2022]. Available from Internet, <https://www.amazon.com/Multi-function-Construction-Carpenter-Woodworking-Measuring/> (Year: 2022).*

(Continued)

(**) Term: **15 Years**

Primary Examiner — Garth Rademaker
Assistant Examiner — Laura H Yu

(21) Appl. No.: **29/827,011**

(22) Filed: **Feb. 16, 2022**

(57) **CLAIM**

The ornamental design for a multifunctional scribing tool, as shown and described.

(30) **Foreign Application Priority Data**

DESCRIPTION

Jan. 29, 2022 (GB) 6189533

(51) **LOC (13) Cl.** **19-06**

(52) **U.S. Cl.**
USPC **D19/38; D19/108**

(58) **Field of Classification Search**
USPC D19/35, 36, 37, 38, 41, 65, 99, 100, 101,
D19/103, 108, 115; D8/71
CPC B23K 9/26; B23K 9/013; B23K 9/164;
B08B 5/02; B25H 7/04; B43L 7/04;
B43L 7/08

See application file for complete search history.

FIG. 1 is a perspective view of a multifunctional scribing tool showing my new design;
FIG. 2 is another perspective view thereof;
FIG. 3 is a front elevational view thereof;
FIG. 4 is a rear elevational view thereof;
FIG. 5 is a left side elevational view thereof;
FIG. 6 is a right side elevational view thereof;
FIG. 7 is a top plan view thereof;
FIG. 8 is a bottom plan view thereof;
FIG. 9 is a perspective view of the multifunctional scribing tool where the multifunctional scribing tool is in a first configuration of use; and,
FIG. 10 is a perspective view of the multifunctional scribing tool where the multifunctional scribing tool is in a second configuration of use.

The broken lines in the drawings depict portions of the multifunctional scribing tool that form no part of the claimed design.

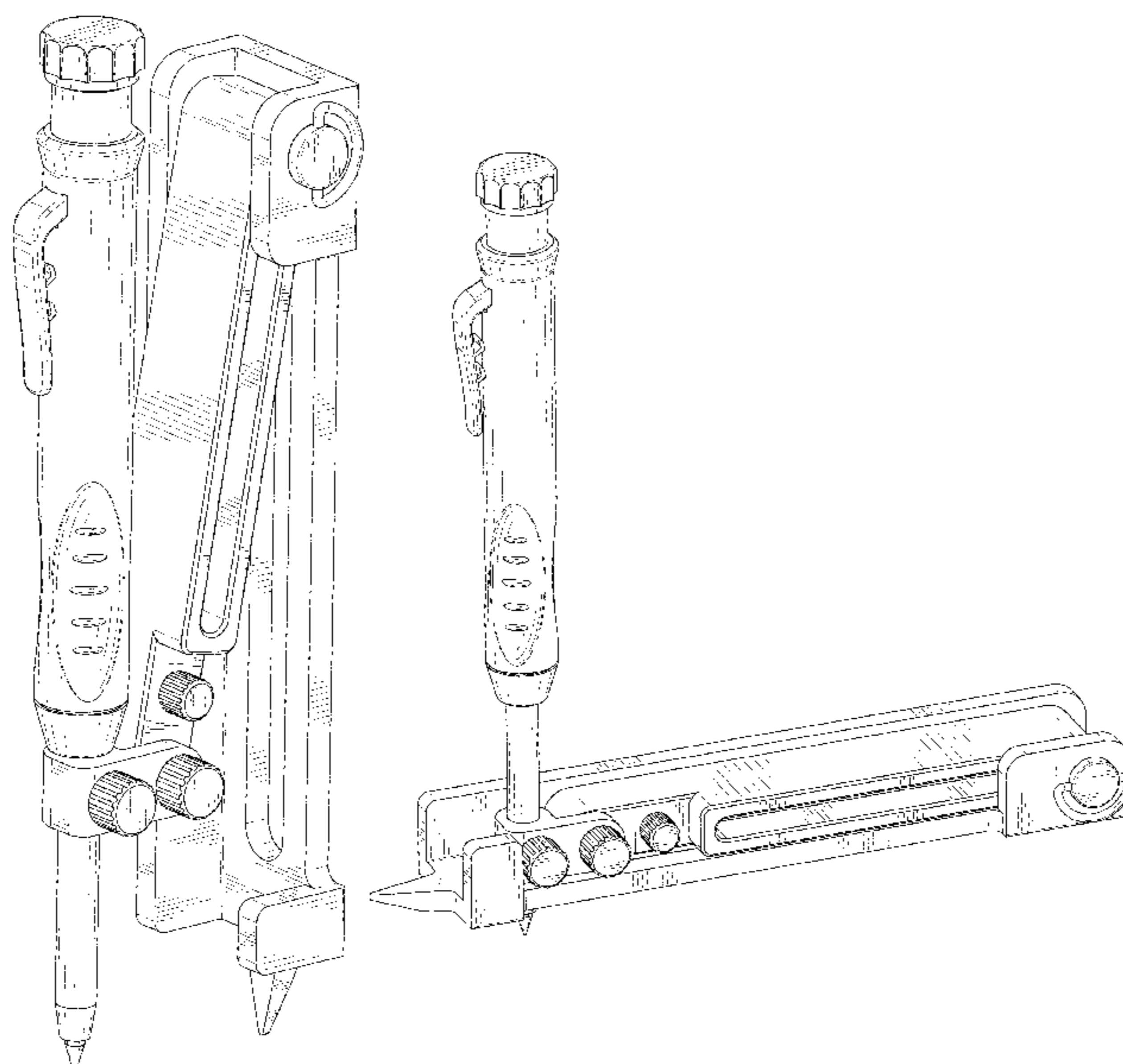
(56) **References Cited**

U.S. PATENT DOCUMENTS

1,674,726 A * 6/1928 Keaney B43L 9/02
7/164
1,743,024 A * 1/1930 Clark B43L 11/02
33/27.02

(Continued)

1 Claim, 10 Drawing Sheets



(56)

References Cited

U.S. PATENT DOCUMENTS

1,993,132	A *	3/1935	Cathcard	B25H 7/04 33/41.5
2,112,179	A *	3/1938	Sharrar	G01B 3/16 33/666
2,287,601	A *	6/1942	Callaghan	B25H 7/04 33/41.5
2,409,106	A *	10/1946	Connelly	B25H 7/04 33/41.5
2,505,015	A *	4/1950	Thibodeau	B43L 9/00 33/27.01
2,557,699	A *	6/1951	Silver	B25H 7/04 33/41.5
2,650,429	A *	9/1953	Debs	B43L 11/00 33/30.5
3,189,005	A *	6/1965	Hansen	B43L 13/004 33/23.04
3,237,308	A *	3/1966	Dorstewitz	B43L 9/02 33/558.4
D263,316	S *	3/1982	Baker	D19/108
4,318,228	A *	3/1982	Engelbart	
4,793,066	A *	12/1988	Cheng	B25H 7/005 33/DIG. 1
D336,105	S *	6/1993	Shapiro	D19/38
5,862,601	A *	1/1999	O'Brien	B25H 7/04 33/41.5
6,804,890	B1 *	10/2004	Kennedy, Sr.	B25H 7/005 33/21.3
D639,854	S *	6/2011	Canizio, Sr.	D19/108

FOREIGN PATENT DOCUMENTS

EM	008886584-0002	*	3/2022
EM	008935753-0001	*	4/2022

OTHER PUBLICATIONS

Multi-Function Scribing Tool posted by Liberal Brightdeer posted date Mar. 22, 2022, © Amazon, [online], [site visited Aug. 11, 2022]. Available from Internet, https://www.amazon.com/Multi-function-Scribing-Construction-Woodworking-Measuring/dp/B09W5C5MMV/ref=psdc_11646399011_t2_B09S6MJGZ5 (Year: 2022).*

Multi-Function Scribing Tool posted by Heizo posted date Mar. 15, 2022, © Amazon, [online], [site visited Aug. 11, 2022]. Available from Internet, https://www.amazon.com/Multi-function-Carpenter-Adjustable-Woodworking-Construction/dp/B09VL2NK4Y/ref=psdc_11646399011_t2_B09W5C5MMV (Year: 2022).*

Multi-Function Construction Scribing Tool posted by Hiboom posted date Mar. 28, 2022, © Amazon, [online], [site visited Aug. 11, 2022]. Available from Internet, <https://www.amazon.com/Construction-Woodworking-Measurement-Mechanical-Carpenter/> (Year: 2022).*

* cited by examiner

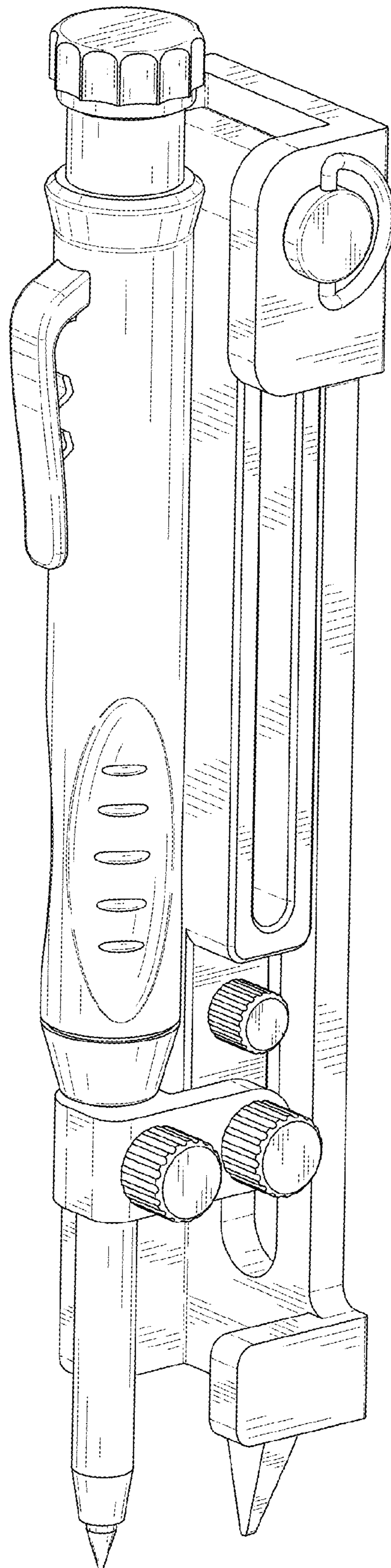


FIG. 1

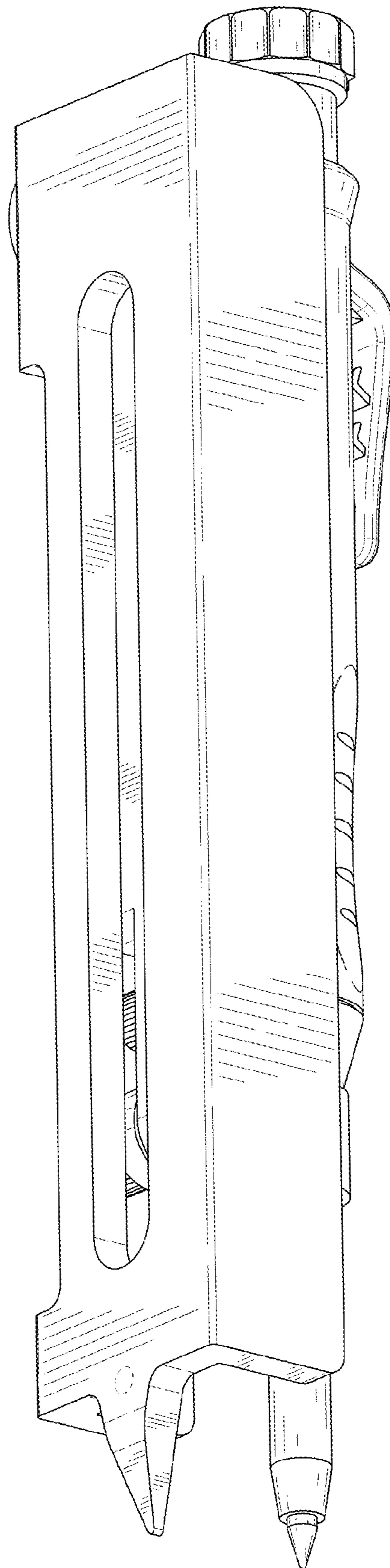


FIG. 2

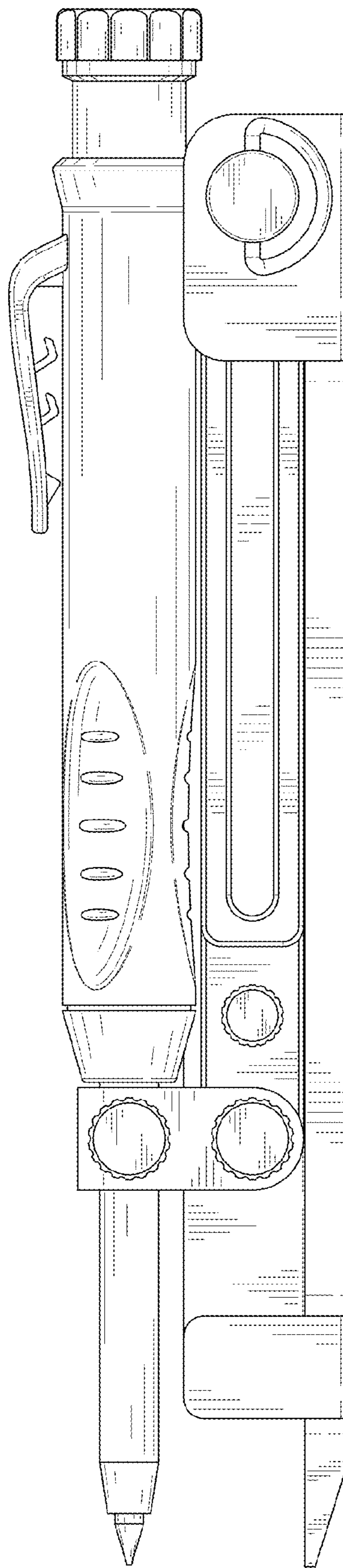


FIG. 3

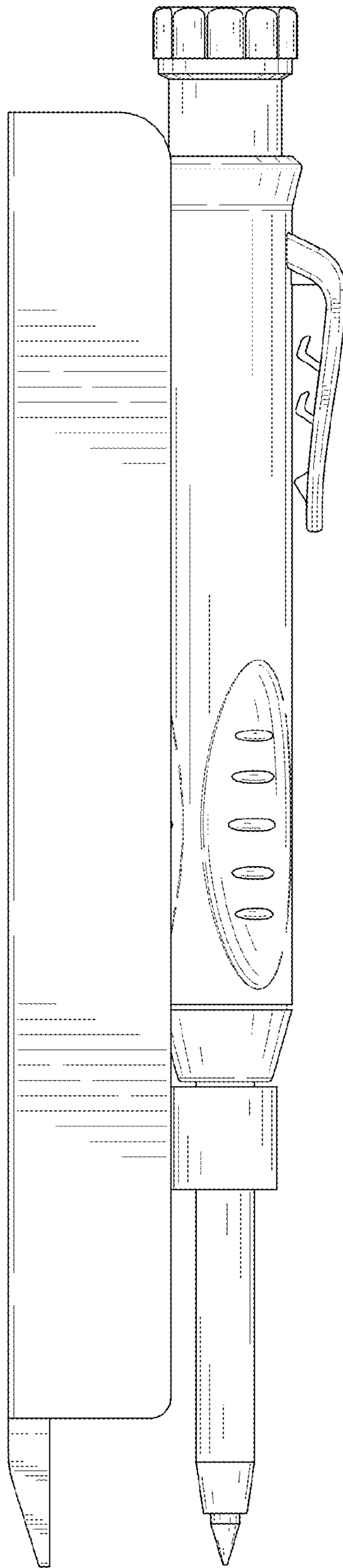


FIG. 4

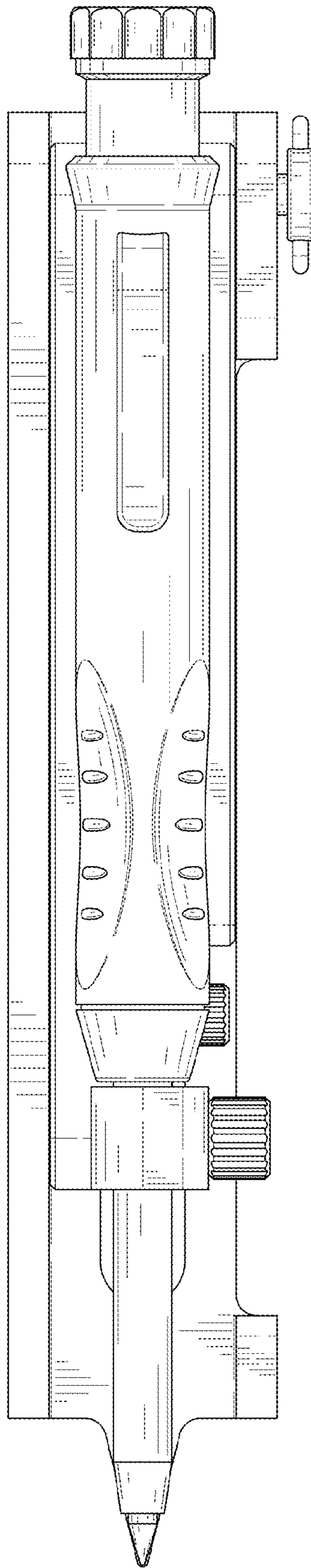


FIG. 5

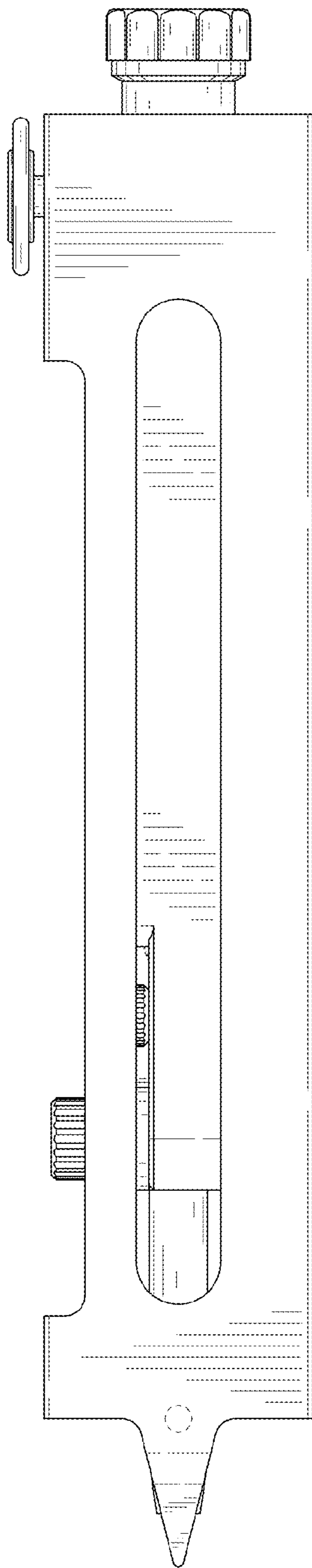


FIG. 6

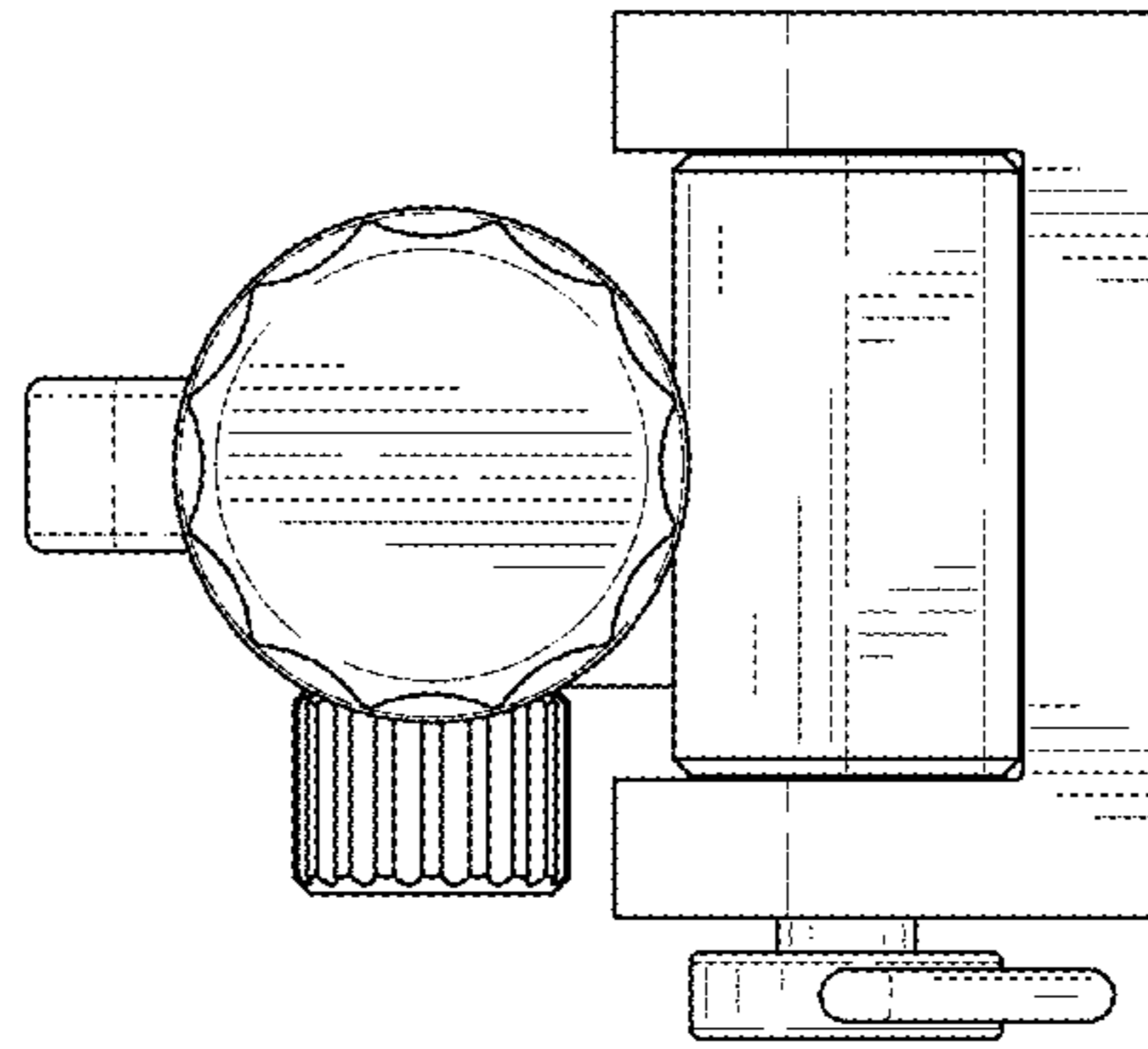


FIG. 7

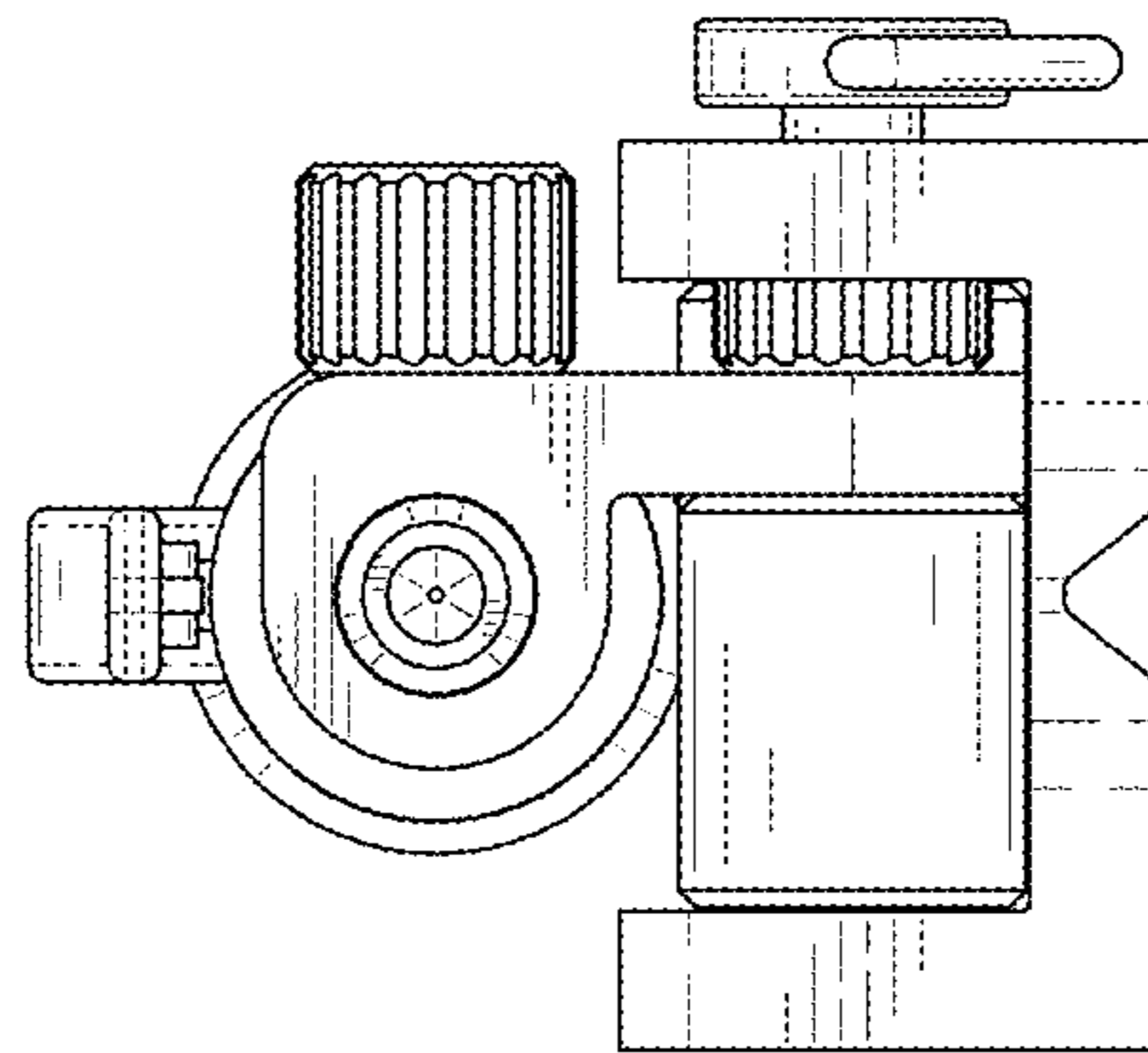


FIG. 8

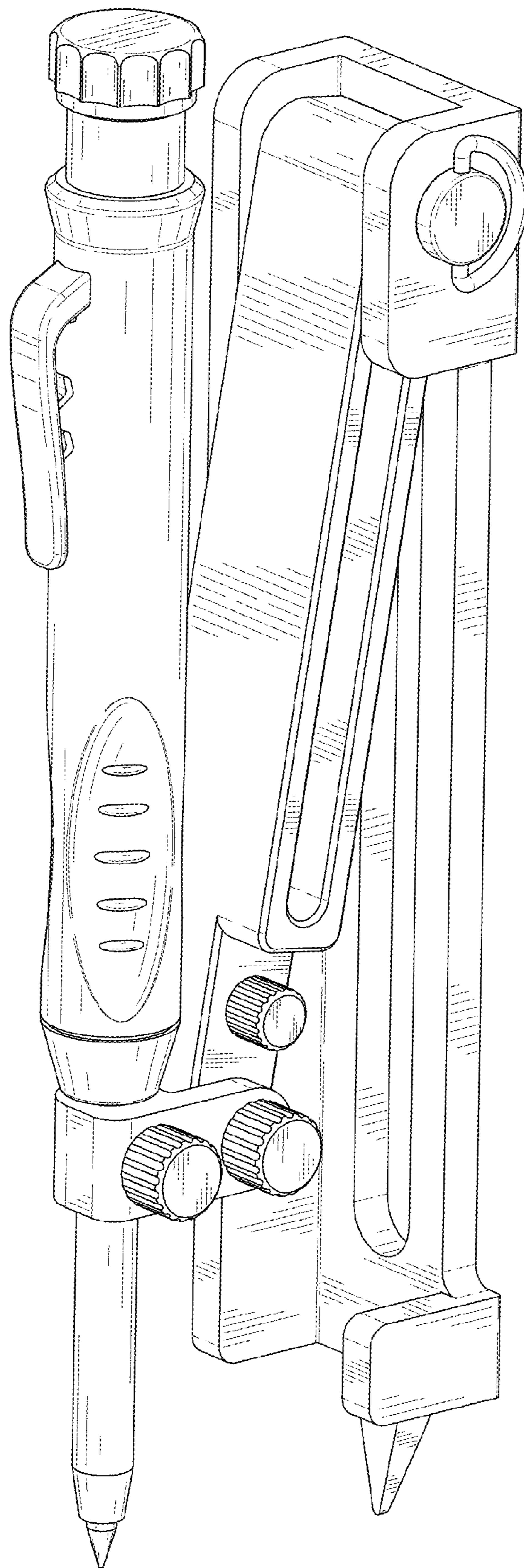


FIG. 9

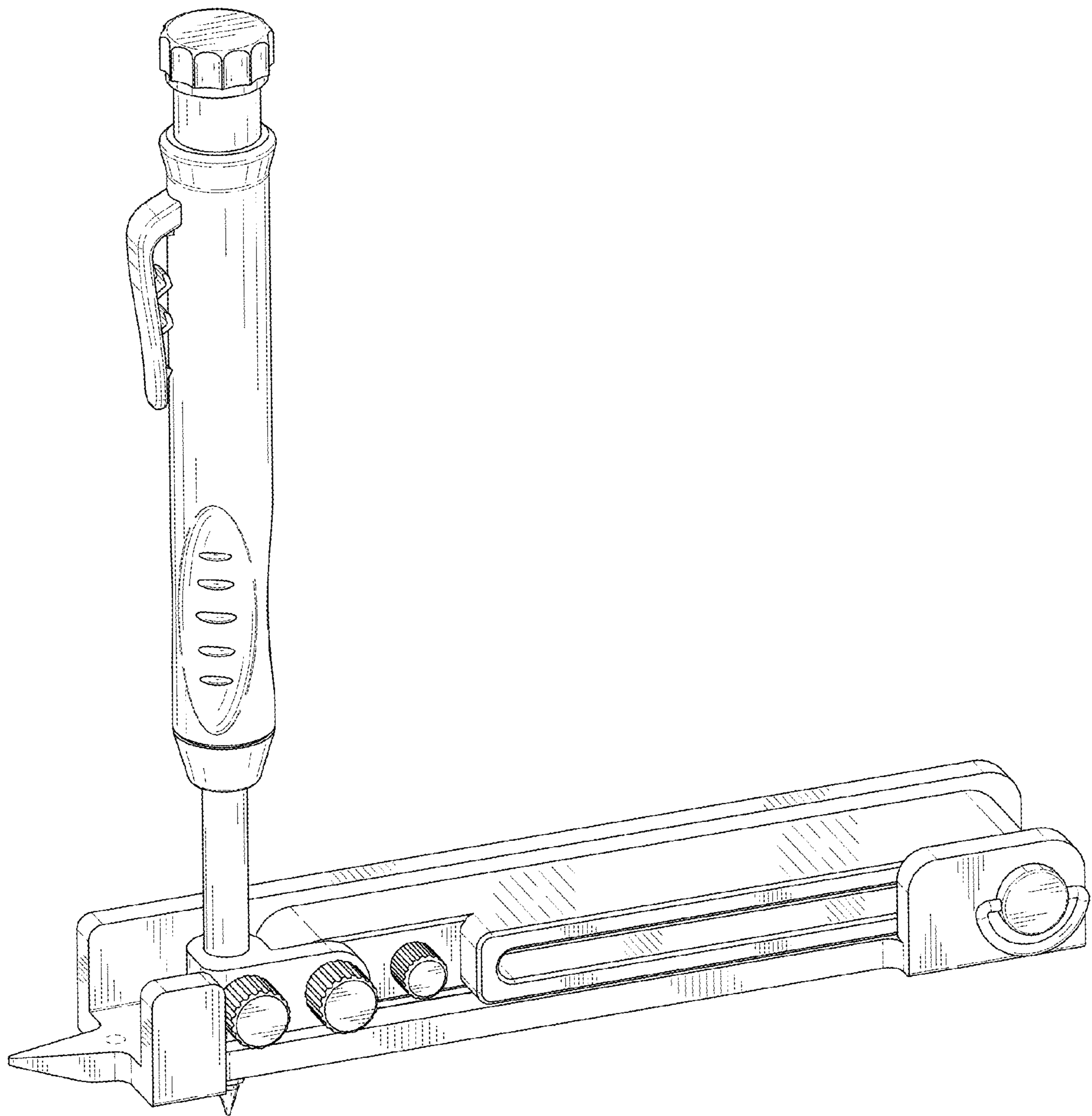


FIG. 10