



US00D965675S

(12) **United States Design Patent**
Golovata

(10) **Patent No.:** **US D965,675 S**

(45) **Date of Patent:** **** Oct. 4, 2022**

(54) **WOODEN GREETING CARD**

(71) Applicant: **Ganna Golovata**, Hanover, MD (US)

(72) Inventor: **Ganna Golovata**, Hanover, MD (US)

(**) Term: **15 Years**

(21) Appl. No.: **29/749,509**

(22) Filed: **Sep. 5, 2020**

Related U.S. Application Data

(63) Continuation-in-part of application No. 29/673,965, filed on Dec. 18, 2018, now Pat. No. Des. 897,422.

(51) **LOC (13) Cl.** **19-01**

(52) **U.S. Cl.**
USPC **D19/1; D6/300**

(58) **Field of Classification Search**
USPC D19/1-8, 82, 100; 40/124.01-124.15, 40/582, 540, 443, 442, 902, 672, 617, 40/599, 331, 359, 360, 625, 717, 455, 40/124.191; 446/147; 362/806, 808; 428/42.1, 203-204, 913.3; 283/2-4, 283/74-75, 91, 103, 105-106; D20/10, D20/22, 42, 27, 40; 229/92, 92.1, 92.8, 229/300-303; D11/131, 117; 206/449, 206/308.3; D21/660; D6/300-314
CPC B42D 15/00; B42D 15/022; B42D 15/042; B42D 15/027; B42D 15/045; B42D 2033/00; B42D 2033/02; B42D 2033/04; B42D 2033/08; B42D 2033/10; B42D 2033/18; B42D 2033/20; B42D 2033/30; B43D 25/00; B43D 25/20; B43D 25/21; B43D 25/30; B43D 25/23; B43D 25/26; B43D 25/29; B43D 25/285

See application file for complete search history.

(56) **References Cited**

U.S. PATENT DOCUMENTS

D375,757 S	*	11/1996	Johnson	D19/1
D432,570 S	*	10/2000	Donaldson	D19/1
D626,174 S	*	10/2010	Ortiz	D19/6
D632,734 S	*	2/2011	Qiao	D19/1
D657,816 S	*	4/2012	Chambers	D19/1
D685,418 S	*	7/2013	Chambers	D19/4
D770,283 S	*	11/2016	Lee	D9/457

(Continued)

Primary Examiner — Abraham Bahta

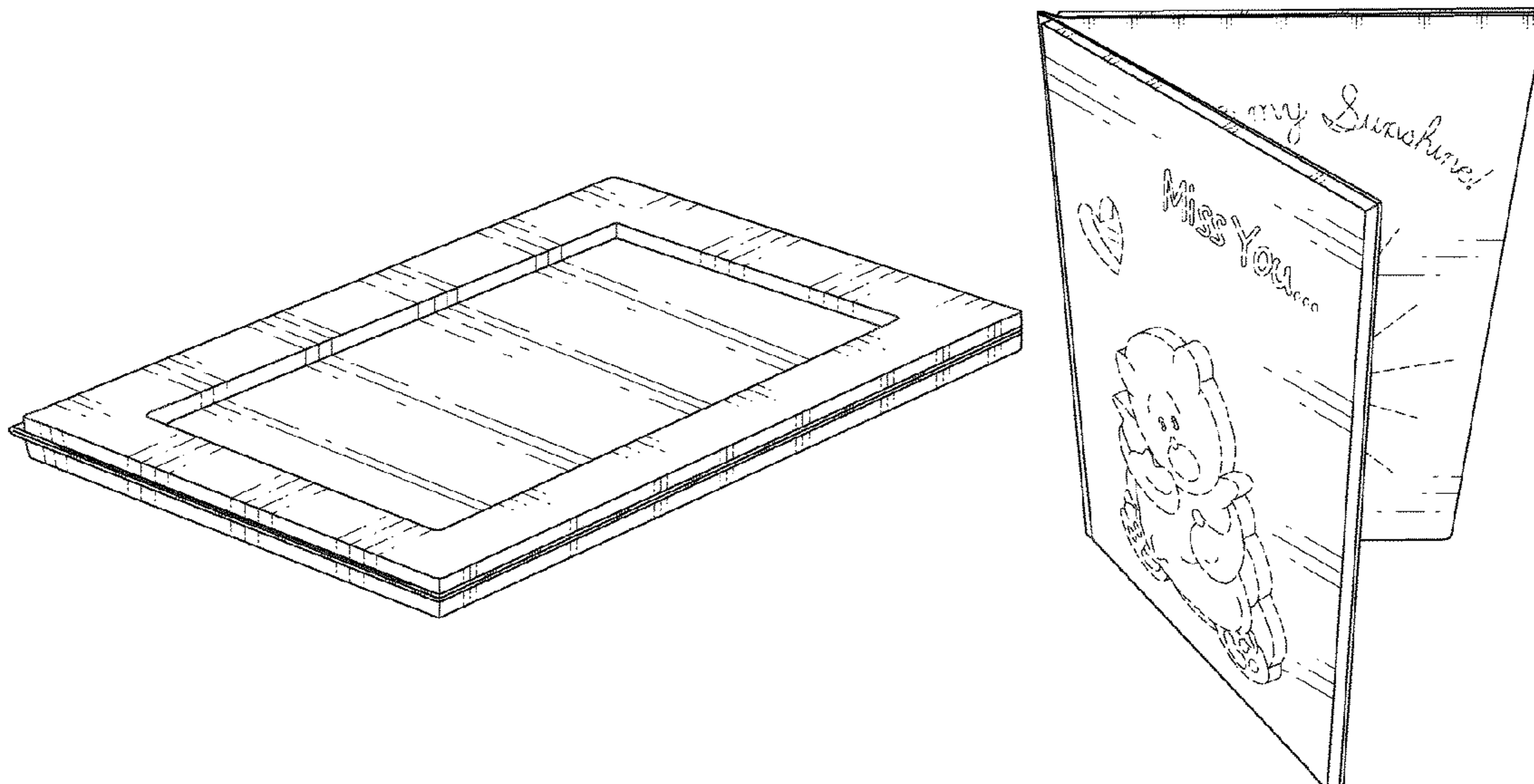
(57) **CLAIM**

The ornamental design for a wooden greeting card, as shown and described.

DESCRIPTION

FIG. 1 is a front, bottom and right perspective view of the wooden greeting card showing my new design in a completely folded position;
FIG. 2 is a rear, bottom and right perspective view of the wooden greeting card showing my new design in a completely folded position;
FIG. 3 is a top view thereof;
FIG. 4 is a front view thereof;
FIG. 5 is a bottom view thereof;
FIG. 6 is a rear view thereof;
FIG. 7 is a left side view thereof;
FIG. 8 is a right side view thereof;
FIG. 9 is a rear-top perspective view, the wooden greeting card in a slightly open position;
FIG. 10 is a front-top perspective view, the wooden greeting card in a slightly open position;
FIG. 11 is a front, top and left perspective view of the wooden greeting card in a slightly open position; and,
FIG. 12 is a front view of the wooden greeting card in a completely open position.
The broken line showing of portions of the wooden greeting card is included for the purpose of illustrating environmental structure and forms no part of the claimed design.

1 Claim, 9 Drawing Sheets



(56)

References Cited

U.S. PATENT DOCUMENTS

D804,194 S * 12/2017 Thams D6/300
D854,343 S * 7/2019 Altemimej D6/300

* cited by examiner

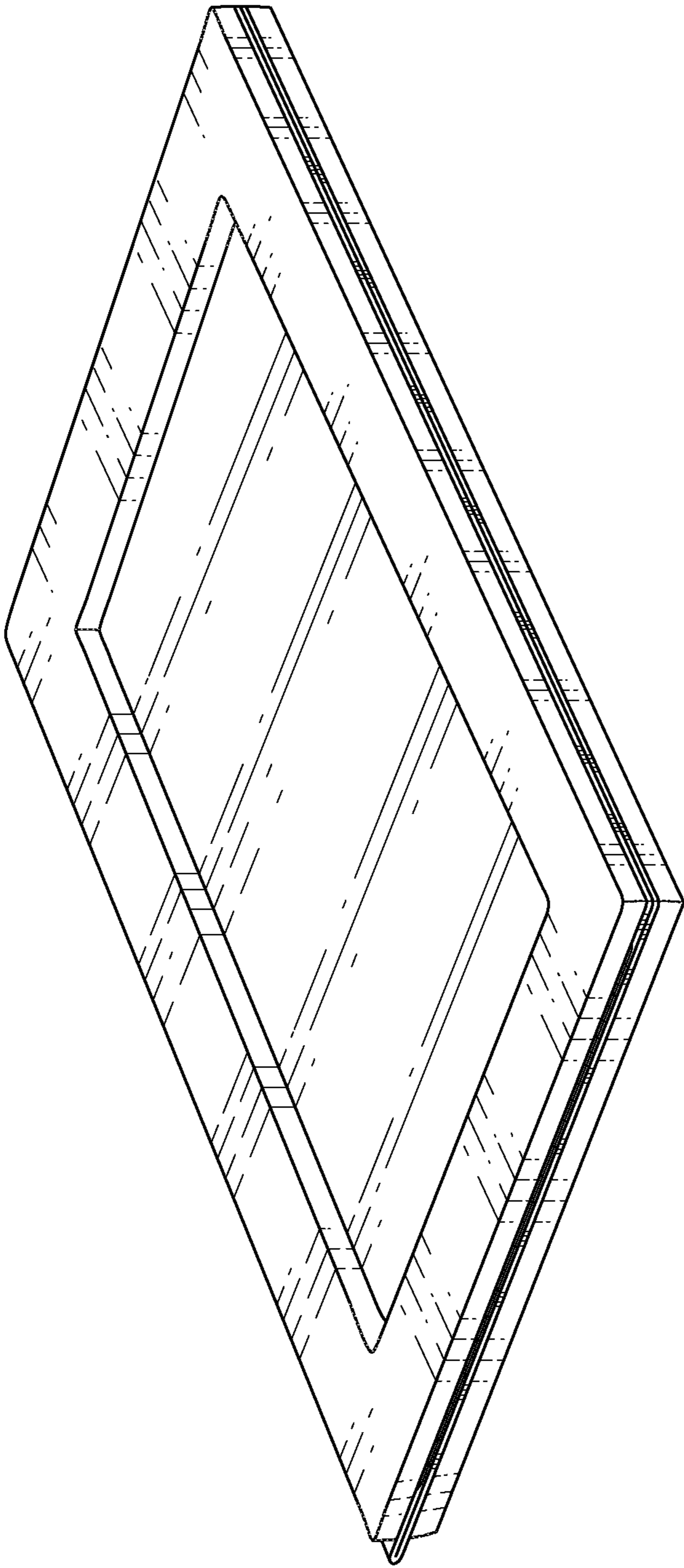


FIG. 1

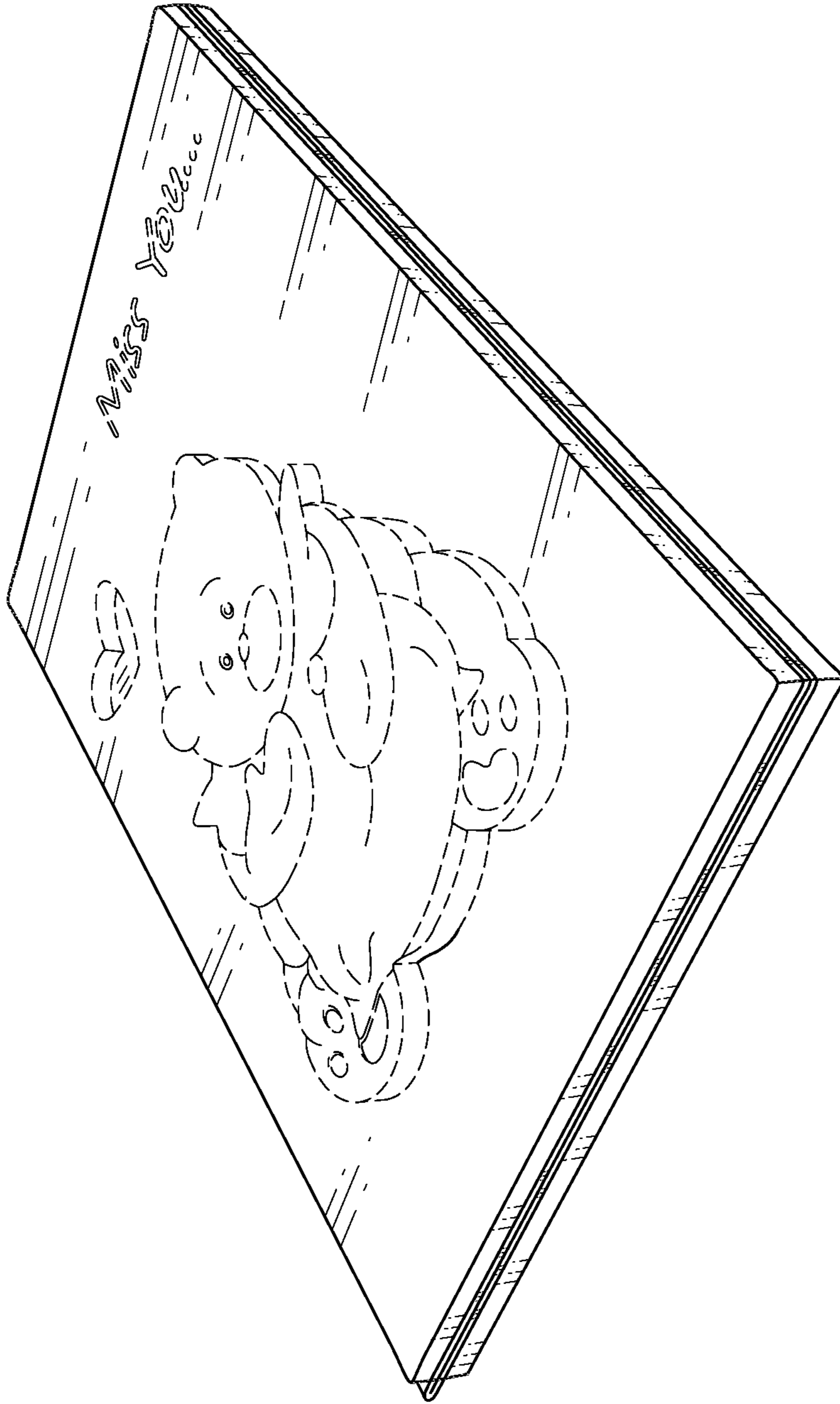


FIG. 2

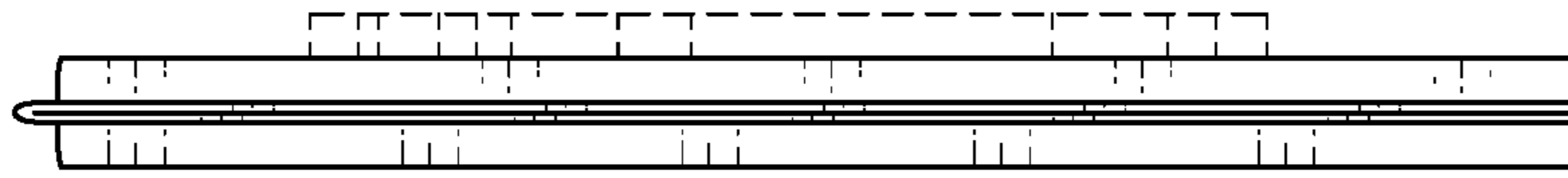


FIG. 3

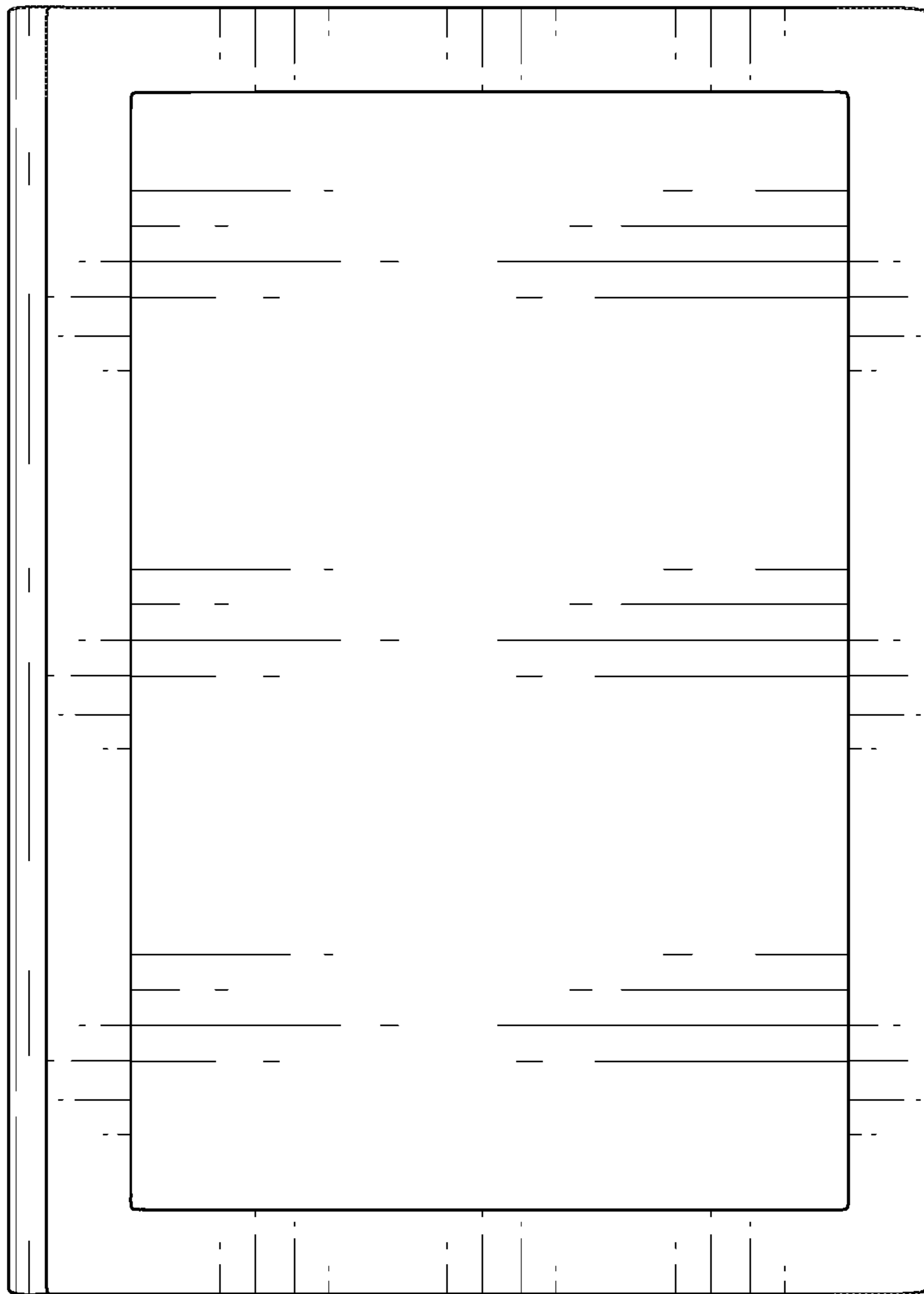


FIG. 4

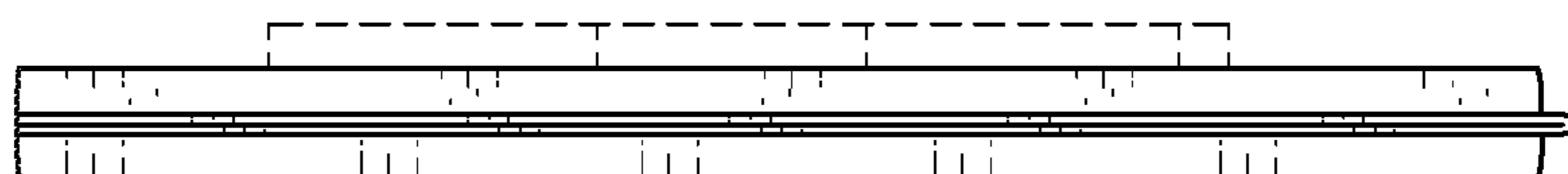


FIG. 5

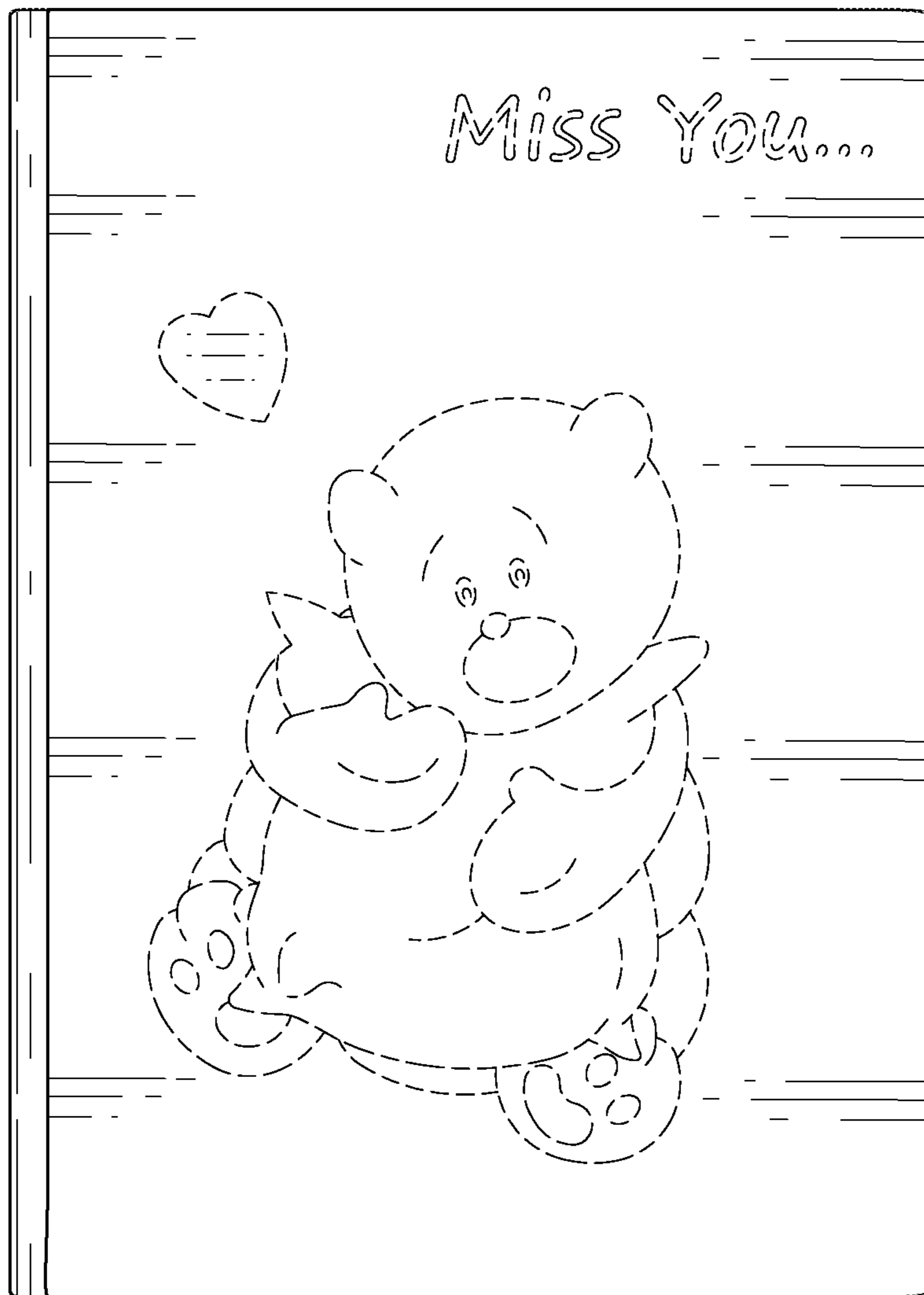


FIG. 6

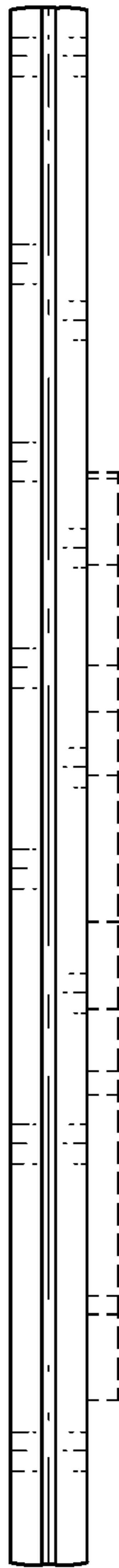


FIG. 7



FIG. 8

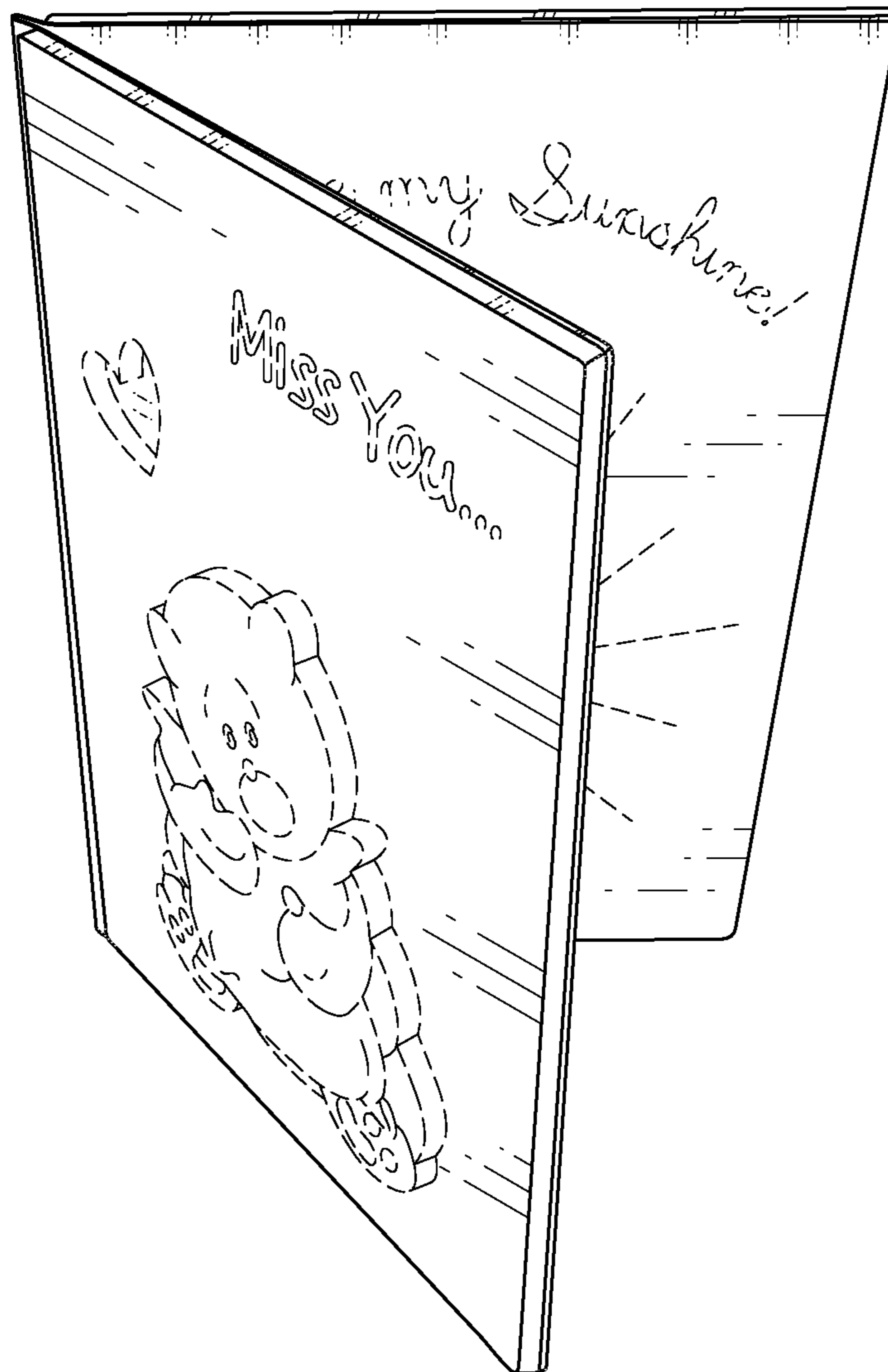


FIG. 9

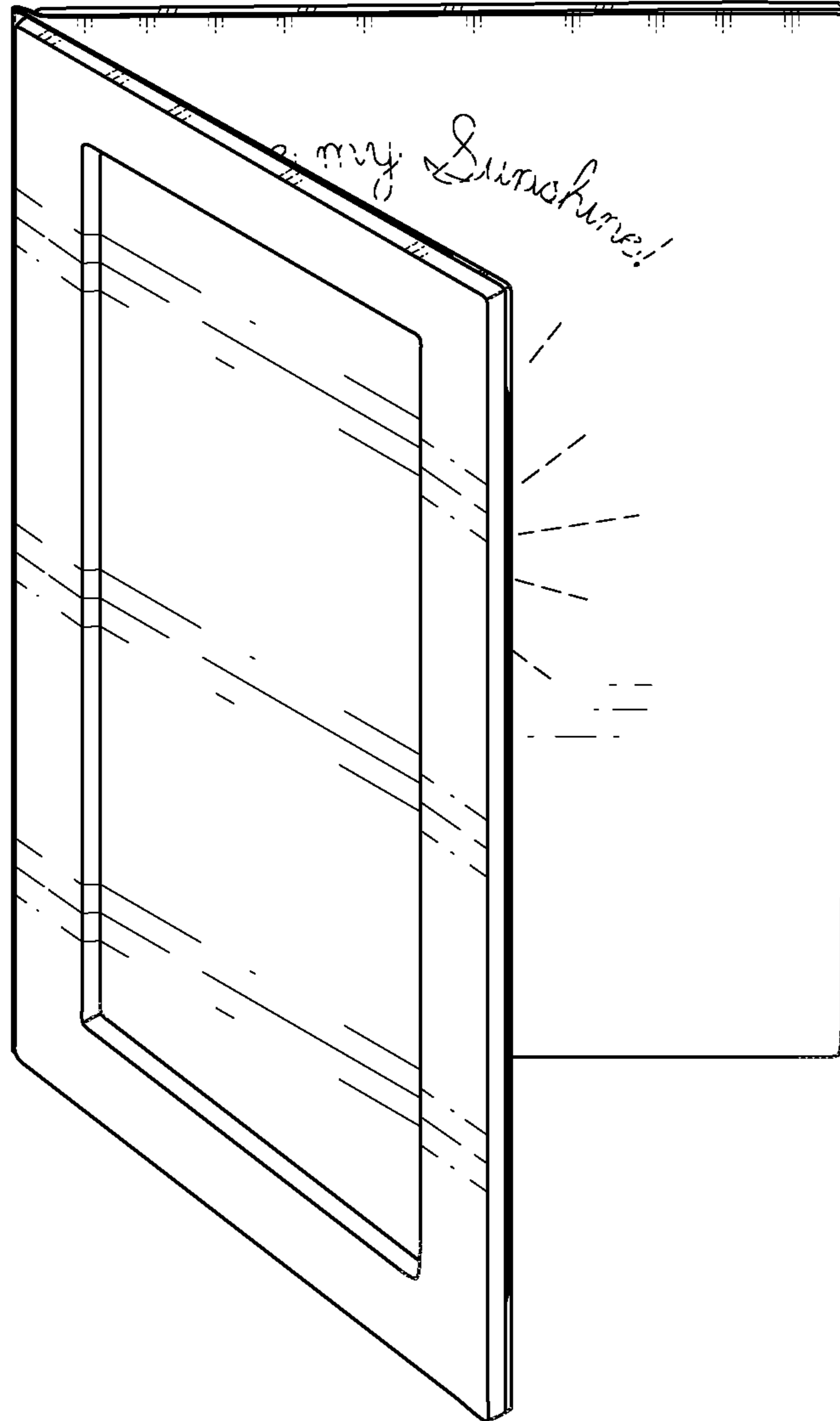


FIG. 10

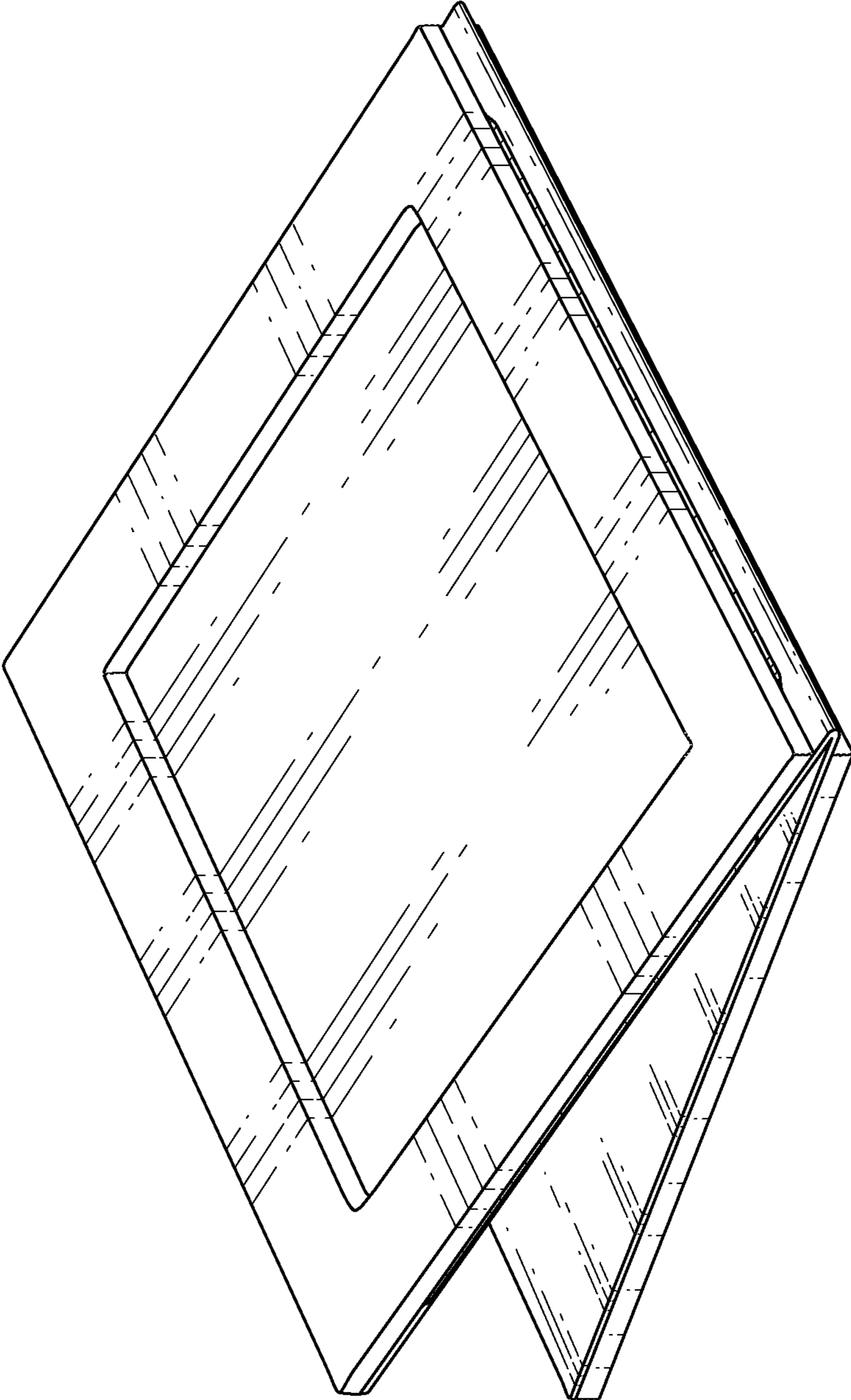


FIG. 11

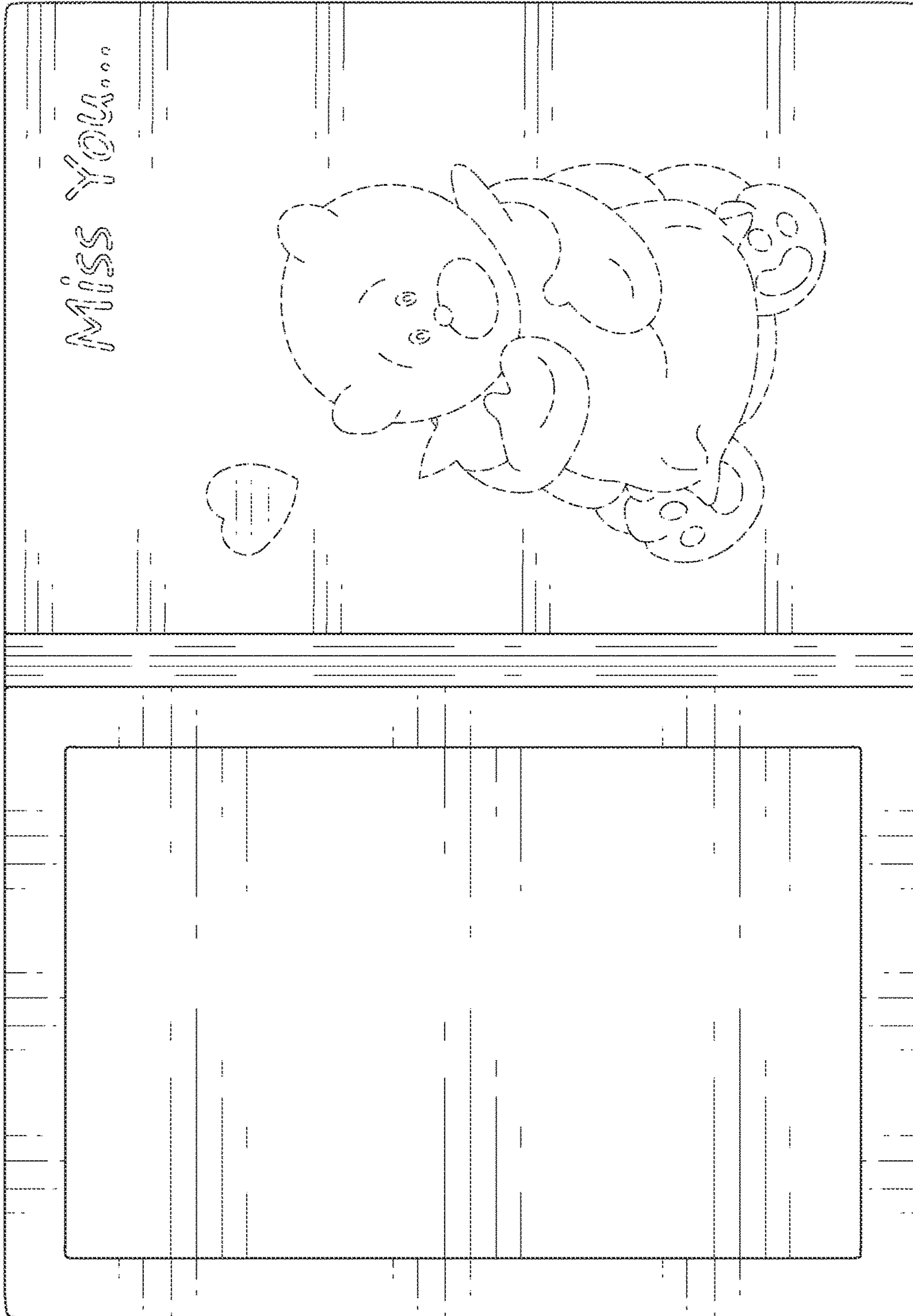


FIG. 12