



US00D965674S

(12) **United States Design Patent**  
**Maple et al.**

(10) **Patent No.:** **US D965,674 S**  
(45) **Date of Patent:** **\*\* Oct. 4, 2022**

(54) **PRINTER**

FOREIGN PATENT DOCUMENTS

(71) Applicant: **Hewlett-Packard Development Company, L.P.**, Spring, TX (US)

JP 2006001085 1/2006  
JP 2008133112 6/2008  
WO D086572-007 \* 12/2015

(72) Inventors: **Wade Andrew Farris Maple**, Vancouver, WA (US); **Yanhan Li**, Shanghai (CN); **Jiixin Wang**, Singapore (SG); **Tian Chunyu**, Singapore (SG)

OTHER PUBLICATIONS

HP LaserJet M209dwe Wireless Black-and-White Laser Printer, p. 2, 2021—Best Buy—29725999,29725995 (Year: 2021).\*

(Continued)

(73) Assignee: **Hewlett-Packard Development Company, L.P.**, Spring, TX (US)

*Primary Examiner* — Jennifer L Rempfer  
*Assistant Examiner* — Danielle Nichole Bowly  
(74) *Attorney, Agent, or Firm* — Michael Dryja

(\*\*) Term: **15 Years**

(57) **CLAIM**

(21) Appl. No.: **29/725,995**

The ornamental design for a printer, as shown and described.

(22) Filed: **Feb. 28, 2020**

**DESCRIPTION**

(51) **LOC (13) Cl.** ..... **14-02**

(52) **U.S. Cl.**  
USPC ..... **D18/53**

(58) **Field of Classification Search**  
USPC ... D18/4.1, 4.4, 4.6, 34.1, 6, 7, 14, 19, 34.3, D18/34.7, 34.8, 34.9, 36, 37, 38, 39, 46, D18/47, 48, 49, 50, 53, 54, 55, 56, 59; D14/300, 301, 302, 303, 307, 308, 314, D14/321, 365, 445, 446; D6/514, 672  
CPC ..... H04N 1/00278; B26D 1/065; B26D 1/45; B41J 15/044; B41J 2/1752; B41J 29/02; B41J 29/08; B41J 17/00; B41J 15/42; B41J 15/12; B41J 11/58; B41J 3/4075; B29C 47/12

FIG. 1 is a perspective view of a printer.  
FIG. 2 is a top view of the printer of FIG. 1.  
FIG. 3 is a right side view of the printer of FIG. 1.  
FIG. 4 is a left side view of the printer of FIG. 1.  
FIG. 5 is a front view of the printer of FIG. 1.  
FIG. 6 is a back view of the printer of FIG. 1.  
FIG. 7 is a perspective view of the printer of FIG. 1 in which the output tray has been extended.  
FIG. 8 is a top view of the printer of FIG. 1 in which the output tray has been extended.  
FIG. 9 is a right side view of the printer of FIG. 1 in which the output tray has been extended.  
FIG. 10 is a left side view of the printer of FIG. 1 in which the output tray has been extended.  
FIG. 11 is a front view of the printer of FIG. 1 in which the output tray has been extended; and,  
FIG. 12 is a back view of the printer of FIG. 1 in which the output tray has been extended.

See application file for complete search history.

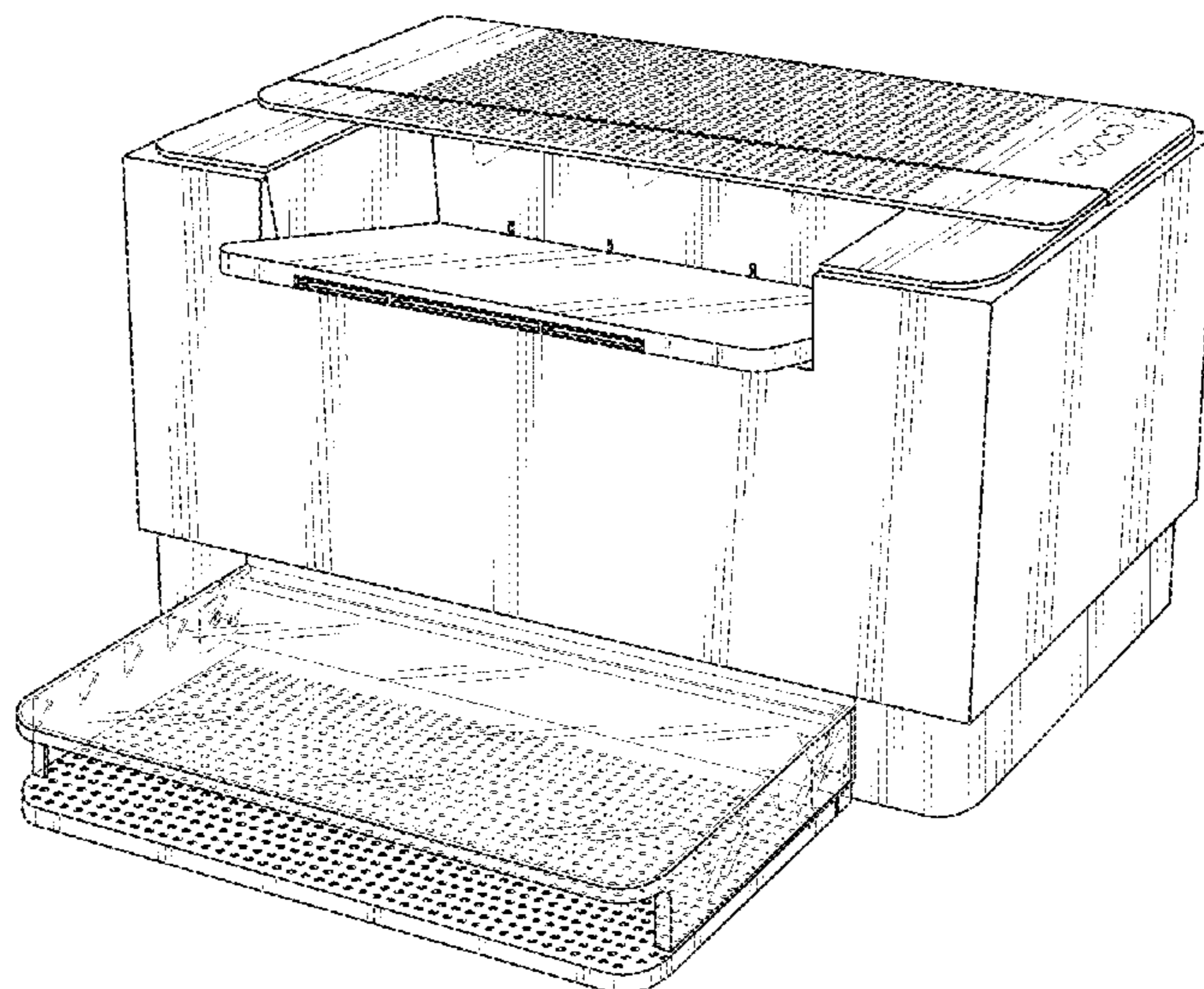
Any portions shown in broken lines in the figure are for illustrative purposes only and form no part of the claimed design.

(56) **References Cited**

U.S. PATENT DOCUMENTS

D329,870 S \* 9/1992 Hanasaki ..... D18/37  
D421,455 S \* 3/2000 Kobayashi ..... D18/54  
(Continued)

**1 Claim, 12 Drawing Sheets**



(56)

**References Cited**

## U.S. PATENT DOCUMENTS

D427,235 S \* 6/2000 Kaseno ..... D18/54  
6,089,772 A 7/2000 Takemura et al.  
D483,061 S \* 12/2003 Wong ..... D18/55  
D494,215 S \* 8/2004 Evers ..... D18/55  
D516,120 S \* 2/2006 Yamano ..... D18/55  
D521,059 S 5/2006 Richtsmeier et al.  
D528,158 S \* 9/2006 Watarai ..... D18/56  
D555,194 S \* 11/2007 Smith ..... D18/55  
D631,479 S \* 1/2011 Komuro ..... D14/422  
D660,908 S 5/2012 Lemar et al.  
D681,107 S 4/2013 Larson et al.  
D722,338 S \* 2/2015 So ..... D18/50  
D752,143 S 3/2016 So et al.  
D757,164 S \* 5/2016 Hiraga ..... D18/50  
9,561,920 B1 2/2017 Wilsher et al.  
D817,391 S \* 5/2018 Chin ..... D18/55  
D818,533 S \* 5/2018 Su ..... D18/55  
D837,290 S \* 1/2019 Umezawa ..... D18/19  
D853,479 S \* 7/2019 Francke ..... D18/55  
D899,515 S \* 10/2020 Kim ..... D18/50  
11,148,425 B2 \* 10/2021 Sawadaishi ..... B41J 2/17553  
2014/0334834 A1 11/2014 Katsuyama

## OTHER PUBLICATIONS

HP P1505 Laserjet Printer, Amazon.com accessed Nov. 1, 2019, date first listed Aug. 22, 2003 <https://www.amazon.com/HP-CB412A-ABA-Laserjet-Printer/dp/B000YTNY5U>.

Needleman, T., "Xerox Phaser 6010 review", Oct. 2, 2013, <https://www.digitaltrends.com/printer-reviews/xerox-phaser-6010-review/>.

\* cited by examiner



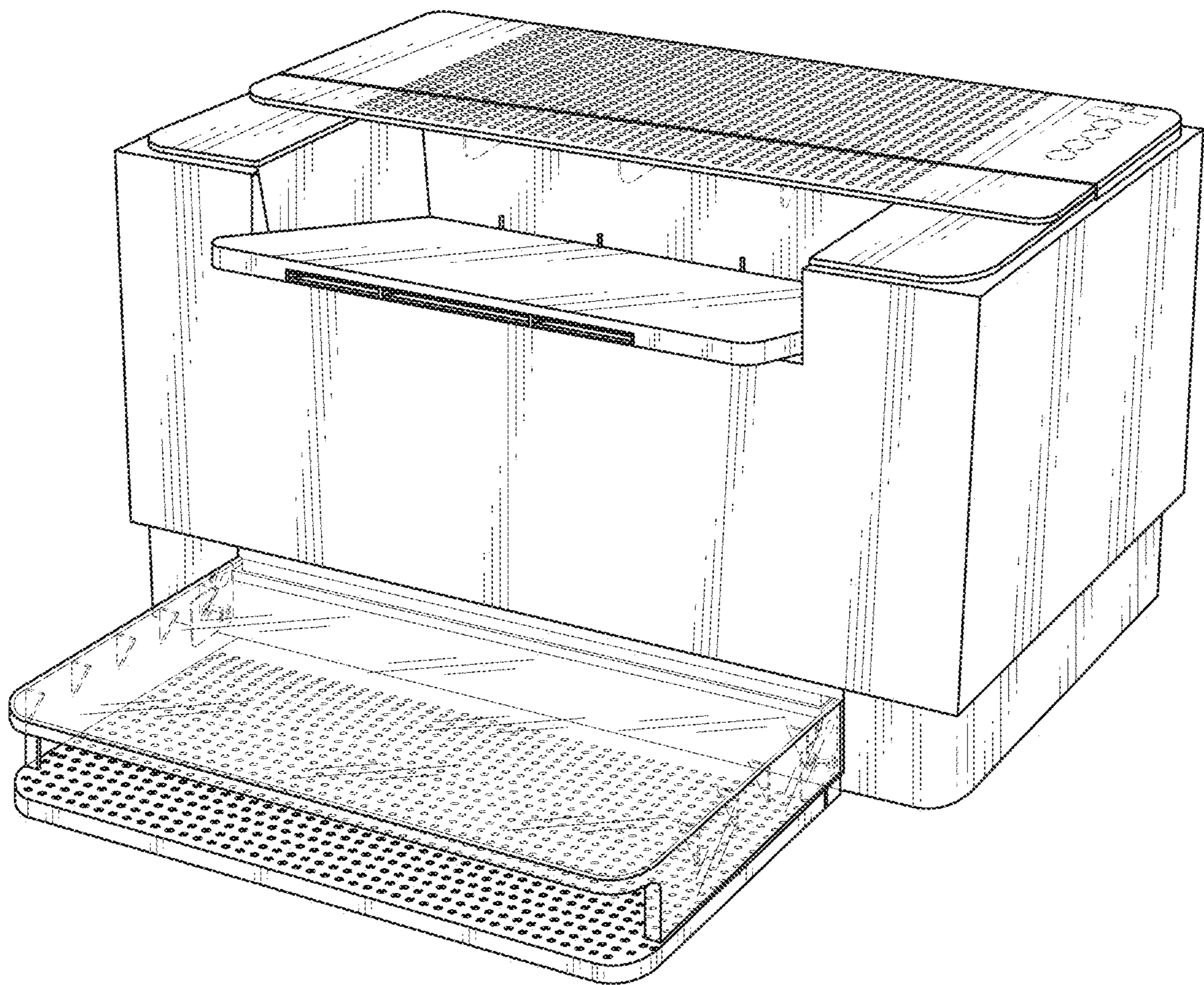


FIG. 1

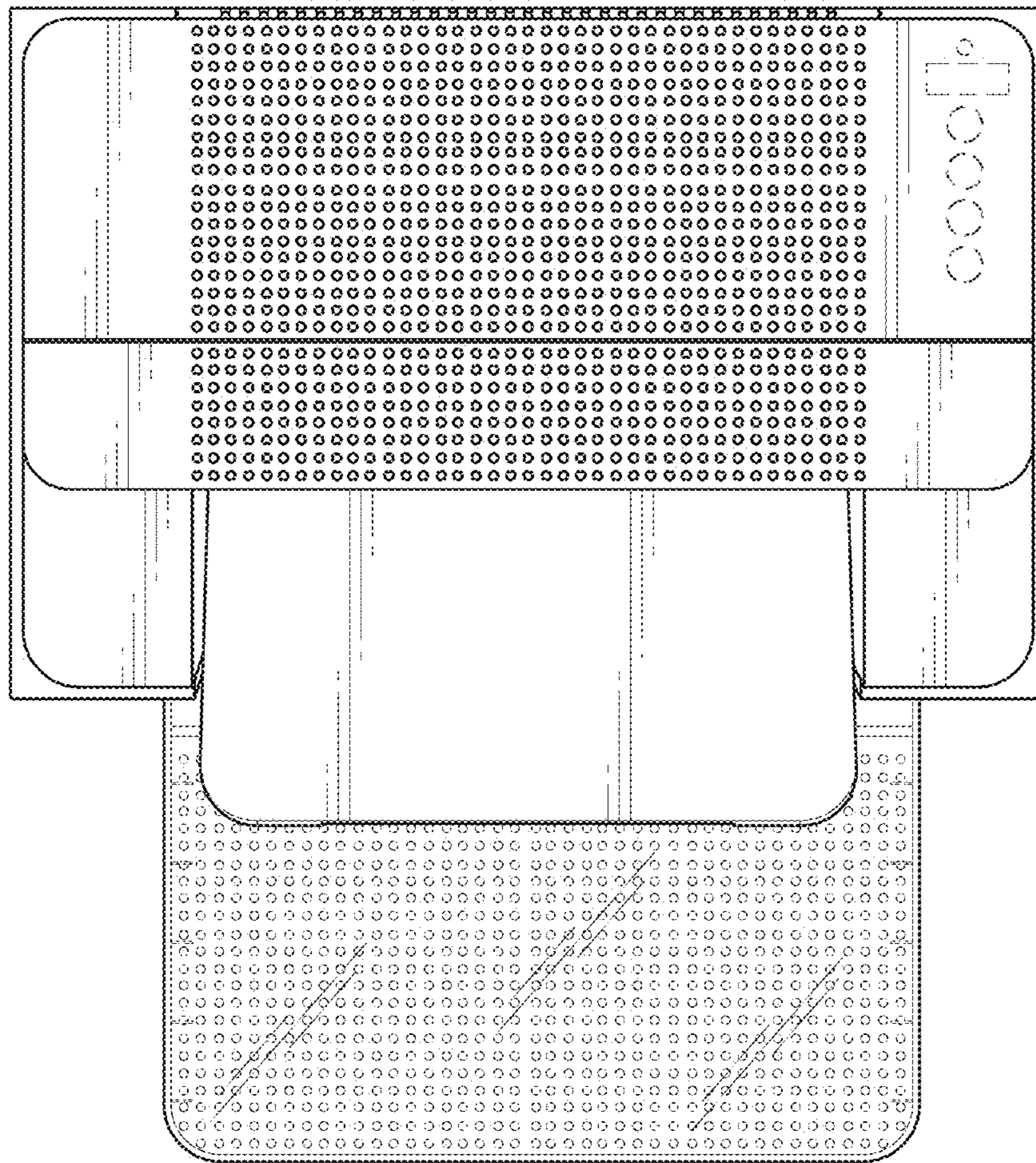


FIG. 2

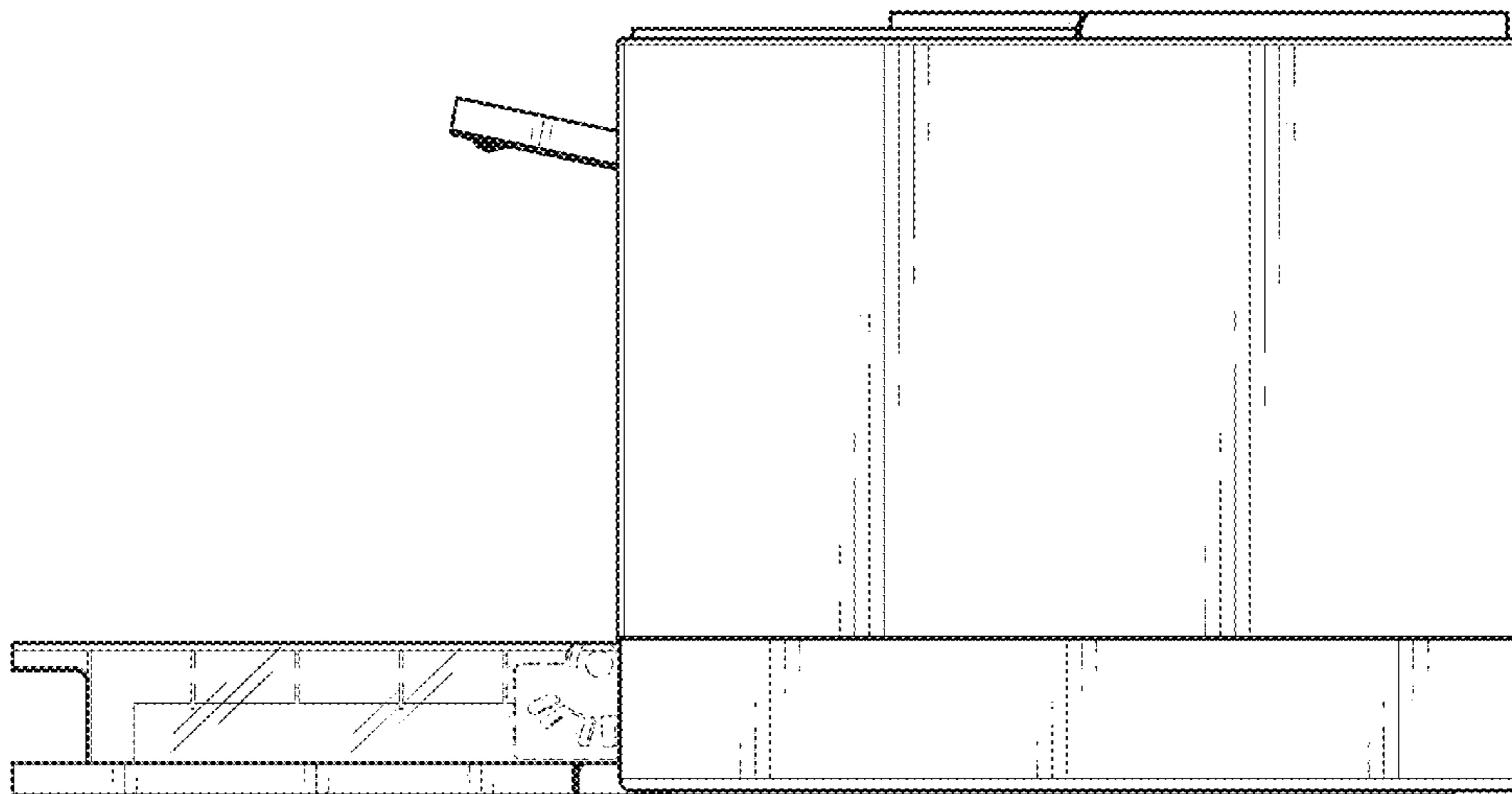


FIG. 3

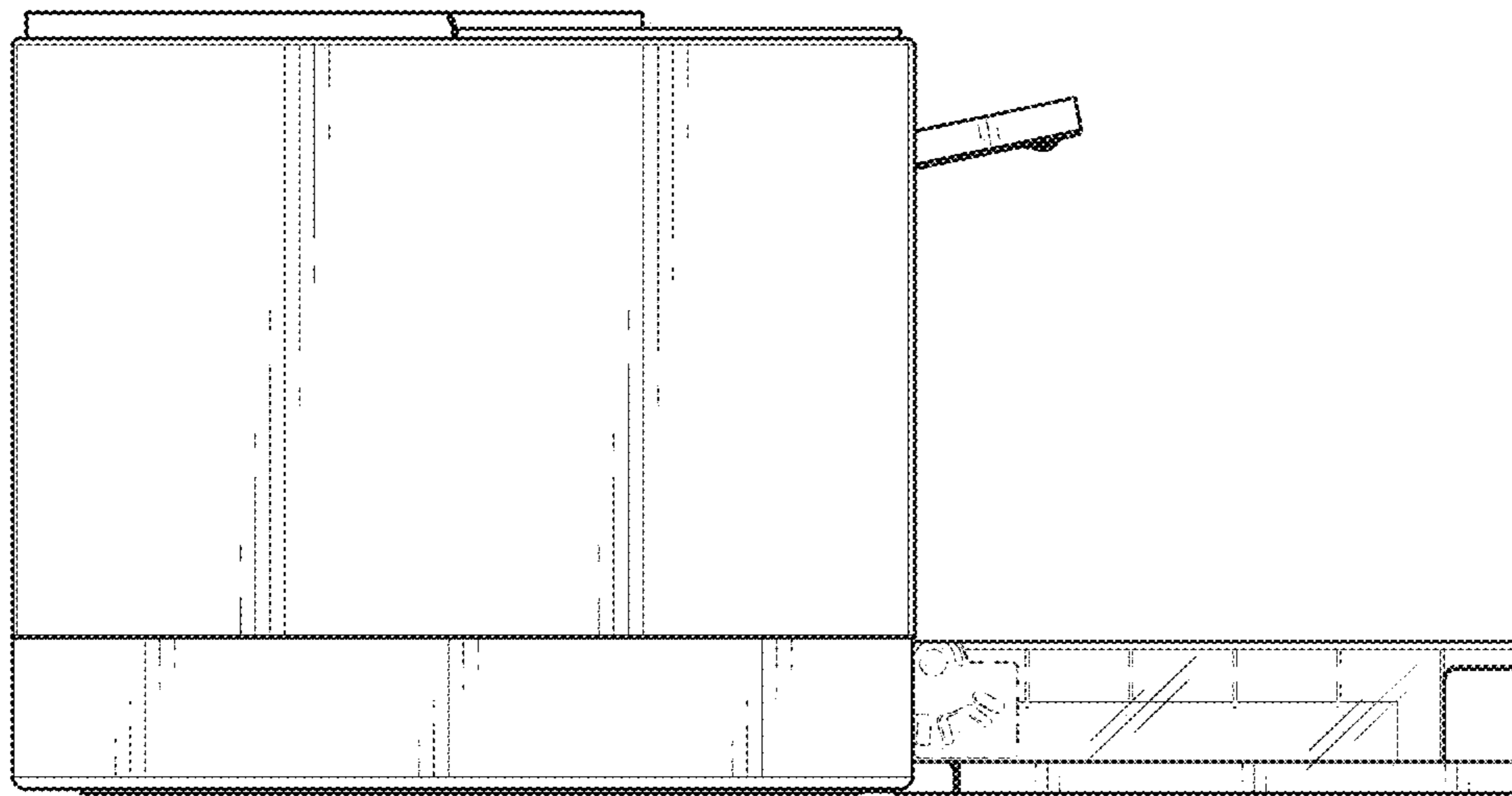


FIG. 4

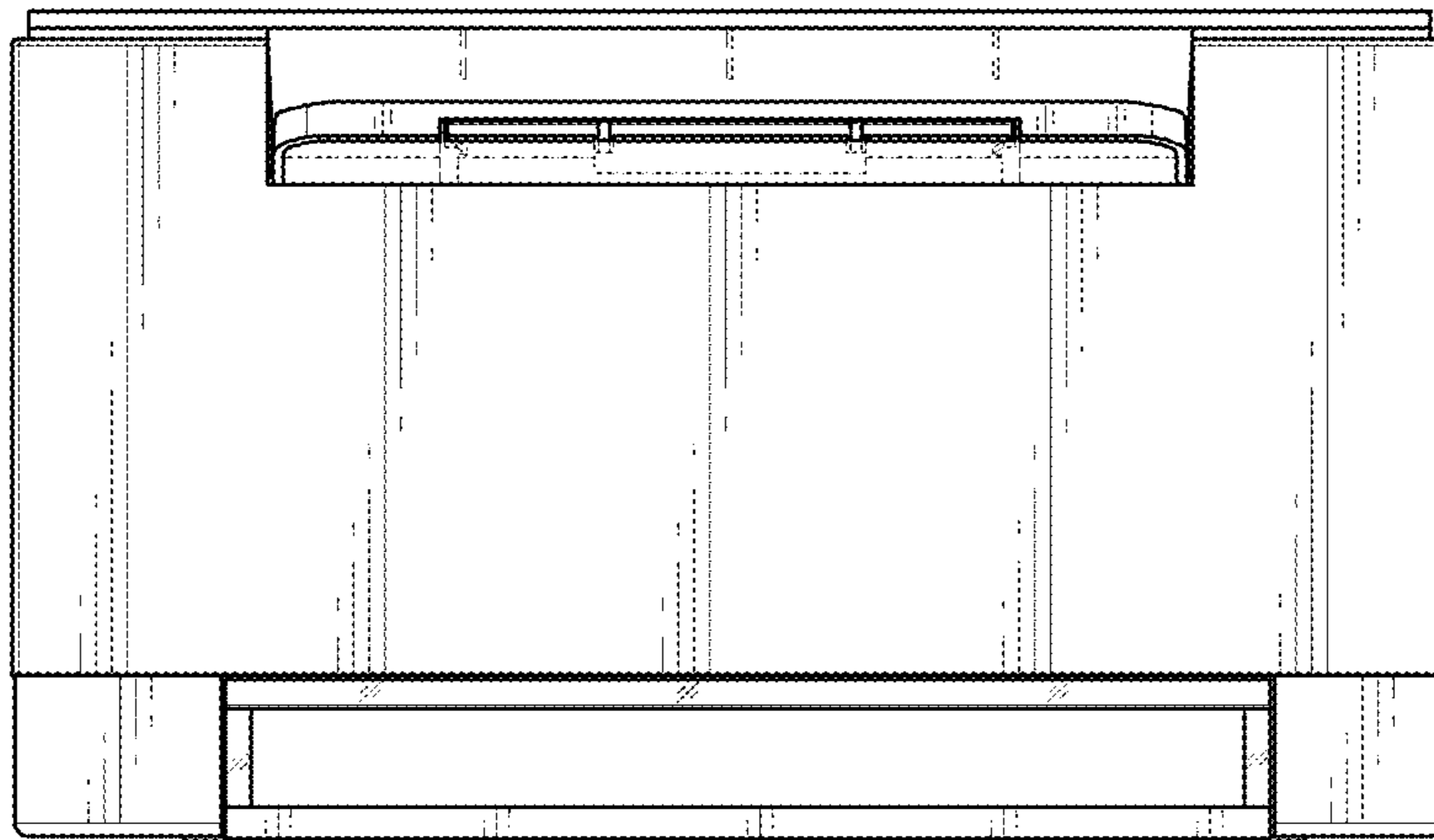


FIG. 5



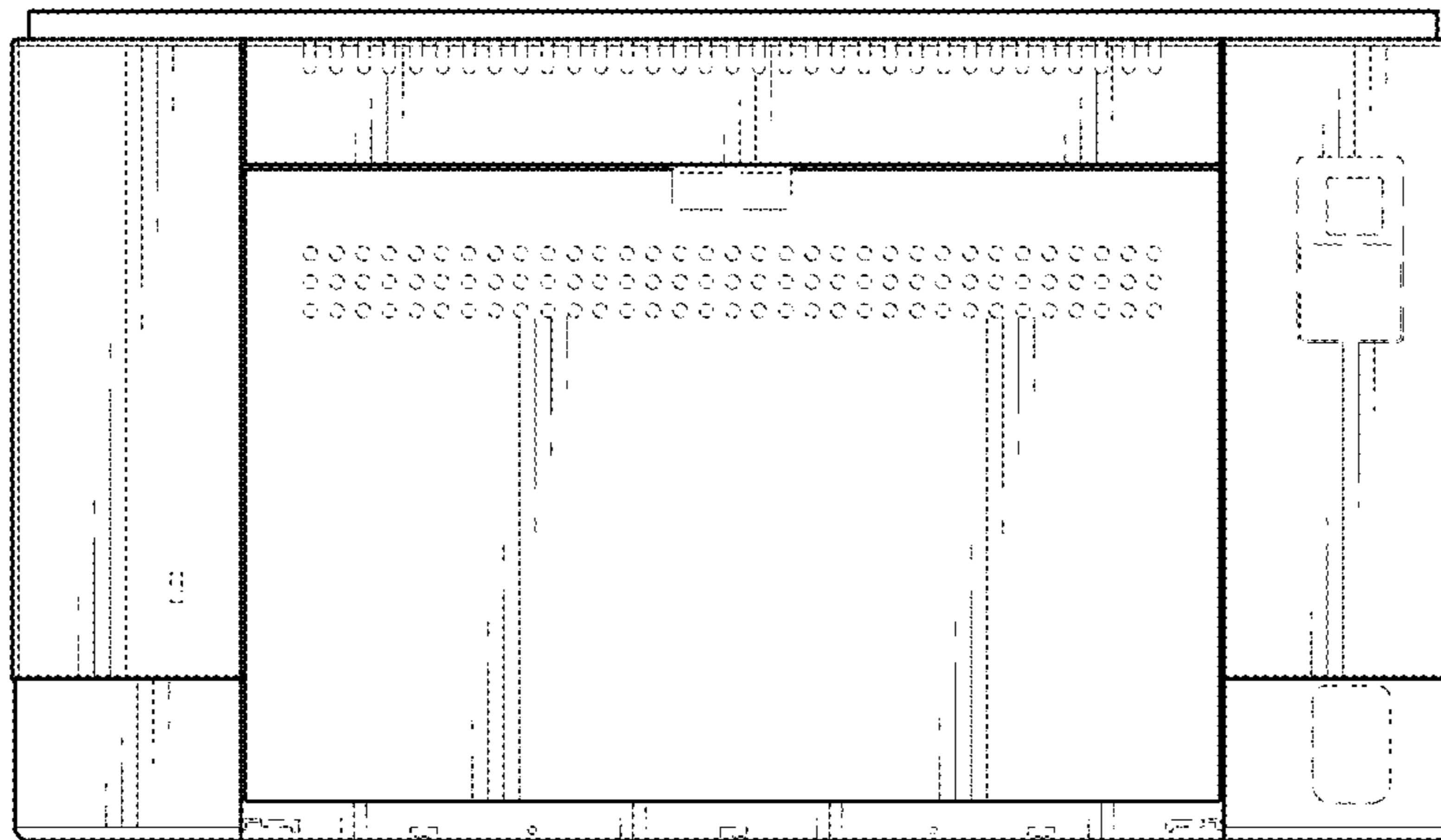


FIG. 6



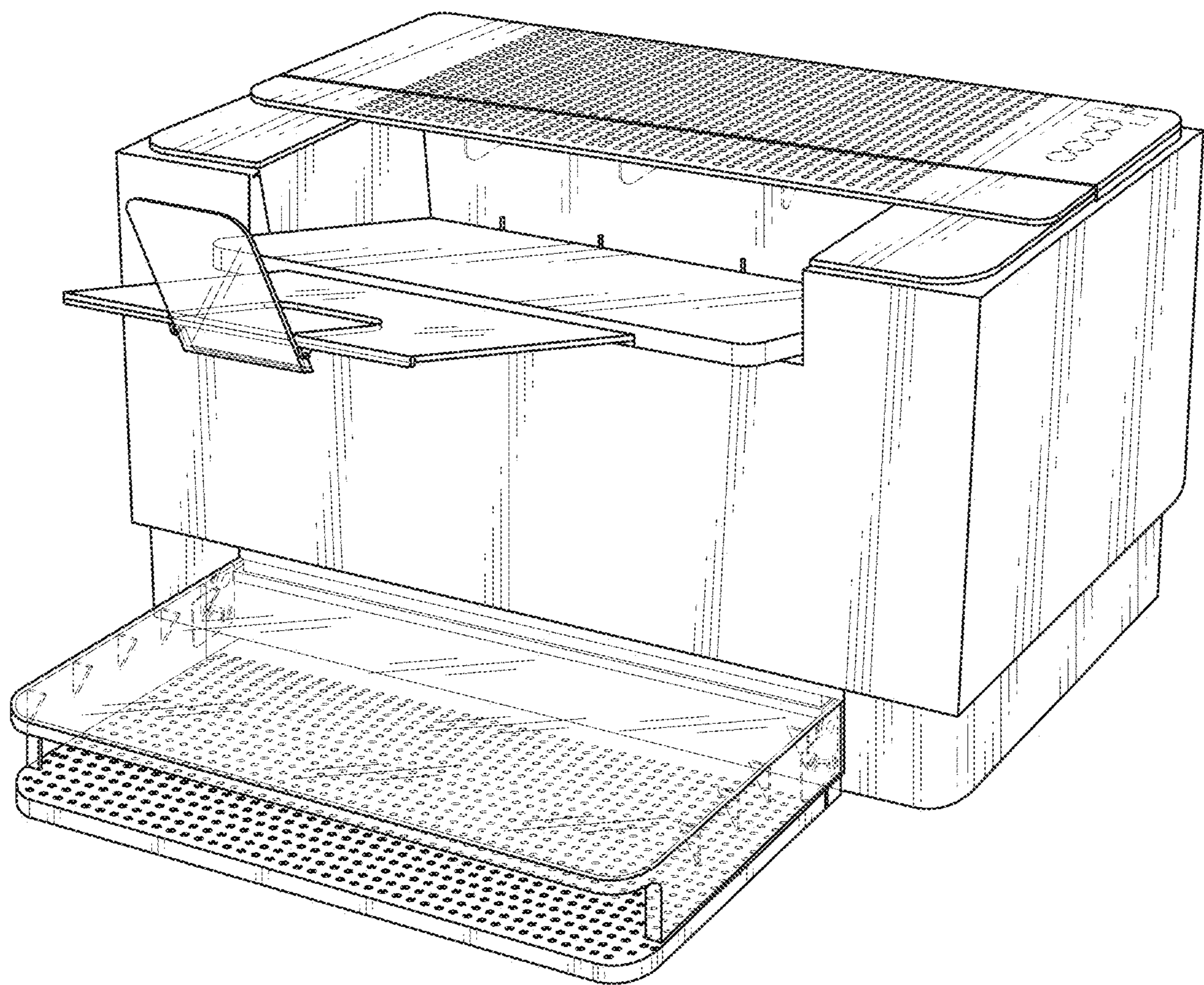


FIG. 7

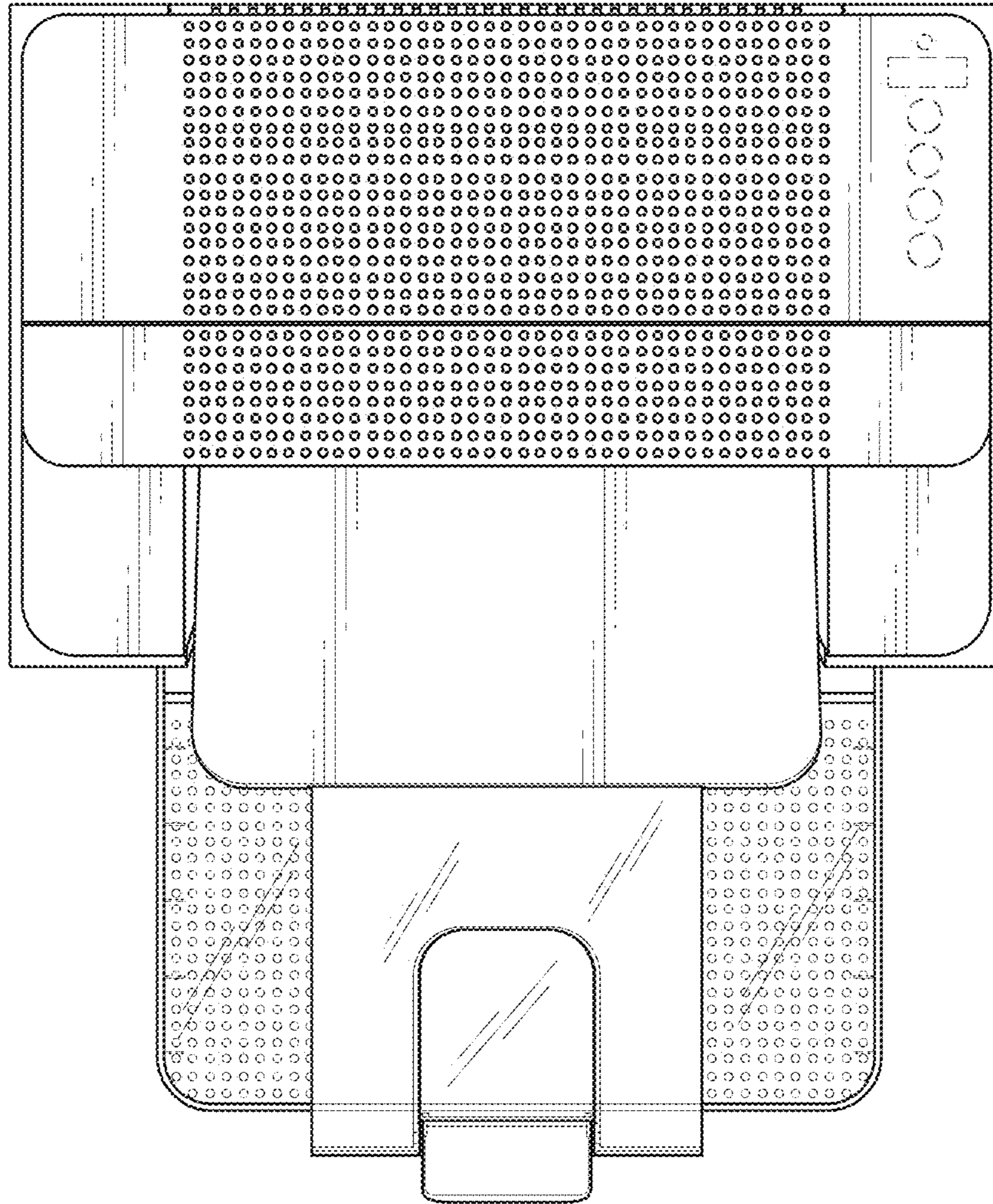


FIG. 8

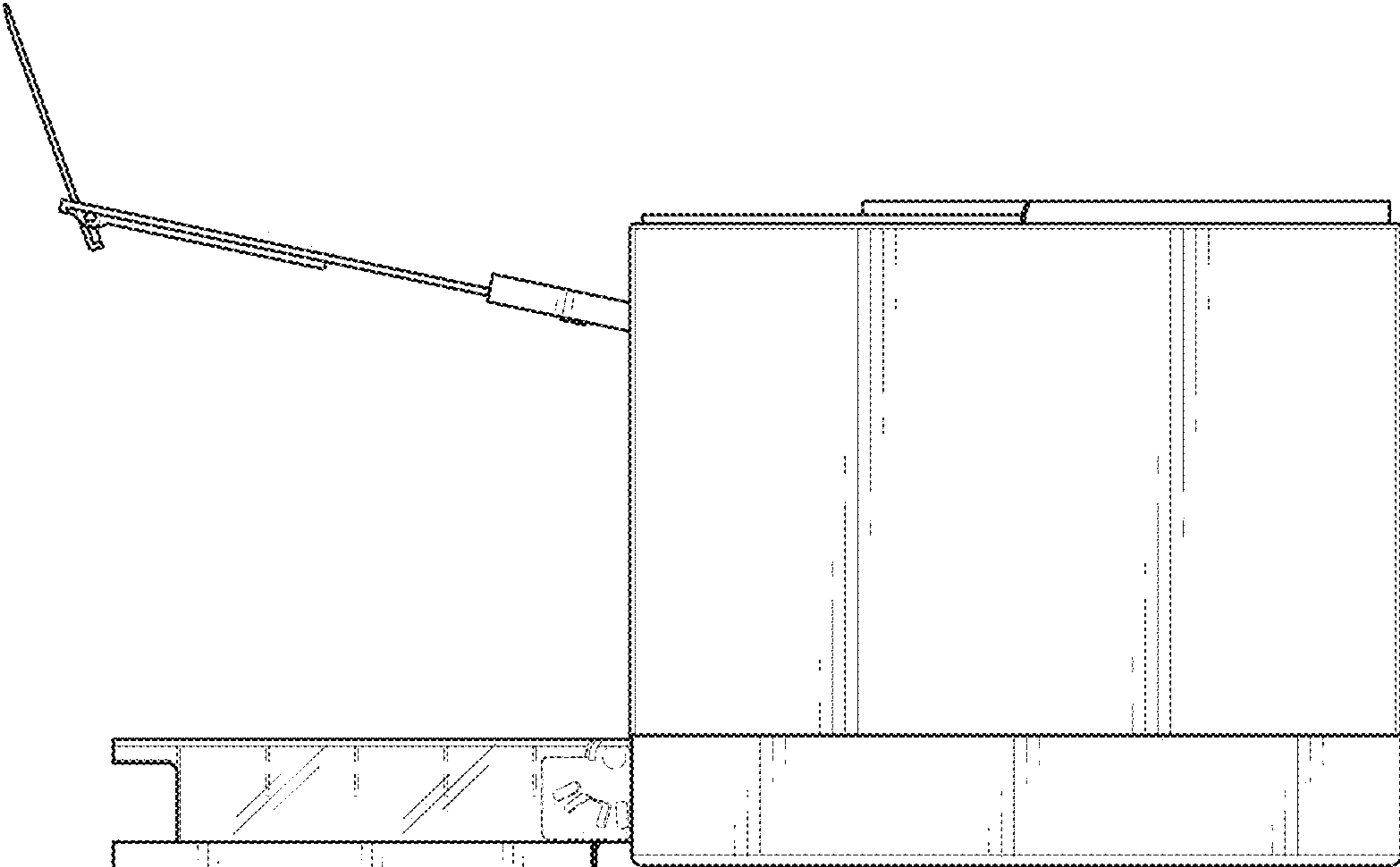


FIG. 9

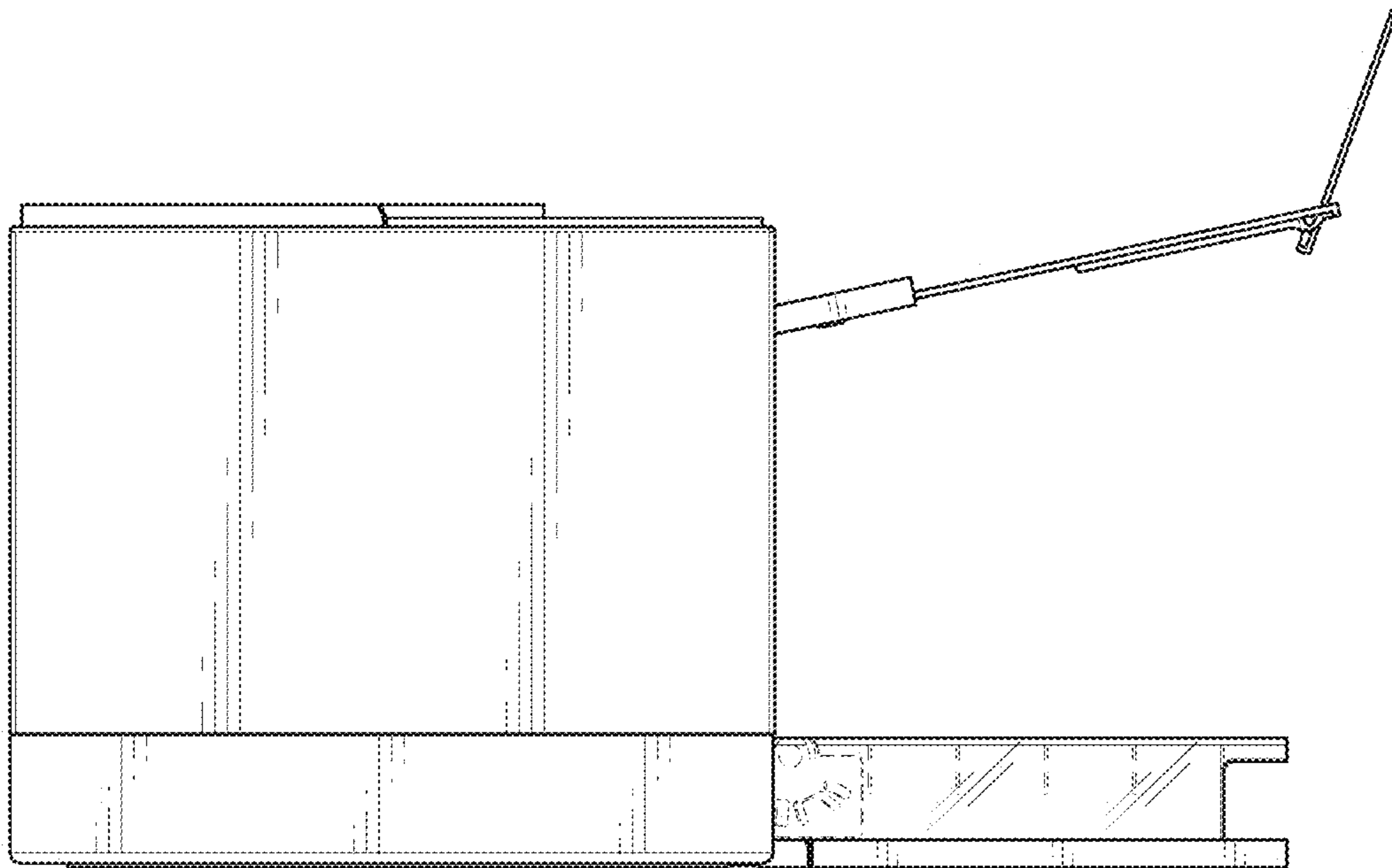


FIG. 10



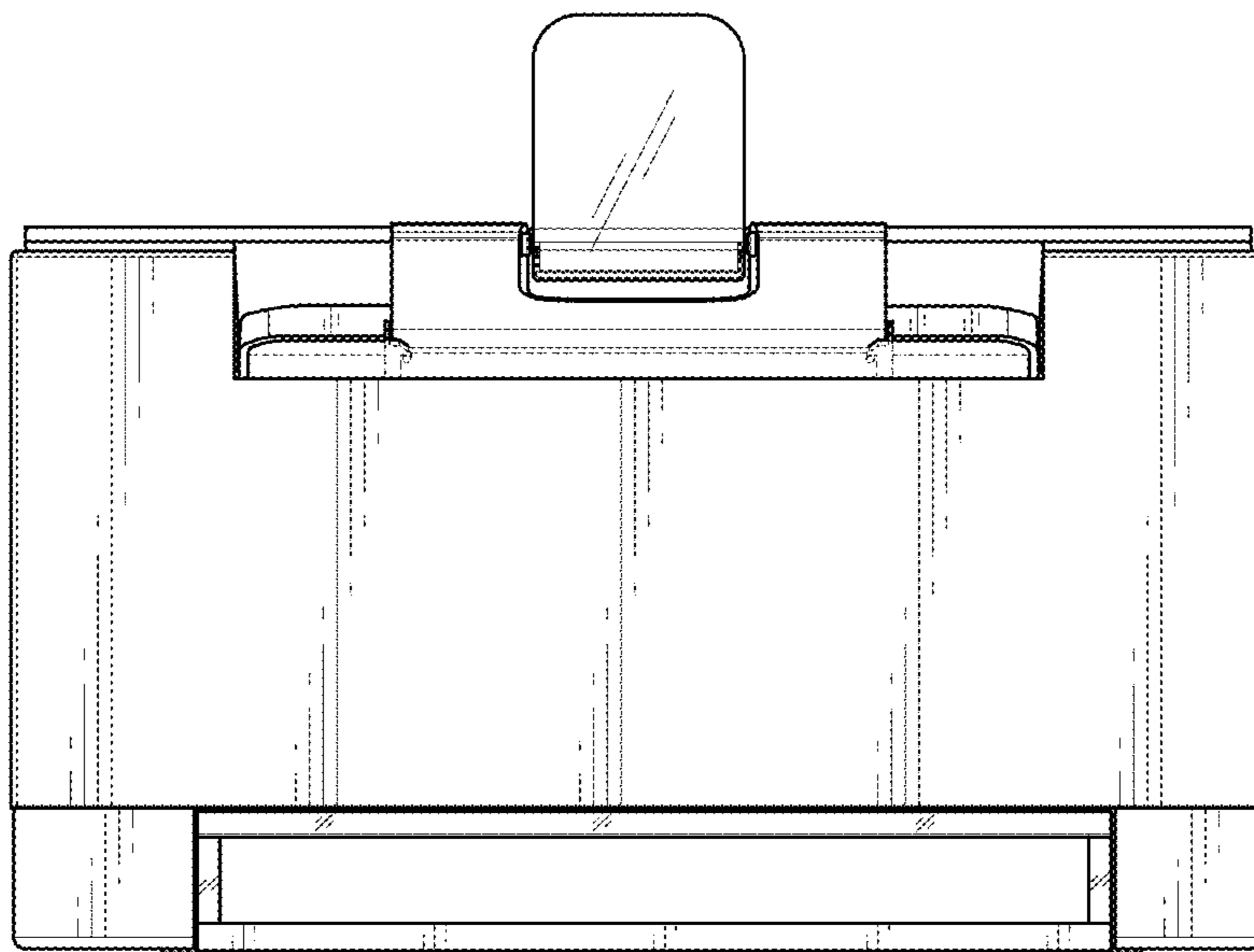


FIG. 11

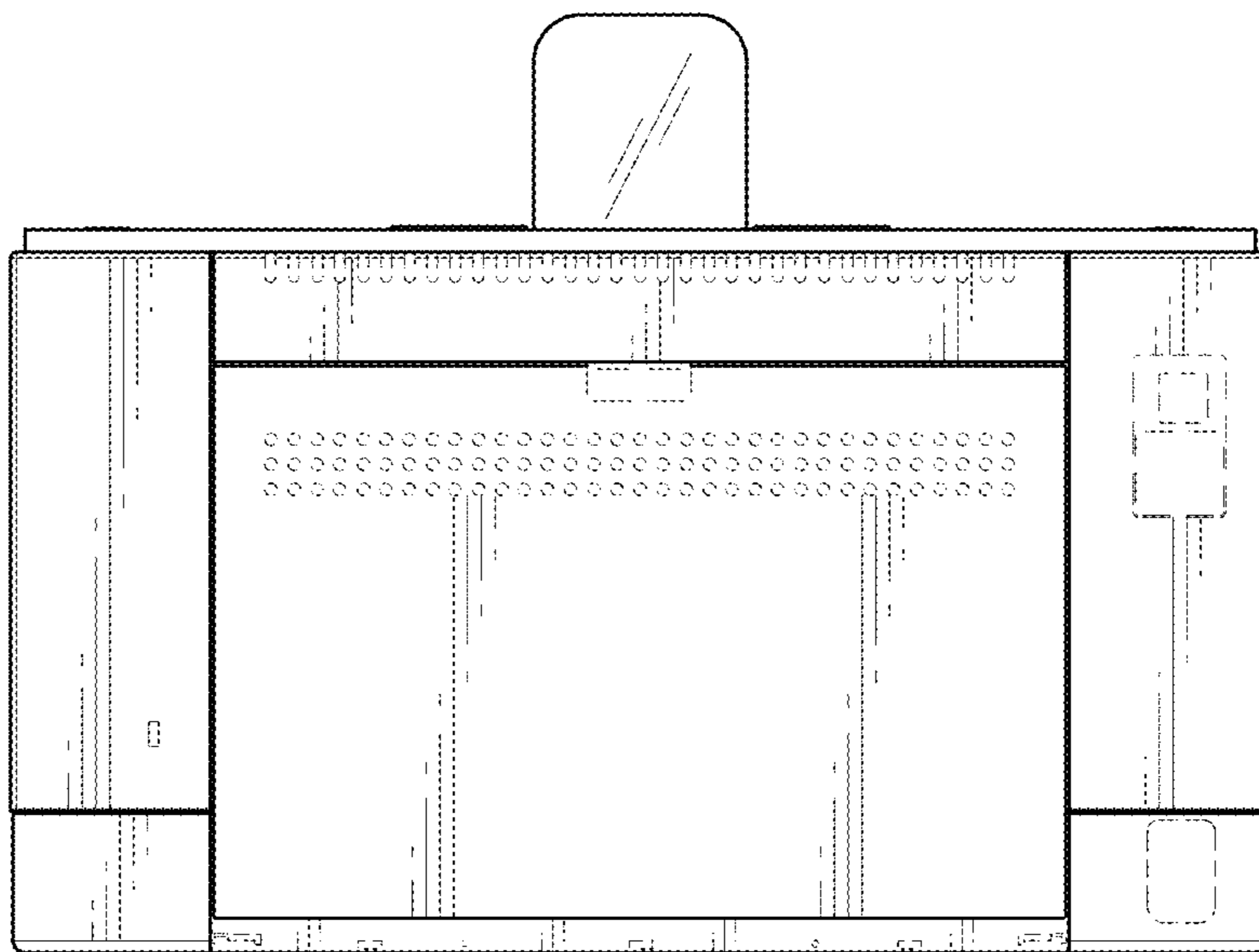


FIG. 12