



US00D965671S

(12) **United States Design Patent** (10) **Patent No.:** **US D965,671 S**
Huang (45) **Date of Patent:** **** Oct. 4, 2022**

(54) **BINOCULARS TRIPOD ADAPTER**

D900,906 S * 11/2020 Overfelt D16/136
11,048,073 B2 * 6/2021 Overfelt G02B 23/18
2014/0071339 A1 * 3/2014 Baker G03B 17/48
348/373

(71) Applicant: **SHENZHEN YOUKEHUWAI TECHNOLOGY CO., LTD.**, Shenzhen (CN)

(Continued)

(72) Inventor: **Hongwei Huang**, Zhuhai (CN)

FOREIGN PATENT DOCUMENTS

(73) Assignee: **SHENZHEN YOUKEHUWAI TECHNOLOGY CO., LTD.**, Shenzhen (CN)

CA 187504 * 3/2021
CN 301769426 * 12/2011

(Continued)

(**) Term: **15 Years**

OTHER PUBLICATIONS

(21) Appl. No.: **29/764,396**

Staoptics Binocular Tripod Adapter, product available Mar. 30, 2021 [online], pictured review Apr. 25, 2021 [online], [site visited May 17, 2022]: URL:<https://www.amazon.com/gp/product/B08XTT99RG/ref=ox_sc_act_title_1?smid=A1I11O8WTPIIU5&th=1> (Year: 2021).*

(22) Filed: **Dec. 30, 2020**

(51) **LOC (13) Cl.** **16-05**

(52) **U.S. Cl.**
USPC **D16/245**

(Continued)

(58) **Field of Classification Search**
USPC D16/136, 211, 214, 219, 235, 236, 237, D16/241, 242, 243, 245, 250, 334; D8/352, 353, 354, 381, 382, 387, 394; D14/217, 240, 432, 447, 451
CPC .. G03B 17/561; G03B 17/563; G03B 17/566; G03B 17/565; F16M 11/041; F16M 11/06; F16M 11/043; F16M 11/04; H04N 5/2254; G02B 7/00; G02B 23/18
See application file for complete search history.

Primary Examiner — Bao-Yen T Nguyen
Assistant Examiner — Loryn K. Leblanc

(57) **CLAIM**

The ornamental design for a binoculars tripod adapter, as shown and described.

DESCRIPTION

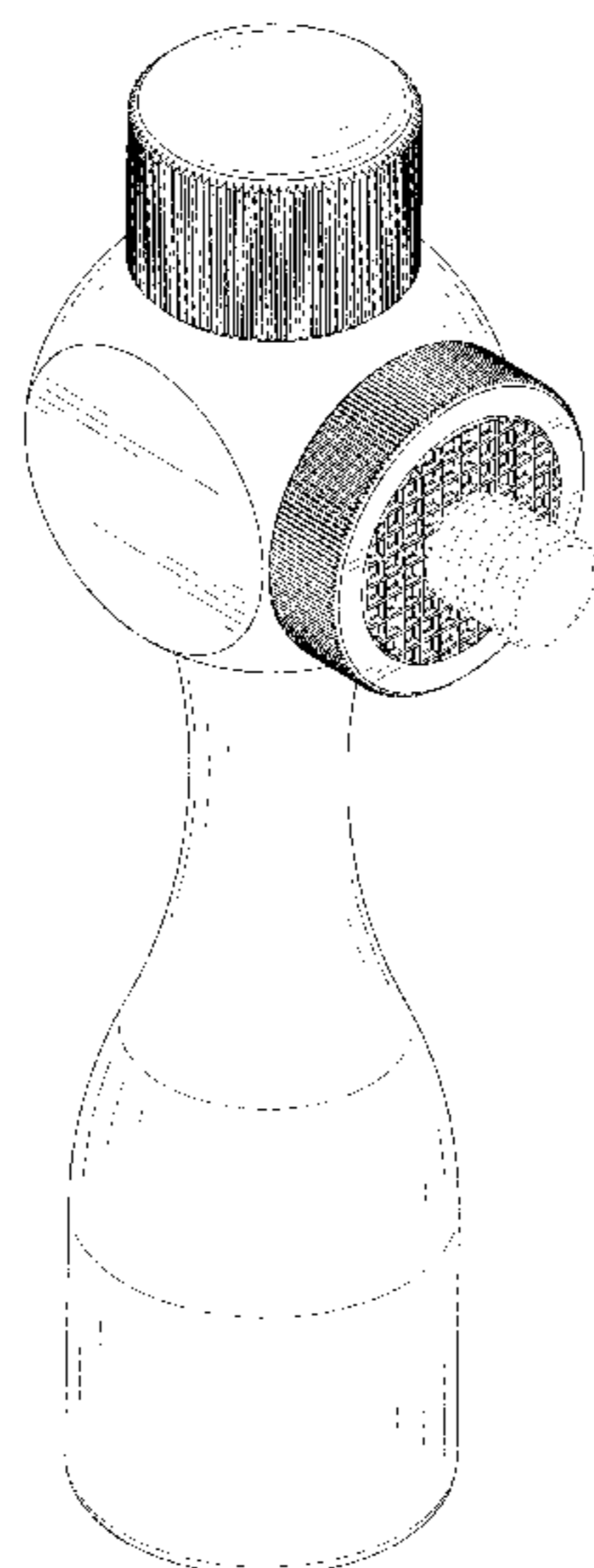
FIG. 1 is a perspective view of a binoculars tripod adapter showing my new design;
FIG. 2 is another perspective view thereof;
FIG. 3 is a front elevational view thereof;
FIG. 4 is a rear elevational view thereof;
FIG. 5 is a left side elevational view thereof;
FIG. 6 is a right side elevational view thereof;
FIG. 7 is a top plan view thereof; and,
FIG. 8 is a bottom plan view thereof.
The broken lines in the drawings depict portions of the binoculars tripod adapter that form no part of the claimed design.

(56) **References Cited**

U.S. PATENT DOCUMENTS

7,905,459 B2 * 3/2011 Cameron G02B 23/18
248/176.1
8,817,178 B2 * 8/2014 Baker G02B 23/18
396/428
D713,440 S * 9/2014 Zhan D16/237
D767,664 S * 9/2016 Polito D16/242
D886,892 S * 6/2020 Voss D16/242
10,684,462 B1 * 6/2020 Bentley G02B 23/18

1 Claim, 8 Drawing Sheets



(56)

References Cited

U.S. PATENT DOCUMENTS

2020/0333579 A1* 10/2020 Overfelt G02B 23/18

FOREIGN PATENT DOCUMENTS

| | | | |
|----|----------------|---|---------|
| CN | 302579016 | * | 9/2013 |
| CN | 305483492 | * | 12/2019 |
| CN | 306522509 | * | 5/2021 |
| CN | 202030818791.5 | * | 5/2021 |
| CN | 306929239 | * | 11/2021 |

OTHER PUBLICATIONS

Staoptics Binocular Tirpod Adapter Quick Release, product available Aug. 10, 2021 [online], pictured review Oct. 3, 2021 [online], [site visited May 17, 2022]:URL:<https://www.amazon.com/gp/product/B099WVTP7X/ref=sw_img_1?smid=A1I11O8WTPIU5&th=1> (Year: 2021).*

Vortex Sport Binocular Tripod Adapter, product availability date unknown [online], no video/pictured review [online], [site visited May 17, 2022]:URL:<https://www.bhphotovideo.com/c/product/1614224-REG/vortex_tra_bindap2_sport_binocular_adapter.html> (Year: 2022).*

Vortex Uni-Daptor Binocular Tripod Adapter, product availability date unknown [online], no video/pictured review [online], [site visited May 17, 2022]:URL:<https://www.bhphotovideo.com/c/product/676624-USA/Vortex_UNI_DAP_Uni_Daptor_Binocular_Tripod_Adapter.html> (Year: 2022).*

Bushnell Tripod Adapter for Binocular, product availability date unknown [online], no video/pictured review [online], [site visited

May 17, 2022]:URL:<https://www.bhphotovideo.com/c/product/911025-REG/bushnell_161002cm_tripod_adapter_black.html> (Year: 2022).*

Bushnell Quick Release Binocular Tripod Adapter, product availability date unknown [online], no video/pictured review [online], [site visited May 17, 2022]:URL:<https://www.bhphotovideo.com/c/product/1489707-REG/bushnell_bahqradpt_quick_release_bino_tripod.html> (Year: 2022).*

Carson TA-50 Binocular Tripod Adapter, product availability date unknown [online], no video/pictured review [online], [site visited May 17, 2022]:URL:<https://www.bhphotovideo.com/c/product/1132231-REG/carson_ta_50_binotripod_adapter.html> (Year: 2022).*

Nikon Monarch Binocular Tripod Adaptor, product availability date unknown [online], no video/pictured review [online], [site visited May 17, 2022]:URL:<https://www.bhphotovideo.com/c/product/482981-REG/Nikon_8177_Tripod_Adapter_for_Binoculars.html> (Year: 2022).*

Barska Binocular Tripod Adapter, product availability date unknown [online], no video/pictured review [online], [site visited May 17, 2022]:URL:<https://www.bhphotovideo.com/c/product/823282-REG/BARSKA_AF10546_Binocular_Tripod_Adaptor.html> (Year: 2022).*

Swarovski TAs-SLC Binocular Tripod Adapter for SLC-Series, product availability date unknown [online], no video/pictured review [online], [site visited May 17, 2022]:URL:<https://www.bhphotovideo.com/c/product/1450212-REG/swarovski_49190_tas_slc_tripod_adapter_arca.html> (Year: 2022).*

Celestron Binocular Tripod Adapter, product availability date unknown [online], no video/pictured review [online], [site visited May 17, 2022]:URL:<https://www.bhphotovideo.com/c/product/681964-REG/Celestron_93524_Tripod_Adapter.html> (Year: 2022).*

* cited by examiner

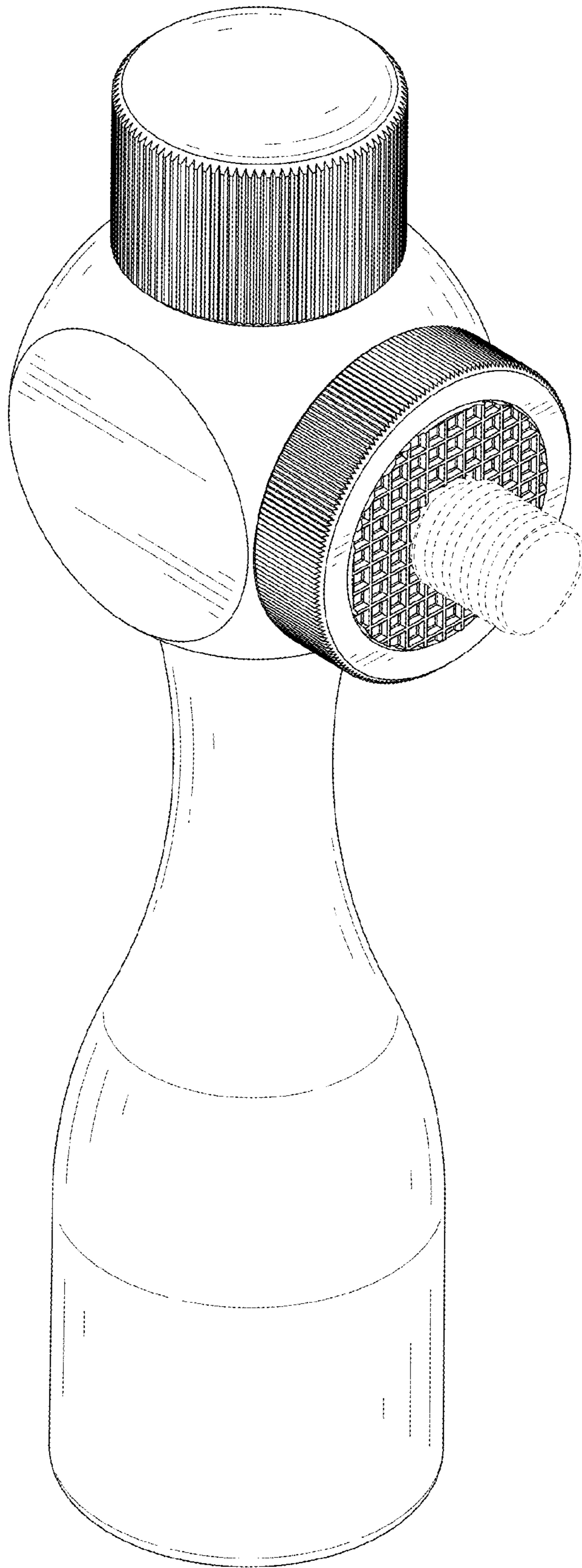


FIG. 1

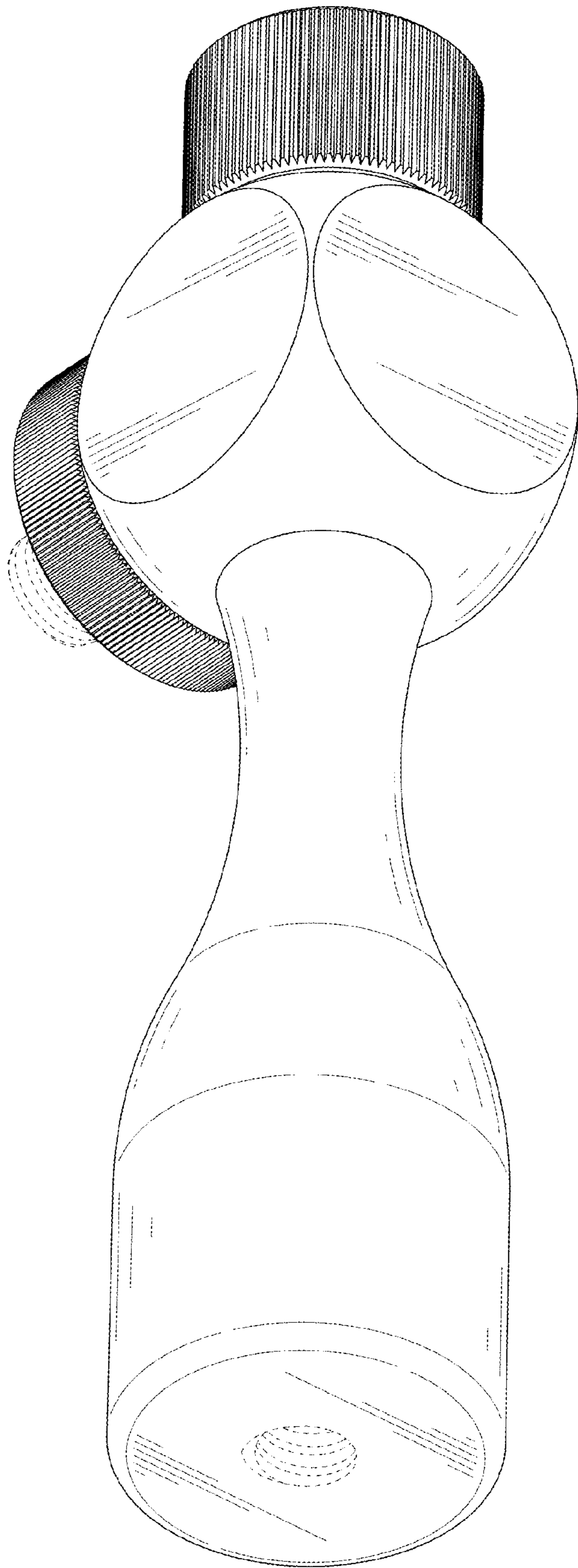


FIG. 2

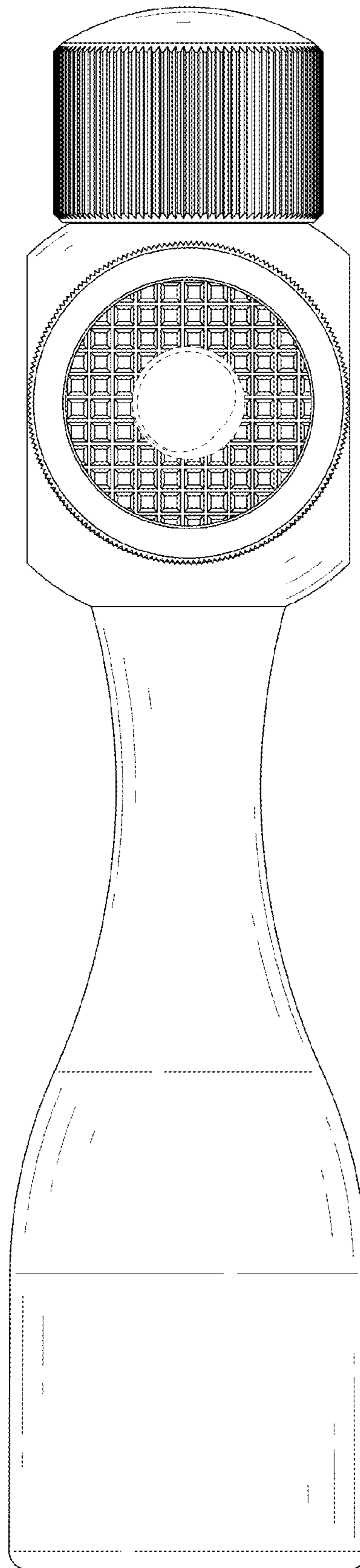


FIG. 3

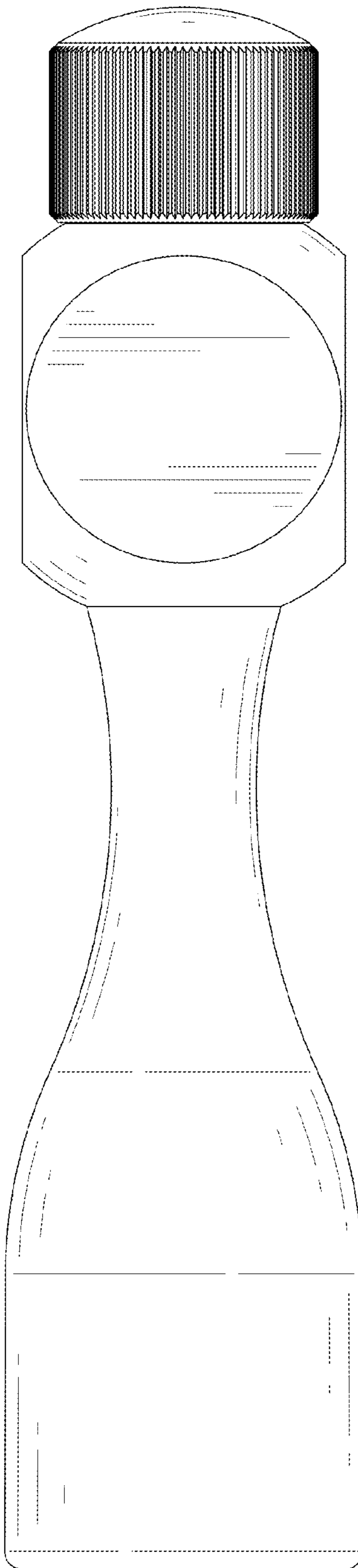


FIG. 4

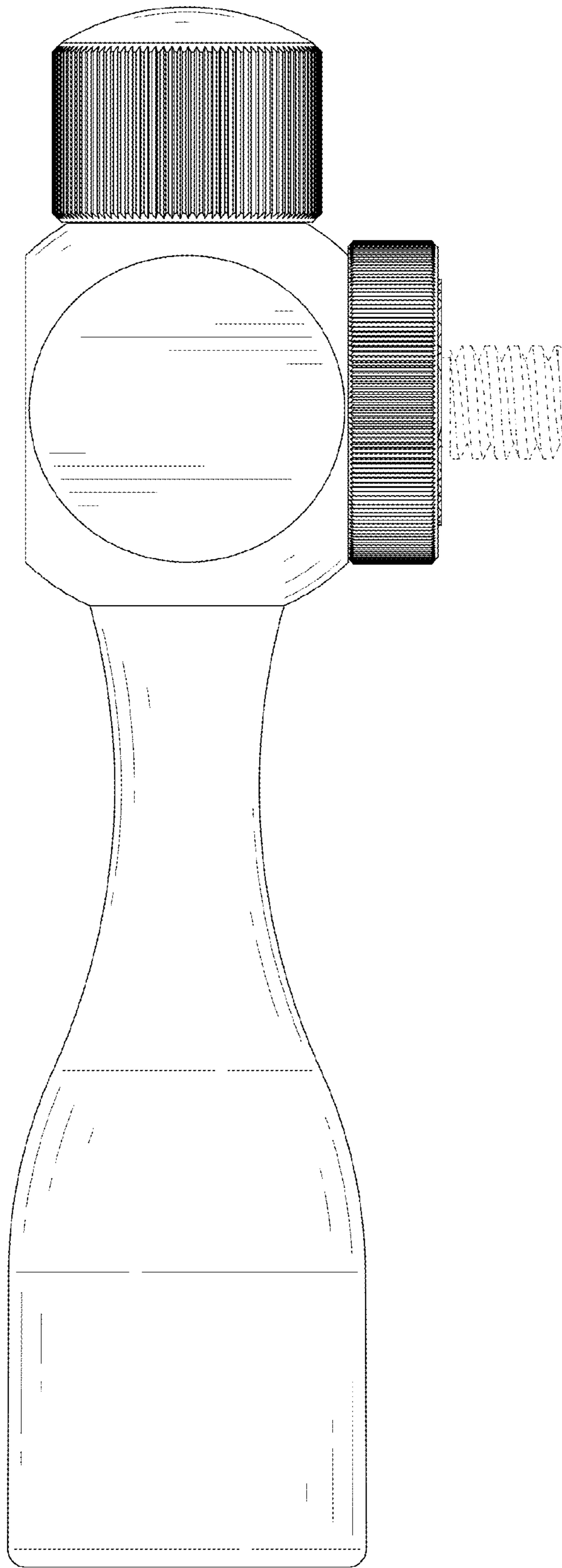


FIG. 5

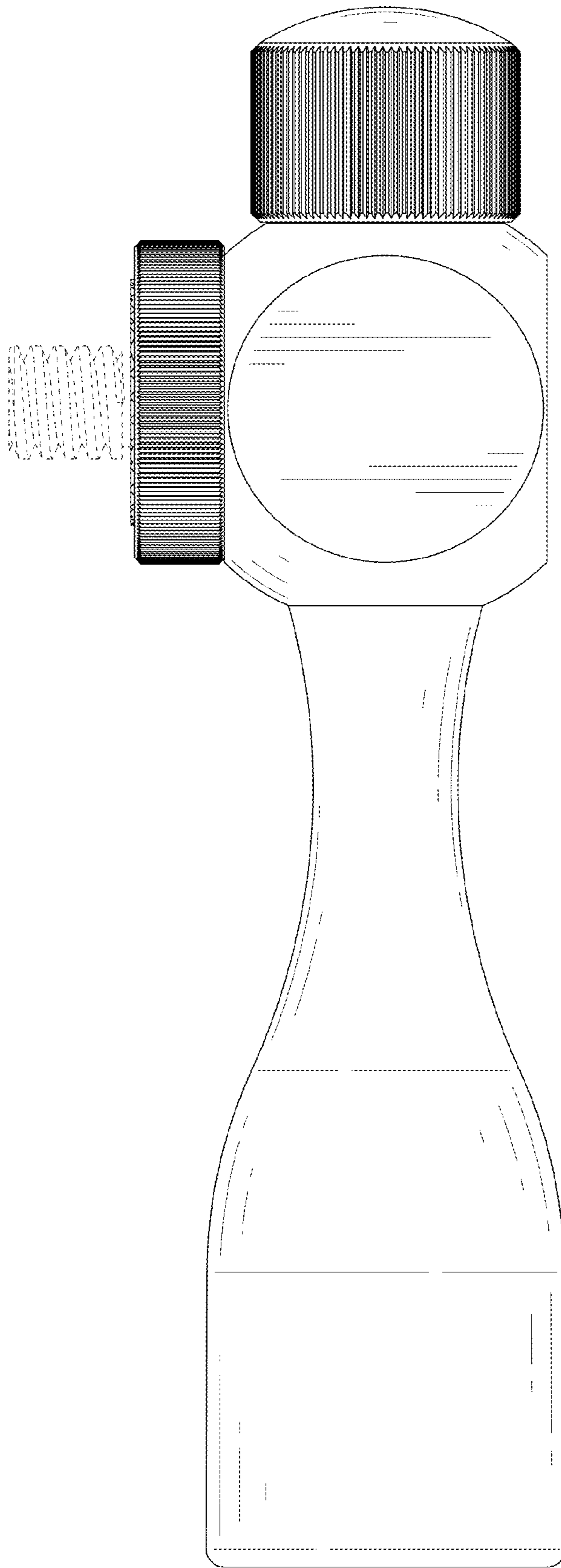


FIG. 6

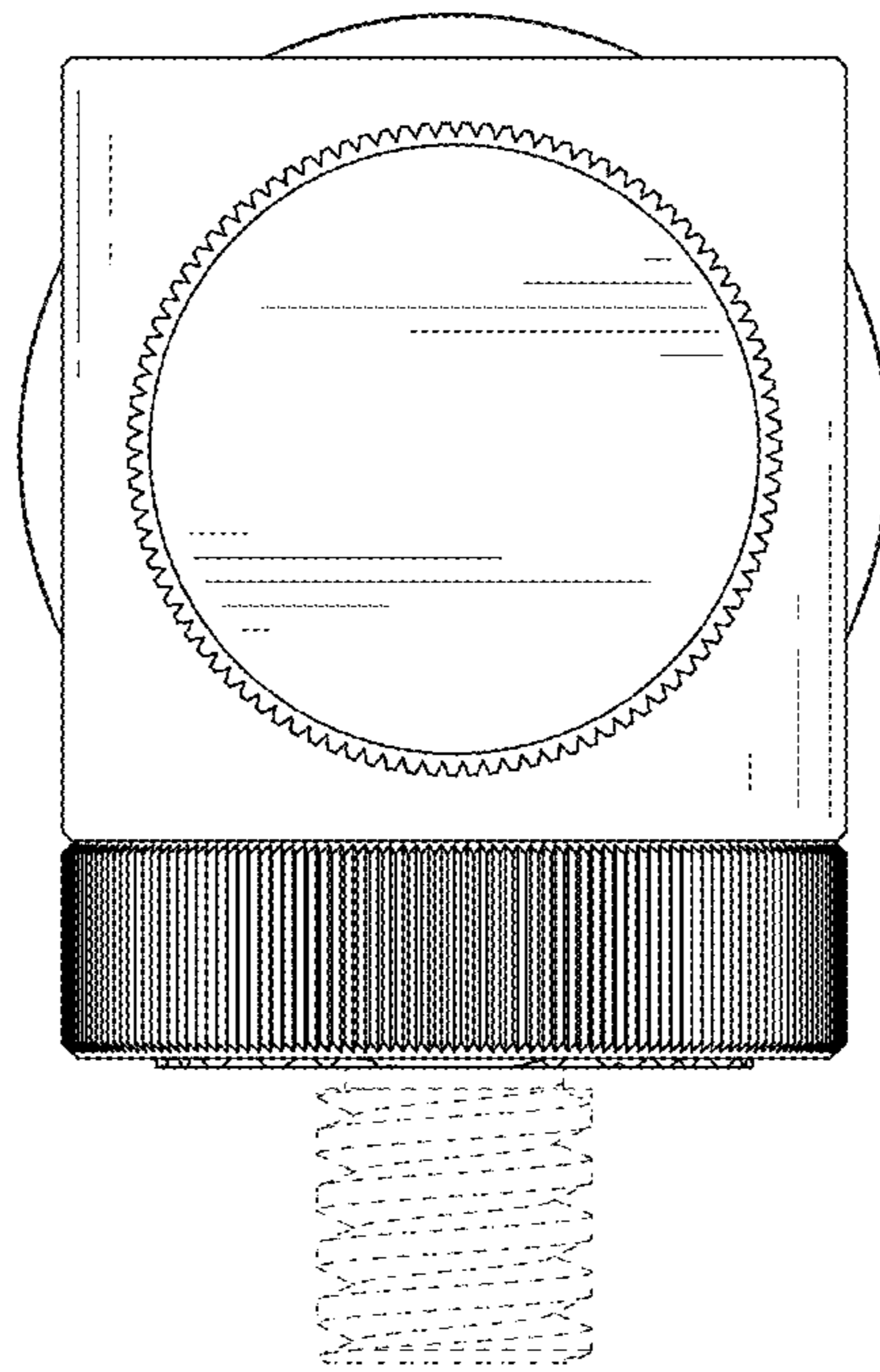


FIG. 7

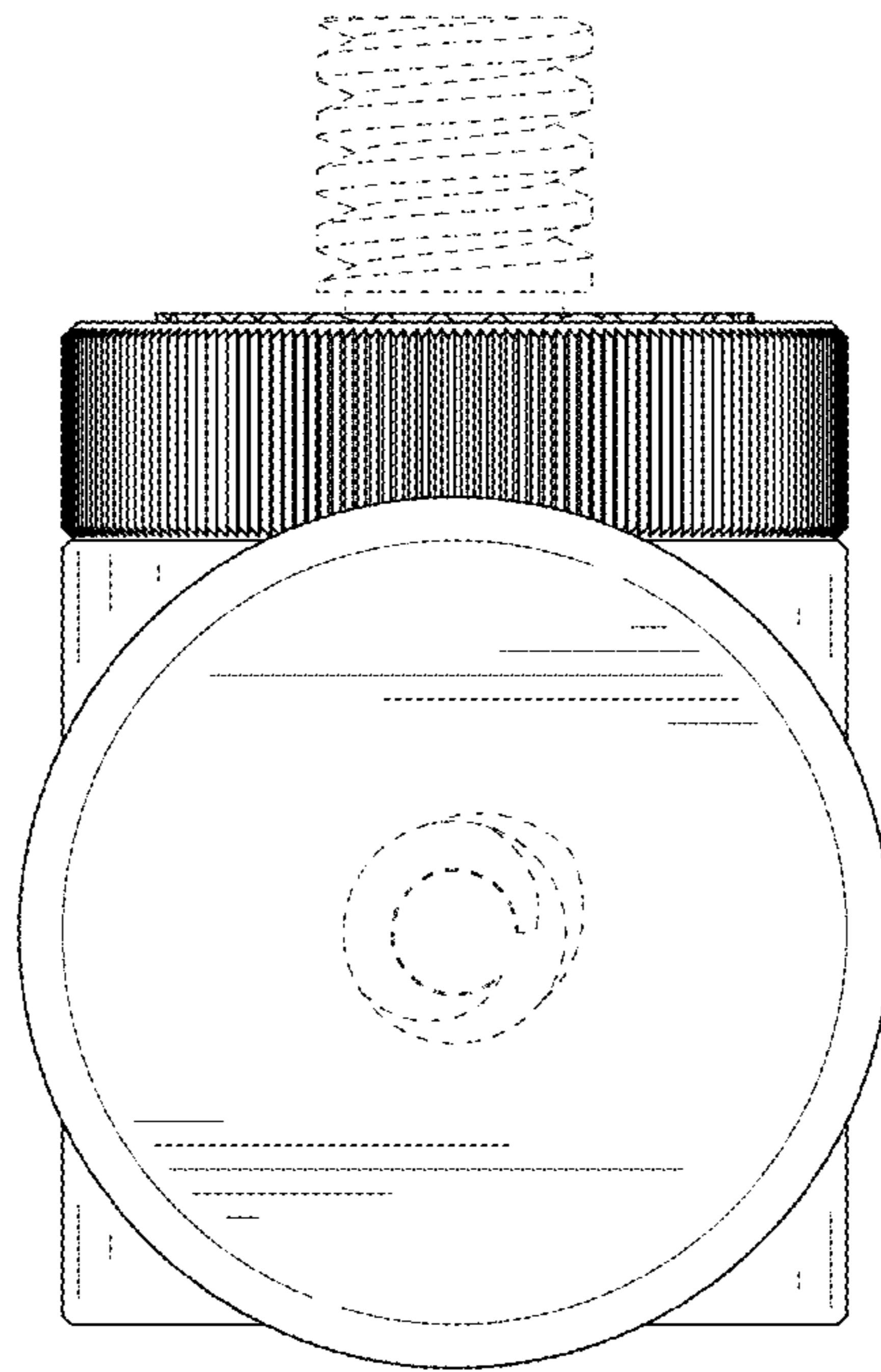


FIG. 8