



US00D965670S

(12) **United States Design Patent**  
**Cheng et al.**

(10) **Patent No.:** **US D965,670 S**

(45) **Date of Patent:** **\*\* Oct. 4, 2022**

(54) **CONNECTING BASE**

(71) Applicants: **Chen-Hsien Cheng**, Taipei (TW);  
**Li-Fang Chen**, Taipei (TW);  
**Ruei-Hong Hong**, Taipei (TW)

(72) Inventors: **Chen-Hsien Cheng**, Taipei (TW);  
**Li-Fang Chen**, Taipei (TW);  
**Ruei-Hong Hong**, Taipei (TW)

(73) Assignee: **COMPAL ELECTRONICS, INC.**,  
Taipei (TW)

(\*\*) Term: **15 Years**

(21) Appl. No.: **29/736,125**

(22) Filed: **May 28, 2020**

(30) **Foreign Application Priority Data**

Apr. 28, 2020 (TW) ..... 109302302

(51) **LOC (13) Cl.** ..... **16-05**

(52) **U.S. Cl.**  
USPC ..... **D16/245**

(58) **Field of Classification Search**  
USPC ..... D16/136, 211, 214, 219, 235, 236, 237,  
D16/241, 242, 243, 245, 250, 334;  
(Continued)

(56) **References Cited**

**U.S. PATENT DOCUMENTS**

3,471,279 A \* 10/1969 Adler ..... H01J 29/925  
65/68  
3,992,569 A \* 11/1976 Hankins ..... H02G 15/003  
174/76

(Continued)

**FOREIGN PATENT DOCUMENTS**

CN 3244611 \* 7/2002  
CN 302255230 \* 12/2012

(Continued)

**OTHER PUBLICATIONS**

Kupo Super Knuckle Ball, product availability date unknown [online], no video/pictured review [online], [site visited May 31, 2022]:URL: <[https://www.bhphotovideo.com/c/product/1466087-REG/kupo\\_kg026511\\_super\\_knuckle\\_5\\_8\\_16mm.html](https://www.bhphotovideo.com/c/product/1466087-REG/kupo_kg026511_super_knuckle_5_8_16mm.html)> (Year: 2022).\*

(Continued)

*Primary Examiner* — Sanjeev Paul  
*Assistant Examiner* — Loryn Korrine Leblanc

(74) *Attorney, Agent, or Firm* — JCIPRNET

(57) **CLAIM**

The ornamental design for a connecting base, as shown and described.

**DESCRIPTION**

FIG. 1 is a perspective view of a connecting base showing our new design;

FIG. 2 is another perspective view thereof;

FIG. 3 is a front view thereof;

FIG. 4 is a rear view thereof;

FIG. 5 is a left side view thereof;

FIG. 6 is a right side view thereof;

FIG. 7 is a top view thereof;

FIG. 8 is a bottom view thereof;

FIG. 9 is a front view thereof showing the connecting base mounted on a bending stand with an electronic device mounted on;

FIG. 10 is another front view thereof showing the connecting base mounted on the bending stand with the electronic device mounted on;

FIG. 11 is a front view thereof showing the connecting base mounted on a upright stand with the electronic device mounted on; and,

FIG. 12 is another front view thereof showing the connecting base mounted on the upright stand with the electronic device mounted on.

The dashed broken lines illustrate portions of the connecting base that form no part of the claimed design. The dashed broken lines showing the bending stand, the upright stand and the electronic device in FIG. 9, FIG. 10, FIG. 11 and

(Continued)

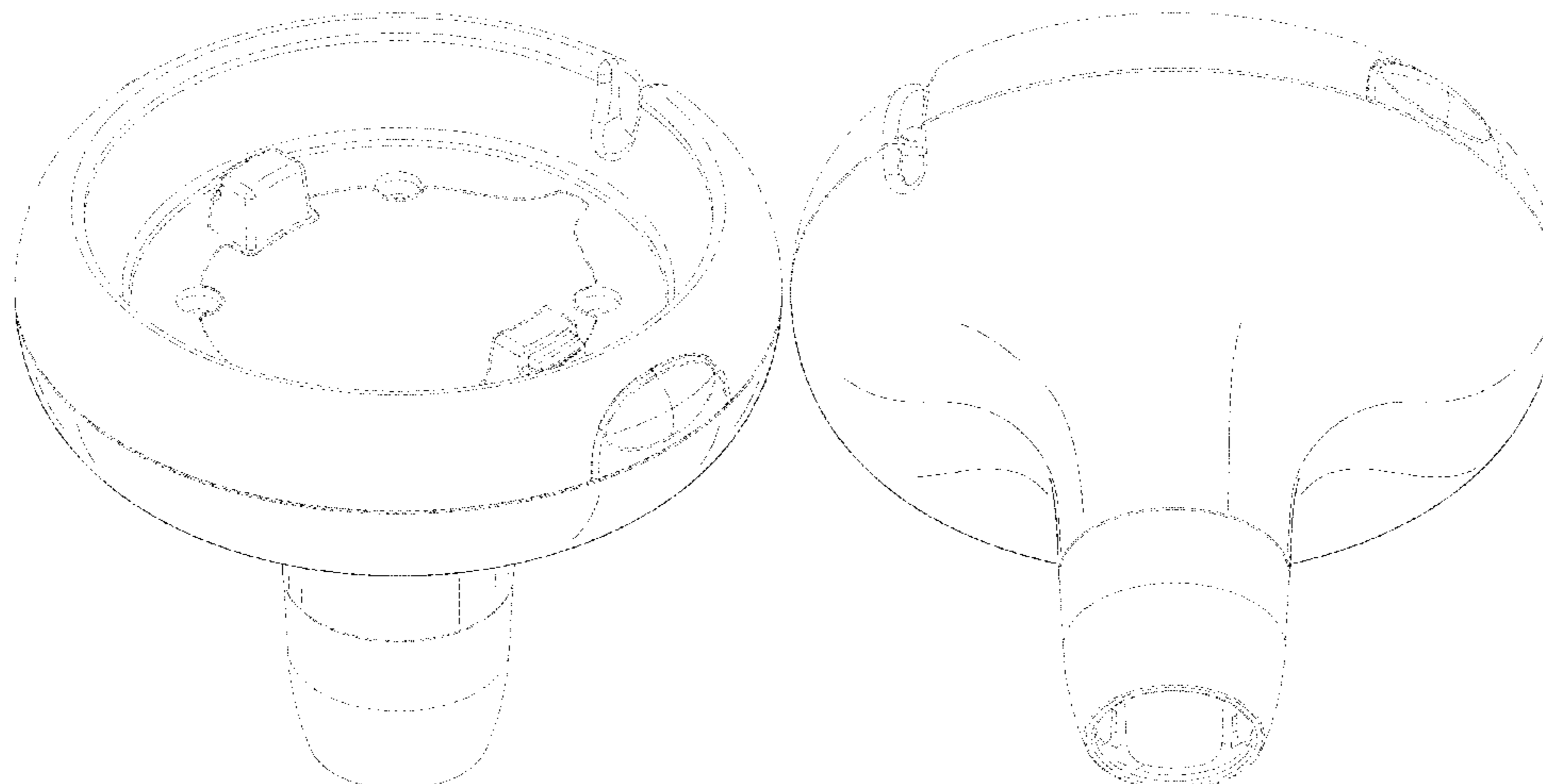


FIG. 12 are for the purpose of illustrating environmental structure, and form no part of the claimed design.

**1 Claim, 12 Drawing Sheets**

**(58) Field of Classification Search**

USPC ..... D8/352, 353, 354, 381, 382, 387, 394;  
 D14/217, 240, 432, 447, 451  
 CPC .. G03B 17/561; G03B 17/563; G03B 17/566;  
 G03B 17/565; F16M 11/041; F16M  
 11/06; F16M 11/043; F16M 11/04; H04N  
 5/2254; G02B 7/00

See application file for complete search history.

**(56) References Cited**

**U.S. PATENT DOCUMENTS**

4,427,256 A \* 1/1984 Reif ..... H01R 13/53  
 439/181  
 5,615,429 A \* 4/1997 Williams ..... A47C 19/045  
 5/509.1  
 D442,189 S \* 5/2001 Quantz ..... D15/123  
 D490,445 S \* 5/2004 Quantz ..... D15/123  
 D519,529 S \* 4/2006 Quantz ..... D15/123  
 D606,373 S \* 12/2009 McCaffery ..... D7/700  
 D667,547 S \* 9/2012 Czupalla ..... D24/138  
 D669,173 S \* 10/2012 Becker ..... D24/138  
 D730,967 S \* 6/2015 O'Neill ..... D16/219  
 D736,924 S \* 8/2015 Oberlaender ..... D24/146  
 D757,264 S \* 5/2016 Eisenlauer ..... D24/138  
 D764,597 S \* 8/2016 Kujawski ..... D14/401  
 D813,384 S \* 3/2018 Seeh ..... D24/129  
 D863,193 S \* 10/2019 Bidigare ..... D12/400  
 10,512,391 B2 \* 12/2019 Noyes ..... A61B 1/233  
 D894,723 S \* 9/2020 Mizuno ..... D8/387  
 D921,198 S \* 6/2021 Girod ..... D24/152  
 11,076,498 B1 \* 7/2021 Cheng ..... H05K 5/0256  
 D943,551 S \* 2/2022 Chen ..... D14/222  
 2004/0041514 A1 \* 3/2004 Sugawara ..... C03C 21/005  
 313/480  
 2020/0328017 A1 \* 10/2020 Isenberg ..... B60R 11/0241

**FOREIGN PATENT DOCUMENTS**

CN 302910183 \* 8/2014  
 CN 302943846 \* 9/2014  
 CN 304066382 \* 5/2016  
 CN 304783973 \* 8/2018  
 CN 305115424 \* 4/2019  
 CN 305447616 \* 11/2019  
 CN 305459849 \* 11/2019  
 CN 306231298 \* 12/2020  
 CN 306413415 \* 3/2021  
 CN 306621310 \* 6/2021  
 CN 307193320 \* 3/2022

CN 307212739 \* 3/2022  
 CN 307257203 \* 4/2022  
 EM 002592295-0001 \* 2/2015  
 GB 9004701506-0006 \* 2/2018  
 GB 9007087119-0004 \* 6/2019  
 JP D1248611 \* 7/2005  
 KR 300583452.0000 \* 12/2010  
 KR 301161584.0000 \* 4/2022

**OTHER PUBLICATIONS**

Wall bracket with connection box dome cameras, product availability date unknown [online], no video/pictured review [online], [site visited May 31, 2022]:URL:<<https://www.tienda24hs.com/Wall-bracket-with-connection-box-dome-cameras-Outside>> (Year: 2022).\*

Monoprice 4.1 MP Bullet IP Security Camera, product availability date unknown [online], no video/pictured review [online], [site visited May 31, 2022]:URL:<[https://www.monoprice.com/product?p\\_id=30570](https://www.monoprice.com/product?p_id=30570)> (Year: 2022).\*

E27 Lamp Holder E27 Bulb Holder Socket, product availability date unknown [online], no video/pictured review [online], [site visited May 31, 2022]:URL:<<https://www.dhgate.com/product/e27-lamp-holder-e27-bulb-holder-socket-ceramic/478977108.html>> (Year: 2022).\*

All-New Blink Outdoor Camera Mount Bracket, product available Jan. 8, 2021 [online], pictured review Aug. 19, 2021 [online], [site visited May 31, 2022]:URL:<[https://www.amazon.com/gp/product/B08SHZW9MF/ref=sw\\_img\\_1?smid=A13A0CFT7KTPU4&th=1](https://www.amazon.com/gp/product/B08SHZW9MF/ref=sw_img_1?smid=A13A0CFT7KTPU4&th=1)>(Year: 2021).\*

Blink Mini camera stand, product available date unknown [online], no video/pictured review [online], [site visited May 31, 2022]:URL:<[https://www.amazon.com/gp/product/B07X6CC3H6/ref=sw\\_img\\_1?smid=ATVDPKIKX0DER&psc=1](https://www.amazon.com/gp/product/B07X6CC3H6/ref=sw_img_1?smid=ATVDPKIKX0DER&psc=1)> (Year: 2022).\*

All-New Blink Outdoor Camera Housing and Mounting Bracket, product available Oct. 28, 2020 [online], pictured review Dec. 13, 2020 [online], [site visited May 31, 2022]:URL:<[https://www.amazon.com/gp/product/B08M3YTKPC/ref=sw\\_img\\_1?smid=A11755RFP1A72I&th=1](https://www.amazon.com/gp/product/B08M3YTKPC/ref=sw_img_1?smid=A11755RFP1A72I&th=1)>(Year: 2020).\*

2 Pack Adhesive Wall Mount for Blink, product available Dec. 16, 2020 [online], no video/pictured review [online], [site visited May 31, 2022]:URL:<[https://www.amazon.com/gp/product/B08QRMXF4N/ref=sw\\_img\\_1?smid=A2MQ0JQ1HURWND&psc=1](https://www.amazon.com/gp/product/B08QRMXF4N/ref=sw_img_1?smid=A2MQ0JQ1HURWND&psc=1)> (Year: 2020).\*

Blink Mini Camera Wall Mount, product available Aug. 13, 2019 [online], no video/pictured review [online], [site visited May 31, 2022]:URL:<[https://www.amazon.com/gp/product/B08BYWG1SL/ref=sw\\_img\\_1?smid=A3MLQ5BAF80PFR&psc=1](https://www.amazon.com/gp/product/B08BYWG1SL/ref=sw_img_1?smid=A3MLQ5BAF80PFR&psc=1)> (Year: 2019).\*

Vomenc Magnetic Wall Mount Stand, product available Oct. 15, 2020 [online], no video/pictured review [online], [site visited May 31, 2022]:URL:<[https://www.amazon.com/gp/product/B08L7QJ81M/ref=sw\\_img\\_1?smid=A1P57PR4RJEK8W&th=1](https://www.amazon.com/gp/product/B08L7QJ81M/ref=sw_img_1?smid=A1P57PR4RJEK8W&th=1)> (Year: 2020).\*

Strong Tape Wall Mount, product available Nov. 11, 2021 [online], pictured review Mar. 14, 2022 [online], [site visited May 31, 2022]:URL:<[https://www.amazon.com/gp/product/B09LMDL5N9/ref=sw\\_img\\_1?smid=A3W51D6YRUMINF&th=1](https://www.amazon.com/gp/product/B09LMDL5N9/ref=sw_img_1?smid=A3W51D6YRUMINF&th=1)> (Year: 2021).\*

\* cited by examiner

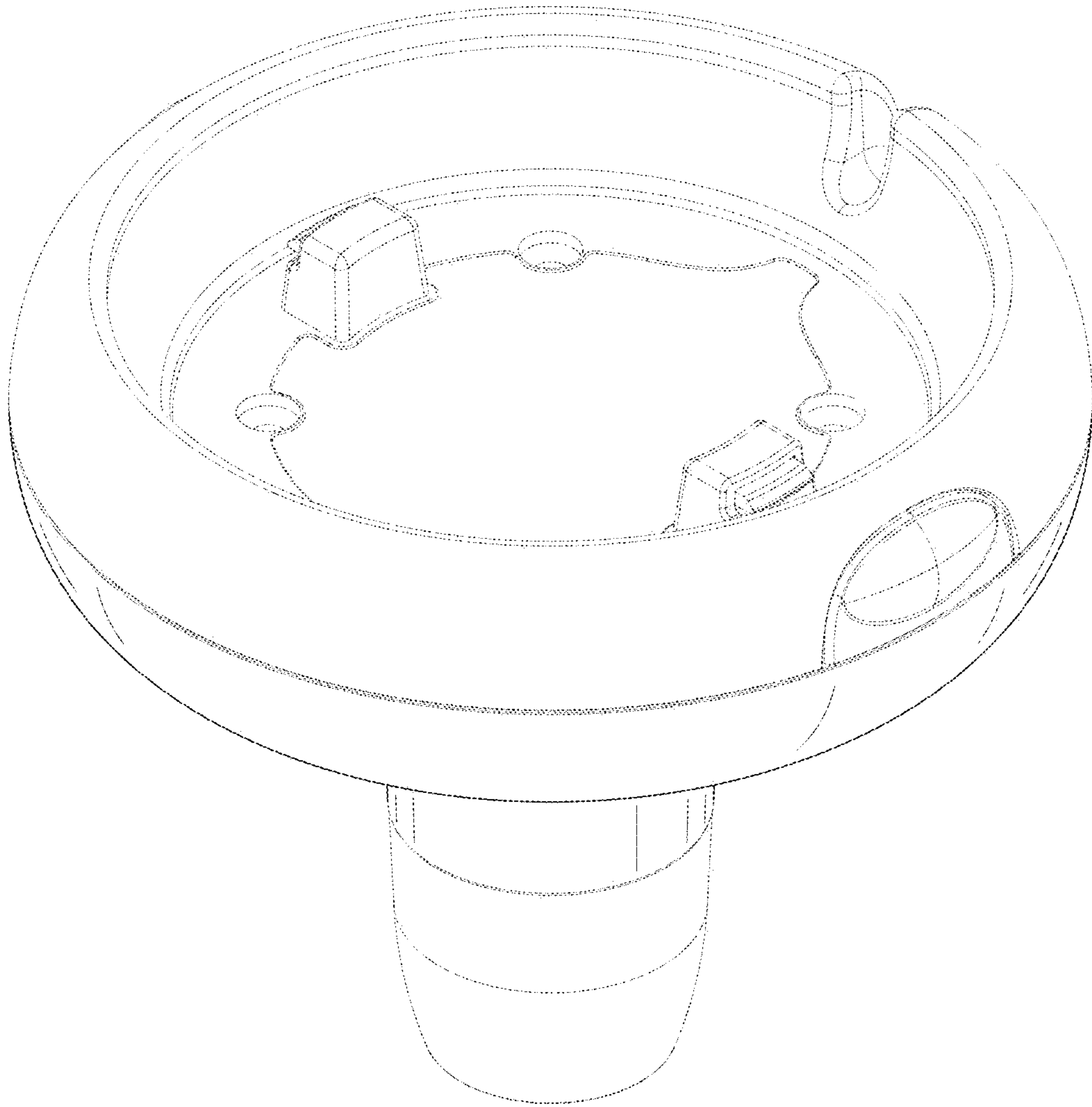


FIG. 1

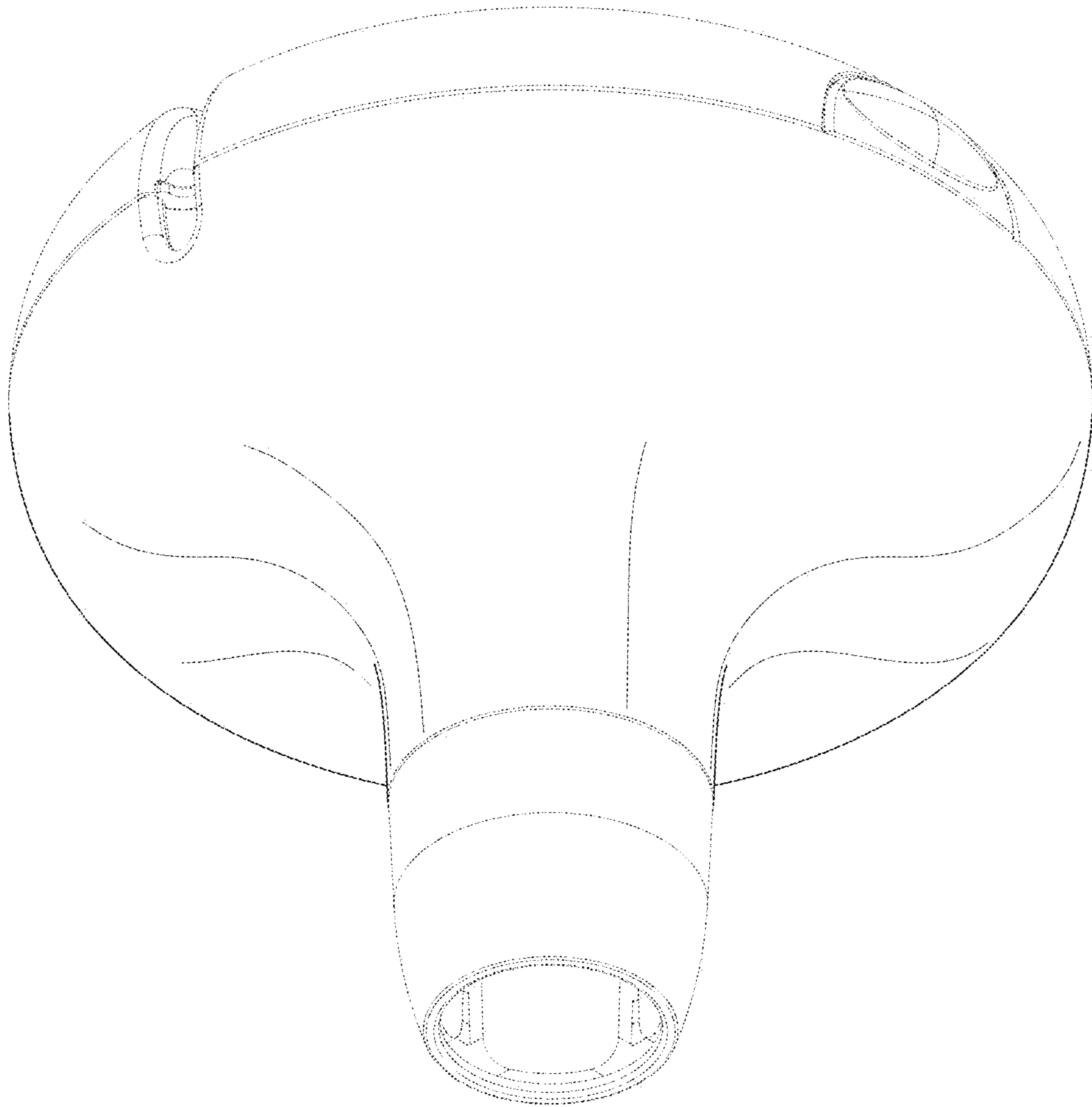


FIG. 2

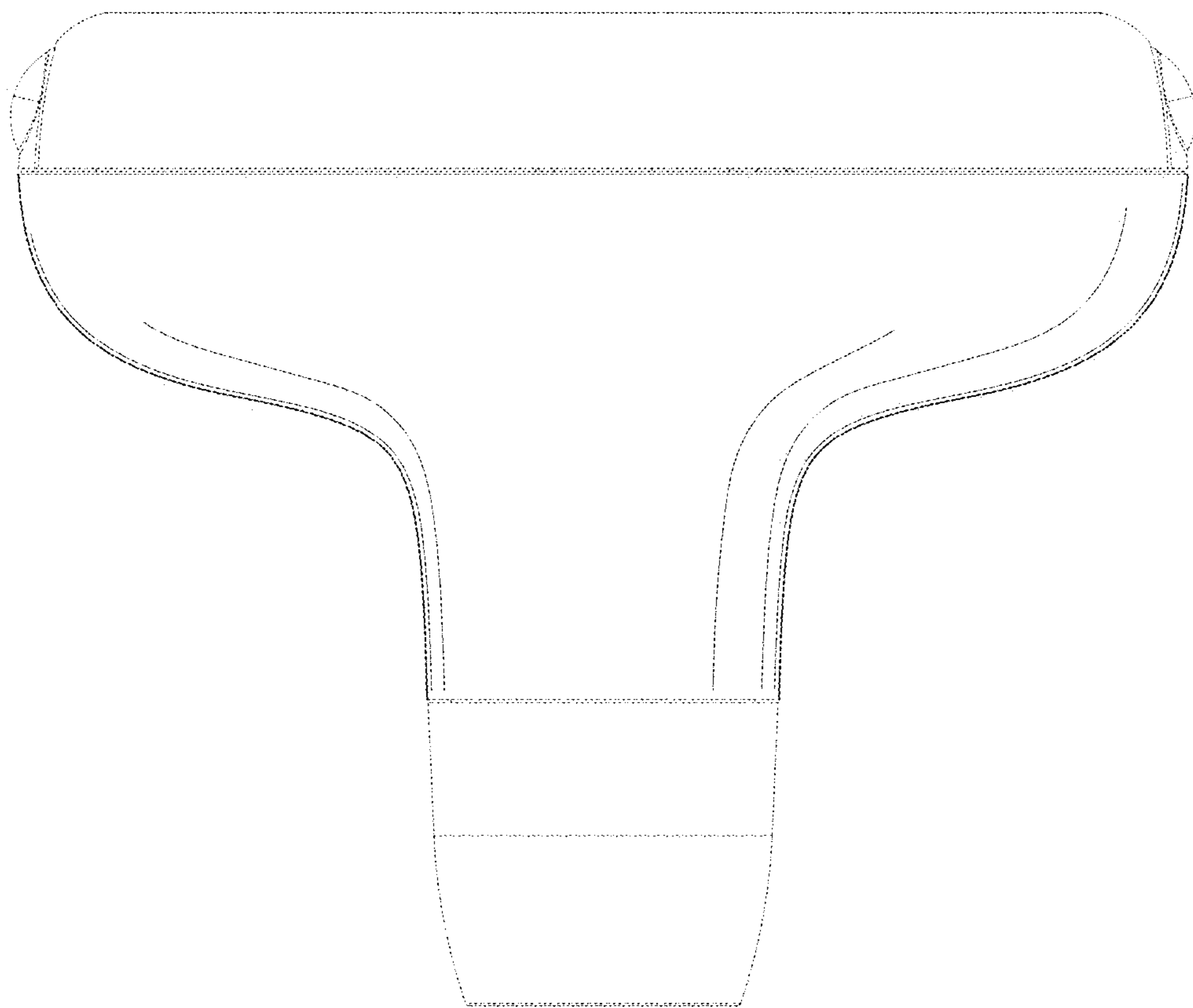


FIG. 3

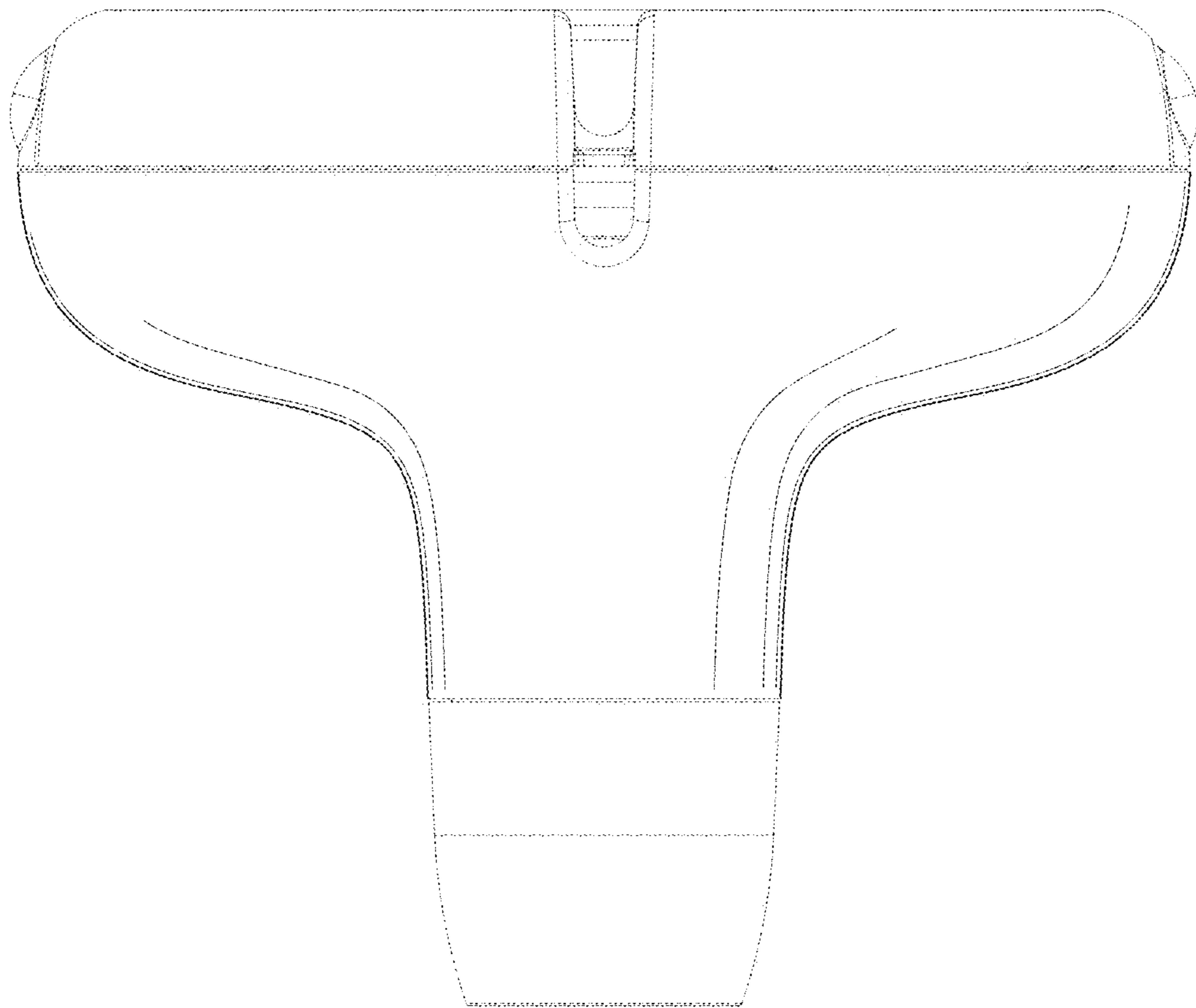


FIG. 4

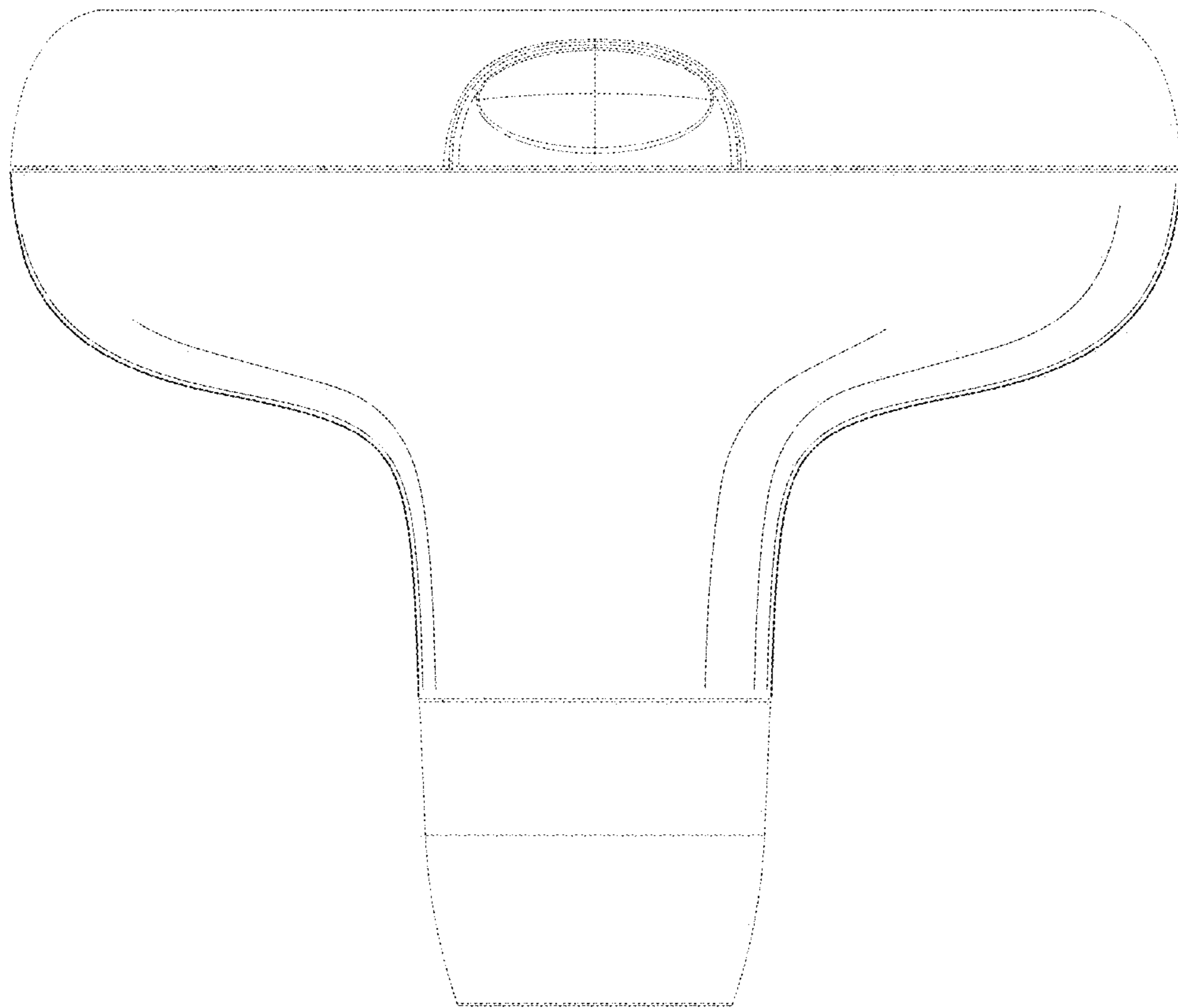


FIG. 5

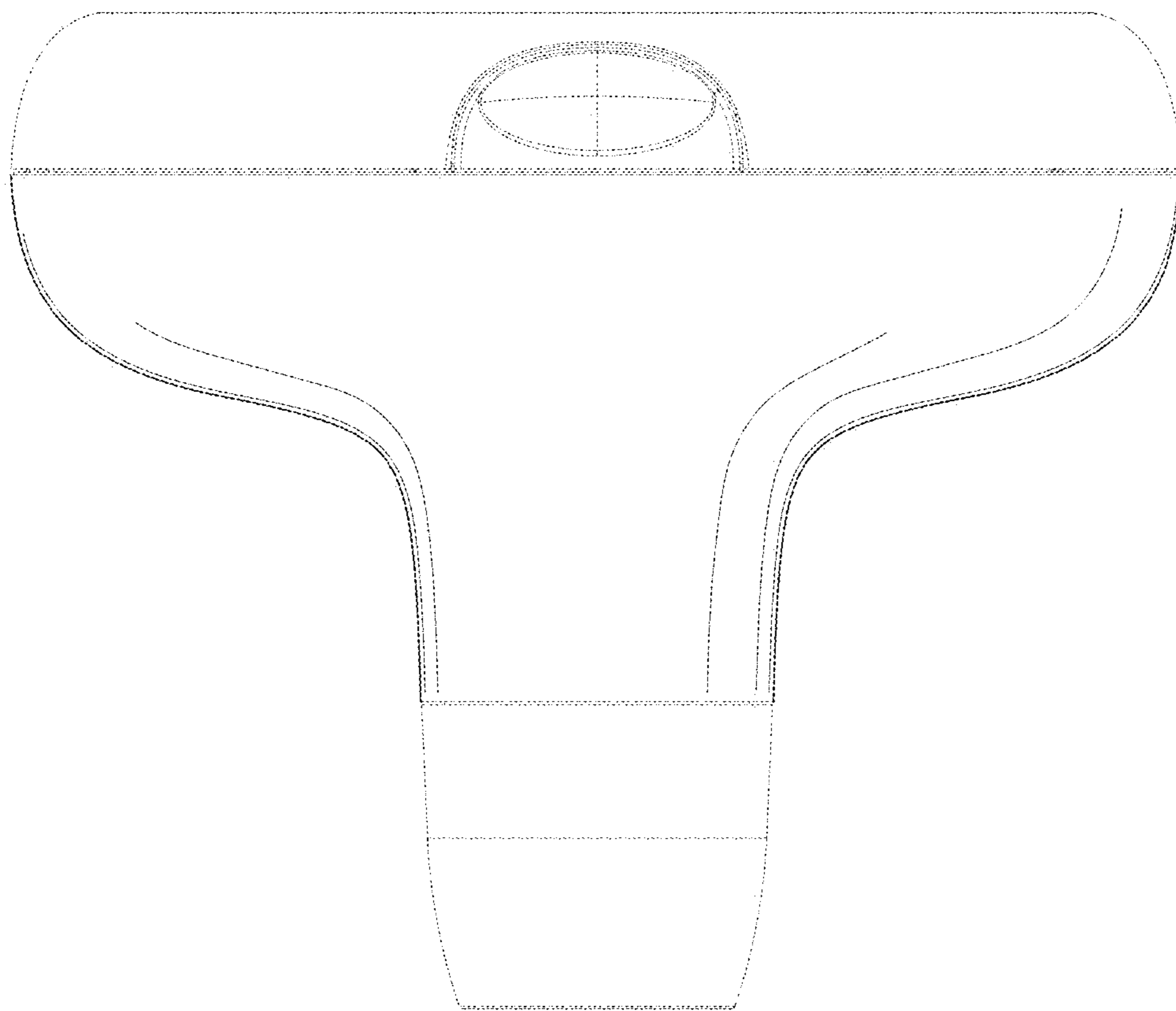


FIG. 6



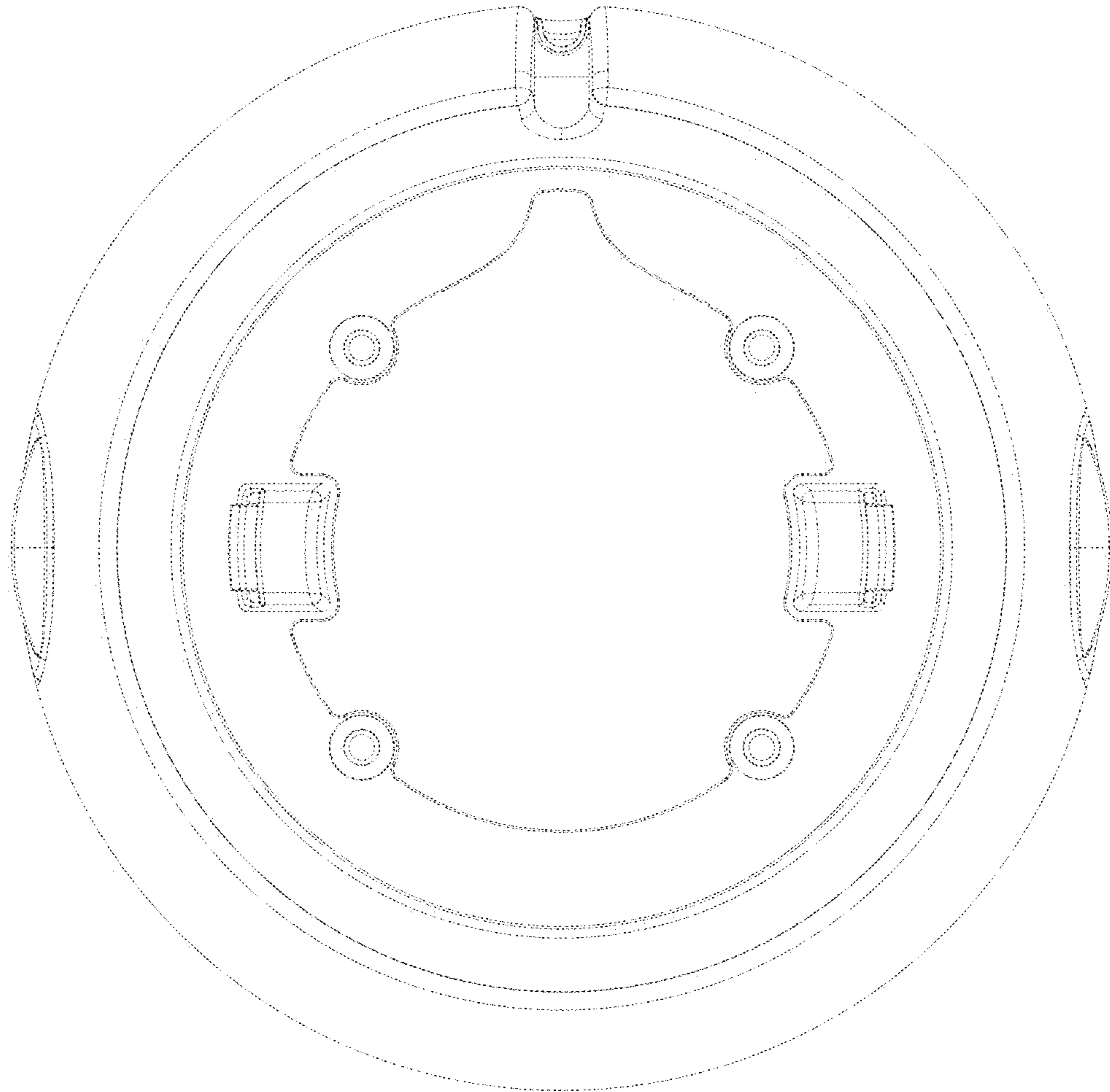


FIG. 7

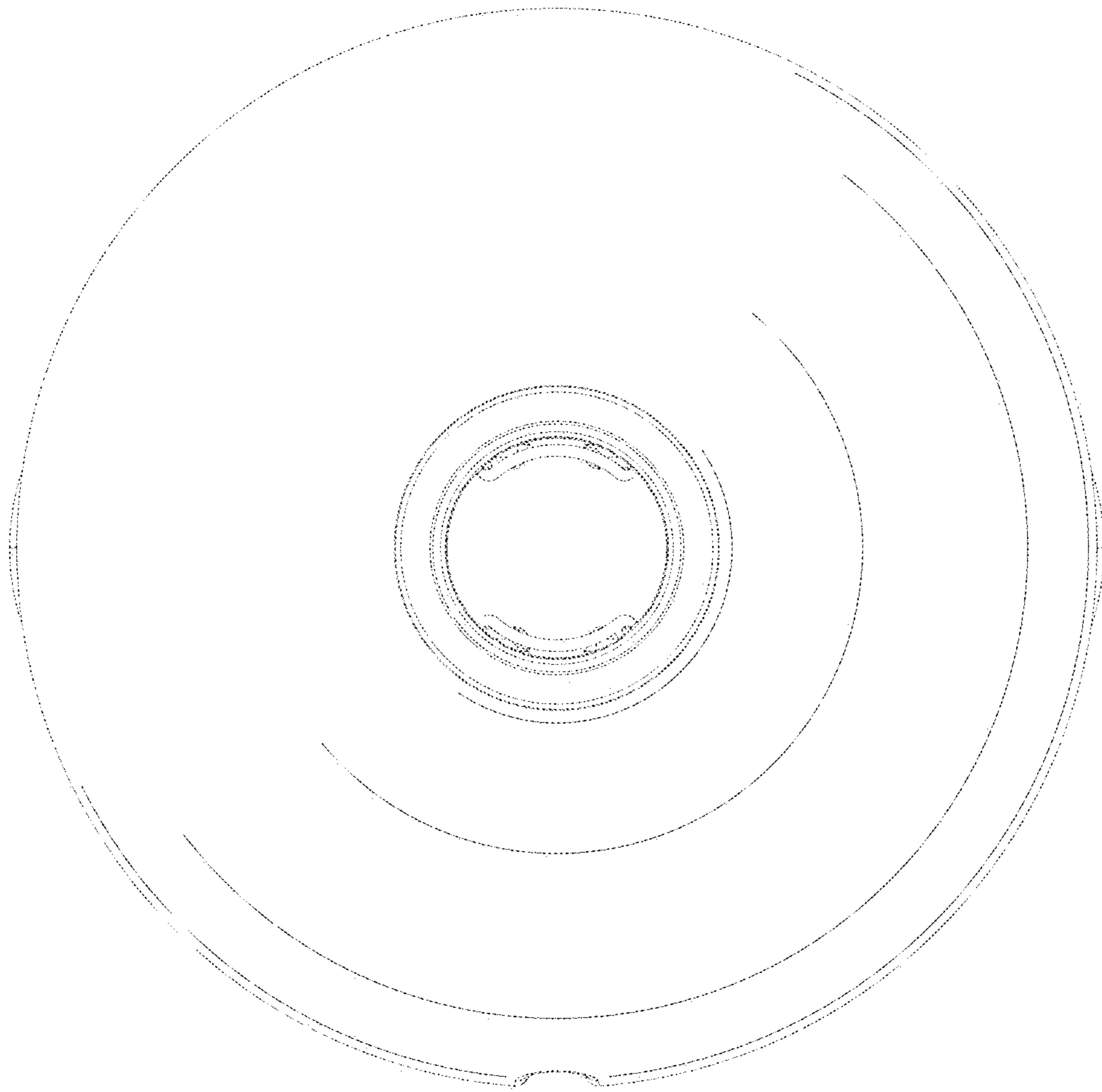


FIG. 8

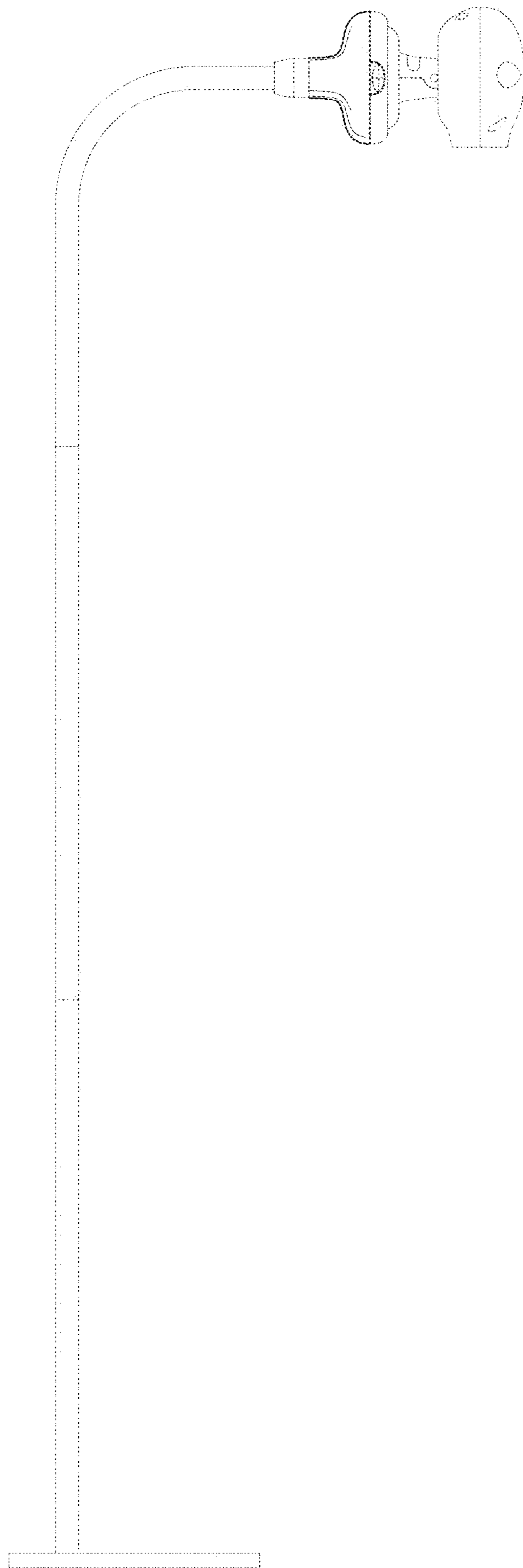


FIG. 9

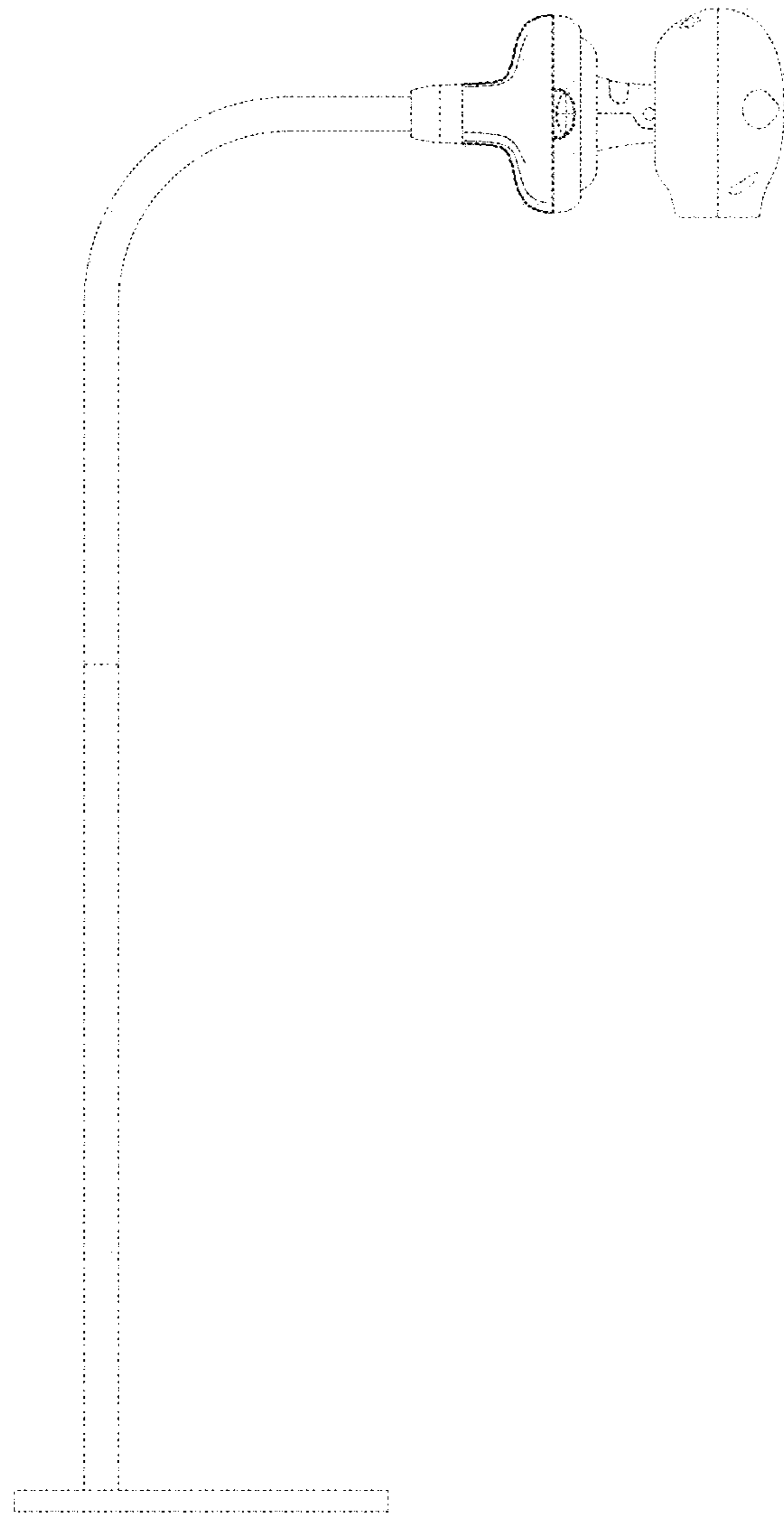


FIG. 10

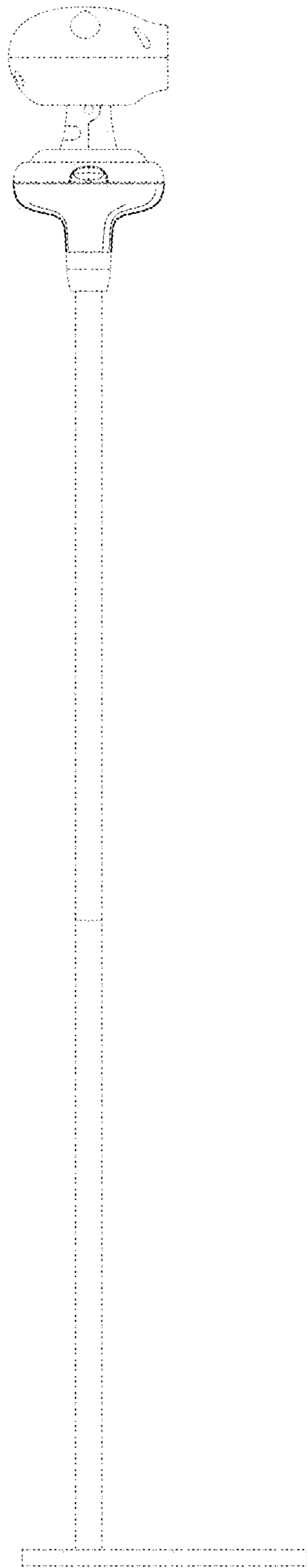


FIG. 11

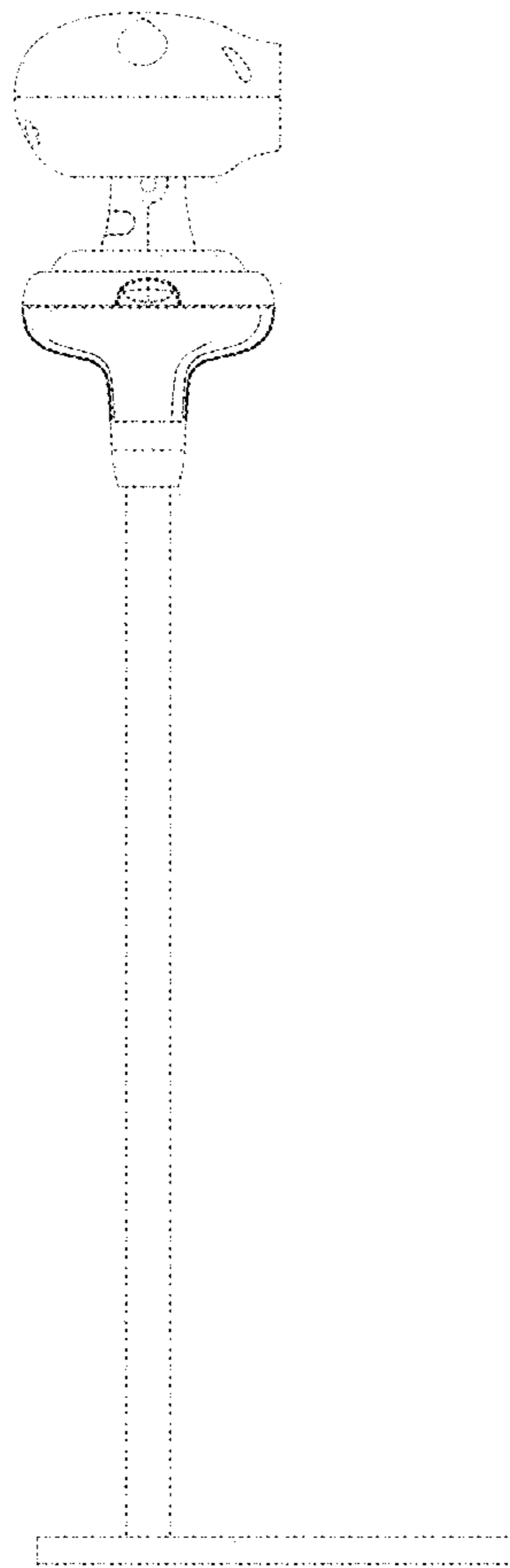


FIG. 12