



US00D965669S

(12) **United States Design Patent**  
**Li et al.**

(10) **Patent No.:** **US D965,669 S**  
(45) **Date of Patent:** **\*\* Oct. 4, 2022**

(54) **CAMERA SUPPORT**

- (71) Applicant: **Getac Technology Corporation**,  
Hsinchu County (TW)
- (72) Inventors: **Chun-Hsing Li**, Taipei (TW);  
**Ssu-Yuan Wu**, Taipei (TW);  
**Ruei-Rong Lin**, Taipei (TW)
- (73) Assignee: **GETAC TECHNOLOGY CORPORATION**, Hsinchu County (TW)

(\*\*) Term: **15 Years**

(21) Appl. No.: **29/728,018**

(22) Filed: **Mar. 16, 2020**

(51) **LOC (13) Cl.** ..... **16-05**

(52) **U.S. Cl.**  
USPC ..... **D16/242**

(58) **Field of Classification Search**  
USPC ..... D8/300, 303, 306, 307, 321, 323, 324,  
D8/325, 349, 363, 373, 394; D14/313,  
(Continued)

(56) **References Cited**

**U.S. PATENT DOCUMENTS**

- 4,254,931 A \* 3/1981 Aikens ..... B60R 1/04  
248/483
- 4,936,533 A \* 6/1990 Adams ..... B60R 1/04  
248/222.13

(Continued)

**FOREIGN PATENT DOCUMENTS**

- CN 303386557 \* 9/2015
- CN 303386558 \* 9/2015

(Continued)

**OTHER PUBLICATIONS**

Rear View Mirror Back Plate Panel, product available Mar. 11, 2020 [online], pictured review Jul. 16, 2020 [online], [site visited Feb. 16, 2022]: URL:<[https://www.amazon.com/gp/product/B085RNM1LF/ref=sw\\_img\\_1?smid=A1HN5R5DDYYLHZ&psc=1](https://www.amazon.com/gp/product/B085RNM1LF/ref=sw_img_1?smid=A1HN5R5DDYYLHZ&psc=1)> (Year: 2020).\*

(Continued)

*Primary Examiner* — Sanjeev Paul

*Assistant Examiner* — Loryn K. LeBlanc

(74) *Attorney, Agent, or Firm* — Locke Lord LLP; Tim Tingkang Xia, Esq.

(57) **CLAIM**

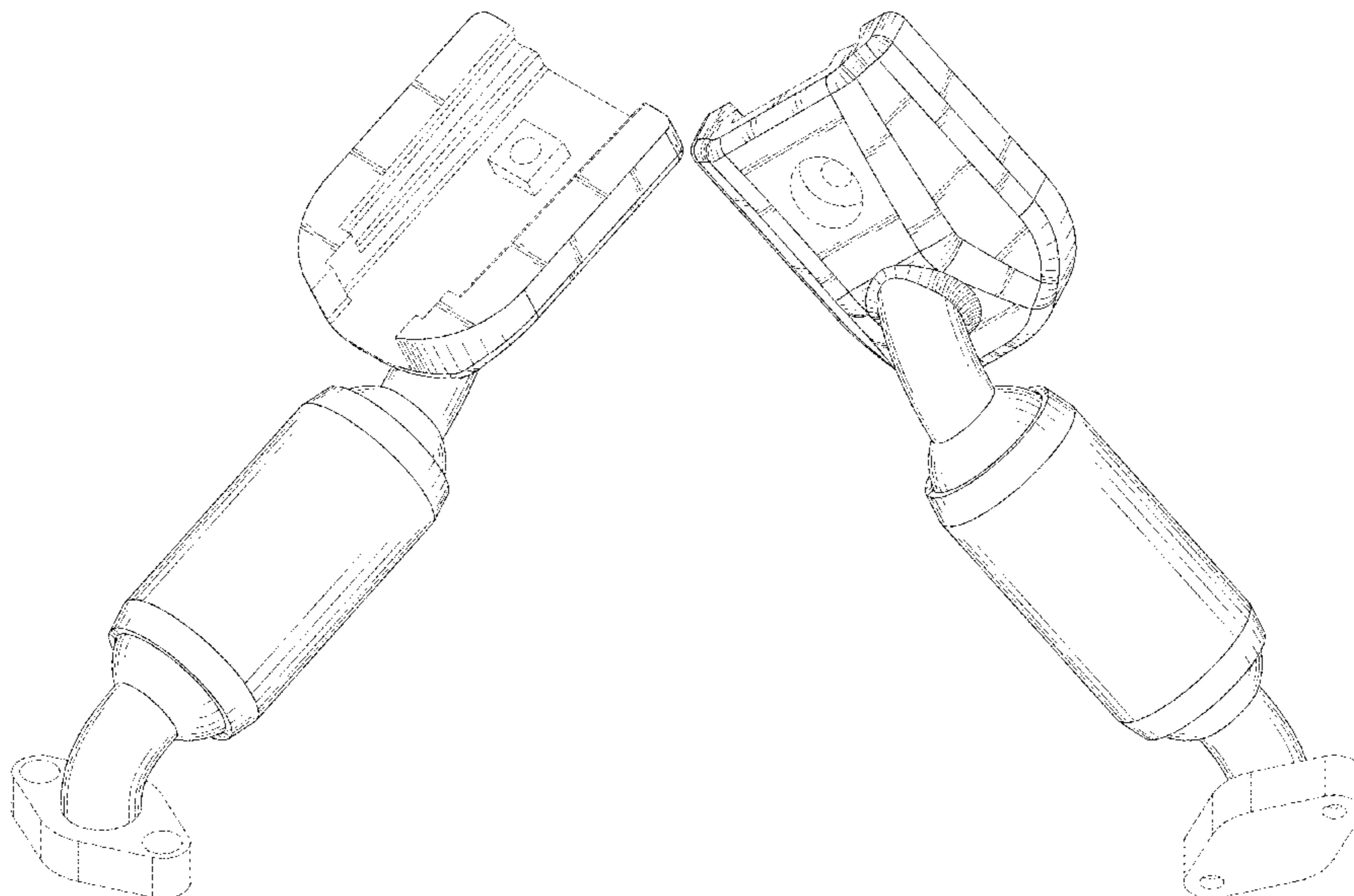
The ornamental design for a “camera support,” as shown and described.

**DESCRIPTION**

FIG. 1 is a top, front, and right side perspective view of a camera support, showing our new design; FIG. 2 is a bottom, rear, and left side perspective view thereof; FIG. 3 is a front view thereof; FIG. 4 is a rear view thereof; FIG. 5 is a left side view thereof; FIG. 6 is a right side view thereof; FIG. 7 is a top view thereof; FIG. 8 is a bottom view thereof; and FIG. 9 is a top, front, and right side perspective view thereof attached to a camera showing a state of use; and, FIG. 10 is a top and front side perspective view of the camera support, along the viewing direction of line 10-10 from FIG. 5 perpendicular to a top flange structure of the camera support.

The broken lines in the figures illustrate portions of the camera support that form no part of the claimed design. The additional broken lines in FIG. 9 represents environmental subject matter and form not part of the claimed design.

**1 Claim, 10 Drawing Sheets**



(58) **Field of Classification Search**

USPC ..... D14/316, 317, 324, 341, 372, 375, 376,  
 D14/377, 432, 203.3, 203.5, 482, 224,  
 D14/217, 229, 250, 251, 345, 253;  
 D16/200, 204, 206, 208, 211, 213-219,  
 D16/231, 234, 235, 236, 237-250, 136,  
 D16/239, 240, 203.8, 194, 195; D21/329,  
 D21/330, 331, 333, 385, 514; D20/10,  
 D20/41-43; D12/187, 188, 189, 223  
 CPC ..... F16M 11/00; F16M 11/06; F16M 11/08;  
 F16M 11/10; F16M 11/14; F16M 11/18;  
 F16M 11/20; F16M 11/041; F16M  
 11/105; F16M 11/2007; F16M 11/2014;  
 F16M 11/2021; F16M 11/2028; F16M  
 11/2035; F16M 11/2078; F16M 13/00;  
 F16M 13/005; F16M 13/02; F16M 13/04;  
 F16M 13/06; F16M 2200/00; F16M  
 2200/04; F16M 2200/08; F16M 2200/22;  
 F16M 2200/041; F16M 2200/042; F16M  
 2200/044; F16M 2200/045; F16M  
 2200/047; F16M 2200/048; G01C 21/18;  
 G03B 17/561; G03B 17/563; B60R 1/04;  
 F16C 11/06; Y10S 248/90; Y10T  
 403/32311

See application file for complete search history.

10,473,150 B2 \* 11/2019 Carnevali ..... F16M 13/022  
 11,142,126 B2 \* 10/2021 Steffes ..... B60R 11/0229  
 2004/0195486 A1 \* 10/2004 Rumsey ..... B60R 1/04  
 248/481  
 2005/0092875 A1 \* 5/2005 Carnevali ..... F16M 11/40  
 248/160  
 2006/0164230 A1 \* 7/2006 DeWind ..... B60K 37/06  
 340/461  
 2007/0096005 A1 \* 5/2007 March ..... B60R 1/04  
 248/549  
 2011/0141595 A1 \* 6/2011 Carnevali ..... B60R 1/04  
 359/871  
 2012/0038964 A1 \* 2/2012 De Wind ..... G02F 1/157  
 359/872  
 2016/0341963 A1 \* 11/2016 Minikey, Jr. .... B60R 1/04  
 2017/0120826 A1 \* 5/2017 Minikey, Jr. .... B60Q 3/258  
 2022/0045458 A1 \* 2/2022 Wu ..... F16B 21/09

FOREIGN PATENT DOCUMENTS

CN 303386559 \* 9/2015  
 CN 305869747 \* 6/2020

OTHER PUBLICATIONS

Master Tailgaters OEM Bluetooth Rear View Mirror, product available Mar. 9, 2017 [online], no pictured review [online], [site visited Feb. 16, 2022]:URL:<[https://www.amazon.com/gp/product/B071P9RFYF/ref=ewc\\_pr\\_img\\_1?smid=A1UU9Q35NQ2249&psc=1](https://www.amazon.com/gp/product/B071P9RFYF/ref=ewc_pr_img_1?smid=A1UU9Q35NQ2249&psc=1)> (Year: 2017).\*

Fit System DN 100 Day/Night Rear View Mirror, product available Oct. 10, 2007 [online], no pictured review [online], [site visited Feb. 16, 2022]:URL:<[https://www.amazon.com/gp/product/B000CM3IEG/ref=sw\\_img\\_1?smid=ATVPDKIKX0DER&psc=1](https://www.amazon.com/gp/product/B000CM3IEG/ref=sw_img_1?smid=ATVPDKIKX0DER&psc=1)> (Year: 2007).\*

NikoMaku Mirror Dash Cam Front and Rear Backup Camera, product available Nov. 19, 2020 [online], pictured review Apr. 20, 2021 [online], [site visited Feb. 16, 2022]:URL:<[https://www.amazon.com/gp/product/B08NV8LPFR/ref=sw\\_img\\_1?smid=A3TACM0CSM53R0&psc=1](https://www.amazon.com/gp/product/B08NV8LPFR/ref=sw_img_1?smid=A3TACM0CSM53R0&psc=1)> (Year: 2020).\*

Red Wolf 4.3" Anti-glare Rear View Backup Mirror, product available unavailable [online], no pictured/video review [online], [site visited Feb. 16, 2022]:URL:<[https://www.amazon.com/gp/product/B07FDKFX7S/ref=sw\\_img\\_1?smid=A1LAPRHCR7XHF0&psc=1](https://www.amazon.com/gp/product/B07FDKFX7S/ref=sw_img_1?smid=A1LAPRHCR7XHF0&psc=1)> (Year: 2022).\*

Rear View Mirror Back Plate Panel, product available Dec. 30, 2021 [online], video review Feb. 12, 2022 [online], [site visited Feb. 16, 2022]: URL:<[https://www.amazon.com/gp/product/B09PG3NP9C/ref=sw\\_img\\_1?smid=A1HN5R5DDYYLHZ&psc=1](https://www.amazon.com/gp/product/B09PG3NP9C/ref=sw_img_1?smid=A1HN5R5DDYYLHZ&psc=1)> (Year: 2021).\*

Eway Car Interior Backup Rear View Anti-Glare Mirror, product available Jun. 14, 2019 [online], no pictured/video review [online], [site visited Feb. 16, 2022]:URL:<[https://www.amazon.com/gp/product/B07T2JFN2T/ref=sw\\_img\\_1?smid=A3HPJ5TCDKECOJ&psc=1](https://www.amazon.com/gp/product/B07T2JFN2T/ref=sw_img_1?smid=A3HPJ5TCDKECOJ&psc=1)> (Year: 2019).\*

K Source MK150 Windshield Mounting Bracket, product available Sep. 30, 2016 [online], no pictured/video review [online], [site visited Feb. 16, 2022]:URL:<[https://www.amazon.com/gp/product/B01LWXV2RF/ref=sw\\_img\\_1?smid=ATVPDKIKX0DER&psc=1](https://www.amazon.com/gp/product/B01LWXV2RF/ref=sw_img_1?smid=ATVPDKIKX0DER&psc=1)> (Year: 2016).\*

Pilot Automotive MI-009 8" 8" Day/Night Mirror, product available Jan. 5, 2013 [online], pictured review Sep. 9, 2019 [online], [site visited Feb. 16, 2022]:URL:<[https://www.amazon.com/gp/product/B00AWY9FLO/ref=sw\\_img\\_1?smid=ATVPDKIKX0DER&th=1](https://www.amazon.com/gp/product/B00AWY9FLO/ref=sw_img_1?smid=ATVPDKIKX0DER&th=1)> (Year: 2013).\*

Cnupsm Interior Inside Rearview Mirror, product available Apr. 22, 2019 [online], no pictured/video review [online], [site visited Feb. 16, 2022]:URL:<[https://www.amazon.com/gp/product/B07QWL4JK8/ref=sw\\_img\\_1?smid=A3APTXXVAB6LP86&psc=1](https://www.amazon.com/gp/product/B07QWL4JK8/ref=sw_img_1?smid=A3APTXXVAB6LP86&psc=1)> (Year: 2019).\*

Auto-Vox T9 Backup Camera, product available Nov. 19, 2020 [online], pictured review May 1, 2021 [online], [site visited Feb. 16, 2022]: URL:<[https://www.amazon.com/gp/product/B08FT4VC37/ref=sw\\_img\\_1?smid=A2LTP4IRWNF1QK&th=1](https://www.amazon.com/gp/product/B08FT4VC37/ref=sw_img_1?smid=A2LTP4IRWNF1QK&th=1)> (Year: 2020).\*

\* cited by examiner

(56)

**References Cited**

U.S. PATENT DOCUMENTS

D335,857 S \* 5/1993 McColgan ..... D12/187  
 5,321,556 A \* 6/1994 Joe ..... B60R 1/082  
 248/479  
 5,377,949 A \* 1/1995 Haan ..... F16M 13/02  
 248/483  
 D367,249 S \* 2/1996 Ott ..... D12/114  
 5,649,756 A \* 7/1997 Adams ..... B60R 1/086  
 362/494  
 D395,812 S \* 7/1998 Doughty ..... D23/250  
 5,829,730 A \* 11/1998 Ott ..... F16F 1/3732  
 267/293  
 D402,950 S \* 12/1998 Fitzpatrick ..... D12/187  
 5,931,440 A \* 8/1999 Miller ..... B60R 1/04  
 248/549  
 D428,841 S \* 8/2000 Hussaini ..... D12/187  
 D451,456 S \* 12/2001 Santo ..... D12/187  
 6,428,172 B1 \* 8/2002 Hutzler ..... B60R 1/12  
 359/872  
 6,824,281 B2 \* 11/2004 Schofield ..... H04N 5/374  
 359/876  
 6,877,709 B2 \* 4/2005 March ..... F16C 11/06  
 248/549  
 7,249,860 B2 \* 7/2007 Kulas ..... B60R 1/04  
 359/872  
 7,370,983 B2 \* 5/2008 DeWind ..... B60K 37/06  
 359/881  
 7,746,535 B2 \* 6/2010 Kelley ..... B60R 1/02  
 359/267  
 8,128,076 B2 \* 3/2012 Sanetick ..... B64C 1/40  
 267/141.1  
 8,194,133 B2 \* 6/2012 DeWind ..... B60R 11/0235  
 348/148  
 8,454,178 B2 \* 6/2013 Carnevali ..... G02B 7/182  
 248/481  
 D746,195 S \* 12/2015 Sloterbeek ..... D12/187  
 D746,744 S \* 1/2016 Sloterbeek ..... D12/187  
 D783,480 S \* 4/2017 Sloterbeek ..... D12/187  
 D786,755 S \* 5/2017 Sloterbeek ..... D12/187  
 D797,626 S \* 9/2017 Hamlin ..... D12/187  
 10,017,118 B2 \* 7/2018 Pan ..... F16M 11/14  
 D845,851 S \* 4/2019 Sloterbeek ..... D12/188  
 D853,917 S \* 7/2019 Hamlin ..... D12/187

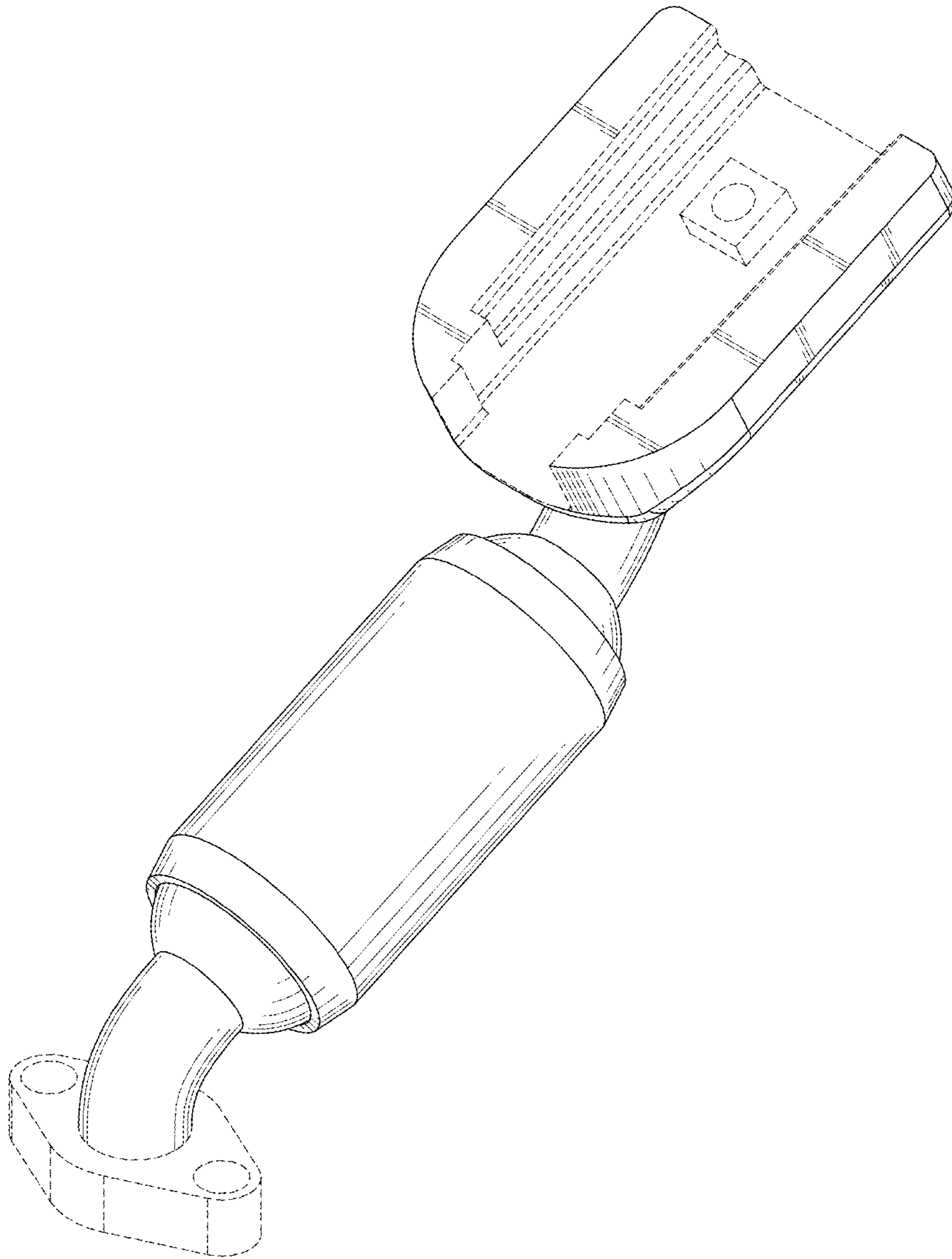


FIG. 1

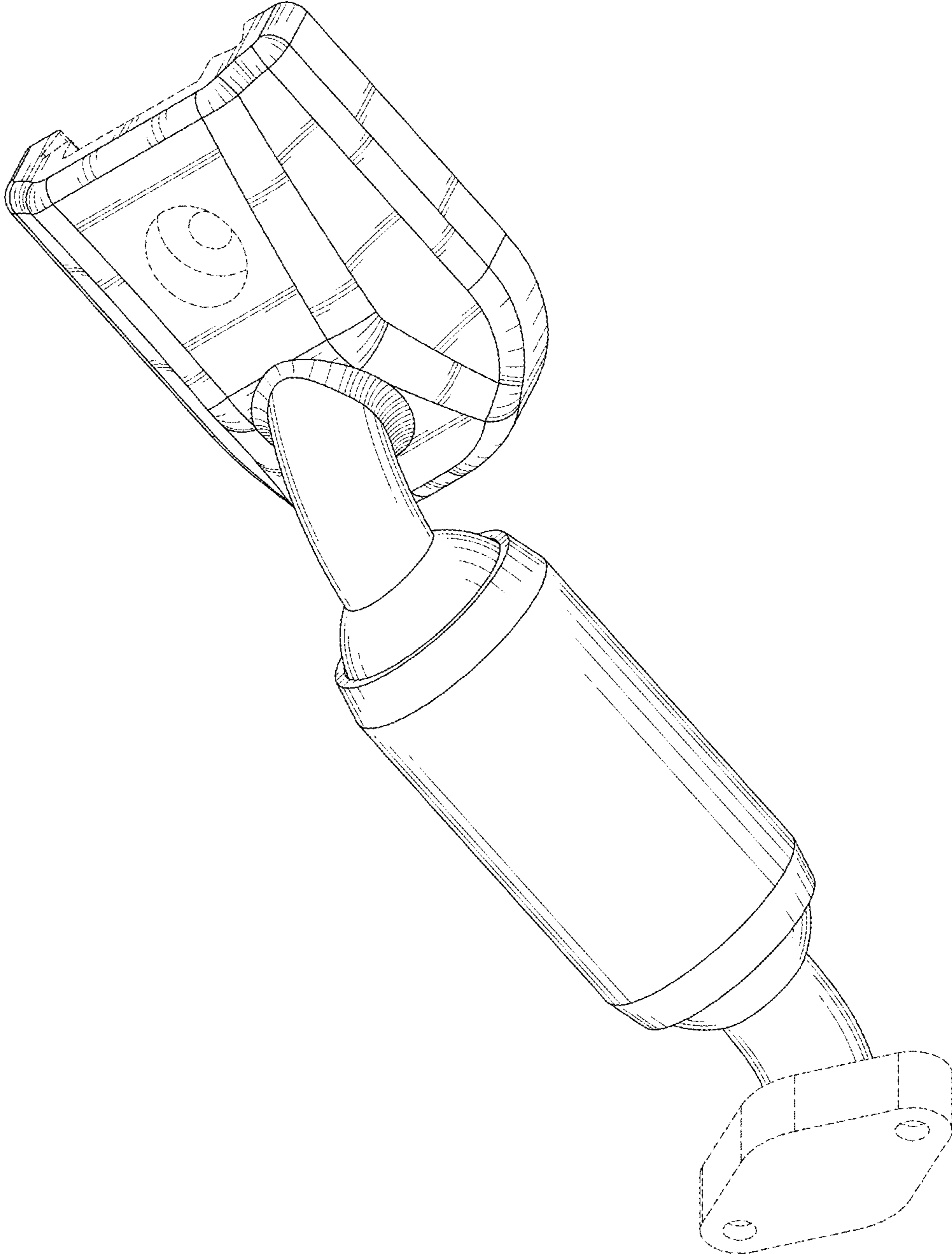


FIG. 2

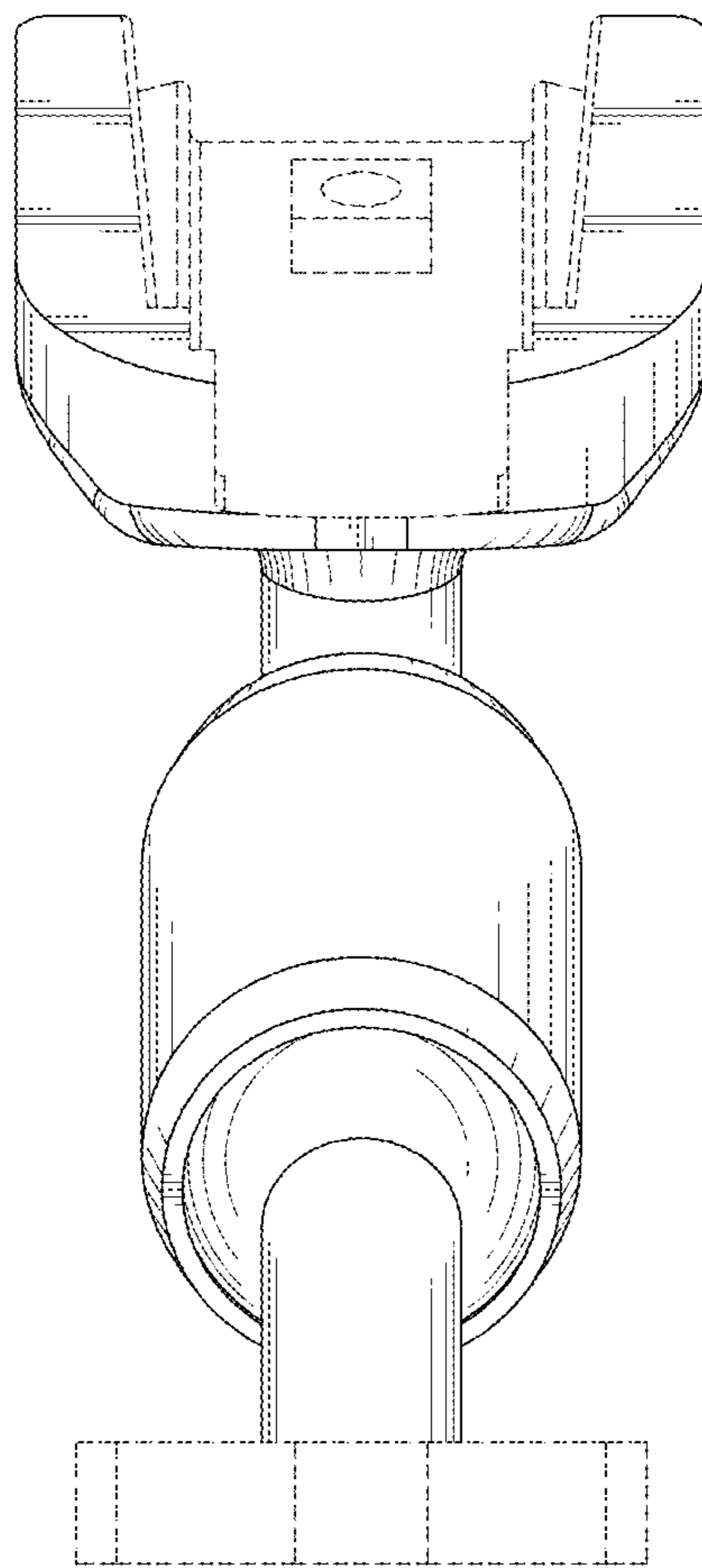


FIG. 3

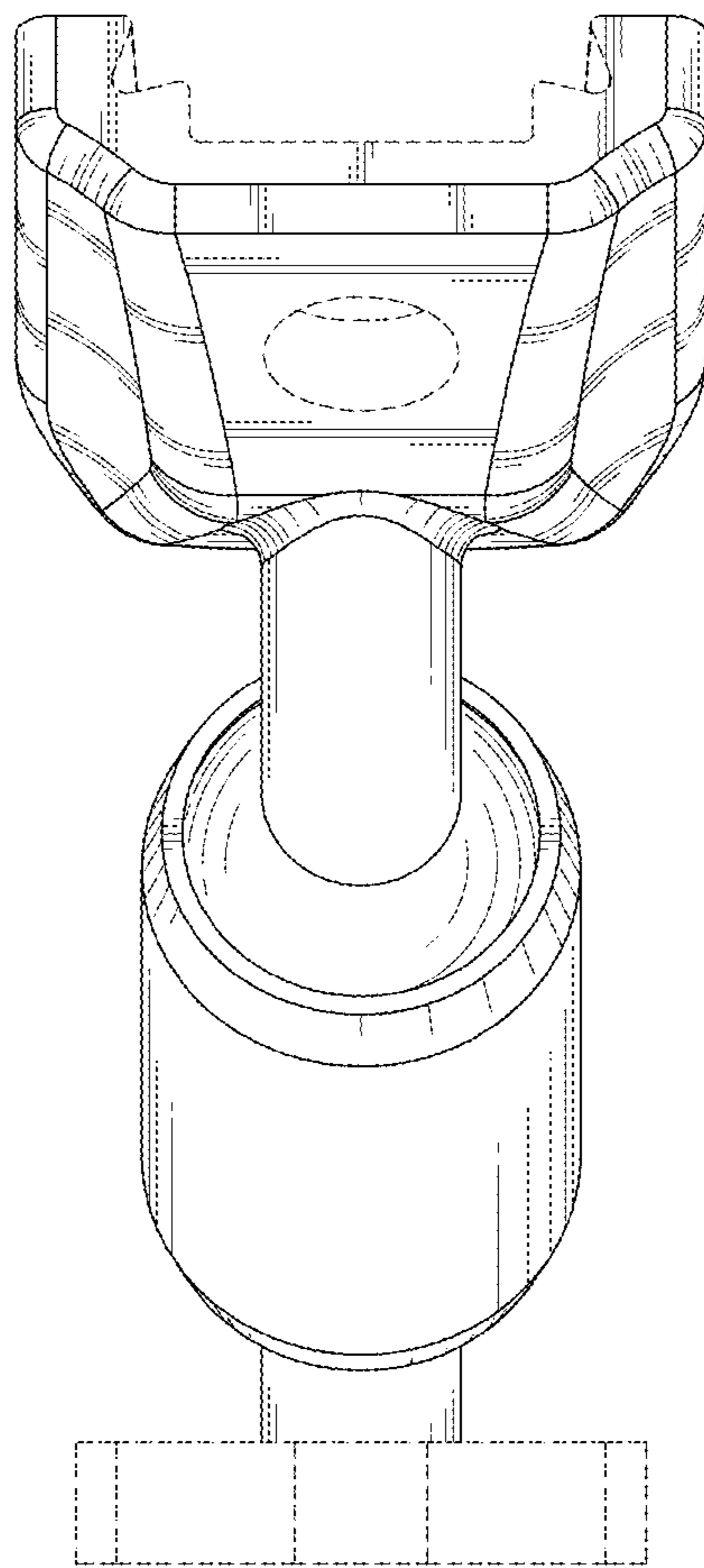


FIG. 4

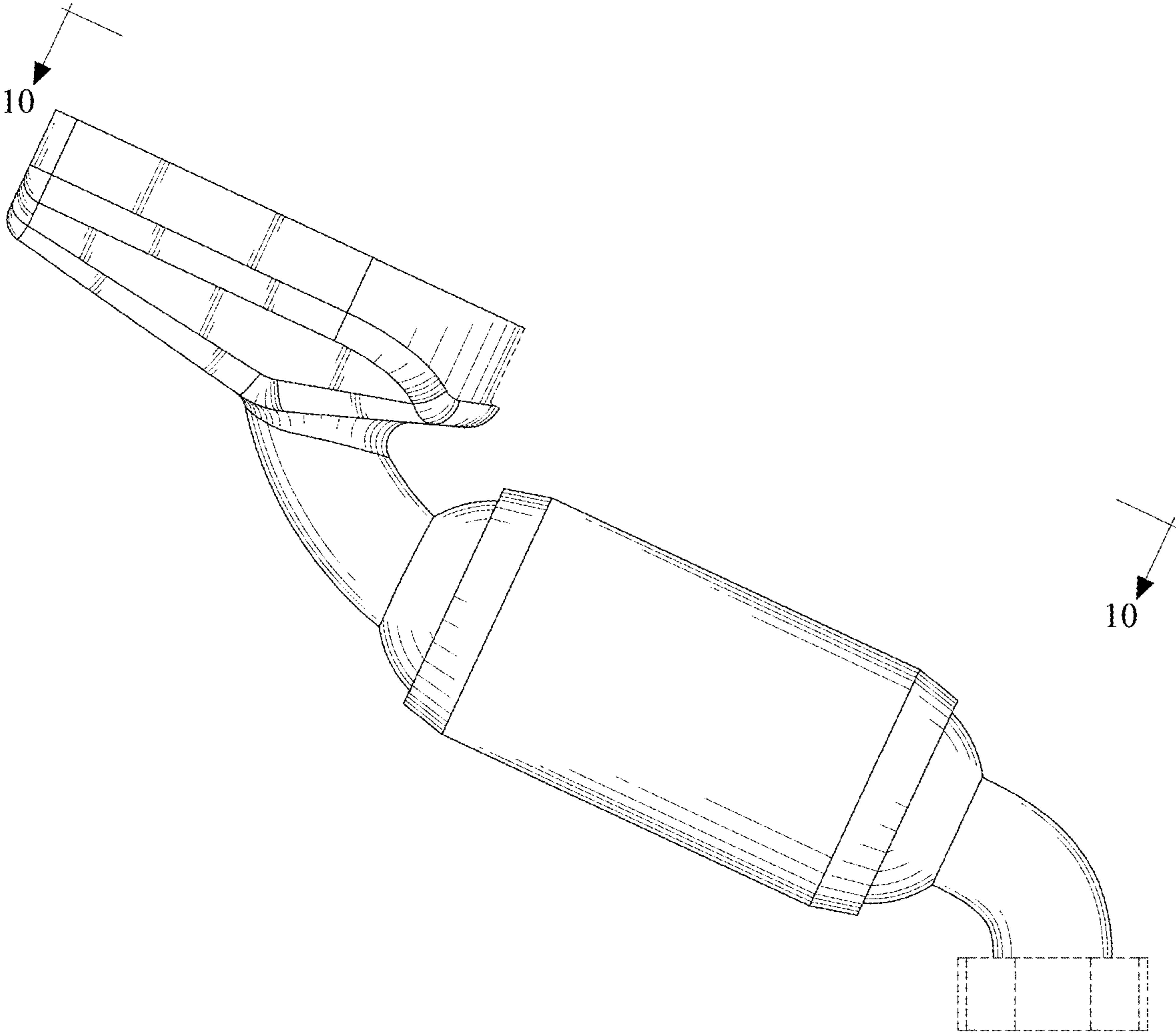


FIG. 5

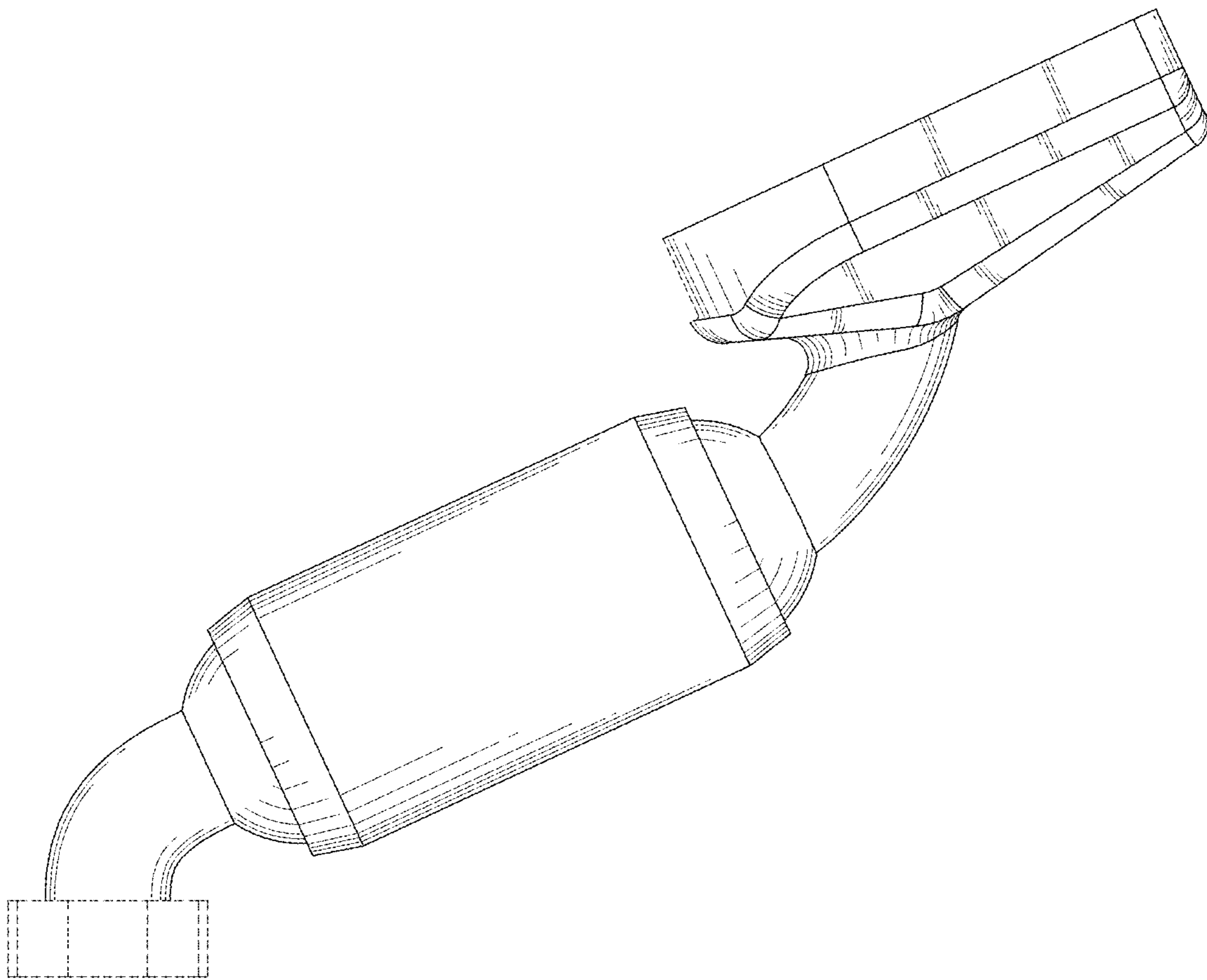


FIG. 6



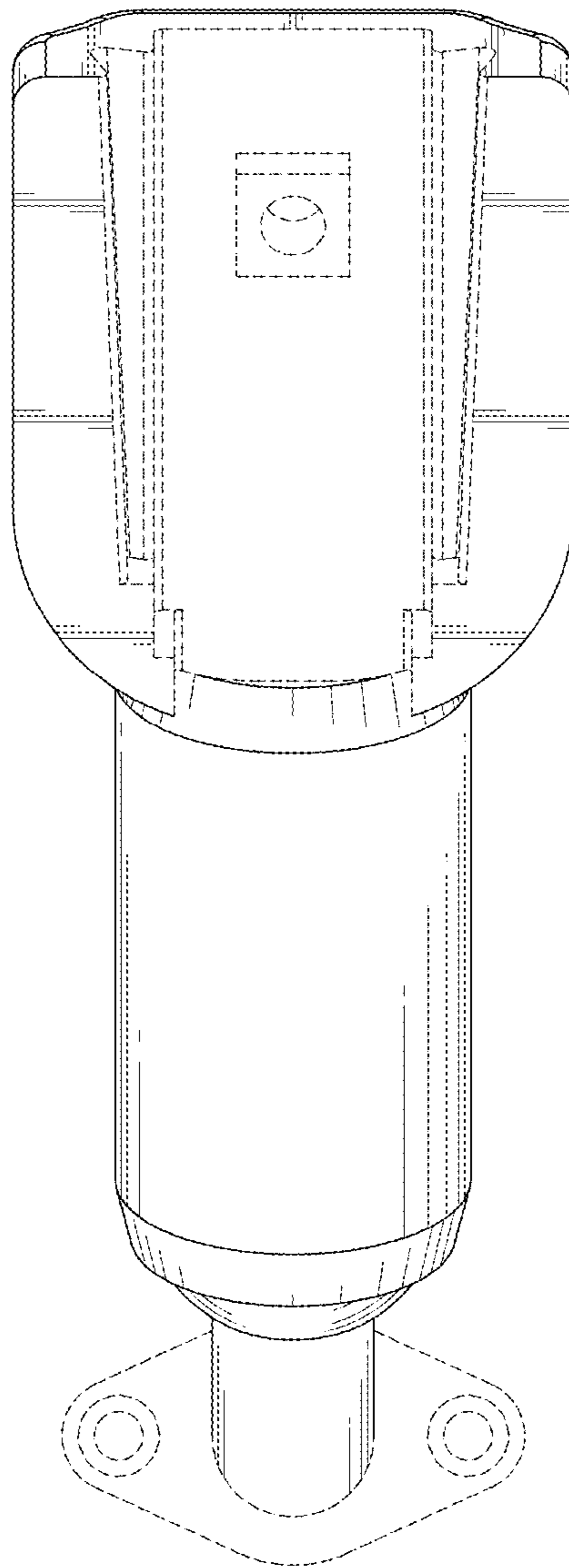


FIG. 7

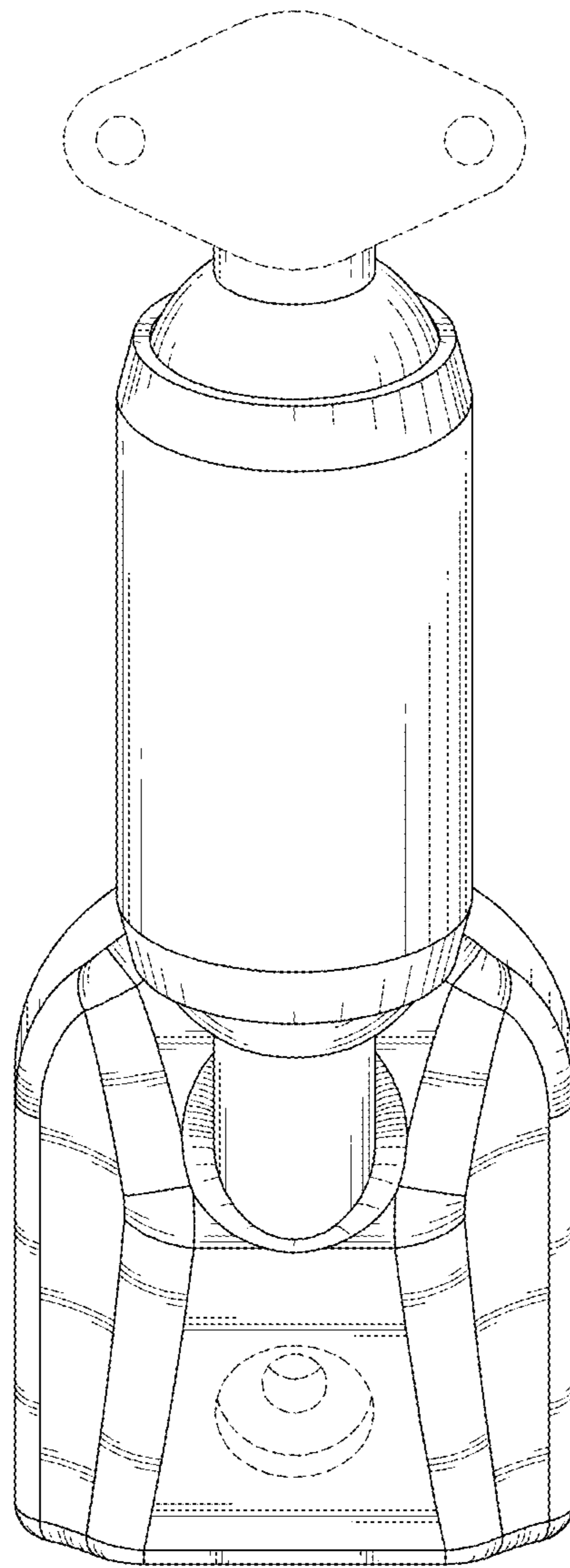


FIG. 8

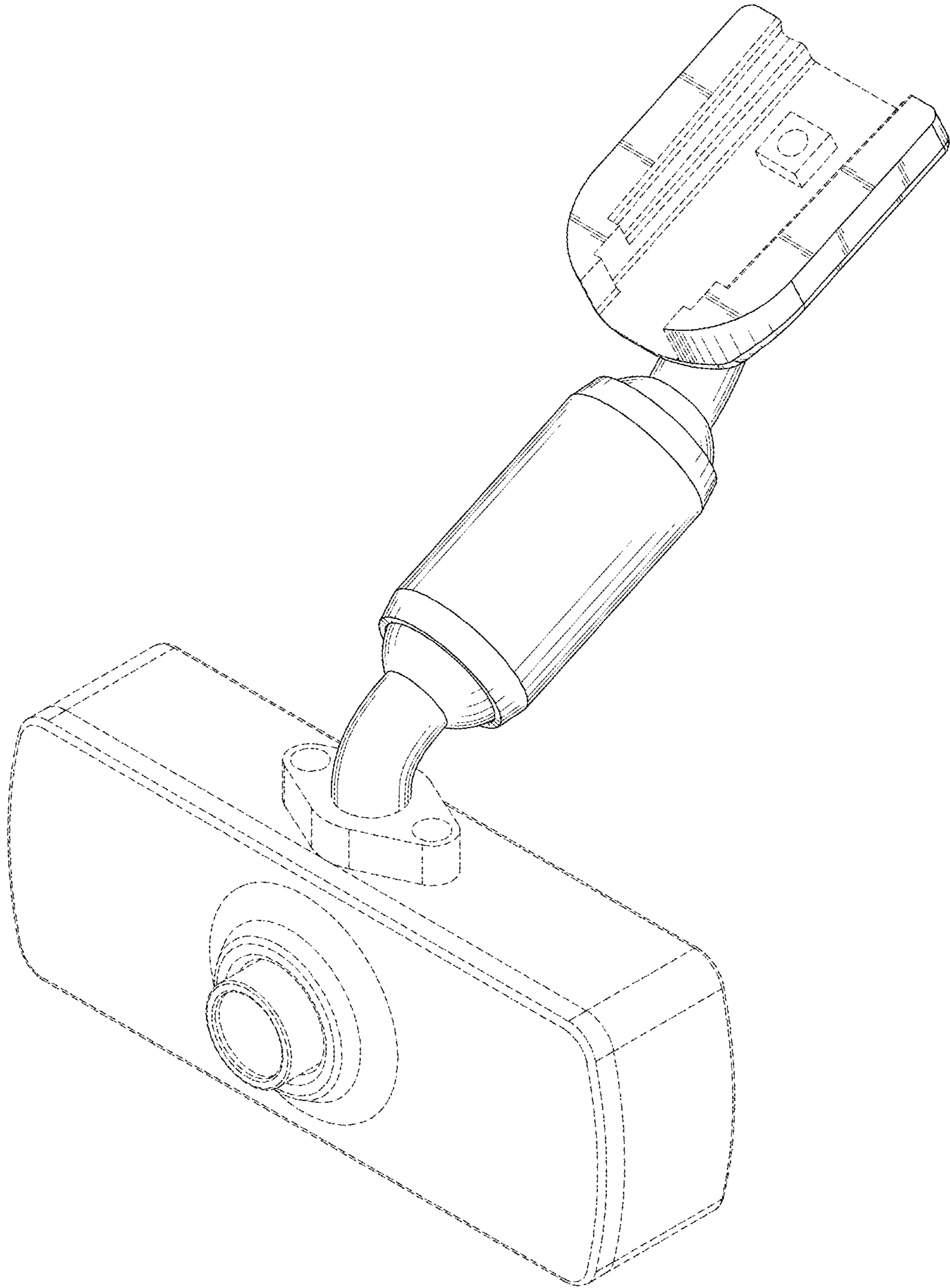


FIG. 9

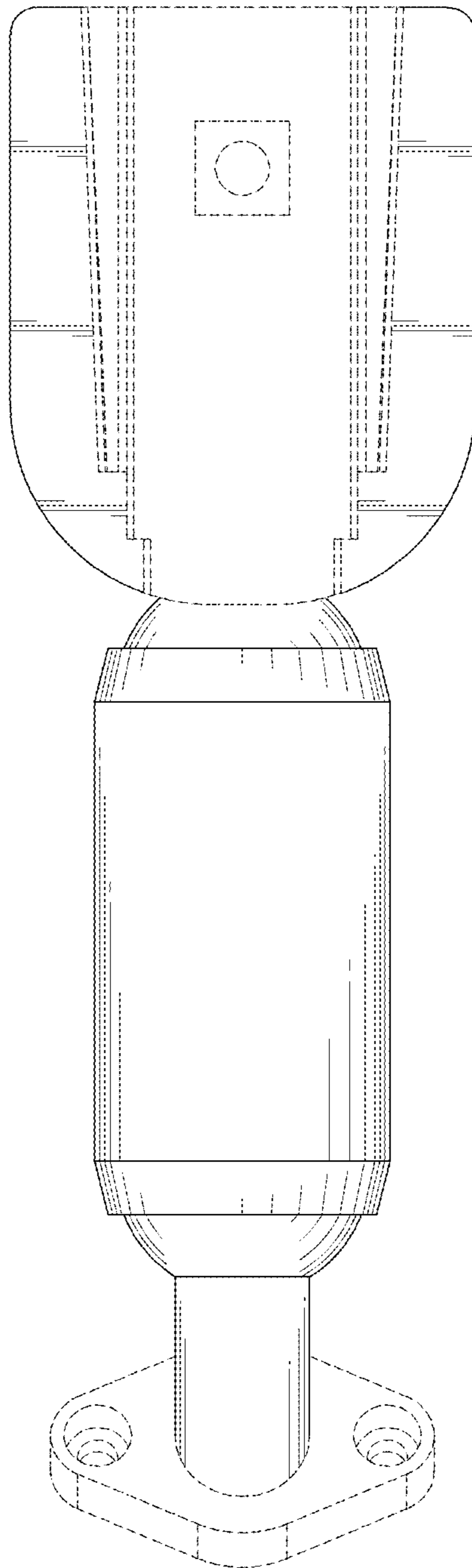


FIG. 10