



US00D965668S

(12) **United States Design Patent** (10) **Patent No.:** **US D965,668 S**  
**Ji et al.** (45) **Date of Patent:** **\*\* Oct. 4, 2022**

(54) **ANNULAR REMOTE CONTROL PHOTOGRAPHY SUPPLEMENT LAMP**  
(71) Applicants: **Chenfan Ji**, Haining (CN); **Sunjian Xu**, Shaoxing (CN)  
(72) Inventors: **Chenfan Ji**, Haining (CN); **Sunjian Xu**, Shaoxing (CN)  
(\*\*) Term: **15 Years**  
(21) Appl. No.: **29/736,893**  
(22) Filed: **Jun. 3, 2020**  
(51) **LOC (13) Cl.** ..... **16-05**  
(52) **U.S. Cl.**  
USPC ..... **D16/239**; D26/106  
(58) **Field of Classification Search**  
USPC ..... D6/308; D8/397-399; D16/209, 239, D16/244, 245; D24/209, 210; D26/2, 3, D26/4, 24, 26, 36, 37, 39, 60, 61, 63, 72, D26/79, 93, 94, 106, 113, 120, 121, 122, D26/123, 124, 118, 130, 131, 132, 133, D26/134, 137, 148, 149, 152, 155, 244  
CPC ..... F16M 11/10; F16M 11/02; F16M 11/20; F16M 11/40; G08B 13/19619; F21L 2003/00; F21L 4/00; F21L 4/005; F21L 4/02; F21L 4/025; F21L 4/027; F21L 4/04; F21L 4/08; F21L 2005/00; F21L 7/00; F21L 11/00; F21L 13/00; F21L 13/04; F21L 13/08; F21L 14/02; F21L 17/00; F21L 19/00; F21L 25/00; G03B 17/02-04; G03B 17/14; G03B 17/56; G03B 21/20-2066; G03B 15/041-0436; G02B 7/02-04; G02B 7/14; F21K 5/023; F21S 8/021; F21S 48/142; F21S 9/02; F21V 33/006; F21V 17/02; F21Y 2101/02  
See application file for complete search history.

FOREIGN PATENT DOCUMENTS

CA 182380 \* 4/2019  
CN 304146974 \* 5/2017  
(Continued)

OTHER PUBLICATIONS

Inkeltech 21inch Ring Light with Tripod and Phone Holder, video review Nov. 29, 2020 [online], [site visited Dec. 6, 2021 ]<URL: https://www.amazon.com/gp/product/B08B34WG11/ref=sw\_img\_1?smid=&th=1> (Year: 2020).\*

(Continued)

*Primary Examiner* — Bao-Yen T Nguyen

*Assistant Examiner* — Loryn K. Leblanc

(74) *Attorney, Agent, or Firm* — Wayne IP LLC

(57) **CLAIM**

The ornamental design for annular remote control photography supplement lamp, as shown and described.

**DESCRIPTION**

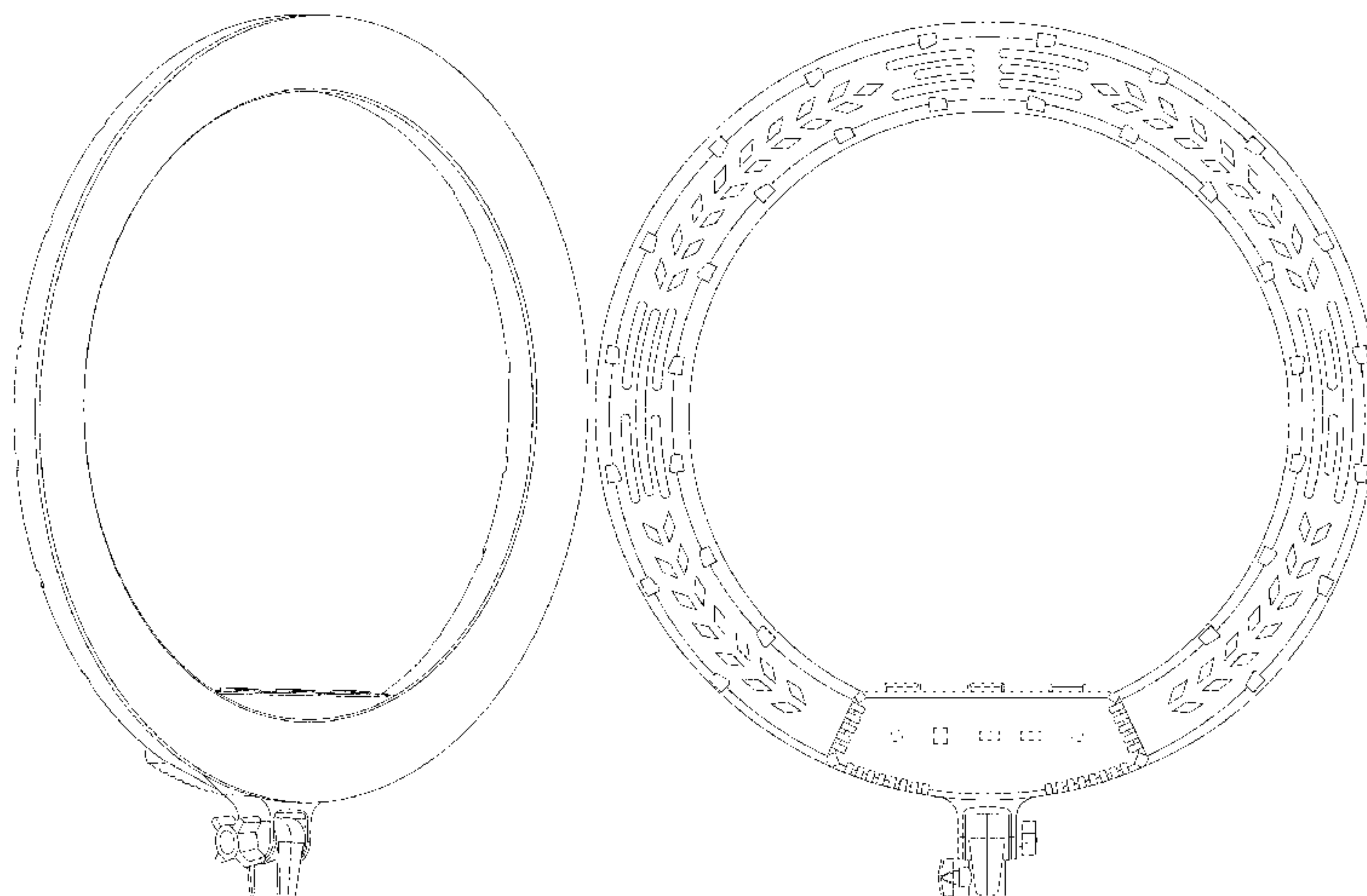
FIG. 1 is a perspective view of annular remote control photography supplement lamp showing my new design; FIG. 2 is a front elevation view thereof; FIG. 3 is a back elevation view thereof; FIG. 4 is a left side view thereof; FIG. 5 is a right side view thereof; FIG. 6 is a top plan view thereof; and, FIG. 7 is a bottom plan view thereof. The broken lines shown in the figures depict portions of the annular remote control photography supplement lamp, that form no part of the claimed design.

**1 Claim, 5 Drawing Sheets**

(56) **References Cited**  
U.S. PATENT DOCUMENTS

D359,346 S \* 6/1995 Martin ..... D23/366  
D547,555 S \* 7/2007 Lo ..... D6/312  
D726,001 S \* 4/2015 Machesky ..... D8/399  
D855,242 S \* 7/2019 Chen ..... D26/106

(Continued)



(56)

References Cited

U.S. PATENT DOCUMENTS

D872,348	S	*	1/2020	Liu	.....	D26/106
D873,328	S	*	1/2020	Shen	.....	D16/239
D877,392	S	*	3/2020	Yu	.....	D26/79
D886,360	S	*	6/2020	Xu	.....	D26/106
D887,052	S	*	6/2020	Xu	.....	D26/39
D887,590	S	*	6/2020	Ke	.....	D26/1
D892,199	S	*	8/2020	Peng	.....	D16/237
D901,054	S	*	11/2020	Zhao	.....	D26/61
D903,185	S	*	11/2020	Li	.....	D26/106
D907,836	S	*	1/2021	Zhou	.....	D26/106
D909,664	S	*	2/2021	Yao	.....	D26/118
D910,220	S	*	2/2021	Wang	.....	D26/63
D910,221	S	*	2/2021	Wang	.....	D26/63
D924,454	S	*	7/2021	Xiong	.....	D26/51
D929,021	S	*	8/2021	Xu	.....	D26/106
D929,026	S	*	8/2021	Feng	.....	D26/106
D929,643	S	*	8/2021	Feng	.....	D26/106
D930,223	S	*	9/2021	Ran	.....	D26/106
D930,224	S	*	9/2021	Lin	.....	D26/106
D930,886	S	*	9/2021	Xiao	.....	D26/106
D932,081	S	*	9/2021	Wang	.....	D26/60
D936,883	S	*	11/2021	Vargas	.....	D26/56
2017/0118385	A1	*	4/2017	Vargas	.....	G03B 17/561
2020/0281054	A1	*	9/2020	Li	.....	H05B 41/39

FOREIGN PATENT DOCUMENTS

CN	305777602	*	5/2020
GB	6139817	*	5/2021
GB	6139818	*	5/2021
GB	6139819	*	5/2021

OTHER PUBLICATIONS

SH 18-inch Ring Light with Tripod Stand, [site visited Dec. 6, 2021]  
 ]<URL: [https://www.amazon.com/gp/product/B089QLK8DY/ref=sw\\_img\\_1?smid=&th=1](https://www.amazon.com/gp/product/B089QLK8DY/ref=sw_img_1?smid=&th=1)> (Year: 2020).\*

Best Ring Light for Video Inkeltech 18" LED Ring Light w/ Phone Mount, video review Apr. 6, 2019 [online], [site visited Jan. 5, 2022],<URL:<https://www.youtube.com/watch?v=FUxBXwKHMpY>> (Year: 2019).\*

Emart 22" Dimmable LED Ring Light, [site visited Jan. 5, 2022],<URL:[https://www.amazon.com/gp/product/B08YY3438N/ref=sw\\_img\\_1?smid=&psc=1](https://www.amazon.com/gp/product/B08YY3438N/ref=sw_img_1?smid=&psc=1)> (Year: 2021).\*

Inkeltech 18" Ring Light with Tripod Stand & 3 Phone Holders, video review Nov. 29, 2020 [online], [site visited Jan. 5, 2022],<URL:[https://www.amazon.com/gp/product/B0967RHTWY/ref=sw\\_img\\_1?smid=&th=1](https://www.amazon.com/gp/product/B0967RHTWY/ref=sw_img_1?smid=&th=1)> (Year: 2021).\*

Ring Light—18" Selfie LED Ring Lights, [site visited Jan. 6, 2022],<URL:[https://www.amazon.com/gp/product/B08KZJF1SQ/ref=sw\\_img\\_1?smid=&th=1](https://www.amazon.com/gp/product/B08KZJF1SQ/ref=sw_img_1?smid=&th=1)> (Year: 2020).\*

18 inch LED Ring Light with 70.8" Tall Tripod Stand and 3 Phone Holder, pictured review Aug. 18, 2020 [online], [site visited Jan. 6, 2022], <URL: [https://www.amazon.com/gp/product/B088QZ69WP/ref=sw\\_img\\_1?smid=&psc=1](https://www.amazon.com/gp/product/B088QZ69WP/ref=sw_img_1?smid=&psc=1)> (Year: 2020).\*

Aduro U-Stream Ring Light Tripod Stand, video review Aug. 4, 2021 [online], [site visited Jan. 6, 2022],<URL: [https://www.amazon.com/gp/product/B08NTJ45YL/ref=sw\\_img\\_1?smid=&psc=1](https://www.amazon.com/gp/product/B08NTJ45YL/ref=sw_img_1?smid=&psc=1)> (Year: 2020).\*

Ring Light 18 Inch with Tripod Stand, video review Nov. 26, 2021 [online], [site visited Jan. 6, 2022],<URL: [https://www.amazon.com/gp/product/B099DXVKKN/ref=sw\\_img\\_1?smid=&psc=1](https://www.amazon.com/gp/product/B099DXVKKN/ref=sw_img_1?smid=&psc=1)> (Year: 2021).\*

MOMIRA 14" LED Ring Light with Tripod Stand 3 Phone Holders, pictured review Jul. 28, 2021 [online], [site visited Jan. 6, 2022],<URL: [https://www.amazon.com/gp/product/B08QW42253/ref=sw\\_img\\_1?smid=&psc=1](https://www.amazon.com/gp/product/B08QW42253/ref=sw_img_1?smid=&psc=1)> (Year: 2020).\*

Elegant Choise Ring Light 12" LED camera ringlight, [site visited Jan. 6, 2022],<URL:[https://www.amazon.com/gp/product/B08L3LL43X/ref=sw\\_img\\_1?smid=&th=1](https://www.amazon.com/gp/product/B08L3LL43X/ref=sw_img_1?smid=&th=1)> (Year: 2020).\*

\* cited by examiner

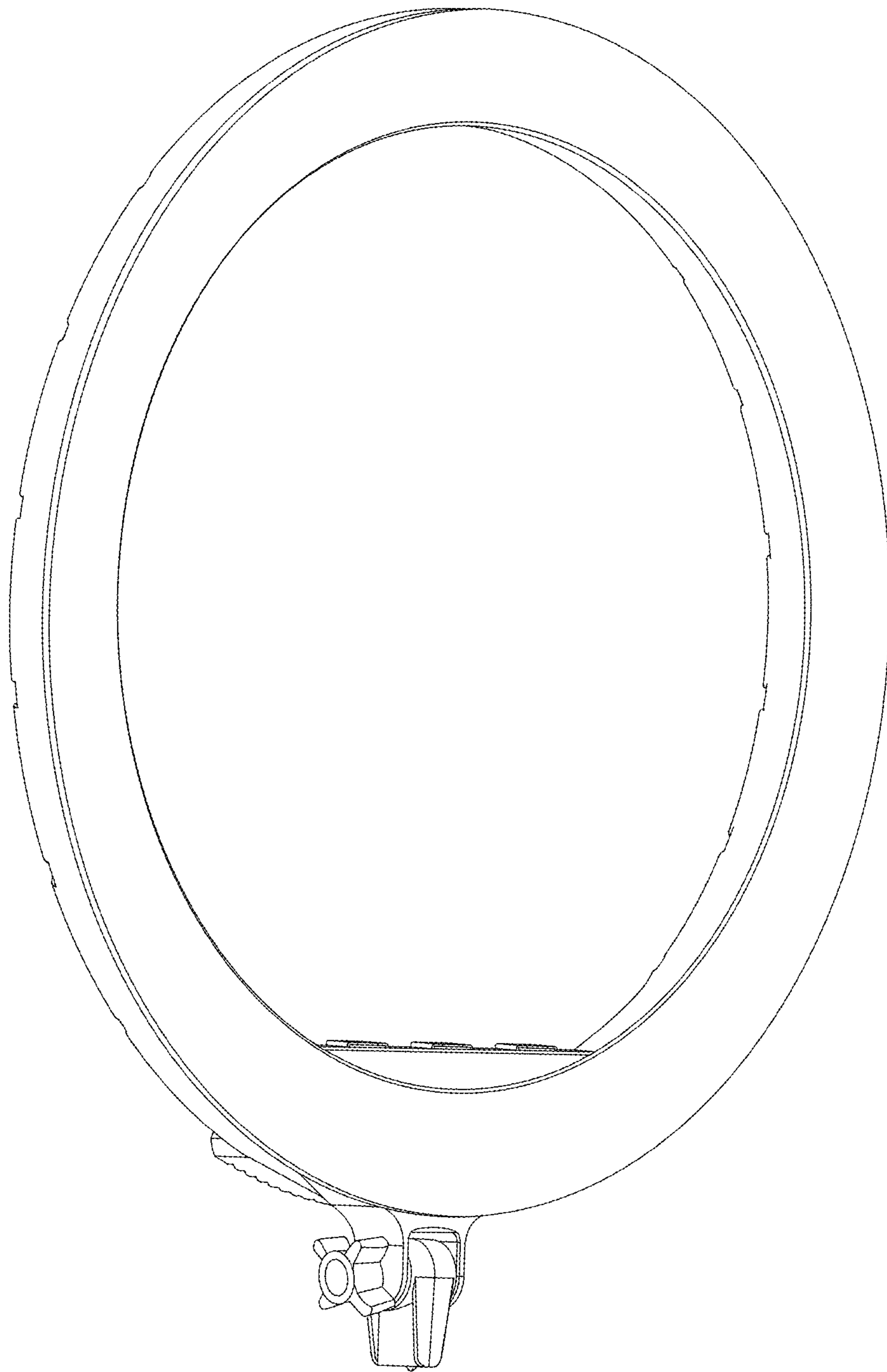


FIG. 1



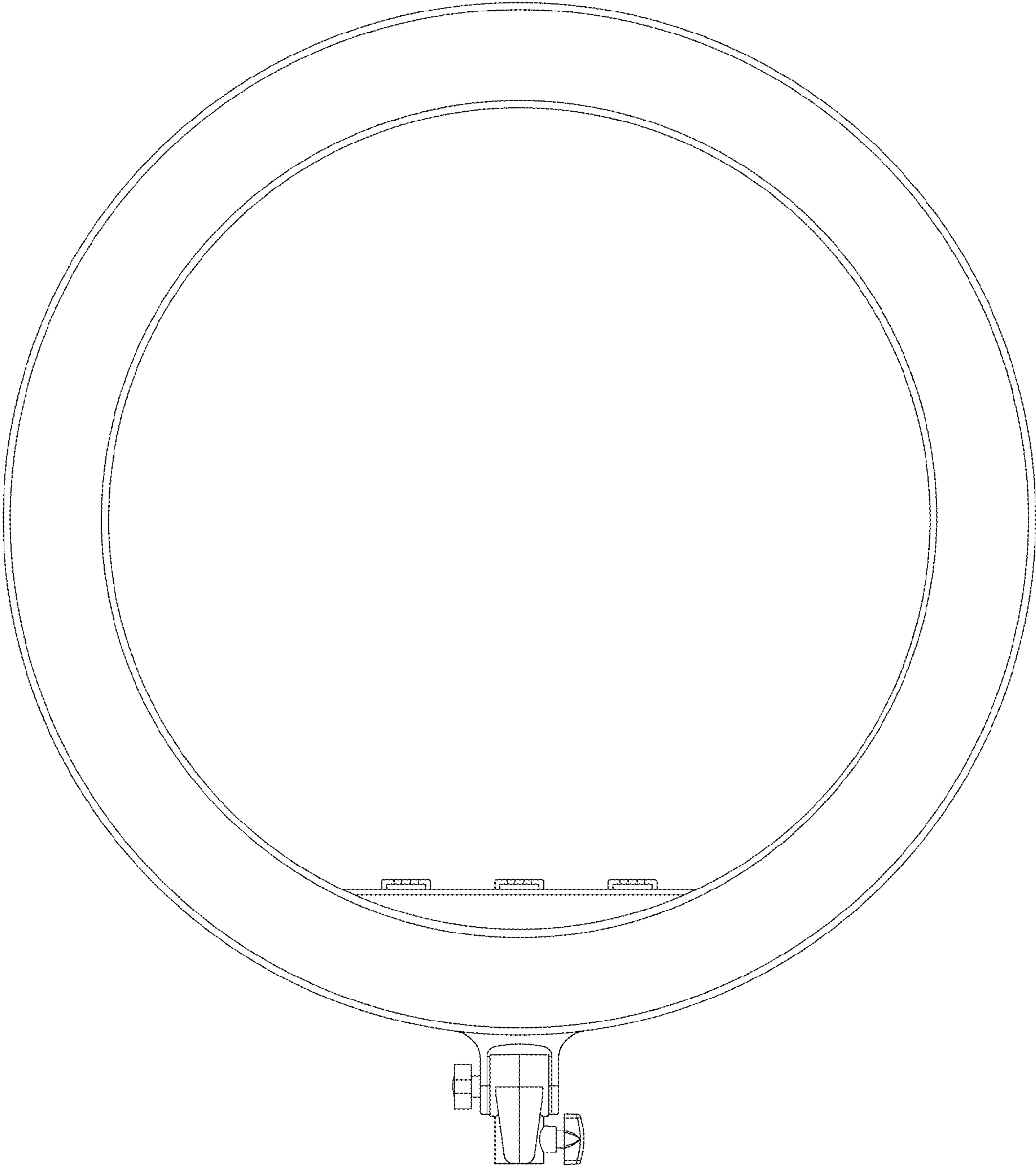


FIG. 2

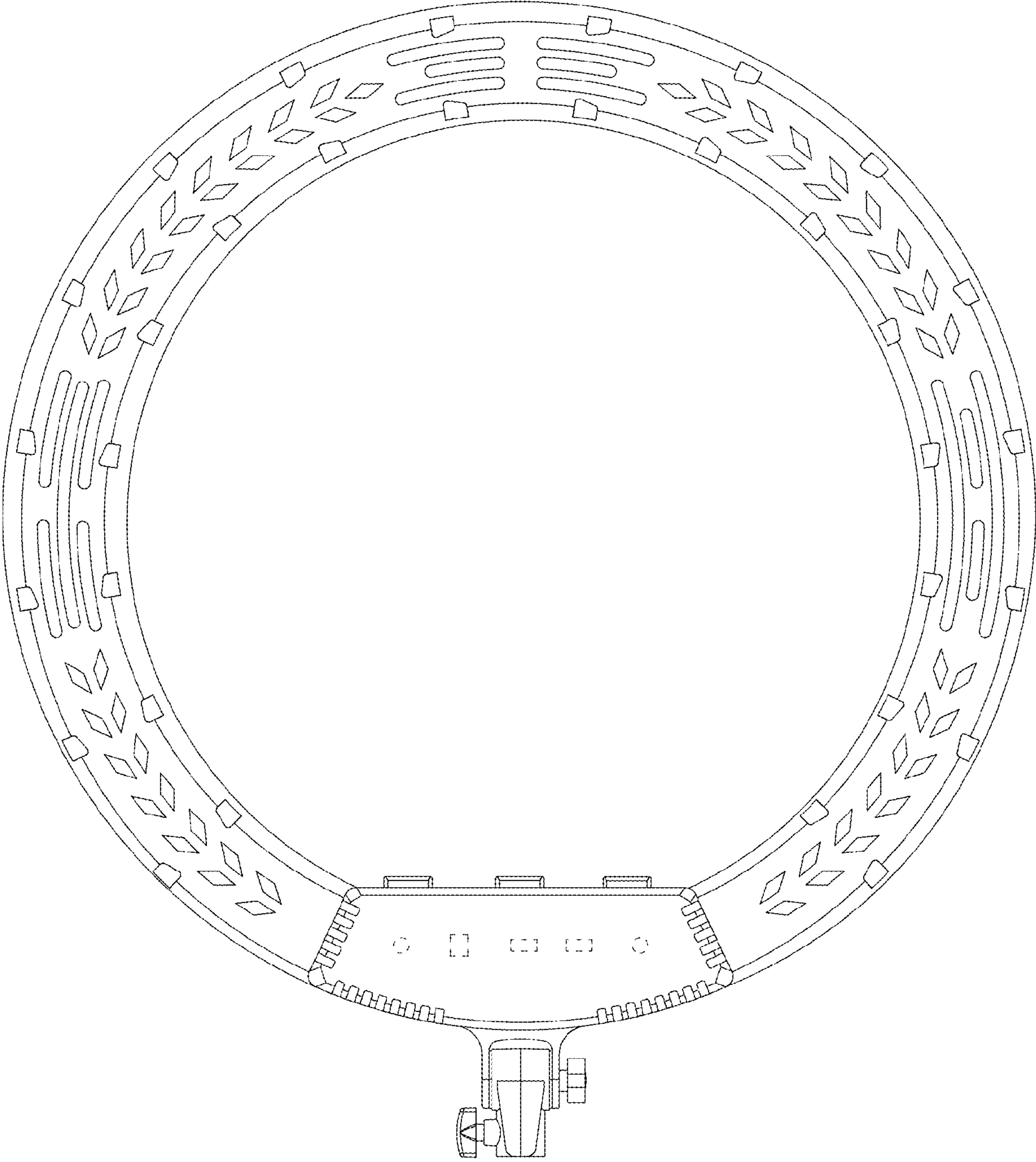


FIG. 3

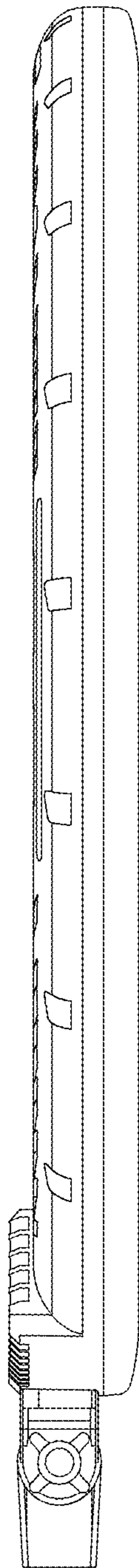


FIG. 4

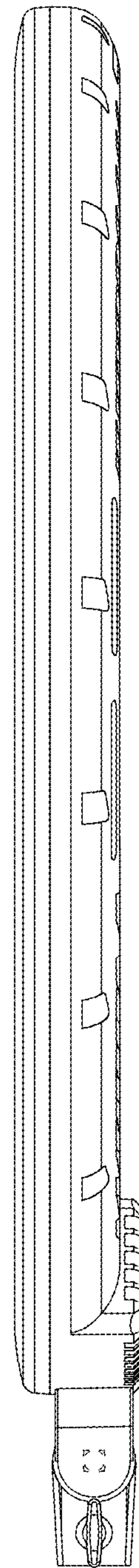


FIG. 5

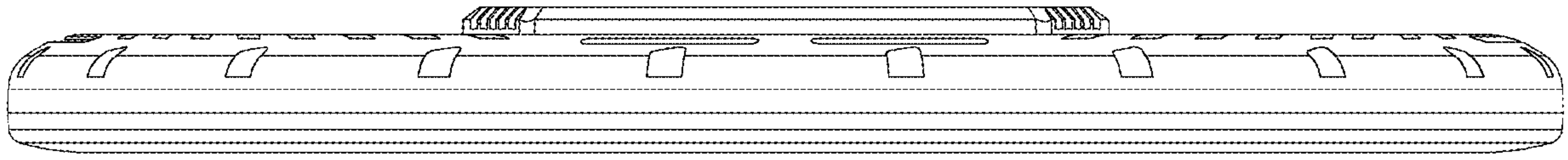


FIG. 6

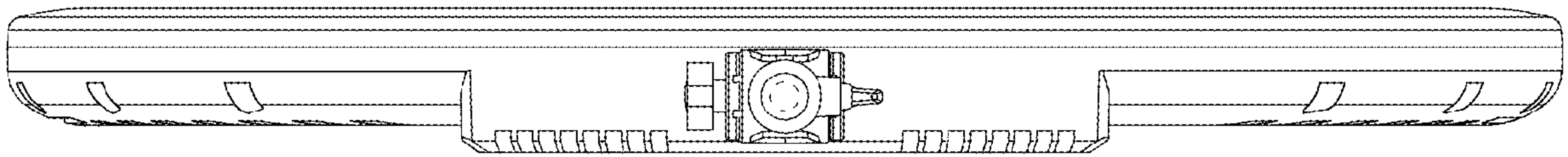


FIG. 7