



US00D965667S

(12) **United States Design Patent**
Li

(10) **Patent No.:** **US D965,667 S**

(45) **Date of Patent:** **** Oct. 4, 2022**

(54) **PROJECTOR**

(71) Applicant: **Shenzhen Wanjiang Technology Co., Ltd.**, Shenzhen (CN)

(72) Inventor: **Mingli Li**, Yueyang (CN)

(73) Assignee: **Shenzhen Wanjiang Technology Co., Ltd.**, Shenzhen (CN)

(**) Term: **15 Years**

(21) Appl. No.: **29/791,047**

(22) Filed: **Dec. 28, 2021**

(51) **LOC (13) Cl.** **16-02**

(52) **U.S. Cl.**
USPC **D16/234; D16/231**

(58) **Field of Classification Search**
USPC D16/221, 225, 229–231, 234–235;
D21/514; D14/134
CPC G03B 21/16; G03B 21/00; G03B 21/003;
G03B 21/001; G03B 21/14; G03B 21/145
See application file for complete search history.

(56) **References Cited**

U.S. PATENT DOCUMENTS

D204,032 S * 3/1966 Herbst D16/234
3,344,710 A * 10/1967 Bersudsky G03B 23/12
D16/225
8,955,979 B2 * 2/2015 Velazquez G03B 21/14
313/500
D857,781 S * 8/2019 Wang D16/225

D863,408 S * 10/2019 Zheng D16/231
D902,983 S * 11/2020 Yin D16/231
D919,692 S * 5/2021 Deng D16/234
D921,091 S 6/2021 Wu
D923,078 S 6/2021 Ryu et al.
D933,117 S * 10/2021 Li D16/234
D933,734 S 10/2021 Xu
D934,944 S * 11/2021 Huang D16/234
2018/0084921 A1 * 3/2018 Huang G03B 21/145

* cited by examiner

Primary Examiner — Wan Laymon

(74) *Attorney, Agent, or Firm* — Zhihua Han

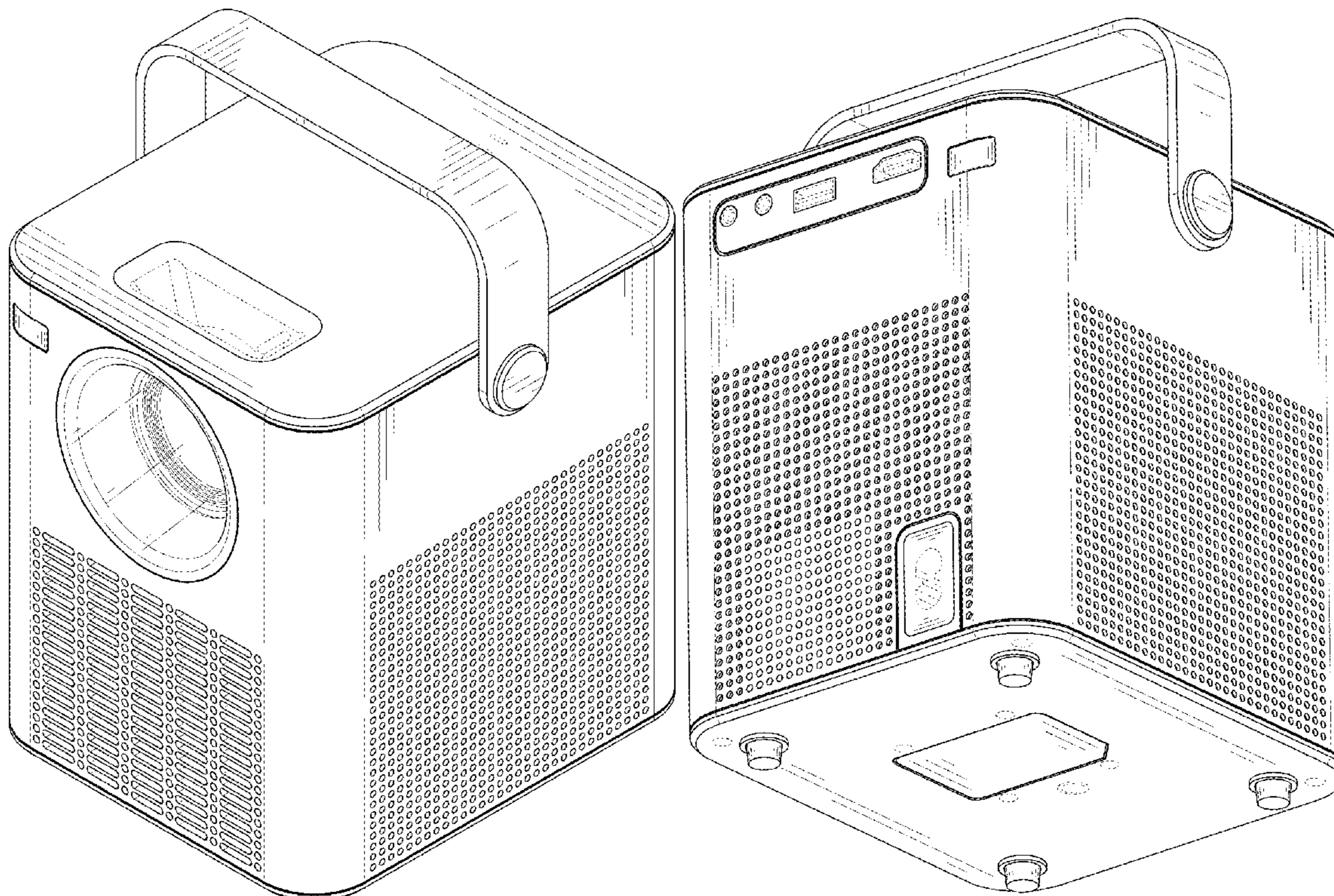
(57) **CLAIM**

The ornamental design for a projector, as shown and described.

DESCRIPTION

FIG. 1 is a first perspective view of a projector showing my new design;
FIG. 2 is a second perspective view thereof;
FIG. 3 is a front view thereof;
FIG. 4 is a back view thereof;
FIG. 5 is a left side view thereof;
FIG. 6 is a right side view thereof;
FIG. 7 is a top view thereof; and,
FIG. 8 is a bottom view thereof.
The broken lines shown in the drawings depict portions of the projector in which the design is embodied that form no part of the claimed design.

1 Claim, 8 Drawing Sheets



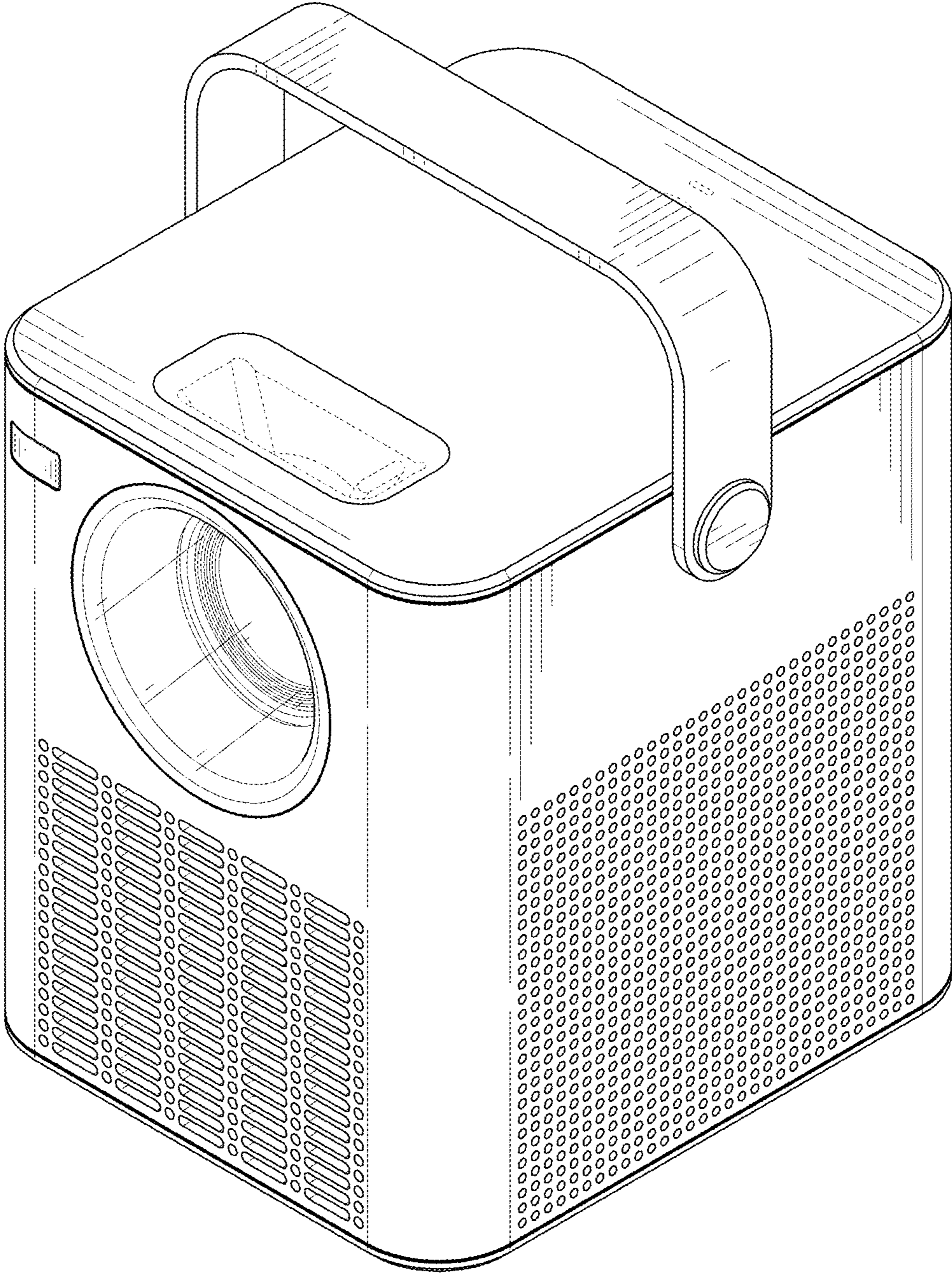


FIG. 1

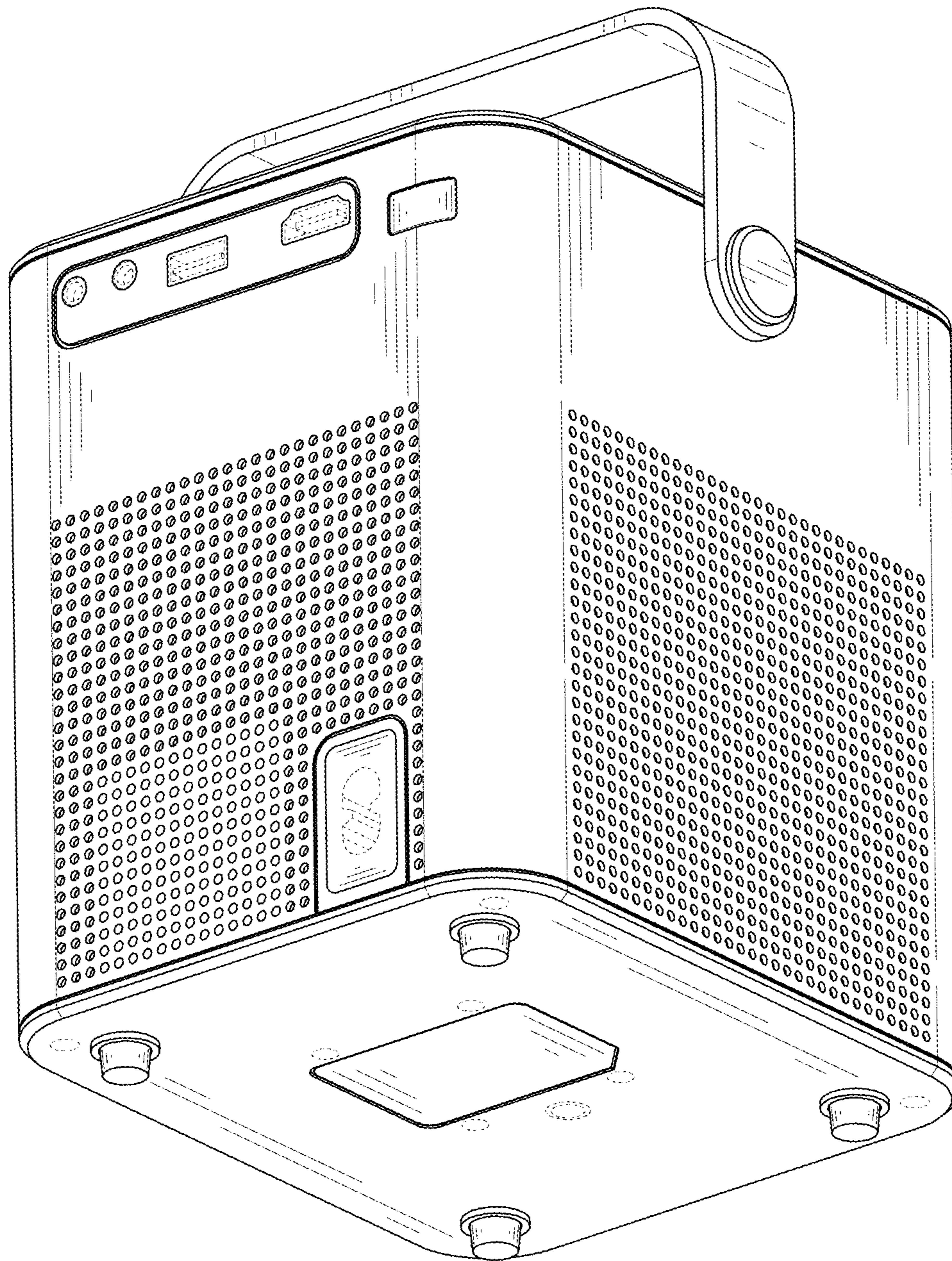


FIG. 2

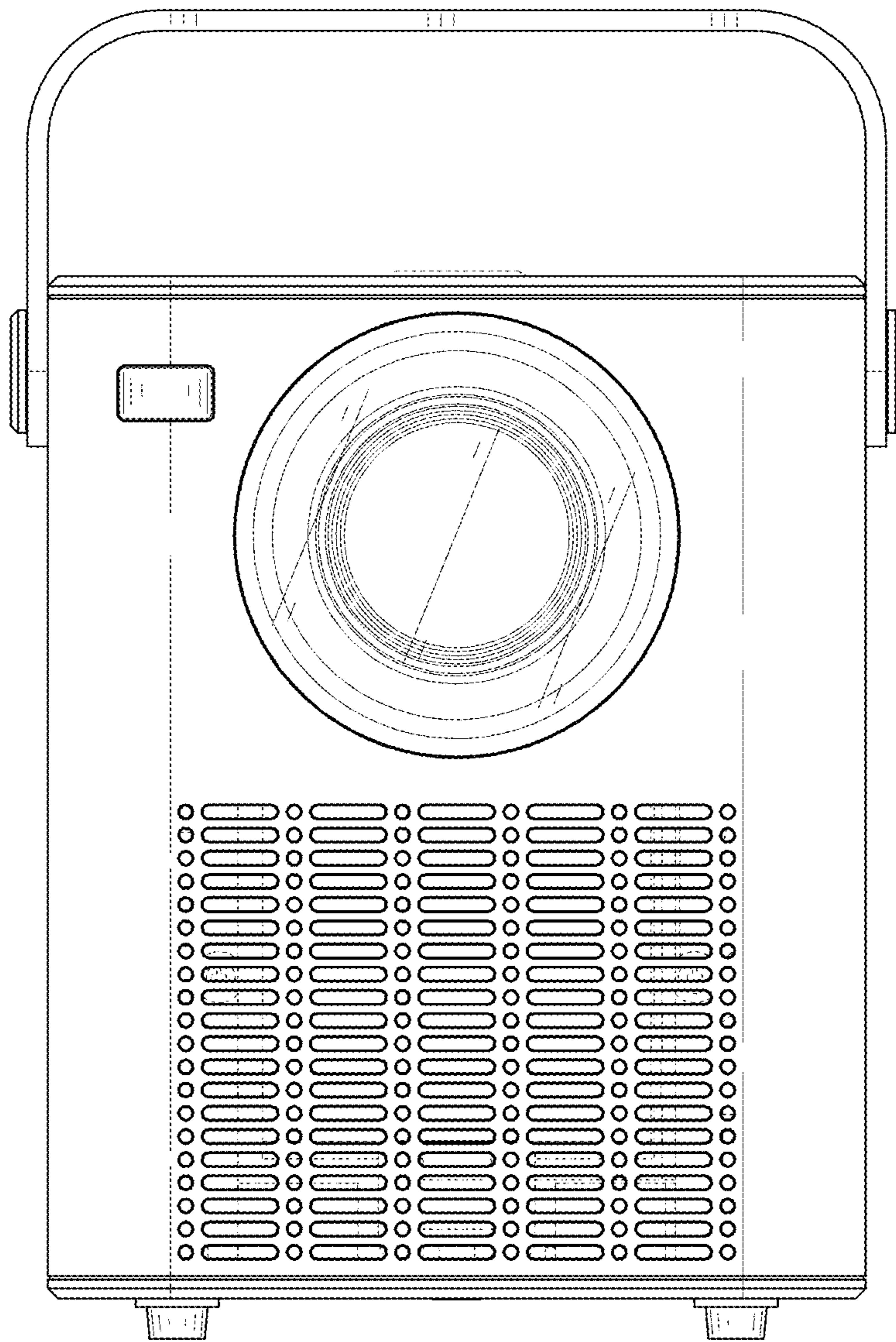


FIG. 3

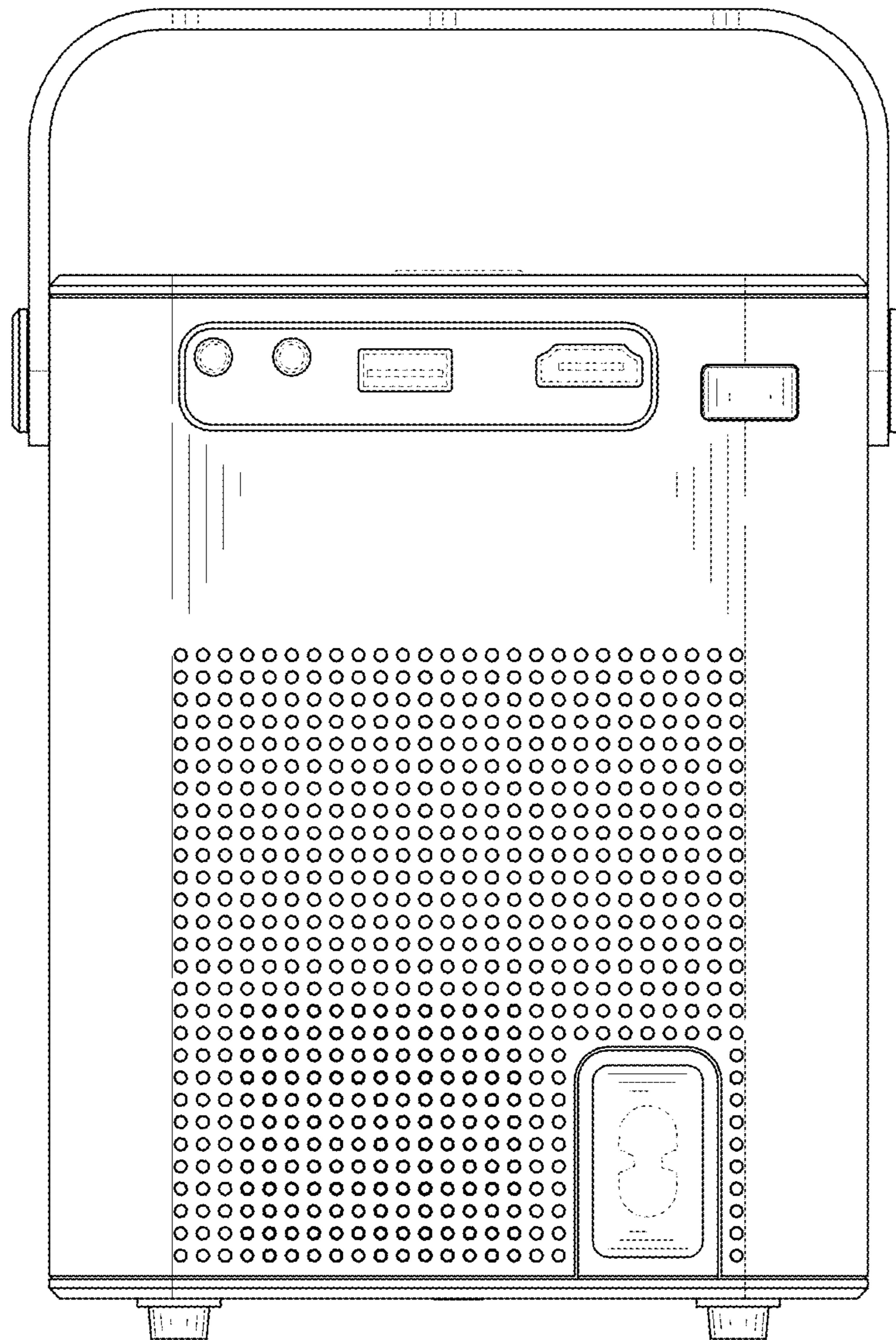


FIG. 4

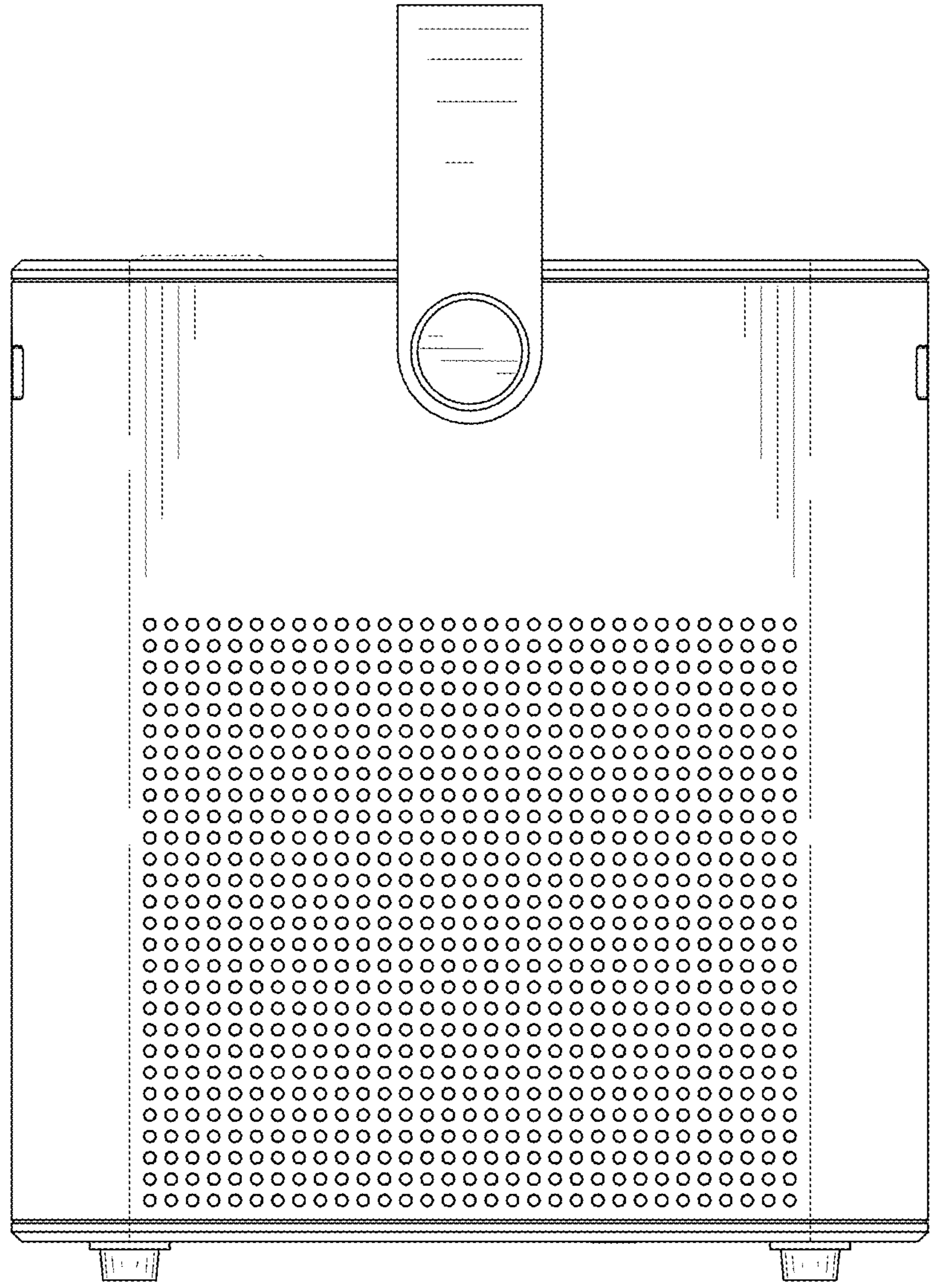


FIG. 5

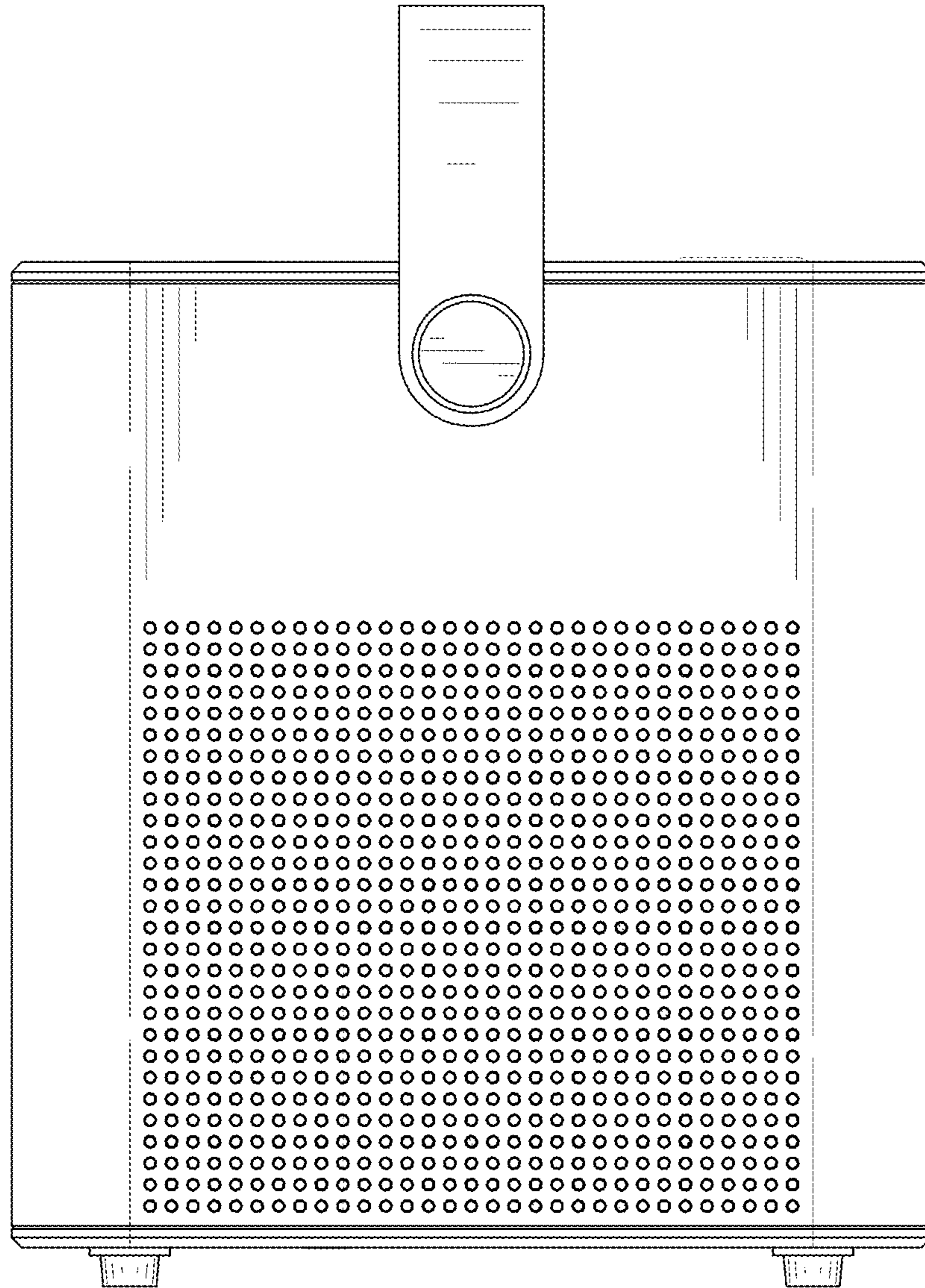


FIG. 6

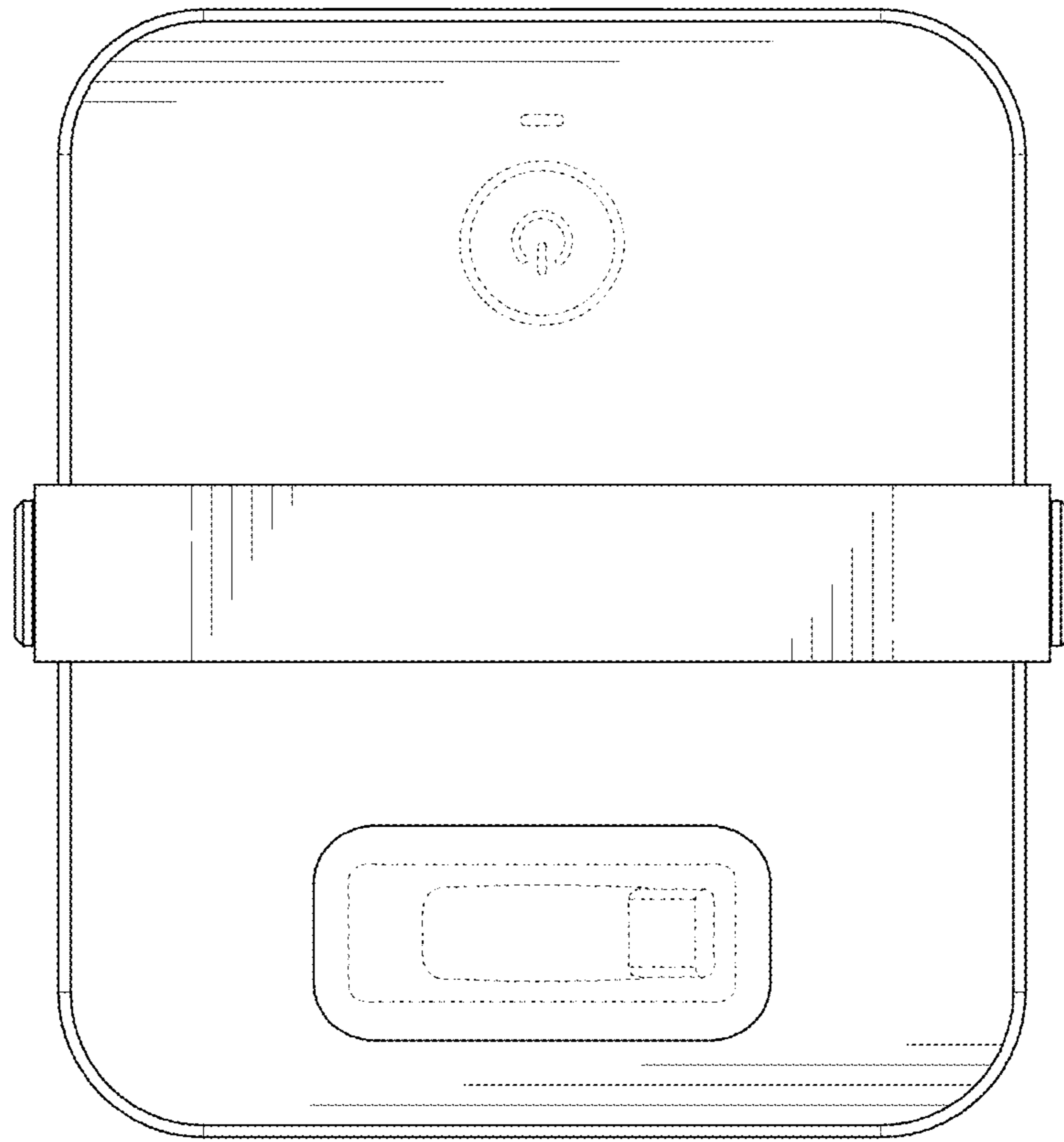


FIG. 7

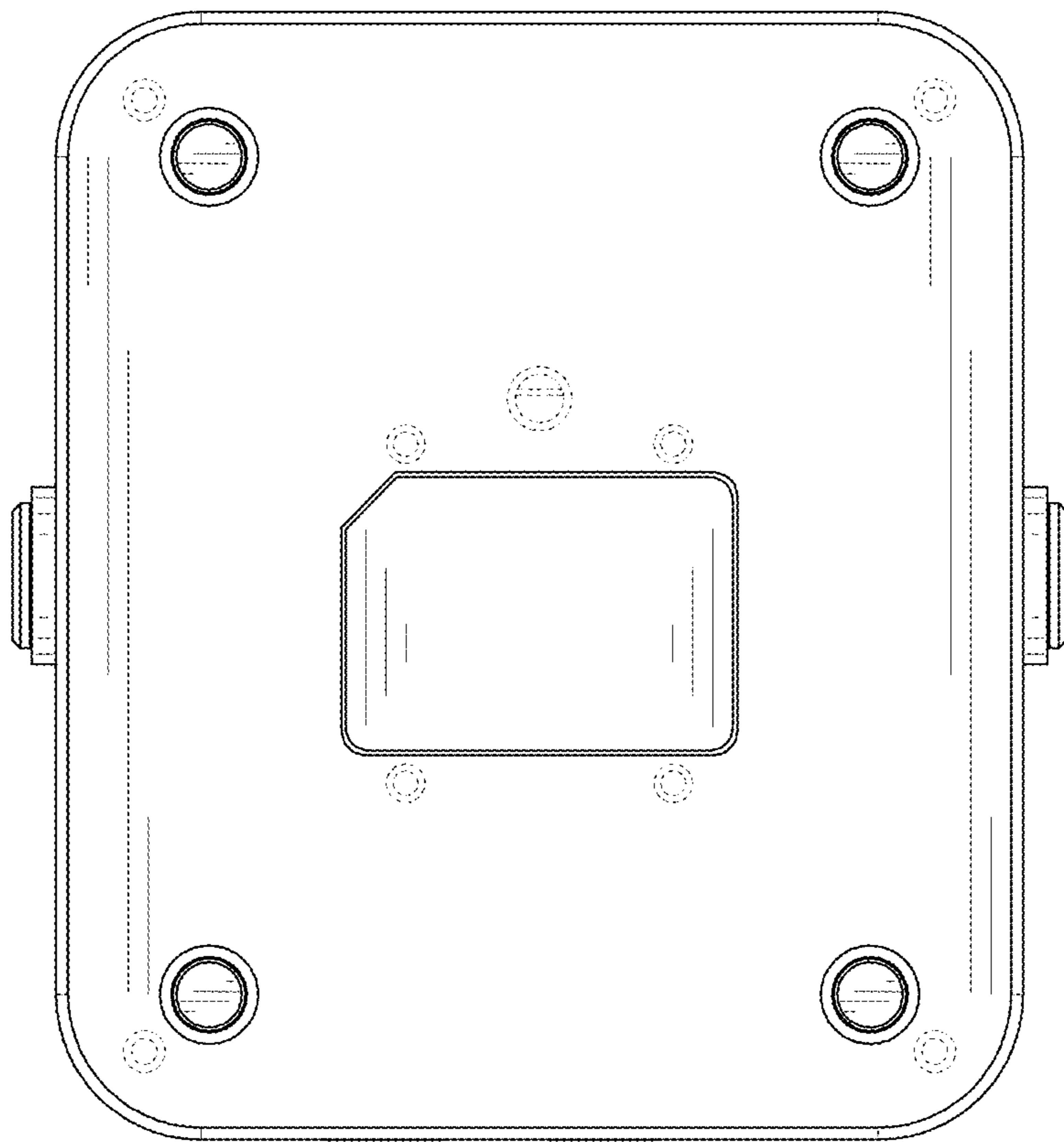


FIG. 8