



US00D965666S

(12) **United States Design Patent**
Gao

(10) **Patent No.:** **US D965,666 S**

(45) **Date of Patent:** **** Oct. 4, 2022**

(54) **PROJECTOR**

(71) Applicant: **Yong Gao**, Shanghai (CN)

(72) Inventor: **Yong Gao**, Shanghai (CN)

(**) Term: **15 Years**

(21) Appl. No.: **29/756,489**

(22) Filed: **Oct. 29, 2020**

(30) **Foreign Application Priority Data**

Apr. 30, 2020 (CN) 202030192828.8

(51) **LOC (13) Cl.** **16-02**

(52) **U.S. Cl.**
USPC **D16/229**; D14/423; D16/232

(58) **Field of Classification Search**
USPC D16/221, 225, 229-233, 214, 235;
D14/149, 423

CPC G03B 21/58; G03B 21/142; G03B 17/54;
G03B 21/00; G03B 21/132; G03B 21/14;
H04N 1/19594; H04N 1/195; H04N
5/2252; H04N 1/00519; H04N 2201/045;
H04N 1/00535; H04N 2201/0089; H04N
2201/0096; G02B 27/01

See application file for complete search history.

(56) **References Cited**

U.S. PATENT DOCUMENTS

D376,586 S *	12/1996	Shinano	D16/232
D401,953 S *	12/1998	Oh	D16/232
D425,098 S *	5/2000	Oh	D16/232
D569,890 S *	5/2008	Sukenari	D16/232
7,815,378 B2 *	10/2010	Sukenari	H04N 1/195 396/419
D633,126 S *	2/2011	Park	D16/232
D663,761 S *	7/2012	Kato	D16/232
D680,148 S *	4/2013	Unno	D16/208
D686,268 S *	7/2013	Dunn	D16/232

8,668,395 B2 *	3/2014	Mameda	H04N 1/19594 396/428
D782,558 S *	3/2017	Tabuchi	D16/232
2010/0187378 A1 *	7/2010	Yamakose	H04N 1/19594 248/184.1
2010/0188562 A1 *	7/2010	Yamakose	H04N 1/19594 348/373
2010/0194973 A1 *	8/2010	Yamakose	H04N 1/19594 348/373

* cited by examiner

Primary Examiner — Wan Laymon

(74) *Attorney, Agent, or Firm* — Opes IP Consulting Co. Ltd.

(57) **CLAIM**

The ornamental design for a projector, as shown and described.

DESCRIPTION

FIG. 1 is a perspective view of a projector showing my new design;

FIG. 2 is a front view thereof;

FIG. 3 is a rear view thereof;

FIG. 4 is a right view thereof;

FIG. 5 is a left view thereof;

FIG. 6 is a top view thereof;

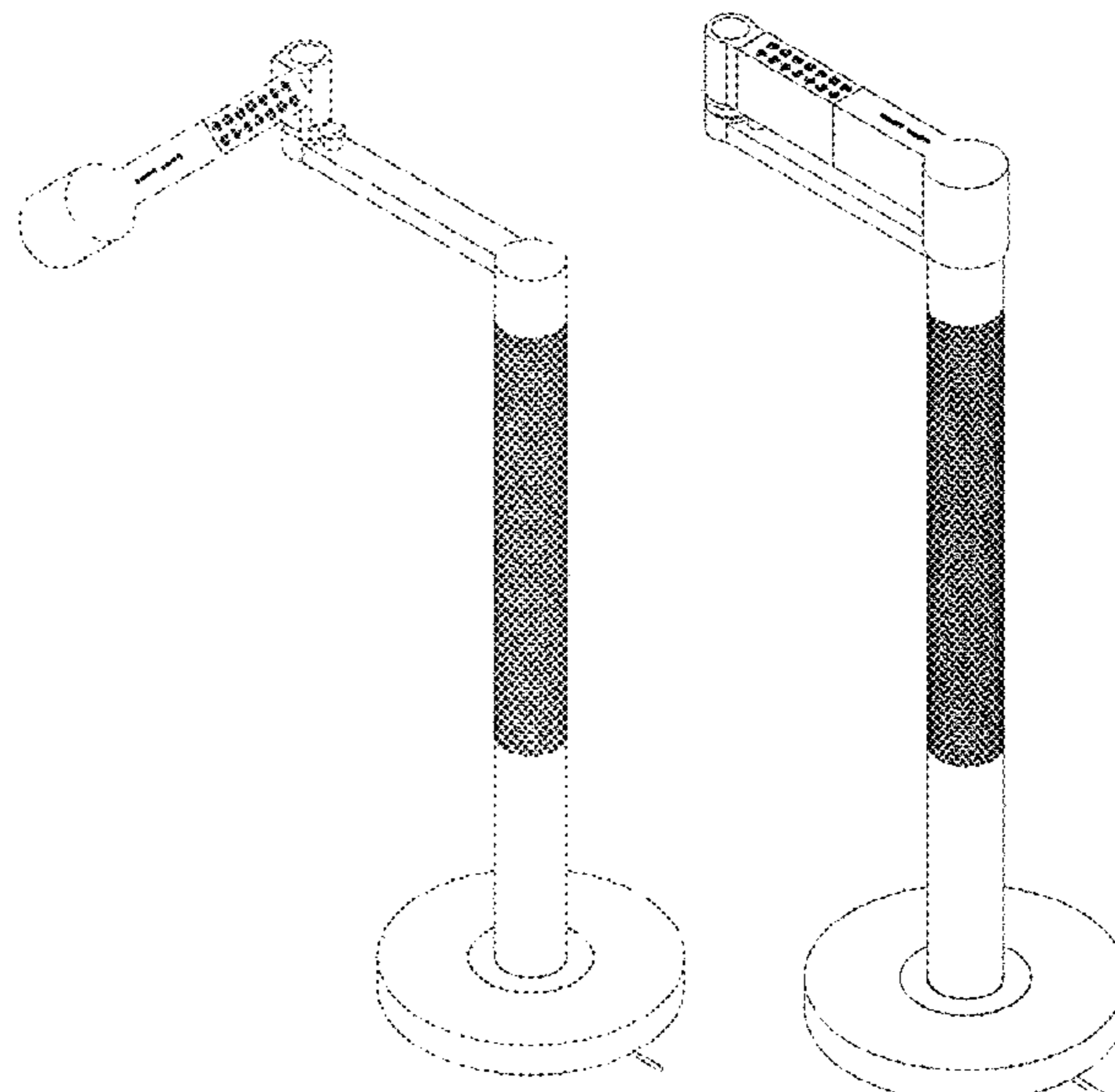
FIG. 7 is a bottom view thereof;

FIG. 8 is a perspective view thereof showing the rotation of certain components of the projector in the directions indicated by arrows; and,

FIG. 9 is a perspective view thereof showing the folded state of the projector.

The broken lines in the drawings depict portions of the projector and form no part of the claimed design. The broken lines with arrows in FIG. 8 are for purposes of illustrating the rotation directions only and form no part of the claimed design.

1 Claim, 9 Drawing Sheets



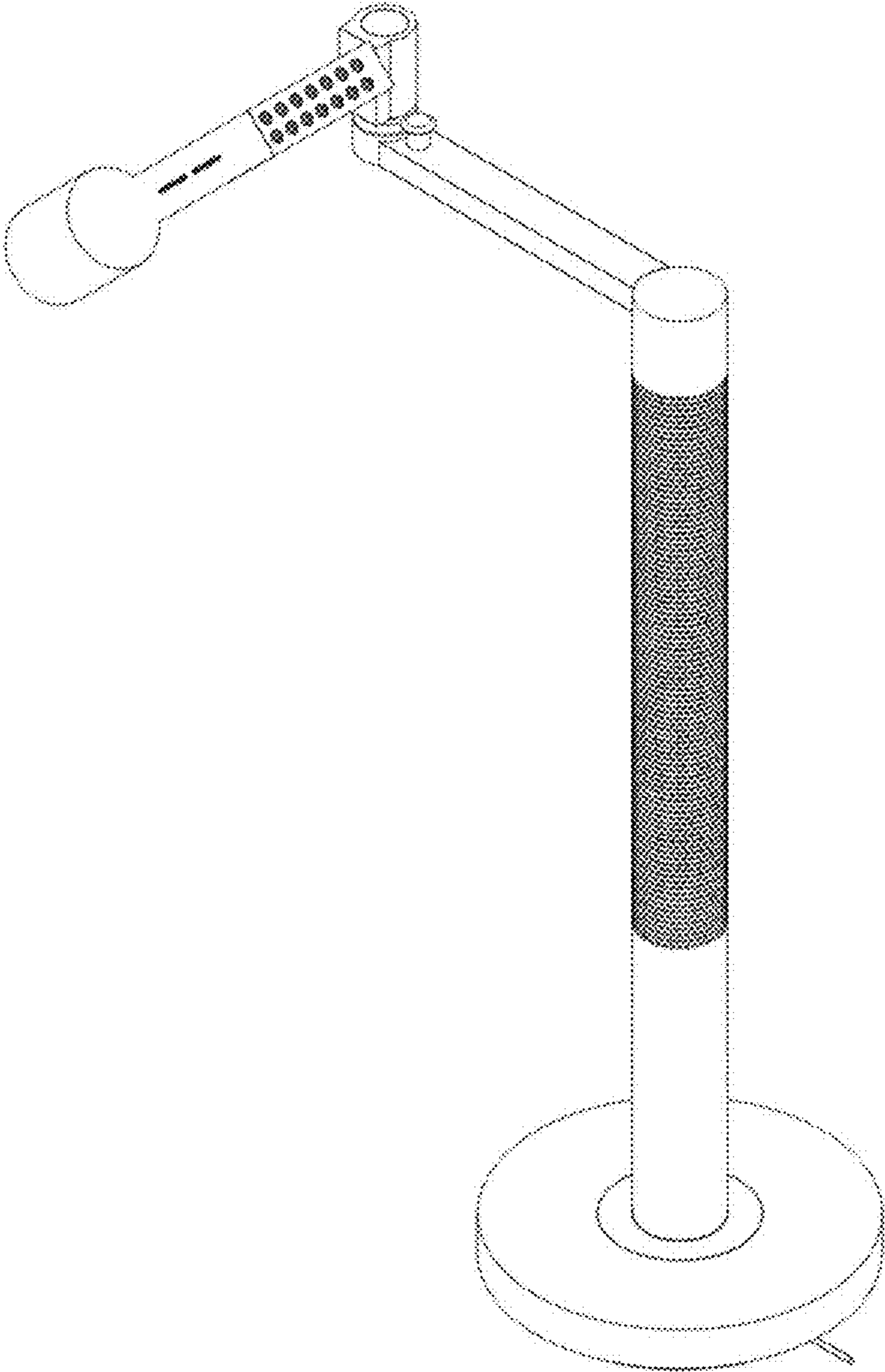


FIG. 1

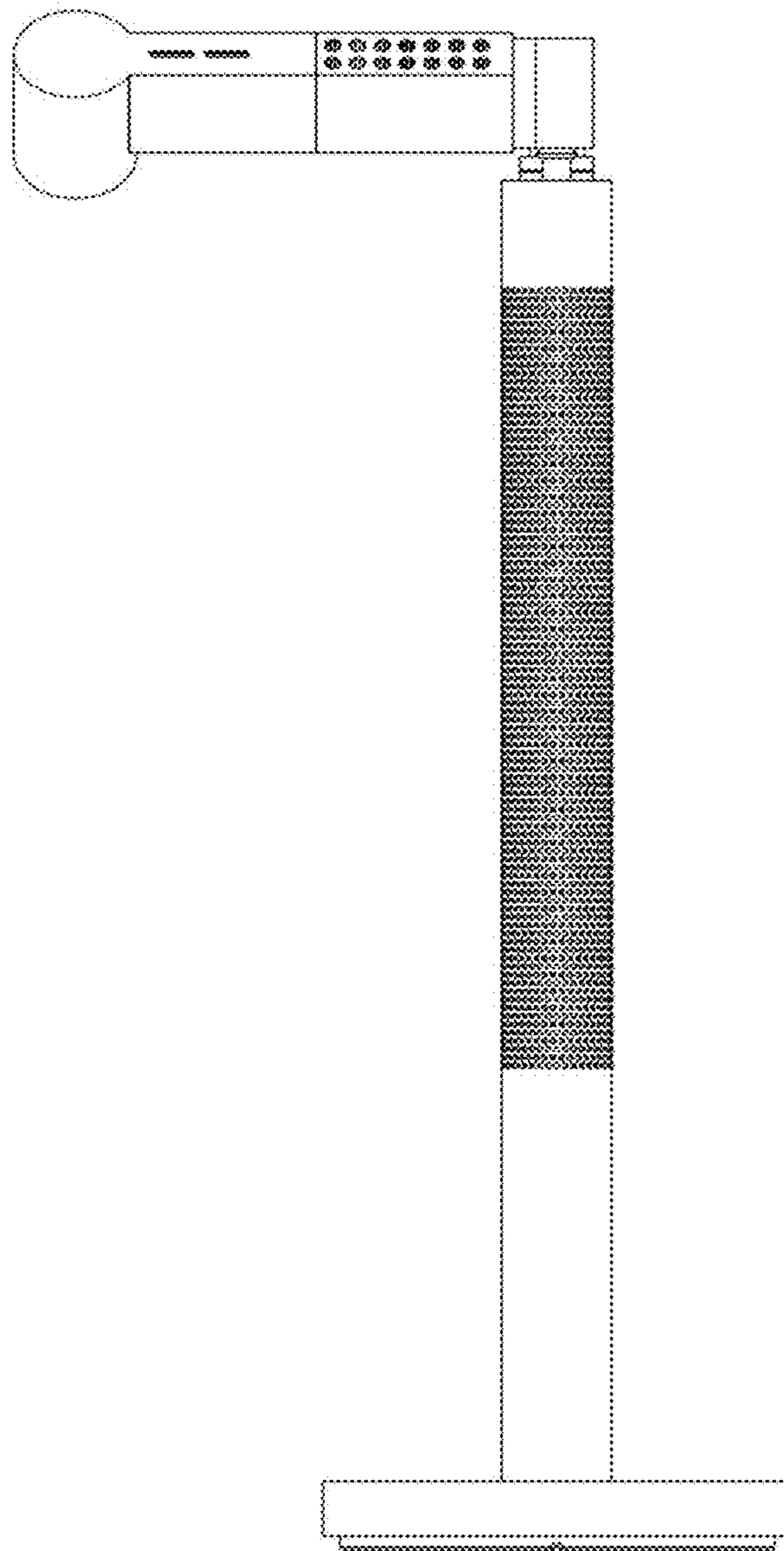


FIG. 2

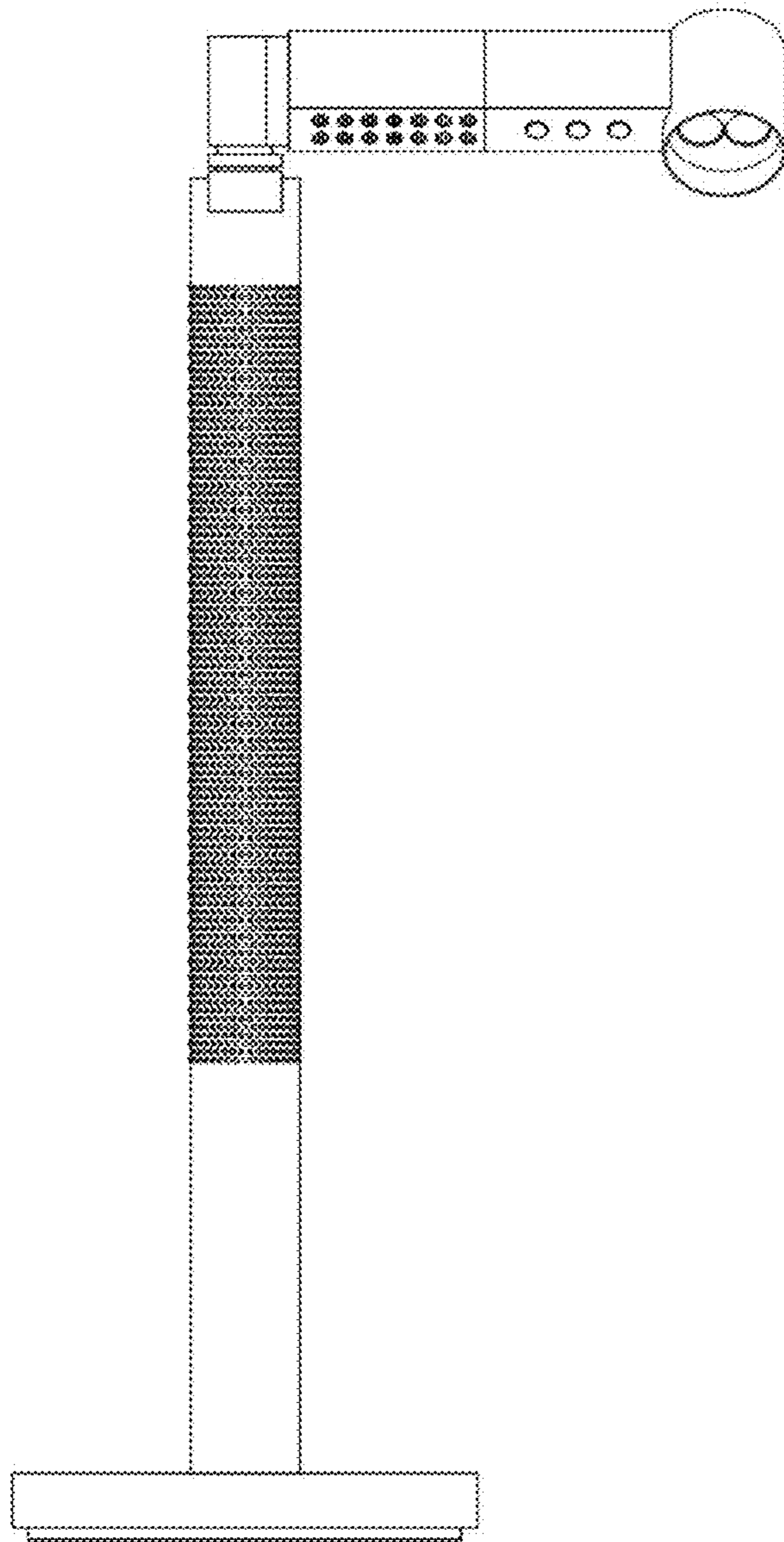


FIG. 3

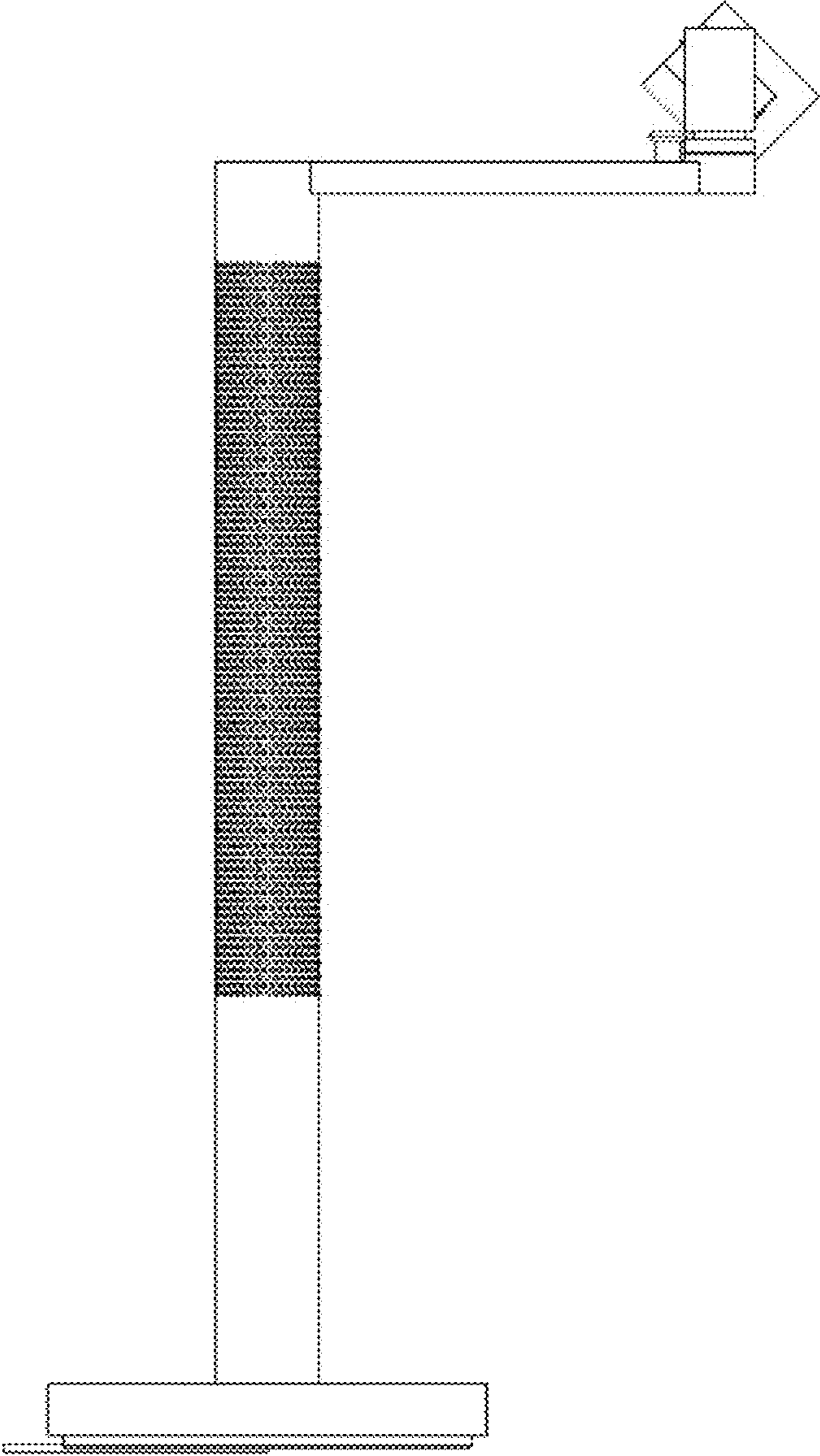


FIG. 4

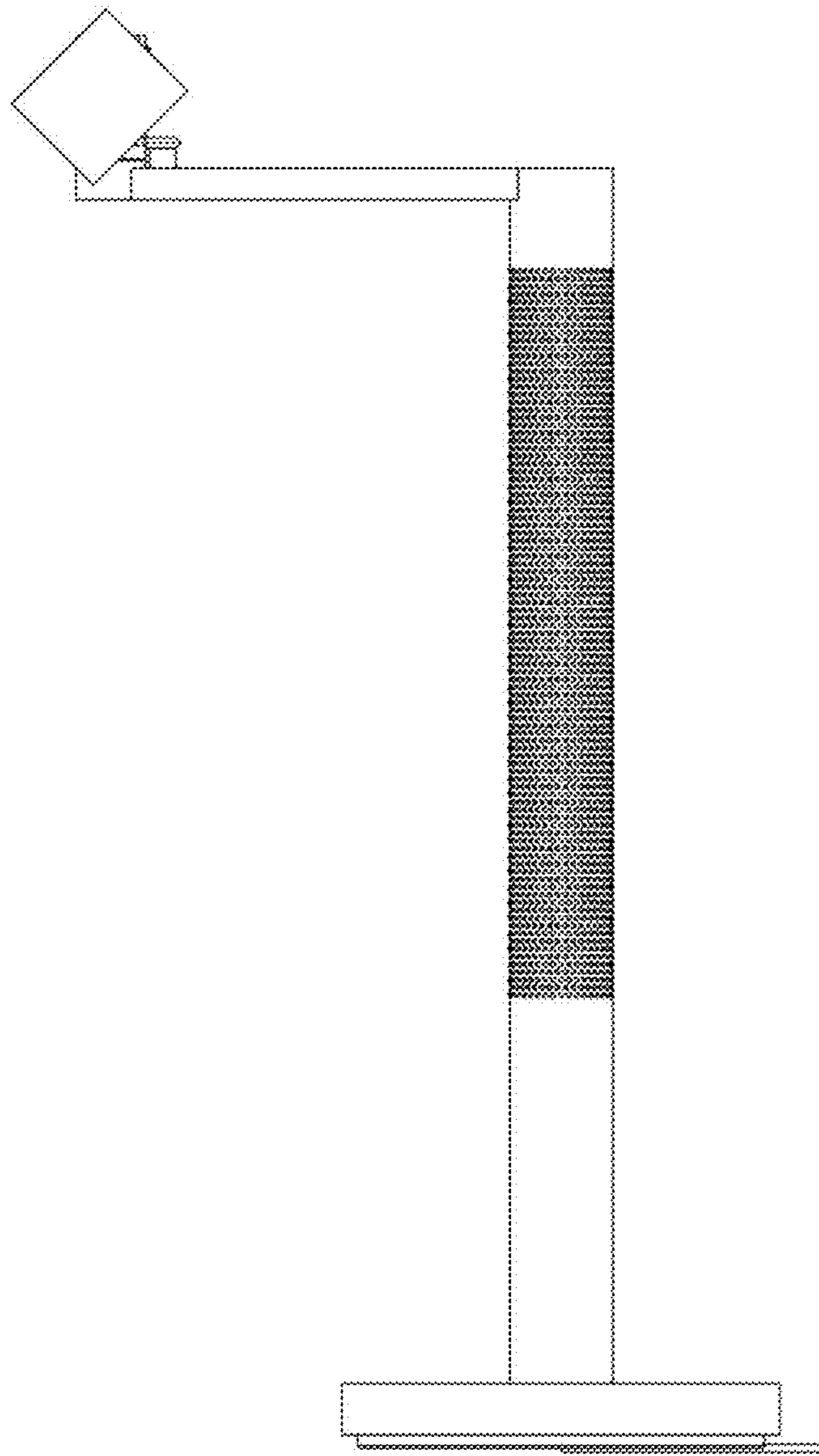


FIG. 5

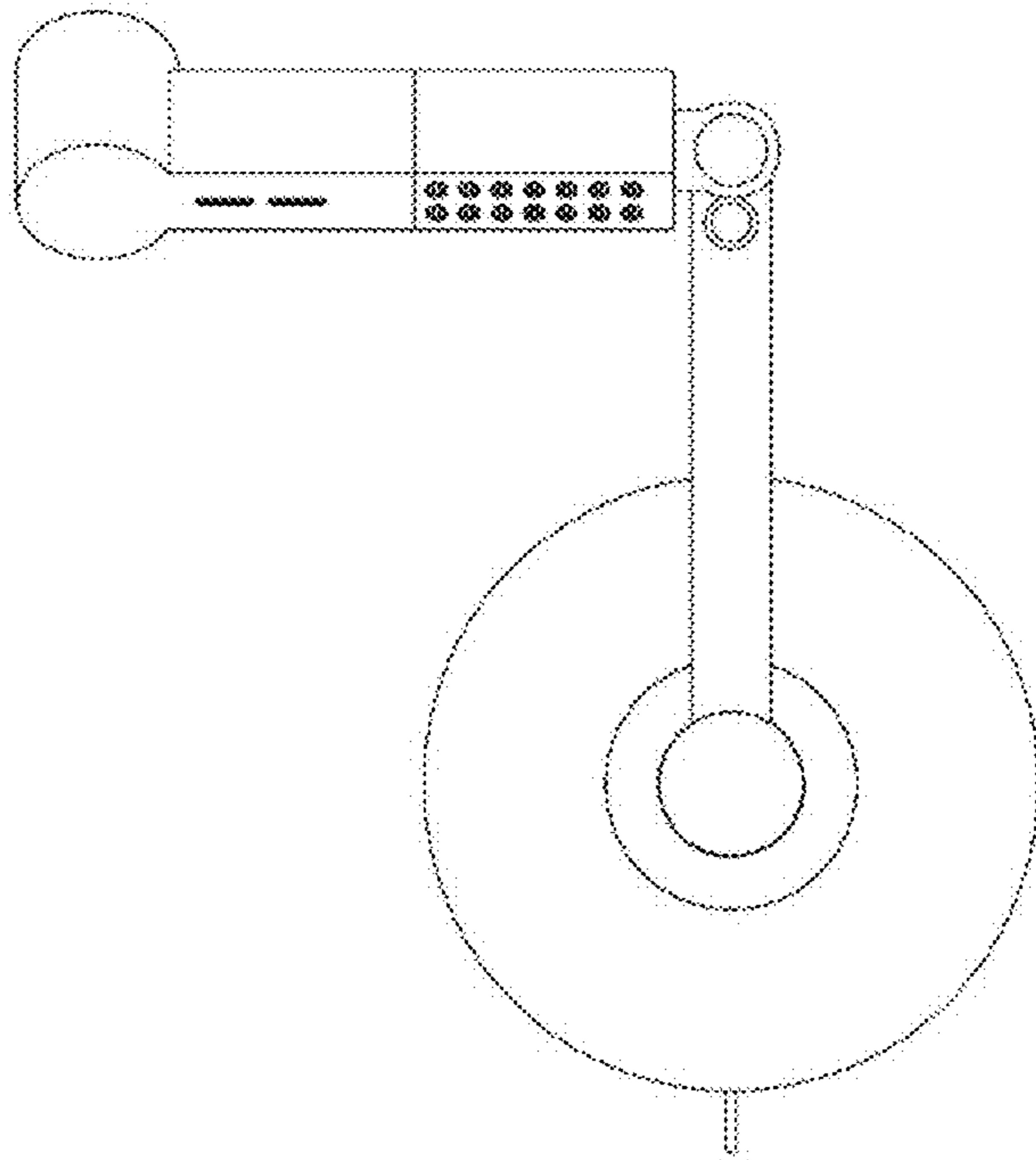


FIG. 6

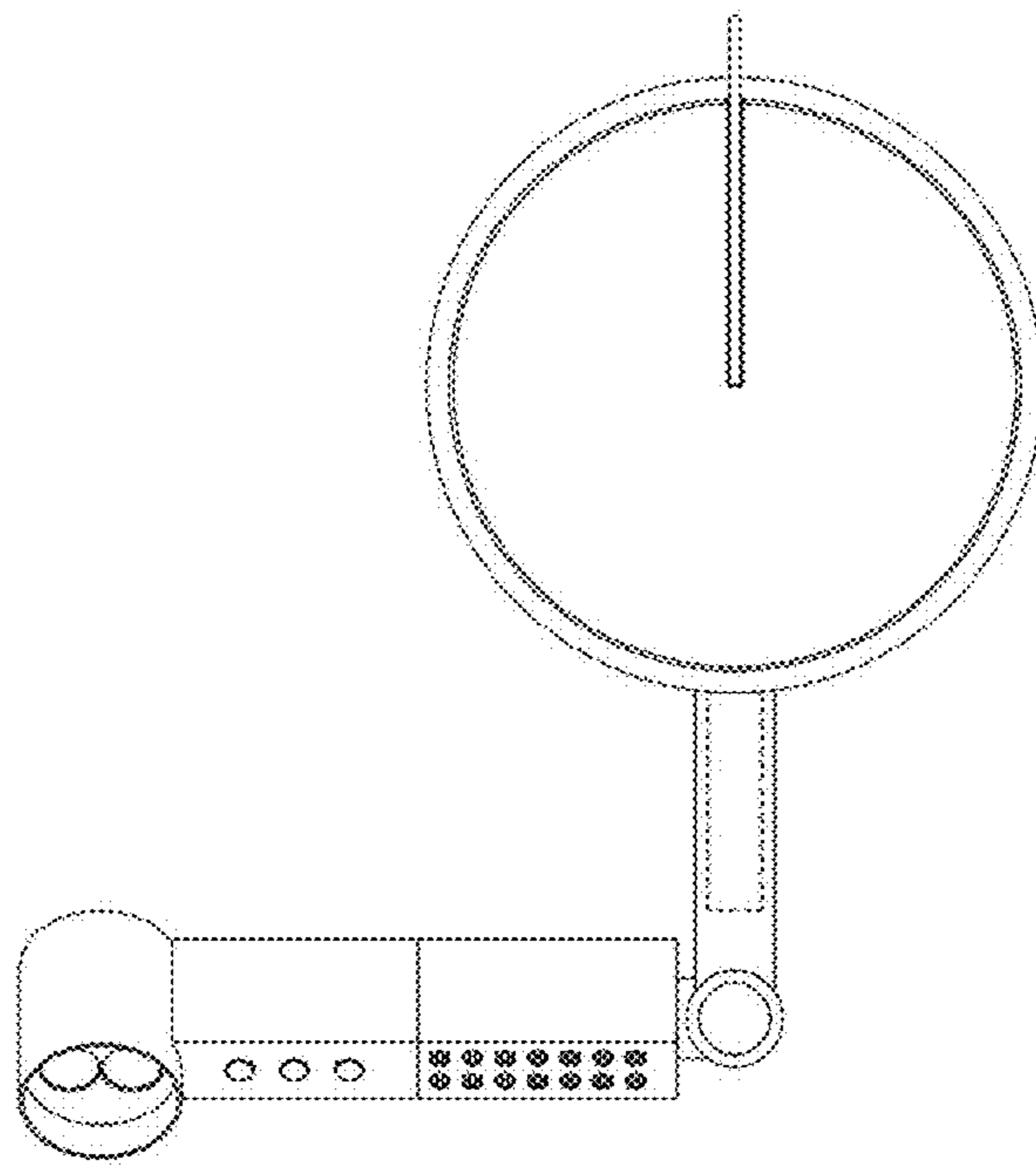


FIG. 7

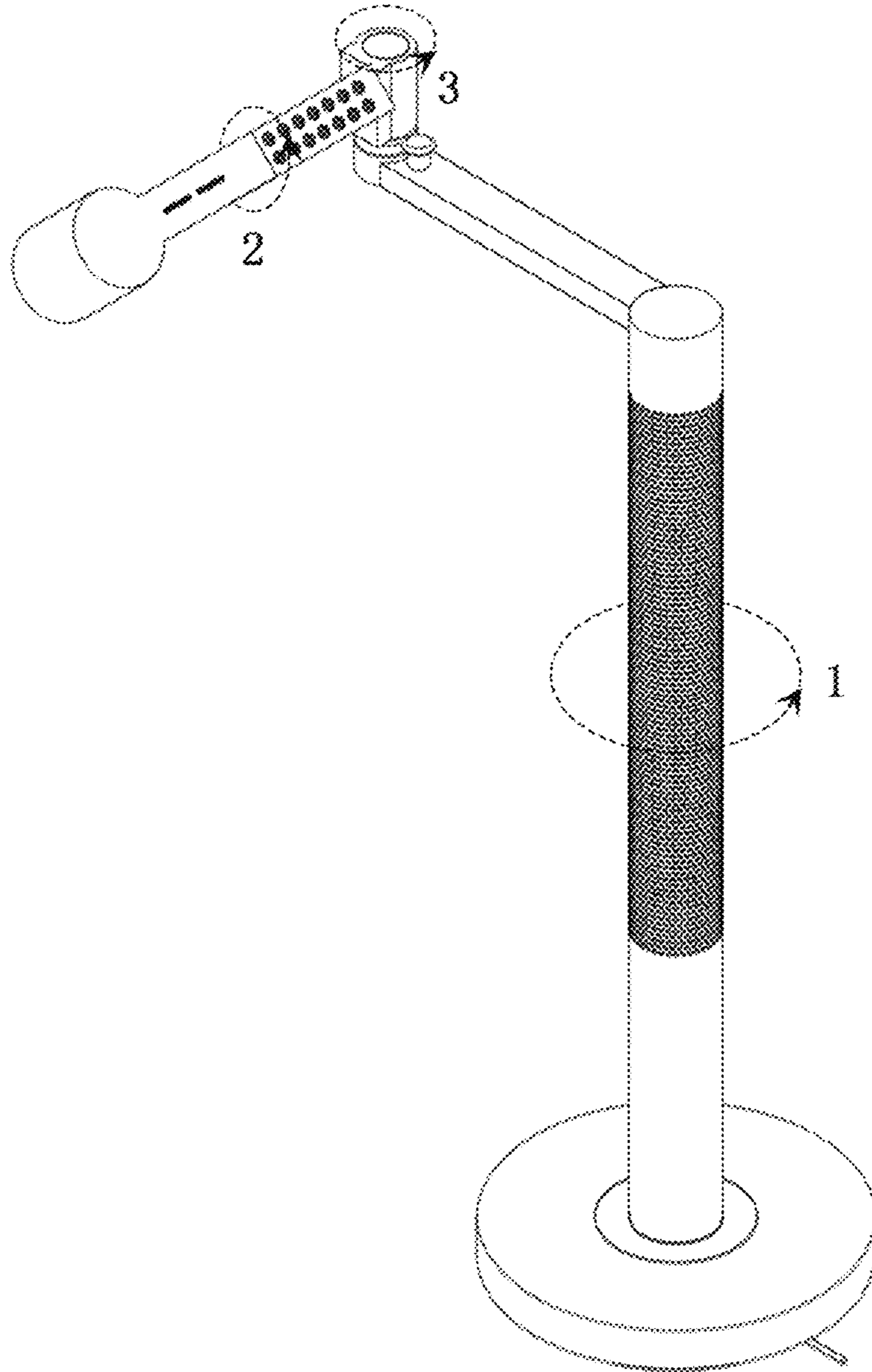


FIG. 8

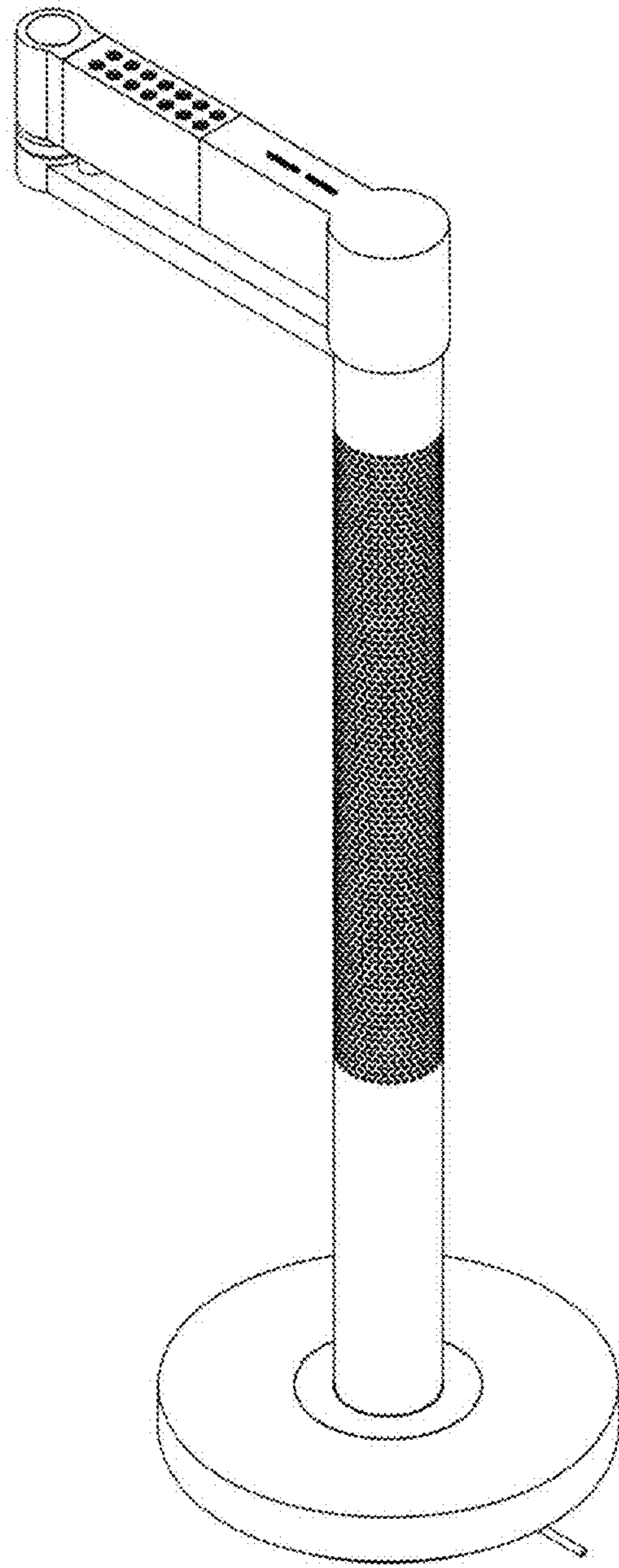


FIG. 9