



US00D965665S

(12) **United States Design Patent**
Zhang

(10) **Patent No.:** **US D965,665 S**
(45) **Date of Patent:** **** Oct. 4, 2022**

(54) **MONITORING CAMERA**

FOREIGN PATENT DOCUMENTS

(71) Applicant: **Shenzhen Junan Technology Co., Ltd.**, Shenzhen (CN)

CN 305611642 * 2/2020
CN 307003723 * 12/2021
GB 6132603 * 4/2021

(72) Inventor: **Zuwen Zhang**, Shenzhen (CN)

OTHER PUBLICATIONS

(73) Assignee: **SHENZHEN JUNAN TECHNOLOGY CO., LTD.**, Shenzhen (CN)

“Septekon Outdoor Security Camera, 1080P Cameras for Home Security, Dual Antenna 2.4G WiFi Camera with Night Vision, AI Motion Detection, 2-Way Audio, IP66 Waterproof, Black” from Septekon.com, first retrieved Jul. 12, 2022 from the internet <https://www.septekon.com/index.php?route=product/product&product_id=78> (Year: 2022).*

(**) Term: **15 Years**

“Solar Security Camera Wireless Outdoor, Solar-Powered Rechargeable Battery, 1080P Security WiFi Camera IP66, AI, PIR Motion Detection, 2-Way Audio, Color Night Vision, Remote Access by App Cloud/Micro SD” from Amazon.com, first available Jan. 19, 2022 from the internet <<https://www.amazon.com/dp/B09QPCZSMW/>> (Year: 2022).*

(21) Appl. No.: **29/780,154**

(22) Filed: **Apr. 22, 2021**

(30) **Foreign Application Priority Data**

(Continued)

Apr. 7, 2021 (CN) 202130192276.5

(51) **LOC (13) Cl.** **16-01**

(52) **U.S. Cl.**
USPC **D16/203**

(58) **Field of Classification Search**
USPC D16/200–203, 207–208, 213–214, D16/218–219; D10/46, 61, 104.1, 106.6, D10/106.7, 109.2; D14/203.1, 204, D14/209.1, 317, 474, 496
CPC G03B 17/00; G03B 17/02; G03B 2217/00; H04N 5/2251; H04N 5/2252
See application file for complete search history.

Primary Examiner — Elizabeth J Oswecki
Assistant Examiner — Lacey Chey Bowman
(74) *Attorney, Agent, or Firm* — Chun-Ming Shih;
Lanway IPR Services

(57) **CLAIM**

The ornamental design for a monitoring camera, as shown and described.

DESCRIPTION

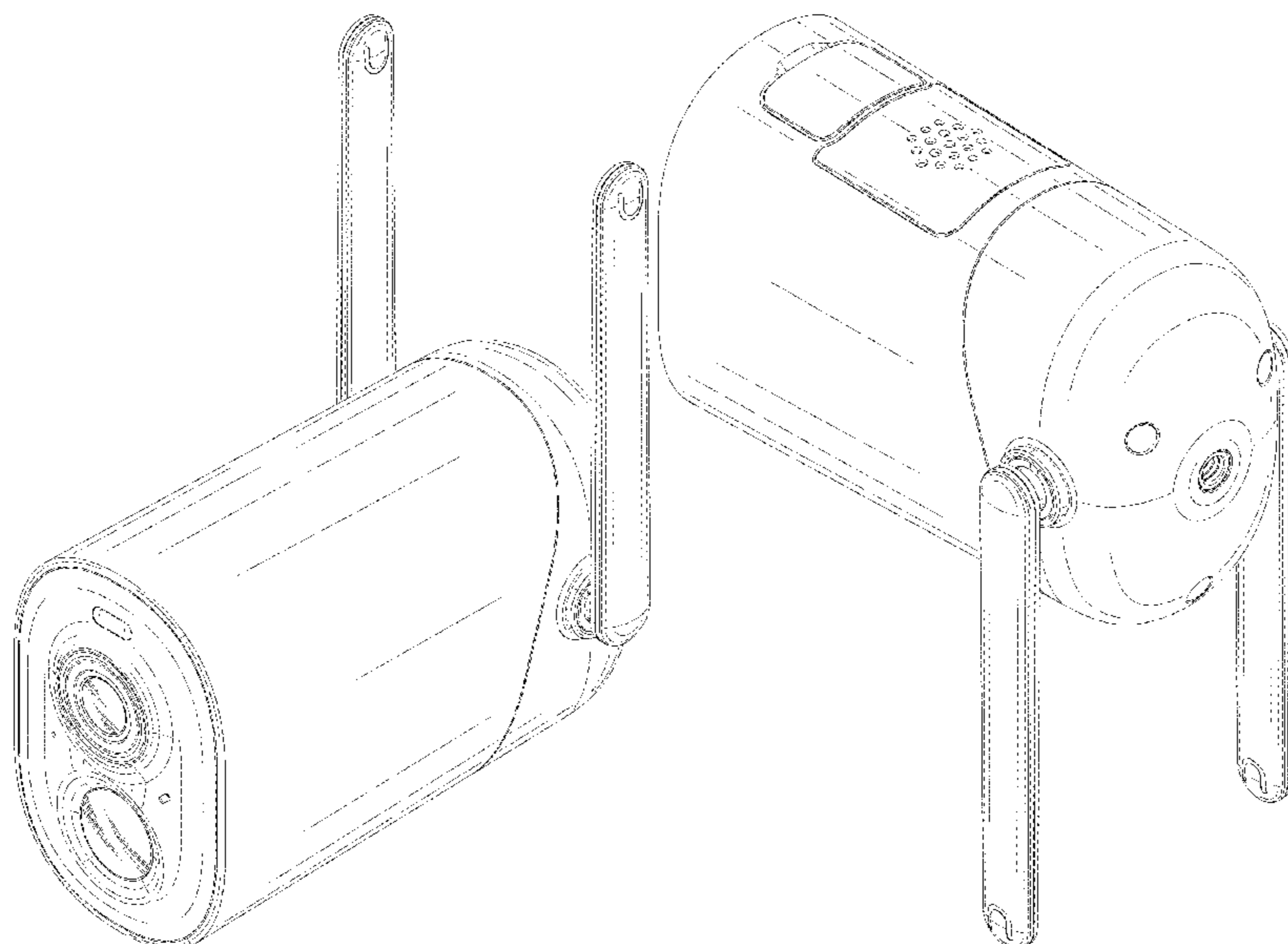
FIG. 1 is a front perspective view of a monitoring camera showing the new design;
FIG. 2 is another perspective view thereof;
FIG. 3 is a front view thereof;
FIG. 4 is a rear view thereof;
FIG. 5 is a left side elevational view thereof;
FIG. 6 is a right side elevational view thereof;
FIG. 7 is a top view thereof; and,
FIG. 8 is a bottom view thereof.

(56) **References Cited**

U.S. PATENT DOCUMENTS

D633,121 S * 2/2011 Renkis D16/203
D813,925 S * 3/2018 Park D16/203
D908,116 S * 1/2021 Ye D14/125
D940,226 S * 1/2022 Wang D16/203

1 Claim, 8 Drawing Sheets



(56)

References Cited

OTHER PUBLICATIONS

“2K Security Camera Outdoor—Zumimall Home Security Camera Battery Powered, Outdoor Security Cameras with 3MP Color Night Vision/Spotlight/IP66 Waterproof/PIR Detection/2-Way Talk/Cloud/SD” from Amazon.com, first available Nov. 8, 2019 from the internet <<https://www.amazon.com/%E3%80%90New%E3%80%91Security-Camera-Outdoor-Waterproof/dp/B0816RV4BF?th=1>> (Year: 2019).*

* cited by examiner

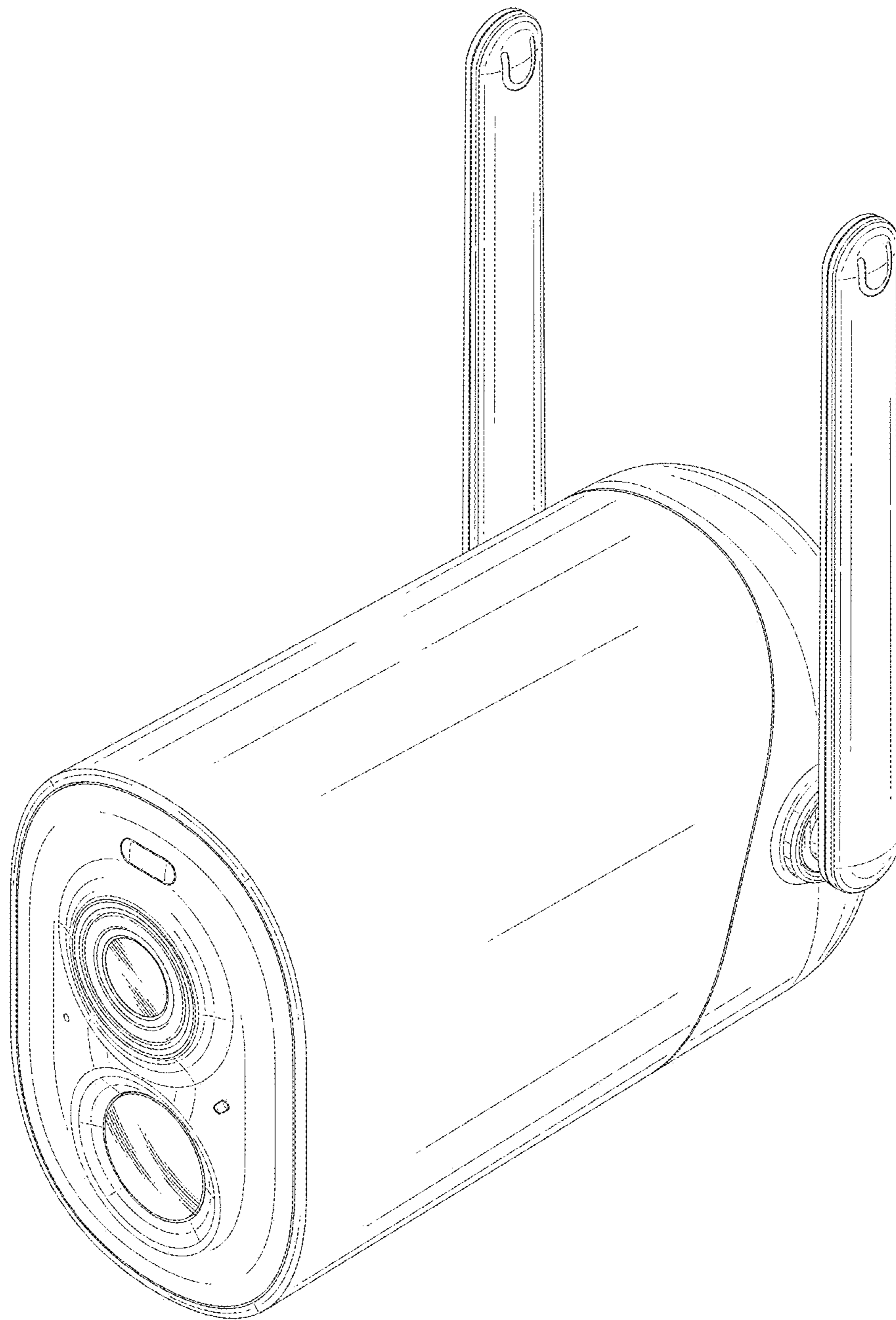


FIG.1

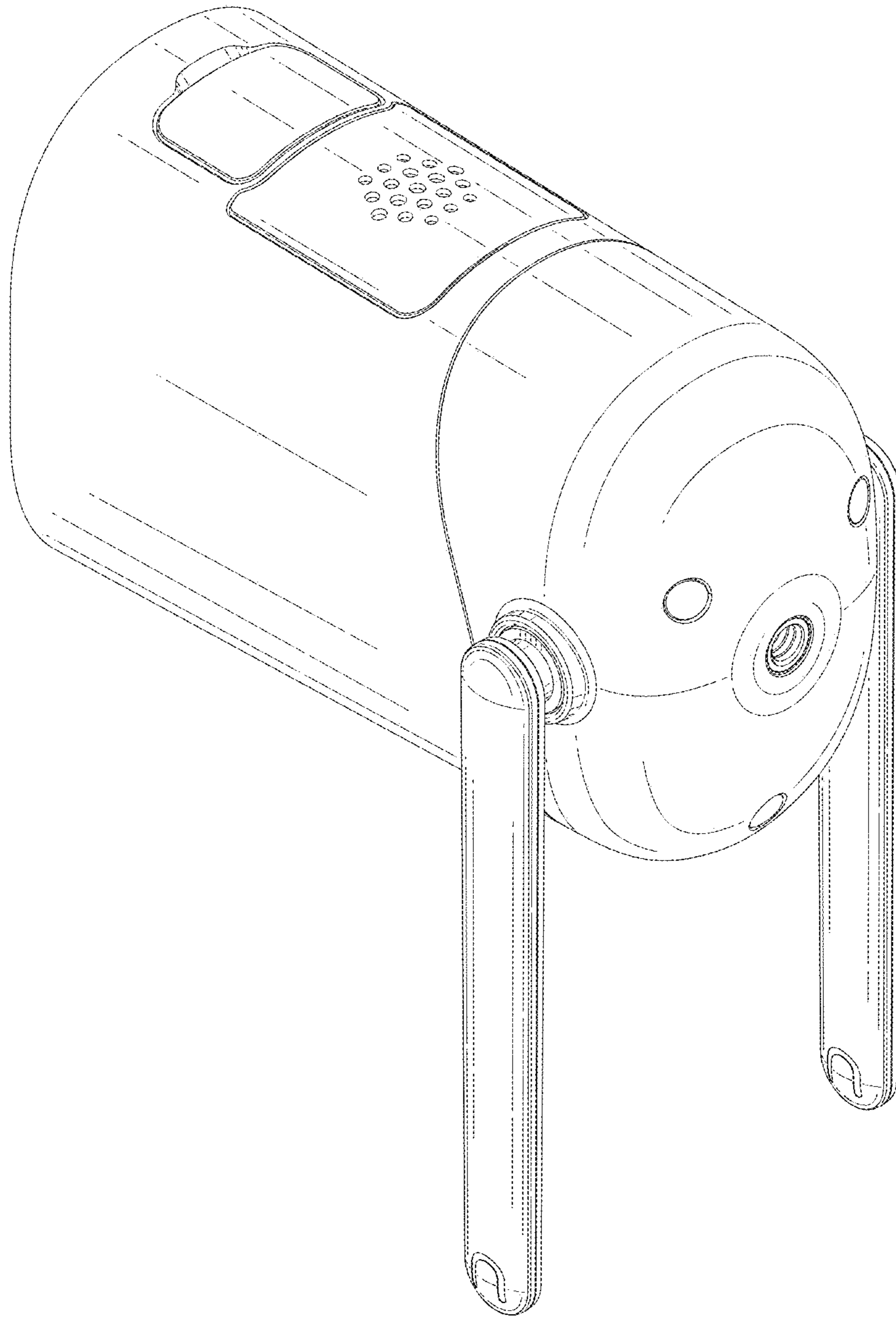


FIG.2

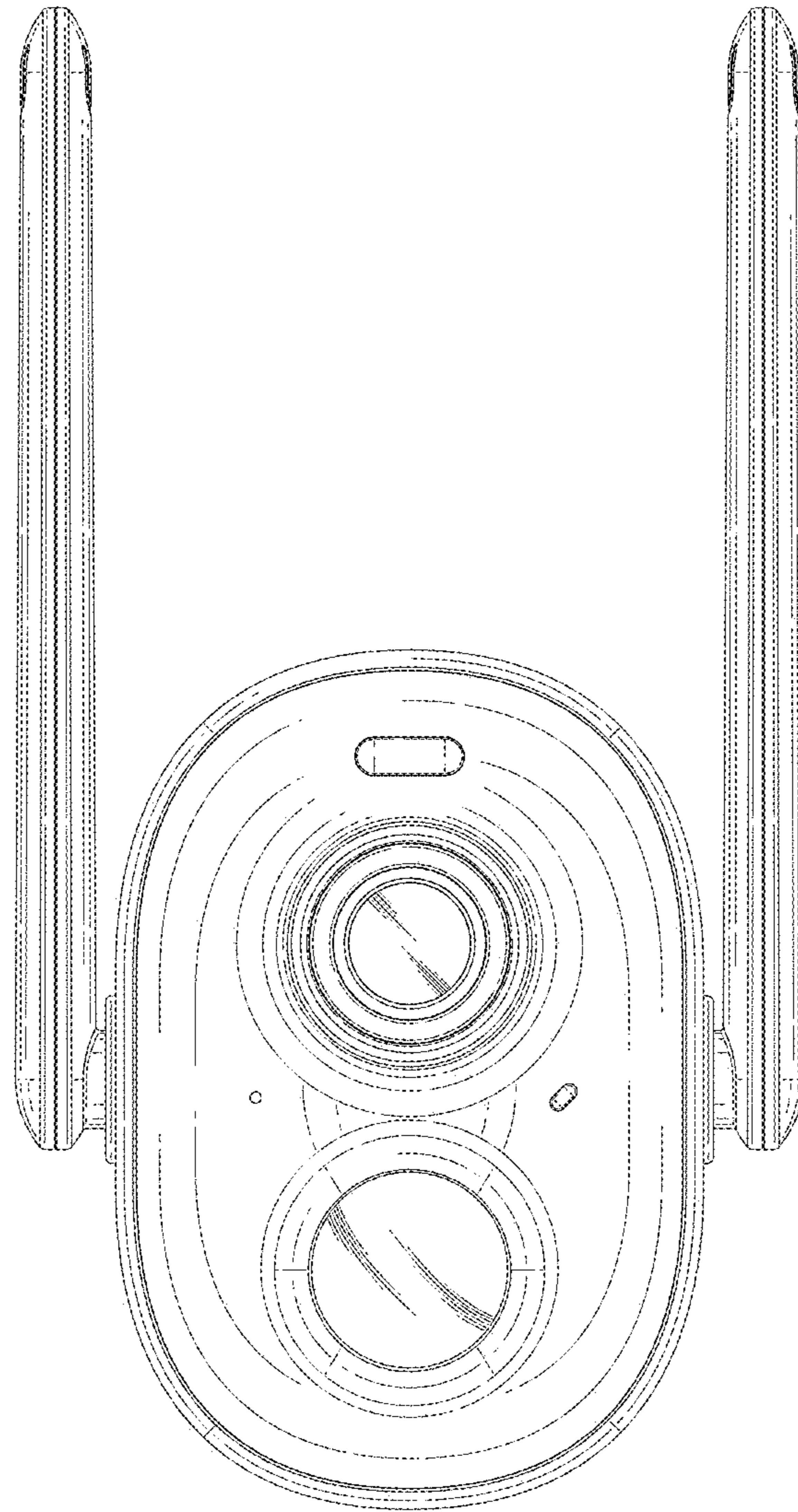


FIG.3

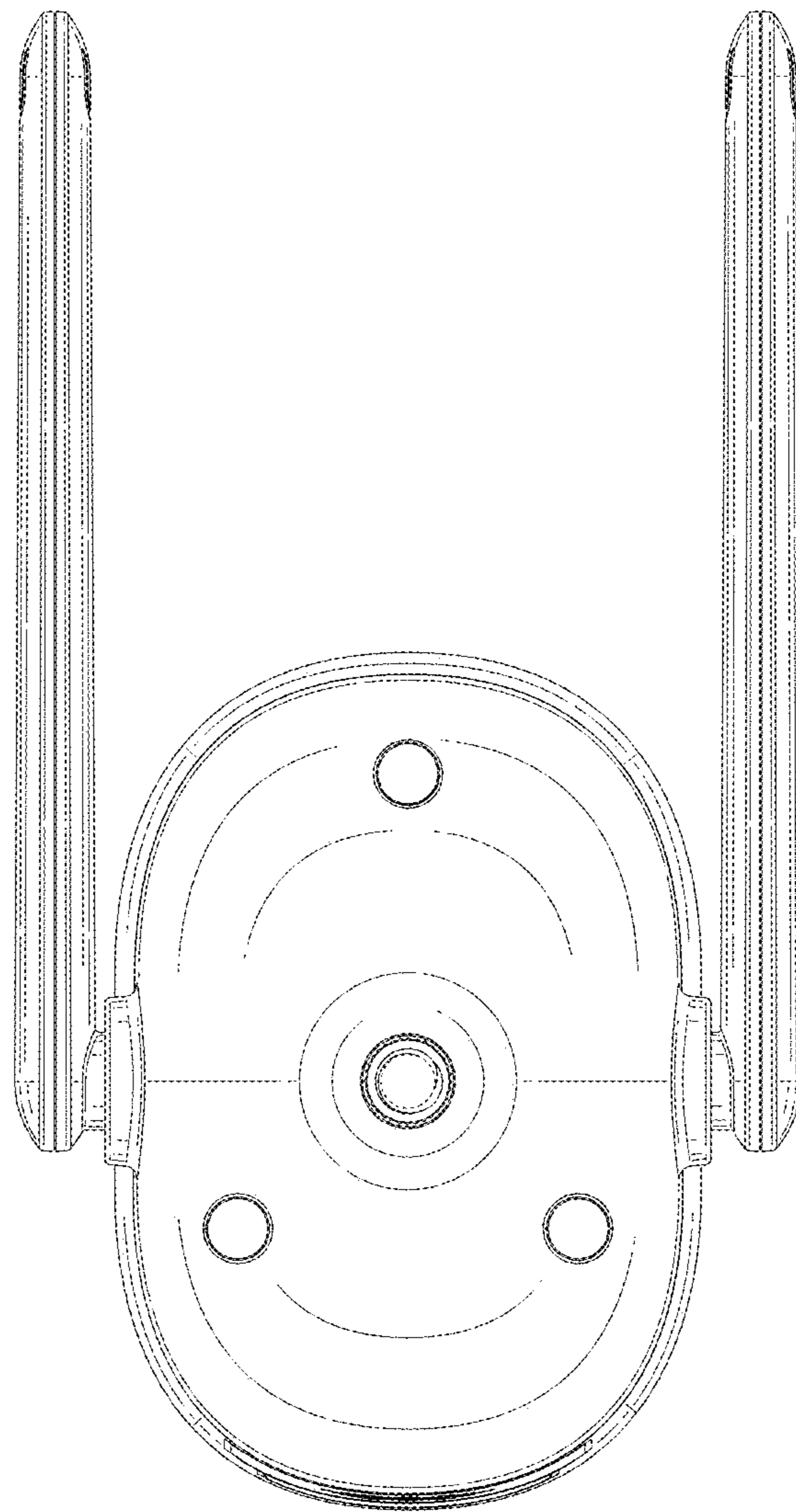


FIG.4

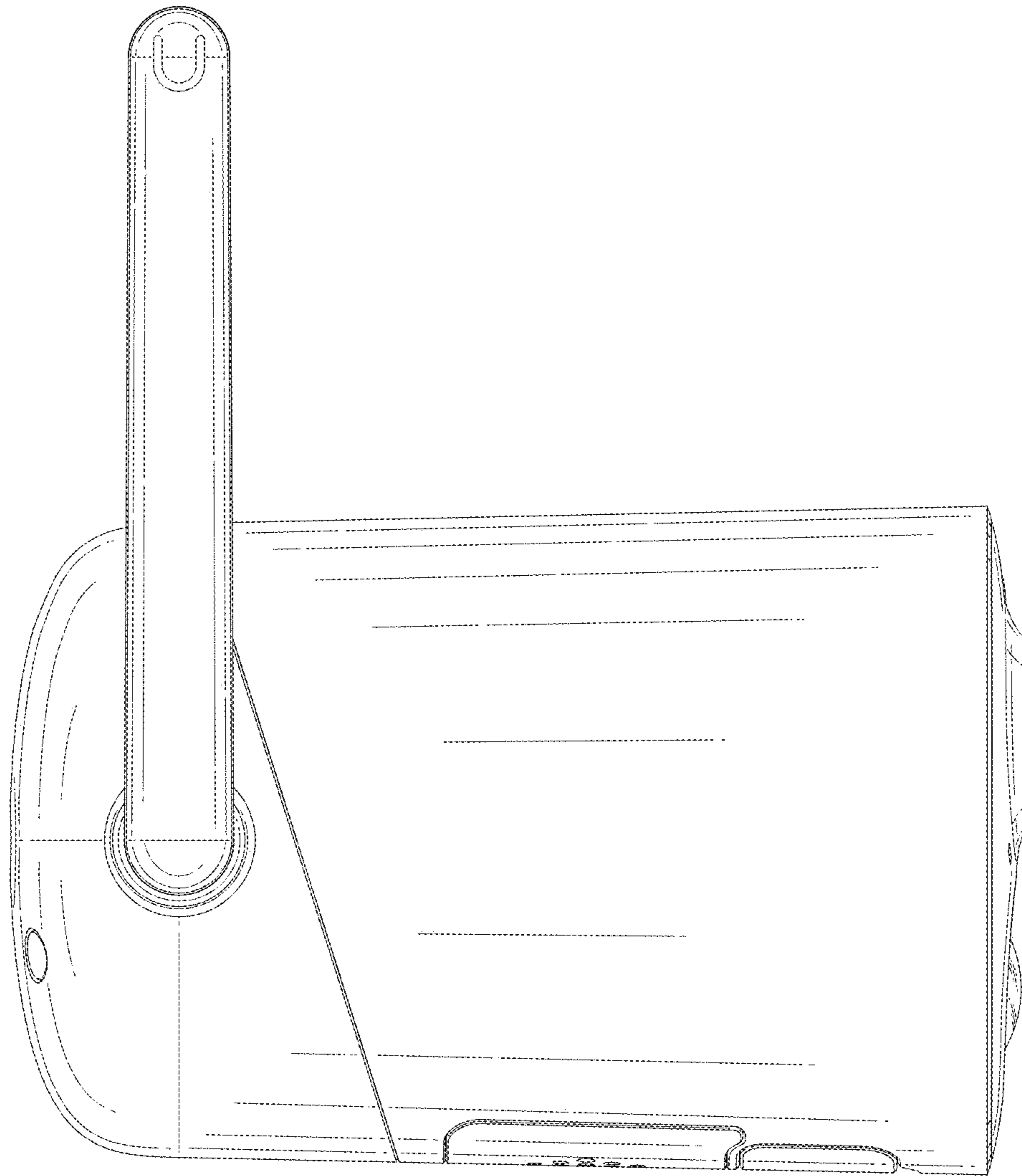


FIG.5

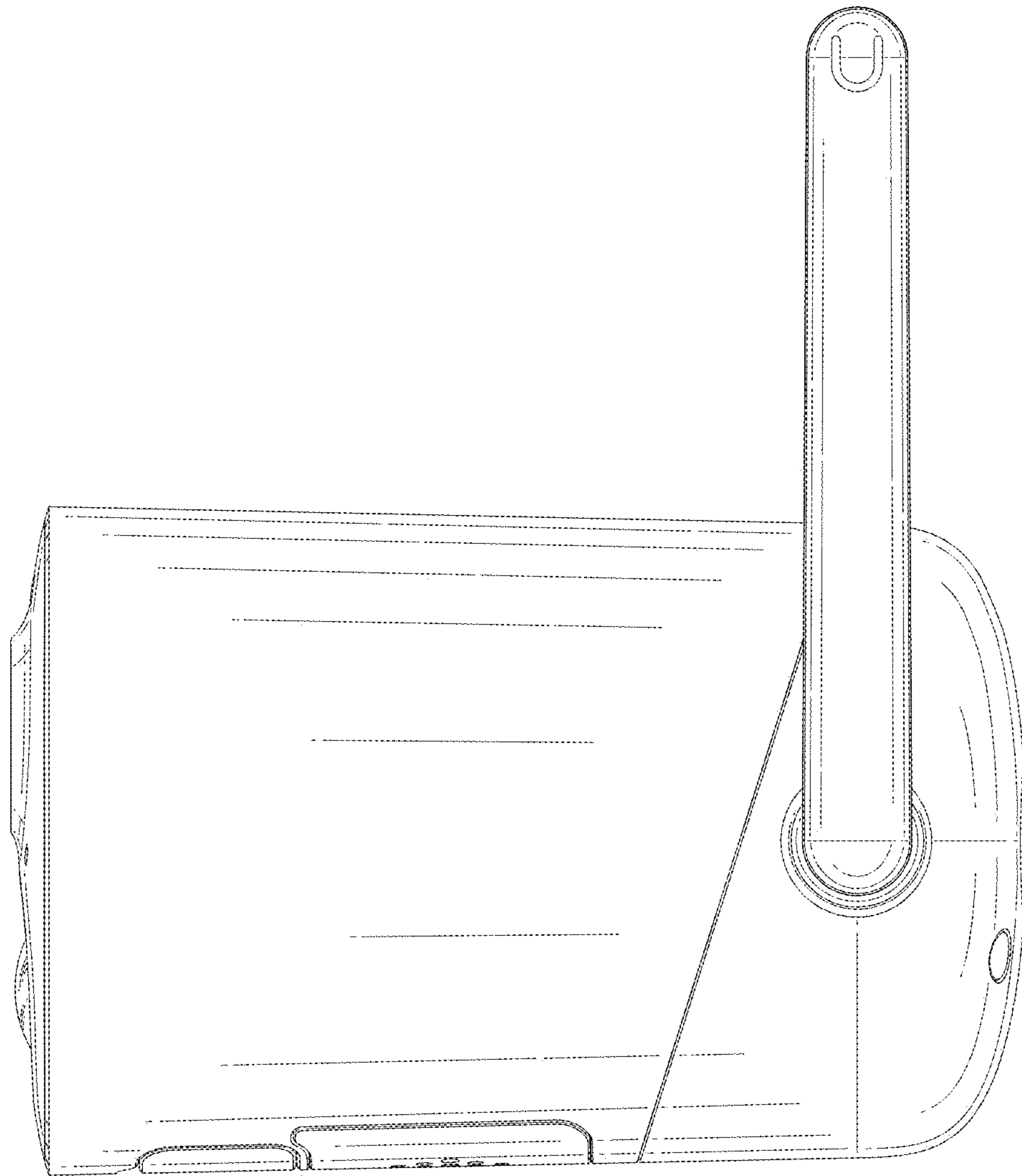


FIG.6

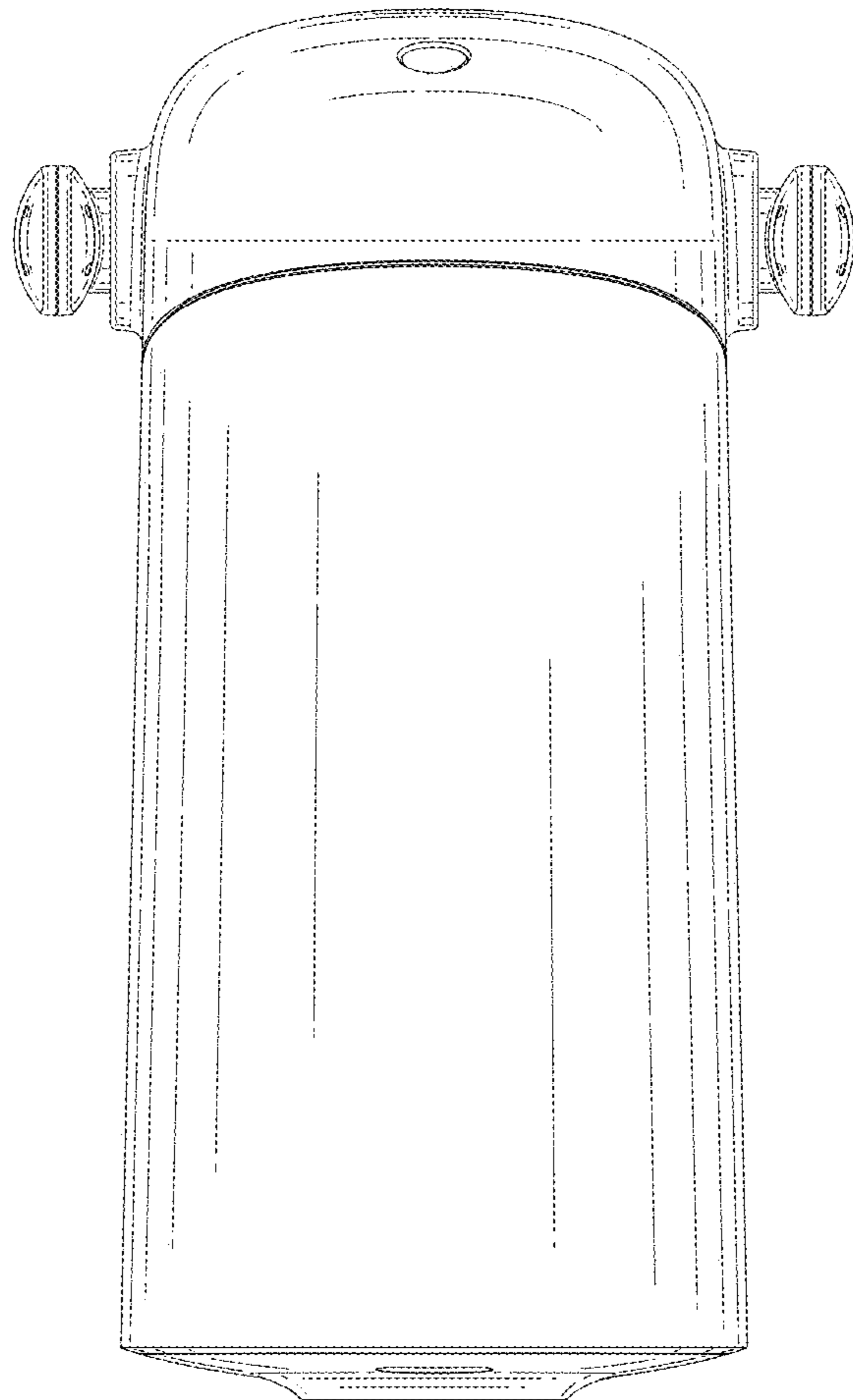


FIG.7

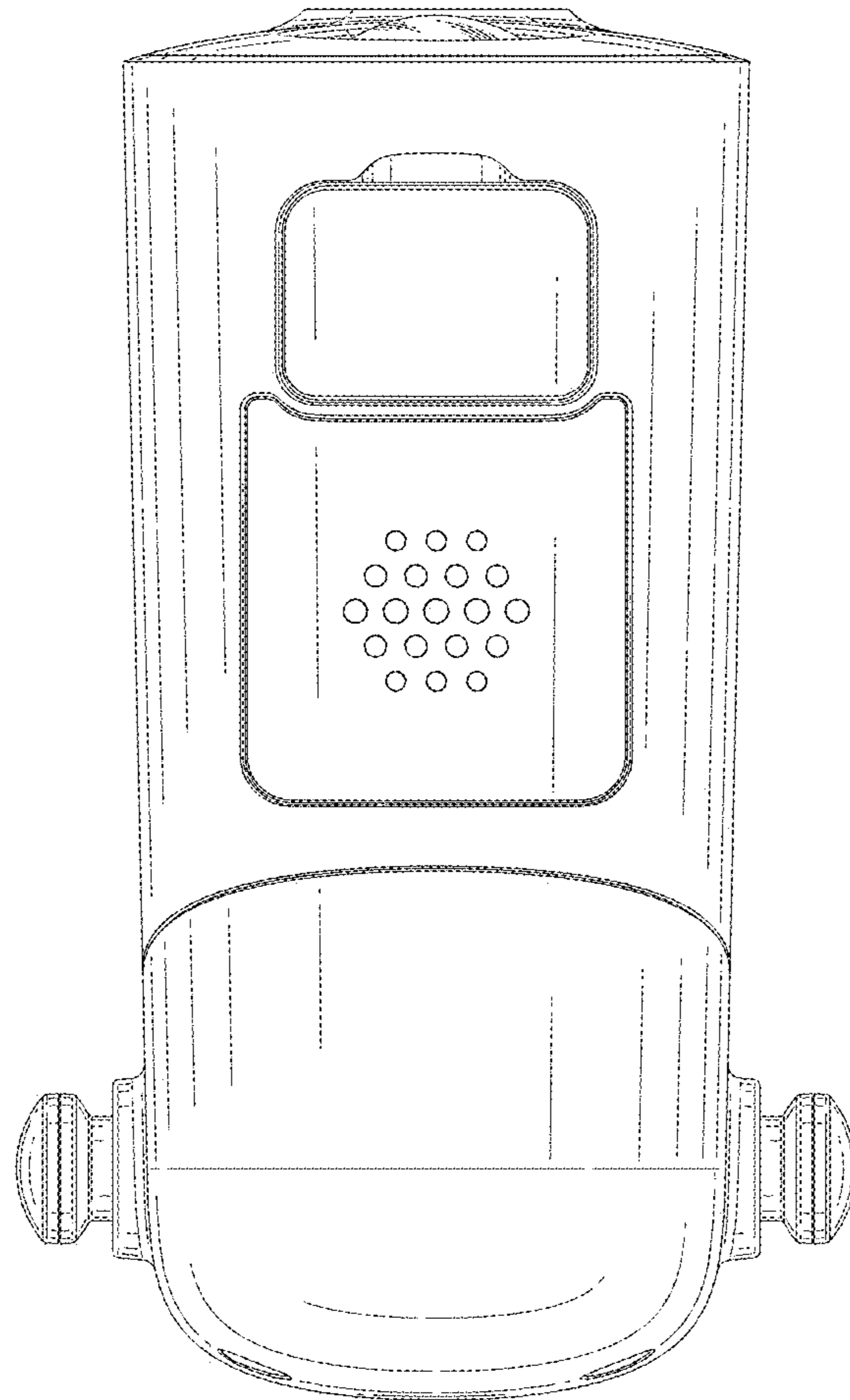


FIG.8