



US00D965663S

(12) **United States Design Patent**
Katori et al.

(10) **Patent No.:** **US D965,663 S**
(45) **Date of Patent:** **** Oct. 4, 2022**

(54) **SURVEILLANCE CAMERA**

(71) Applicant: **PANASONIC I-PRO SENSING SOLUTIONS CO., LTD.**, Fukuoka (JP)

(72) Inventors: **Takehito Katori**, Tokyo (JP); **Madoka Kawano**, Tokyo (JP); **Toshihiro Takahashi**, Fukuoka (JP)

(73) Assignee: **PANASONIC I-PRO SENSING SOLUTIONS CO., LTD.**, Fukuoka (JP)

(**) Term: **15 Years**

(21) Appl. No.: **29/768,484**

(22) Filed: **Jan. 29, 2021**

(51) **LOC (13) Cl.** **16-01**

(52) **U.S. Cl.**
USPC **D16/203**

(58) **Field of Classification Search**
USPC D16/200–203, 207–208, 213–214, D16/218–219; D10/46, 61, 104.1, 106.6, D10/106.7, 109.2; D14/203.1, 204, D14/209.1, 317, 474, 496
CPC G03B 17/00; G03B 17/02; G03B 2217/00; H04N 5/2251; H04N 5/2252
See application file for complete search history.

(56) **References Cited**

U.S. PATENT DOCUMENTS

D334,541 S	*	4/1993	Schwartz	D10/104.1
D691,187 S	*	10/2013	Seo	D16/203
D721,115 S	*	1/2015	Park	D16/203
D731,574 S	*	6/2015	Hallstrom	D16/203
D787,581 S	*	5/2017	Moller-Lewin	D16/203
D810,170 S	*	2/2018	Geng	D16/203
D814,547 S	*	4/2018	Kondou	D16/219
D816,143 S	*	4/2018	Ahman	D16/203
D823,369 S	*	7/2018	Wang	D16/203
D827,691 S	*	9/2018	Zhong	D16/203

(Continued)

FOREIGN PATENT DOCUMENTS

JP D1584227 * 8/2017
JP D1667021 * 8/2020

(Continued)

OTHER PUBLICATIONS

“XNO-C6083R” from Product.hanwha-security.com, first retrieved on Jul. 12, 2022 from the internet <<https://product.hanwha-security.com/en/products/camera/network/bullet/XNO-C6083R/overview/>> (Year: 2022).*

(Continued)

Primary Examiner — Elizabeth J Oswecki
Assistant Examiner — Lacey Chey Bowman
(74) *Attorney, Agent, or Firm* — Greenblum & Bernstein, P.L.C.

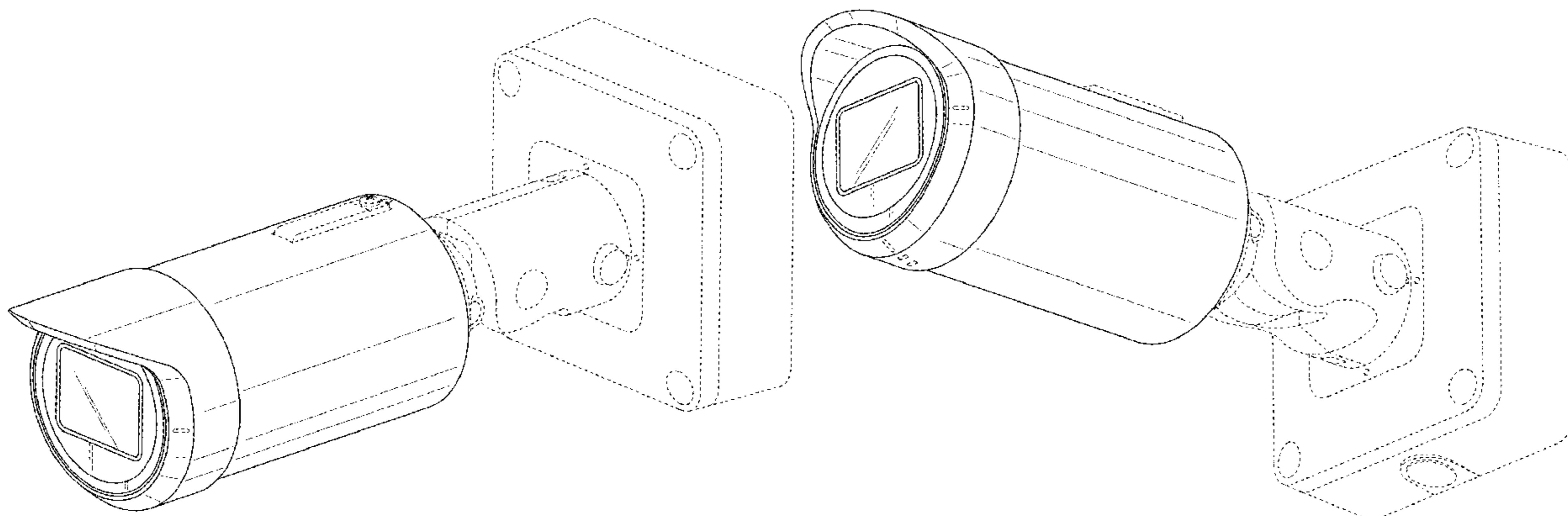
(57) **CLAIM**

The ornamental design for a surveillance camera, as shown and described.

DESCRIPTION

FIG. 1 is a top, front, and right side perspective view of a surveillance camera showing our new design; FIG. 2 is a bottom, front, and right side perspective view thereof; FIG. 3 is a front view thereof; FIG. 4 is a rear view thereof; FIG. 5 is a left side view thereof; FIG. 6 is a right side view thereof; FIG. 7 is a top plan view thereof; and, FIG. 8 is a bottom plan view thereof. The broken lines shown in the drawings illustrate portions of the surveillance camera and form no part of the claimed design.

1 Claim, 7 Drawing Sheets



(56)

References Cited

U.S. PATENT DOCUMENTS

D829,802 S * 10/2018 Park D16/203
 D832,329 S * 10/2018 Li D16/203
 D848,503 S * 5/2019 Ahman D16/203
 D871,484 S * 12/2019 Wang D16/203
 D873,887 S * 1/2020 Ruzs D16/203
 D881,968 S * 4/2020 Persson D16/203
 D902,285 S * 11/2020 Persson D16/203
 D929,483 S * 8/2021 Pinna D16/203
 D929,484 S * 8/2021 Pinna D16/203
 D936,129 S * 11/2021 Pinna D16/203
 D940,224 S * 1/2022 Kishimoto D16/203
 2015/0070494 A1 * 3/2015 Hess, Jr. H04N 17/002
 348/143
 2015/0358511 A1 * 12/2015 Jung H04N 5/2252
 348/143
 2017/0357146 A1 * 12/2017 Parisi F16M 13/02
 2019/0313001 A1 * 10/2019 Kawashima H04N 5/22521

FOREIGN PATENT DOCUMENTS

JP D1691396 * 8/2021
 KR 301153696.0000 * 3/2022

OTHER PUBLICATIONS

“AI 12X Pro Bullet Plus 5MP Network Camera (MS-C5366-X12PC)—Milesight” from Digitalworld.nz, first retrieved Jul. 12, 2022 from the internet <<https://digitalworld.nz/products-page/cctv-cameras-ip-cameras-milesight-digital-world-nz/cctv-ip-camera-ip-cameras-milesight-digitalworld-nz/ai-12x-pro-bullet-plus-5mp-network-camera-ms-c5366-x12pc-milesight-copy/>>. (Year: 2022).*
 “Hanwha LNO-6072R WiseNet L-Series 2MP Outdoor IR Bullet Camera, 3.2-10mm Varifocal Lens” from Adiglobaldistribution.us, first retrieved Jul. 12, 2022 from the internet < <https://www.adiglobaldistribution.us/Product/SQ-LNO6072R>> (Year: 2022).*

* cited by examiner

FIG. 1

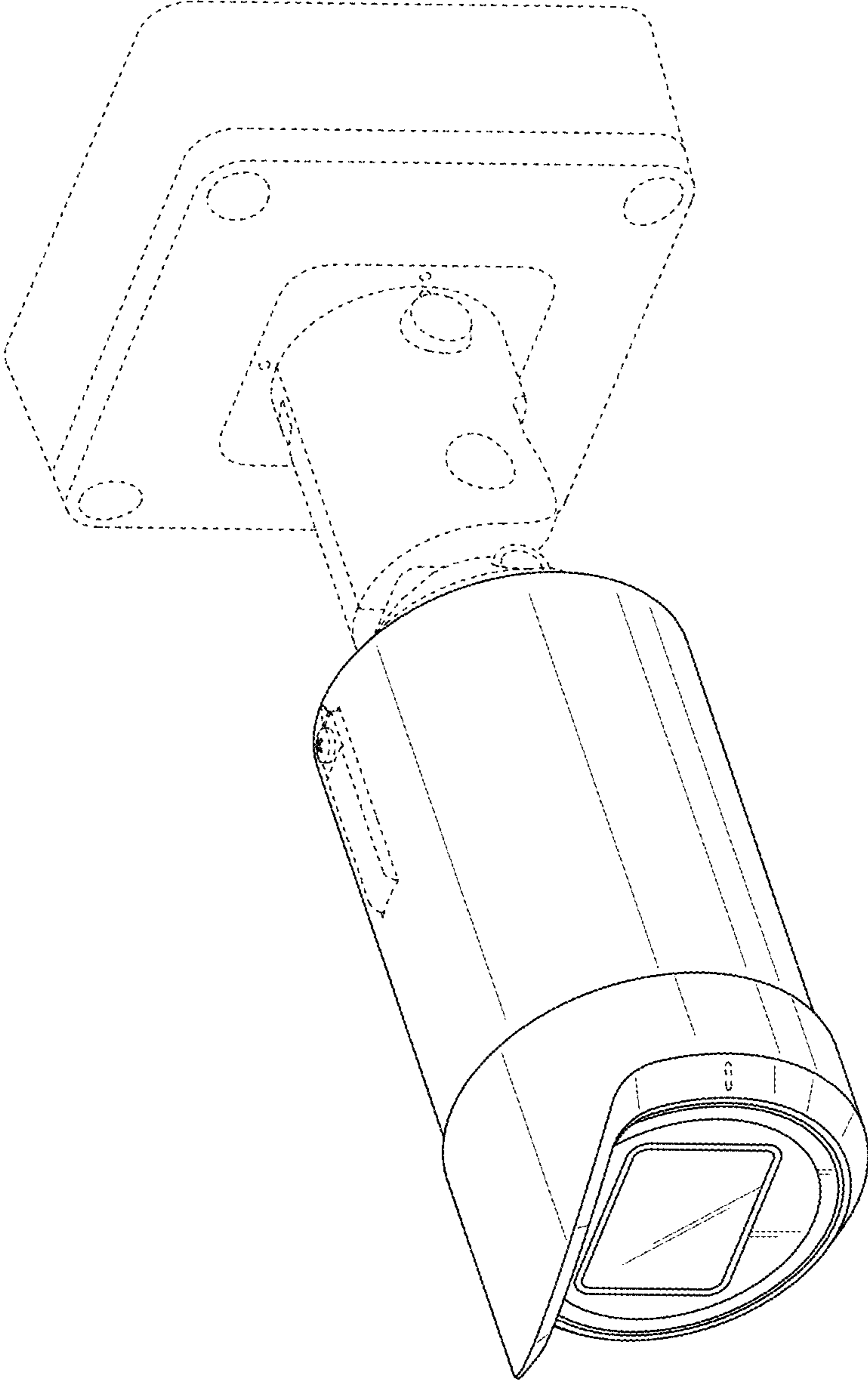


FIG. 2

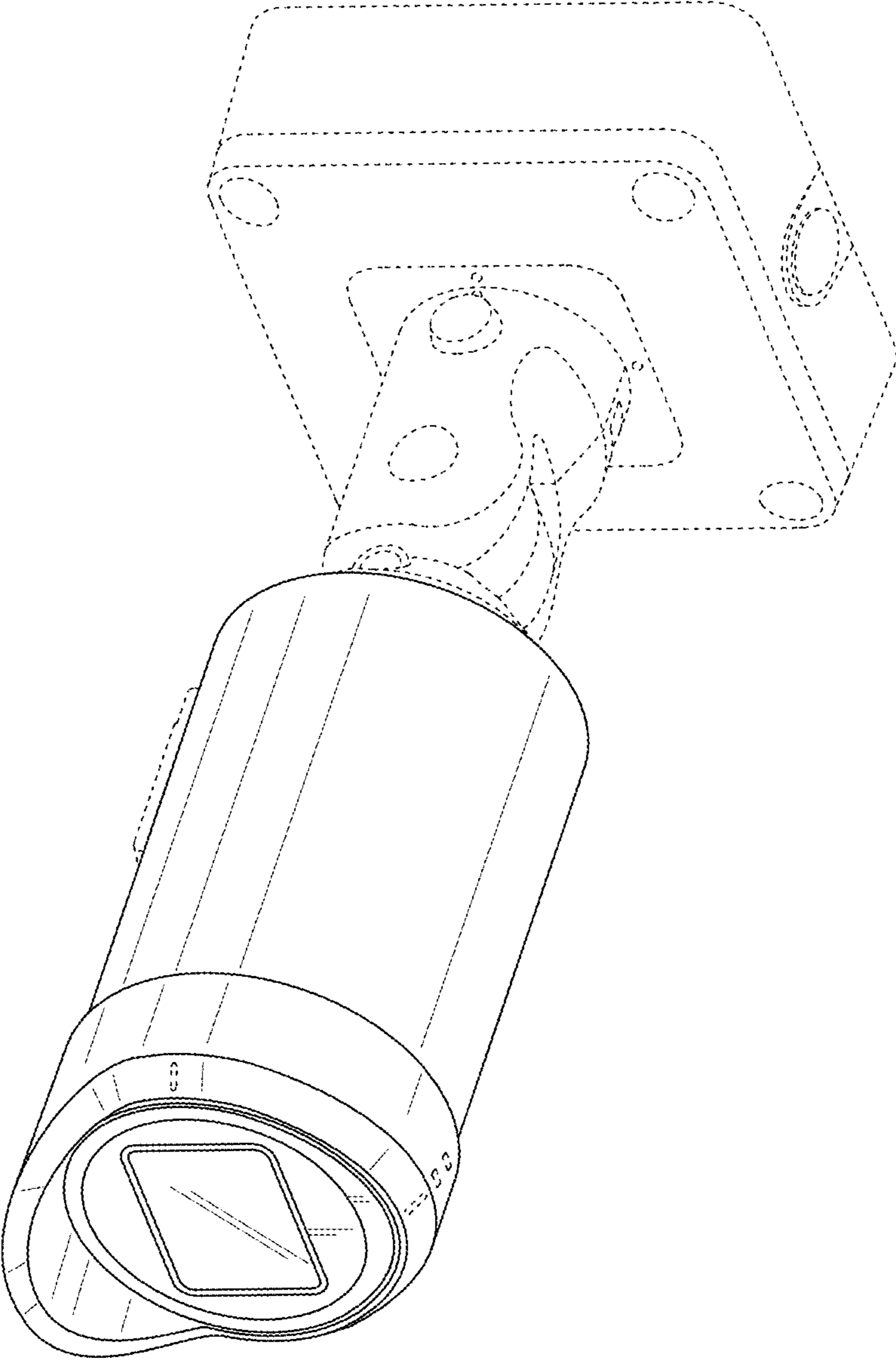


FIG. 3

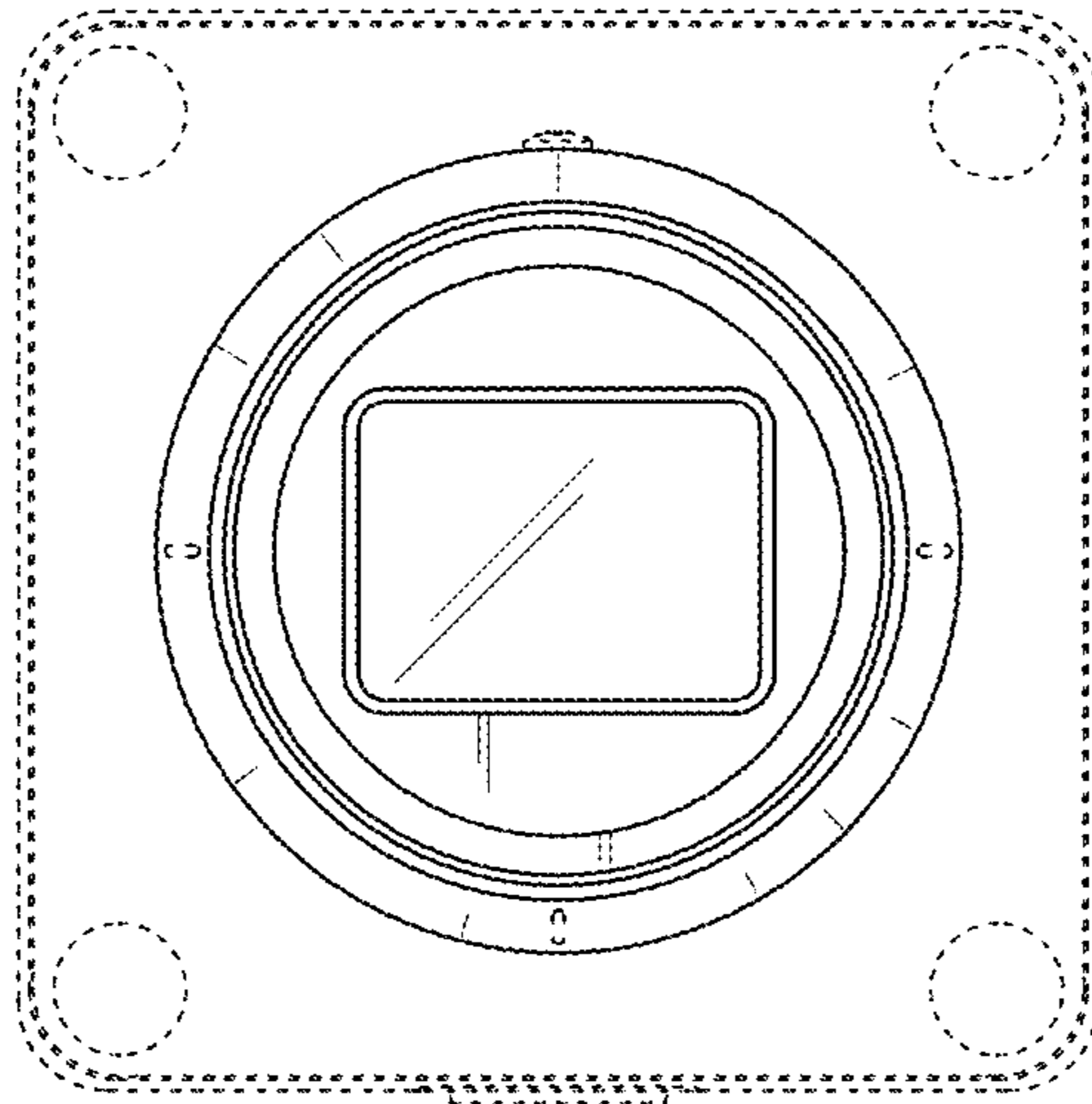


FIG. 4

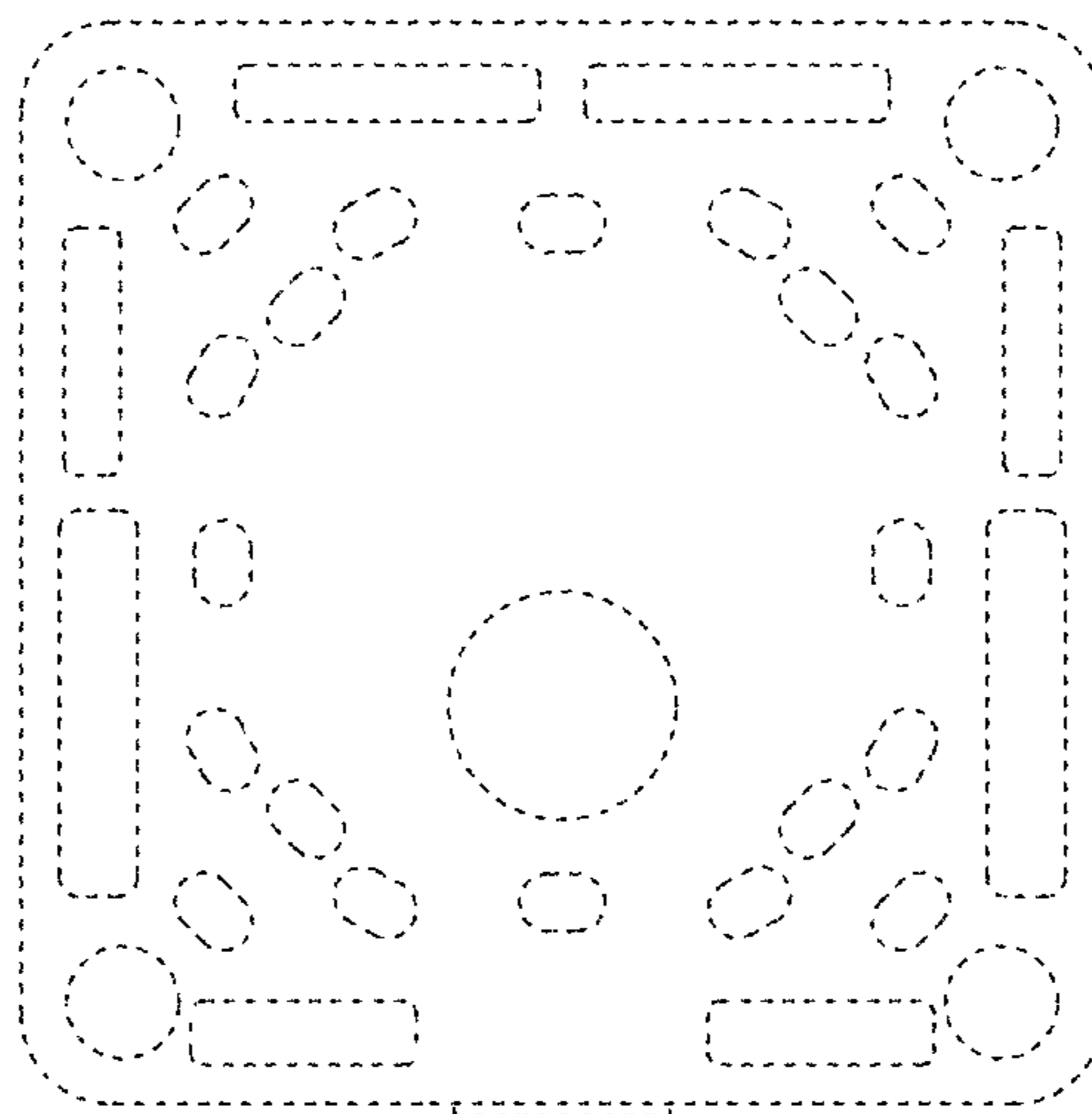


FIG. 5

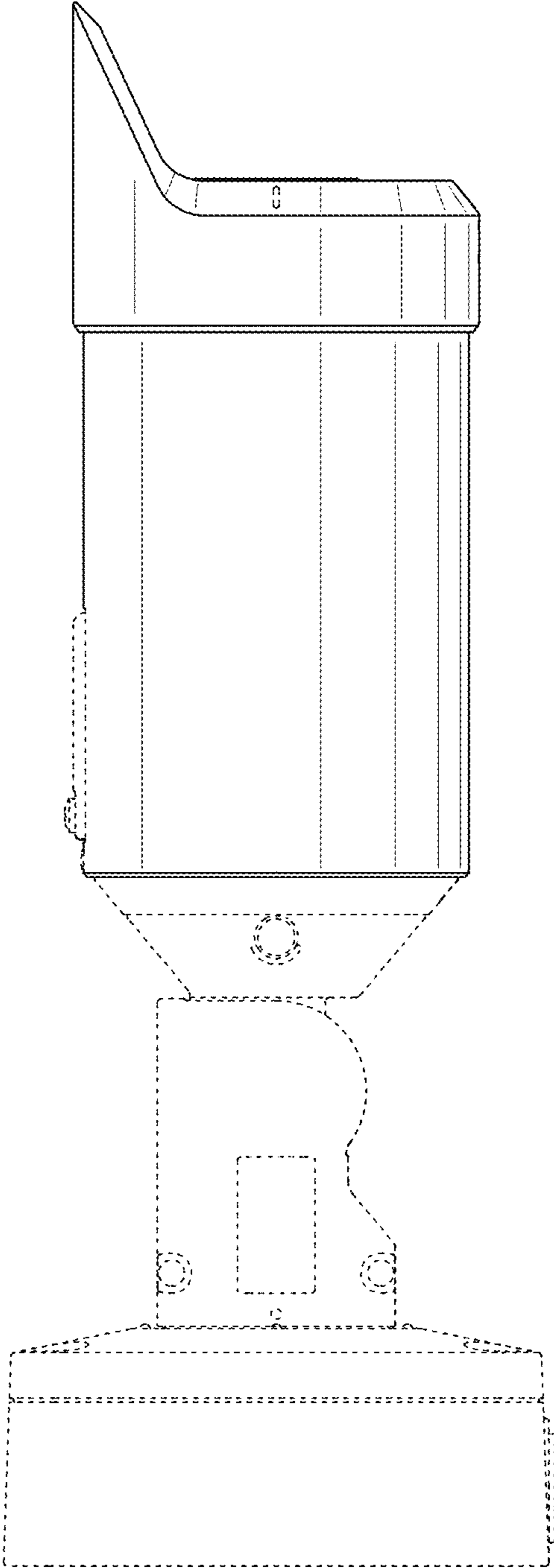


FIG. 6

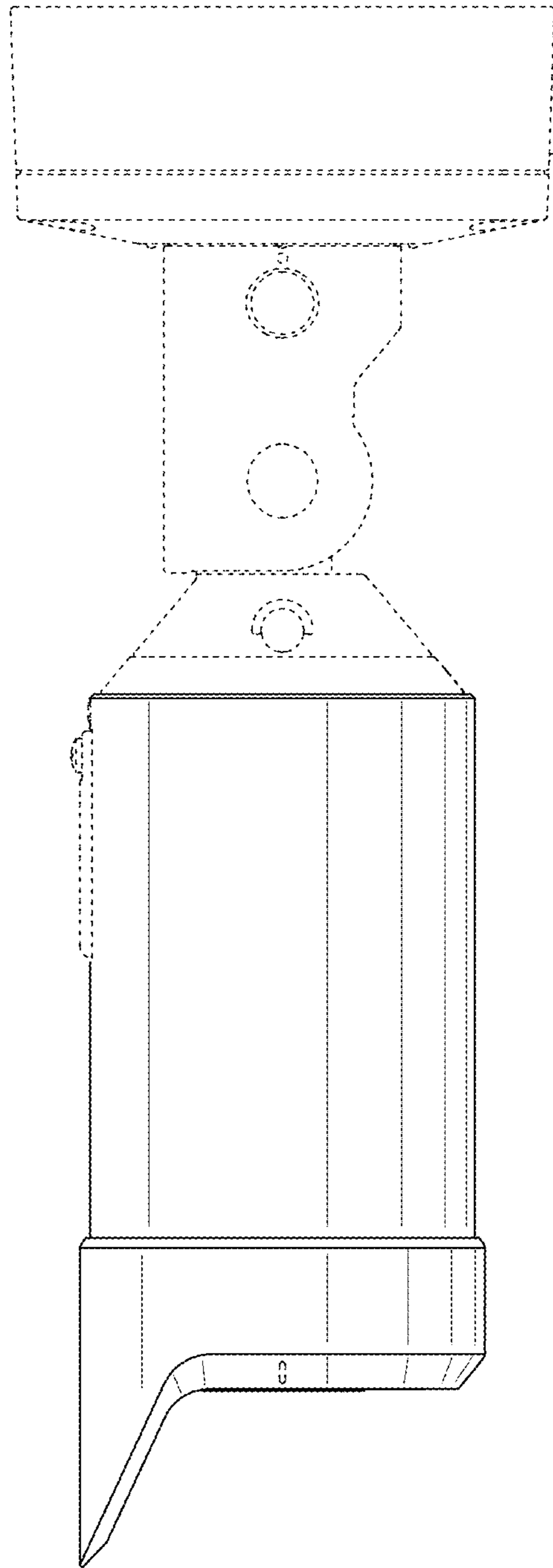


FIG. 7

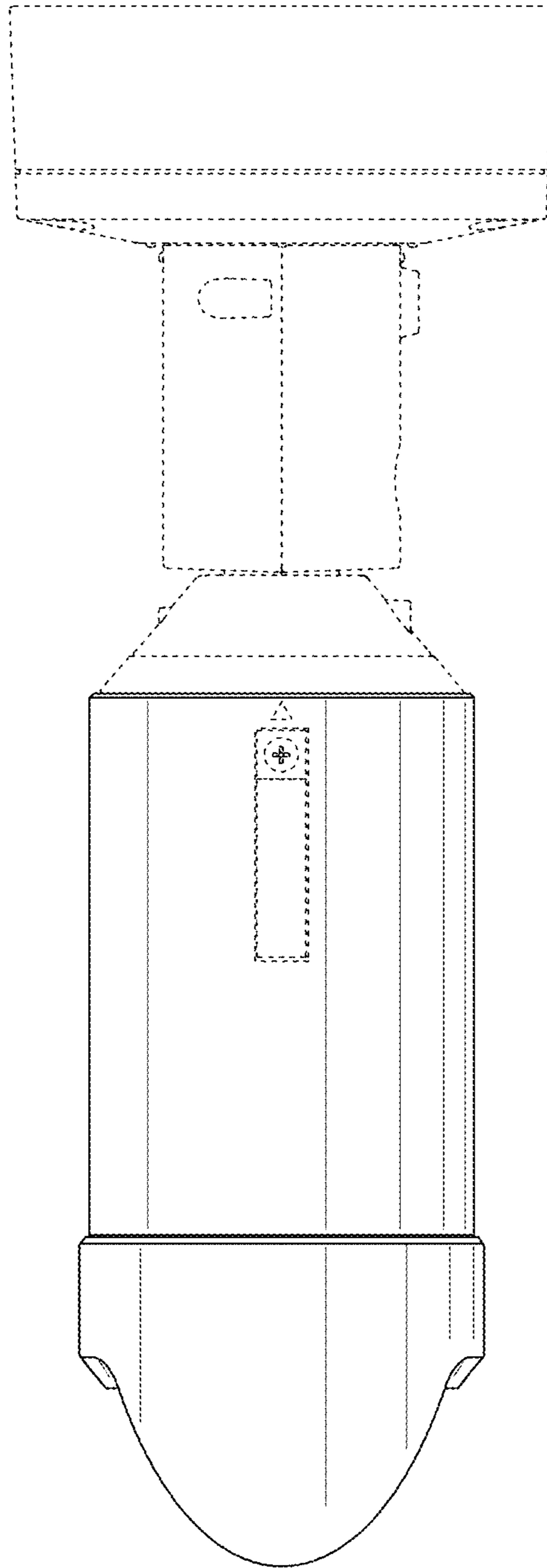


FIG. 8

