



US00D965659S

(12) **United States Design Patent**
Kil et al.

(10) **Patent No.:** **US D965,659 S**

(45) **Date of Patent:** **** Oct. 4, 2022**

(54) **MAGNIFIER FOR SEWING MACHINE**

E06B 9/24; G03B 17/02; C03B 2215/46;
D05C 3/00

(71) Applicant: **BROTHER INDUSTRIES, LTD.**,
Nagoya (JP)

See application file for complete search history.

(72) Inventors: **Jihoon Kil**, Nagoya (JP); **Hidenori Oka**, Tokai (JP); **Yoshifumi Nakamura**, Mie-ken (JP); **Masayoshi Mita**, Nagoya (JP)

(56) **References Cited**

U.S. PATENT DOCUMENTS

1,175,274	A *	3/1916	Klorer	B23Q 11/08
				82/152
2,554,544	A *	5/1951	Warner	D05B 87/04
				359/809
5,931,167	A *	8/1999	Coleman	A45D 26/0066
				132/73.5
D498,871	S *	11/2004	Benensohn	D26/89
D697,949	S *	1/2014	Moseley	D15/72
D736,986	S *	8/2015	Hadrath	D26/118
D797,980	S *	9/2017	Maxik	D26/89

(Continued)

Primary Examiner — Richard Kearney

Assistant Examiner — Benjamin M Weeks

(74) *Attorney, Agent, or Firm* — Oliff PLC

(73) Assignee: **BROTHER INDUSTRIES, LTD.**,
Nagoya (JP)

(**) Term: **15 Years**

(21) Appl. No.: **29/725,973**

(22) Filed: **Feb. 28, 2020**

(51) **LOC (13) Cl.** **16-06**

(52) **U.S. Cl.**

USPC **D16/135**

(58) **Field of Classification Search**

USPC D10/70, 109.1, 109.2; D16/134, 130, D16/131, 132, 135, 136, 137, 202-208, D16/245, 219; D24/120, 113, 118, 119, D24/121, 122, 124, 125, 128; D15/72

CPC ... G01C 3/00; G01C 3/02; G01C 3/04; G01C 3/06; G01C 3/08; G01C 3/085; G01C 3/10; G01C 3/12; G01C 3/16; G01C 3/18; G01C 3/20; G01C 3/22; G01C 3/24; G01C 3/26; G01C 3/28; G01C 3/30; G01C 3/32; B60Q 1/04; B60Q 1/26; F21S 8/026; F21S 8/04; F21V 29/004; F21V 21/02; F21V 29/2212; F21Y 2101/02; G02B 27/026; G02B 23/16; G02B 2003/0093; G02B 3/04; G02B 7/02; G02B 7/022; G02B 7/023; G02B 7/04; H04J 11/00; H04J 13/00;

(57) **CLAIM**

The ornamental design for a magnifier for sewing machine, as shown and described.

DESCRIPTION

FIG. 1 is a perspective view of the magnifier for sewing machine;

FIG. 2 is a front elevational view thereof;

FIG. 3 is a rear elevational view thereof;

FIG. 4 is a left-side elevational view thereof;

FIG. 5 is a right-side elevational view thereof;

FIG. 6 is a top plan view thereof;

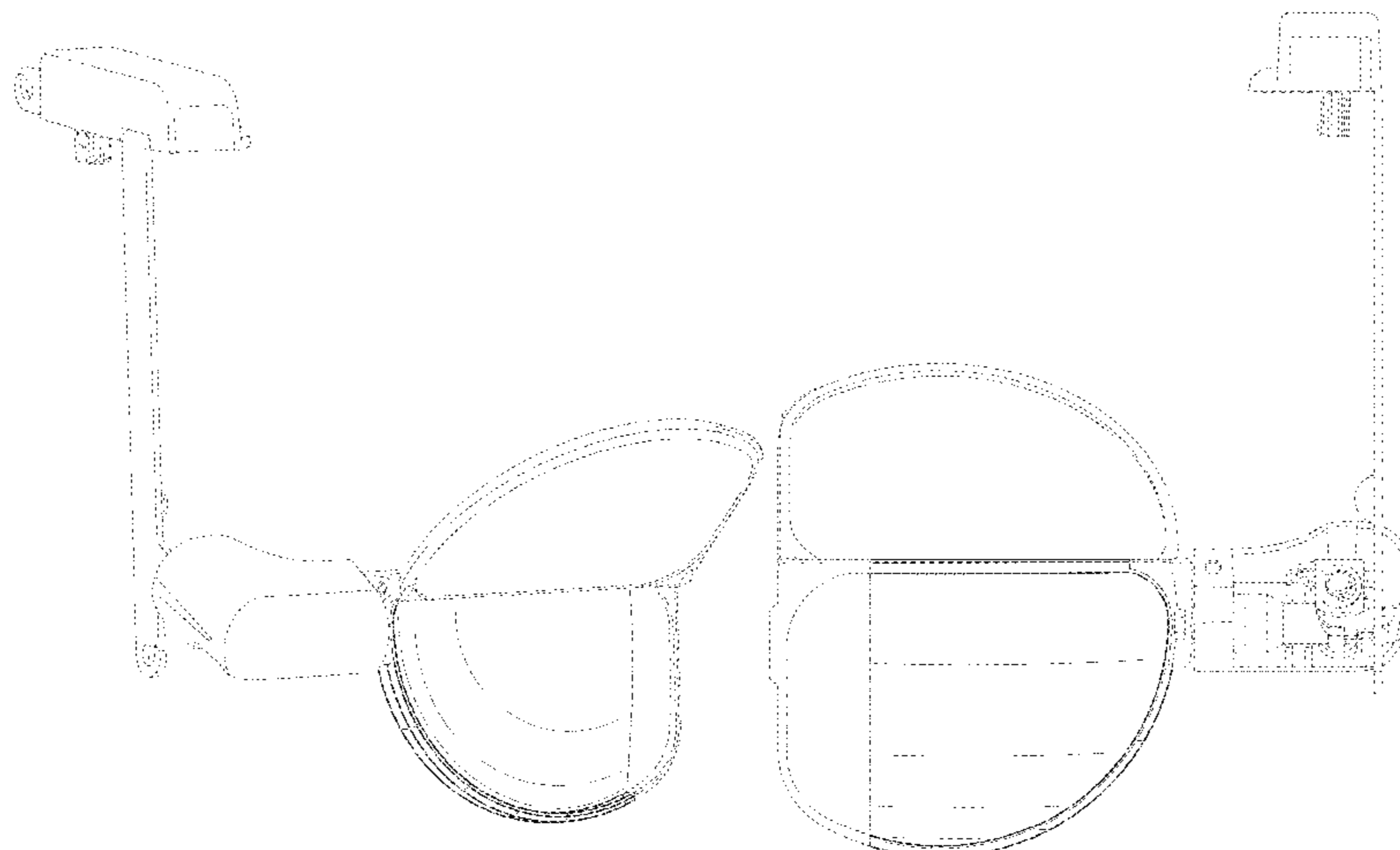
FIG. 7 is a bottom plan view thereof;

FIG. 8 is a cross-sectional view thereof along line 8-8 in FIG. 2; and,

FIG. 9 is a cross-sectional view thereof along line 9-9 in FIG. 2.

The evenly spaced broken lines depict portions of the magnifier for sewing machine which form no part of the claimed design. The dot-dash broken lines depict a boundary of the claim and form no part of the claimed design. The

(Continued)



dot-dot-dash broken lines depict cross-sectional lines and form no part of the claimed design.

1 Claim, 8 Drawing Sheets

(56)

References Cited

U.S. PATENT DOCUMENTS

D808,063 S *	1/2018	Starck	D26/110
D829,365 S *	9/2018	Momin	D26/120
D831,088 S *	10/2018	Hodgson	D16/135
D862,779 S *	10/2019	Anderson	D26/118
D923,859 S *	6/2021	Li	D26/118
2015/0153629 A1 *	6/2015	Hao	G03B 11/00 396/544

* cited by examiner

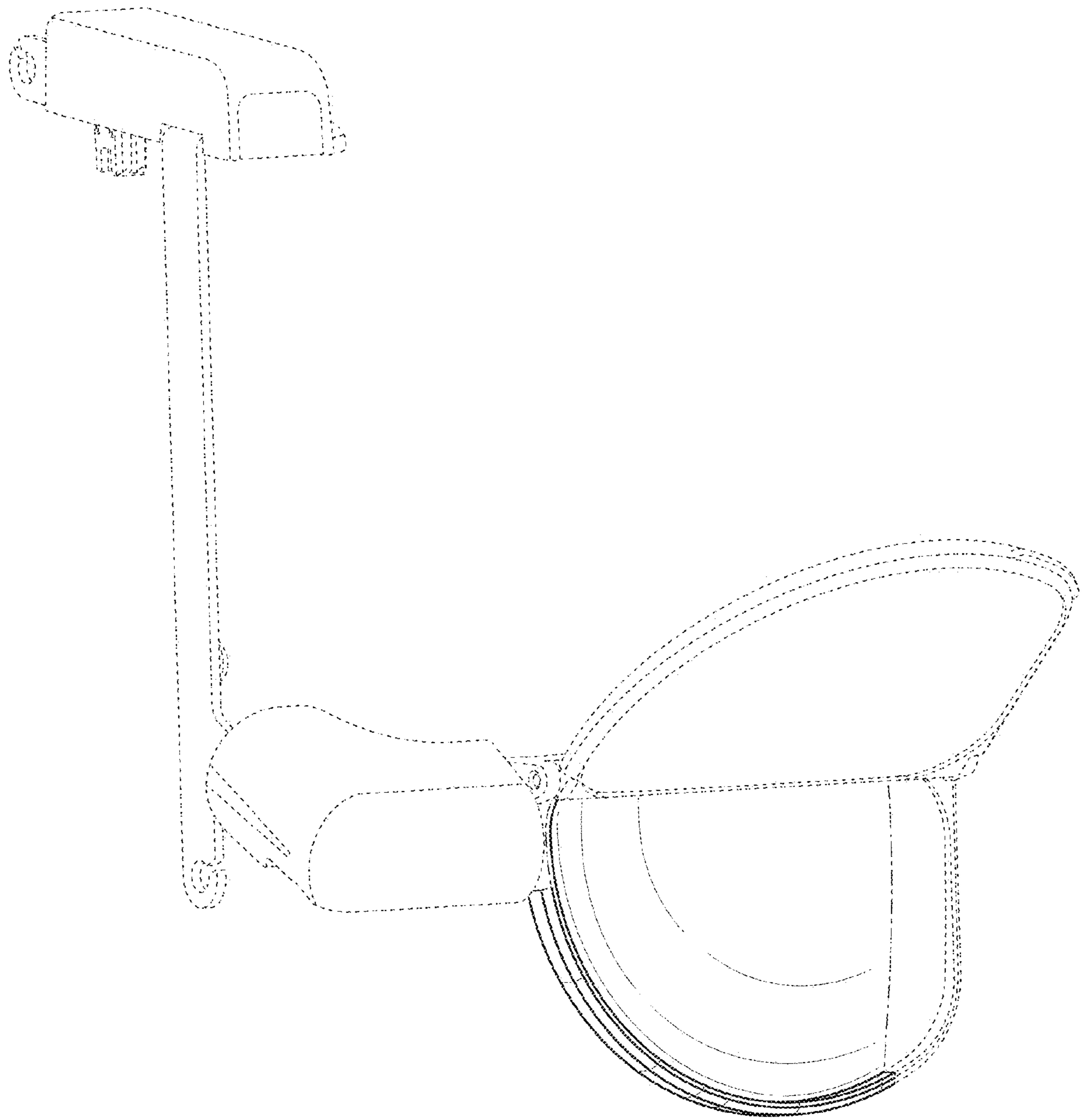


FIG. 1

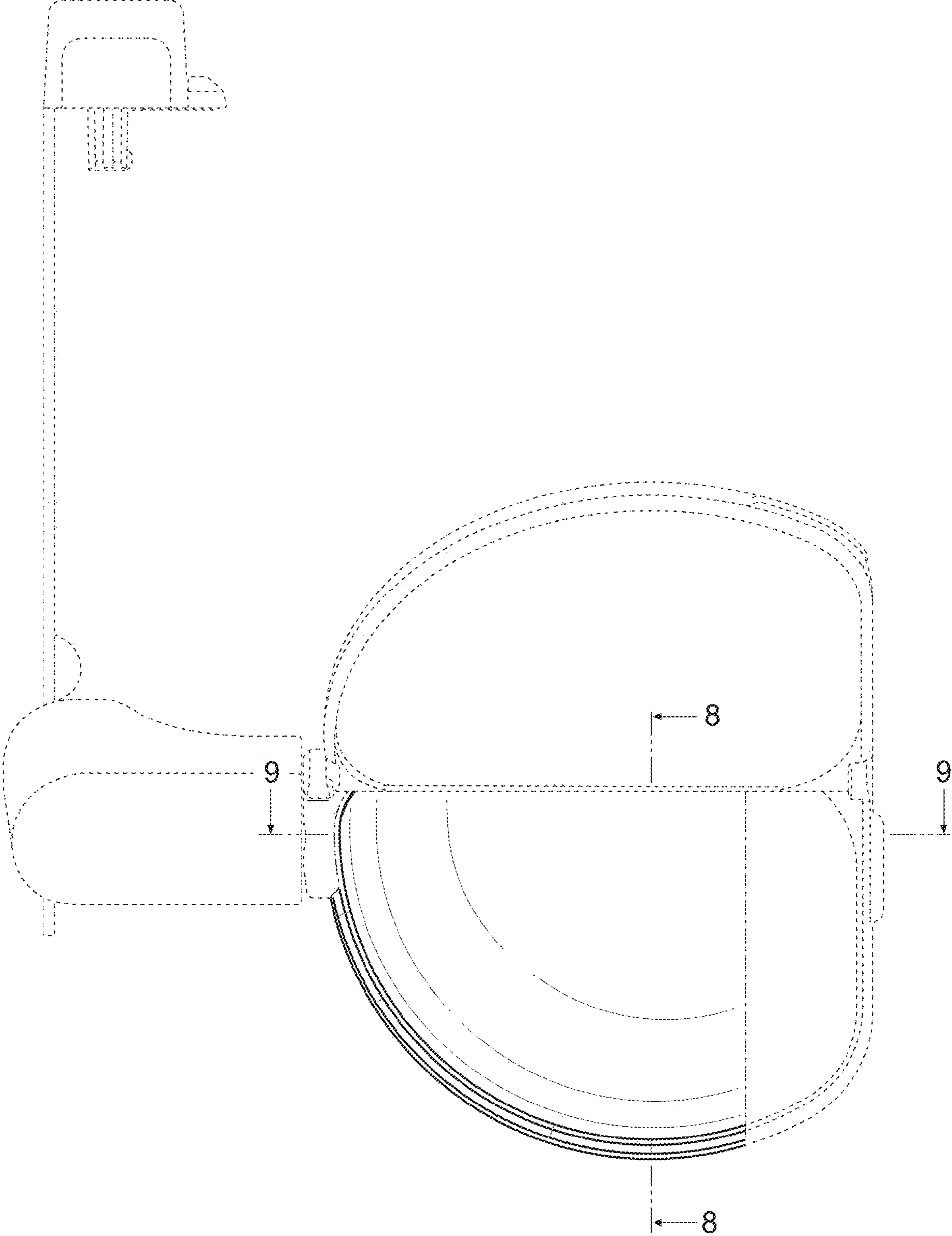


FIG. 2

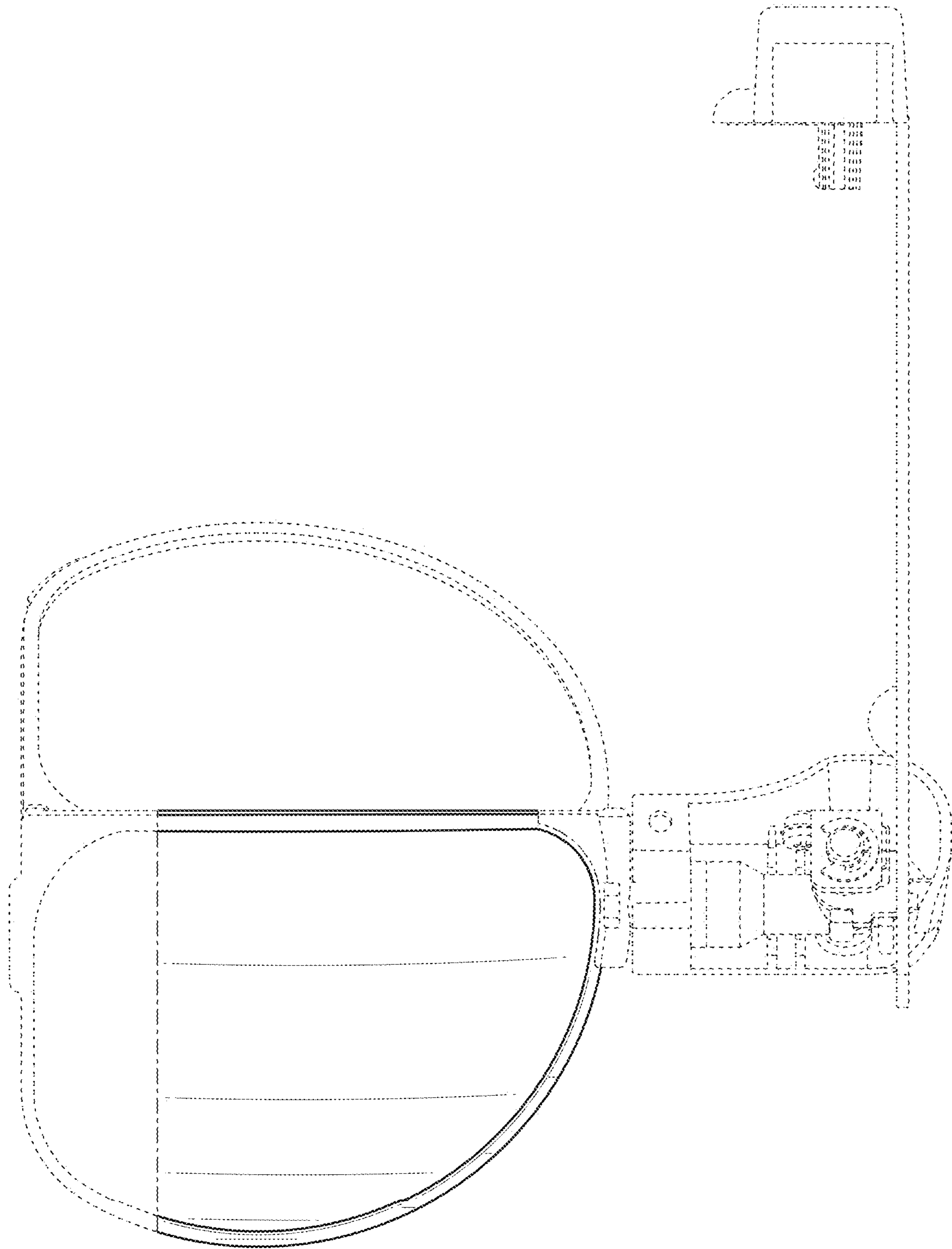


FIG. 3

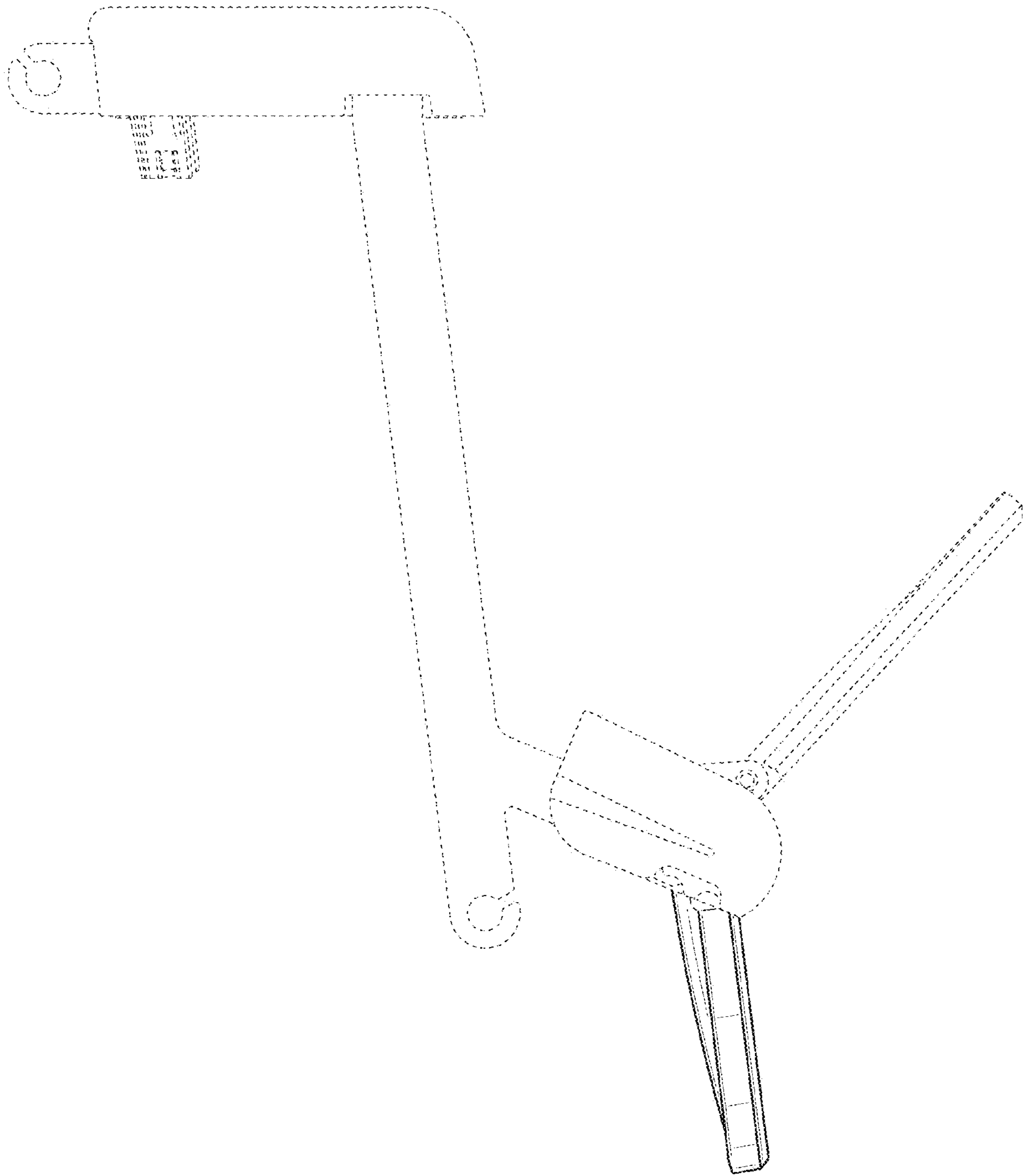


FIG. 4

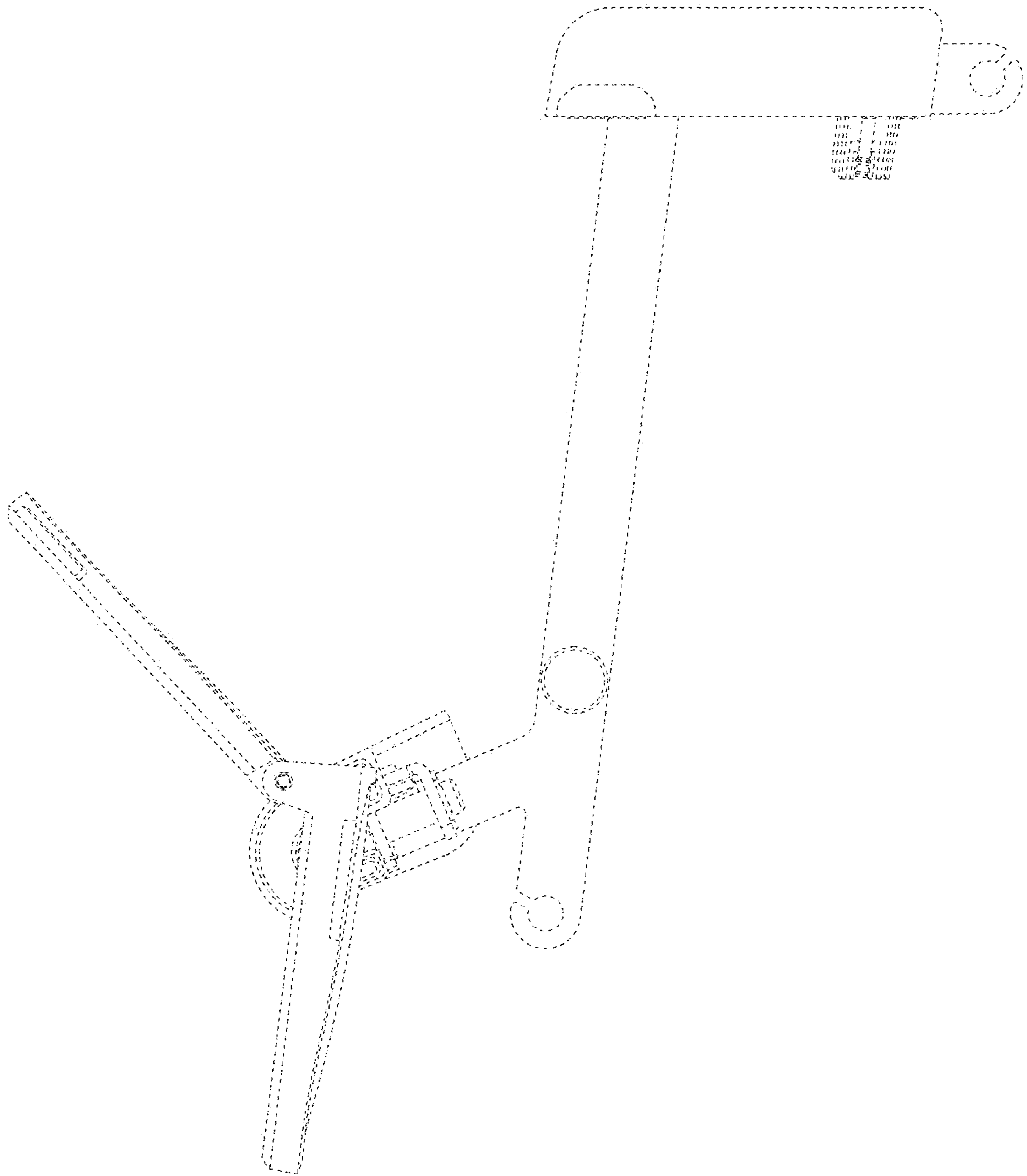


FIG. 5

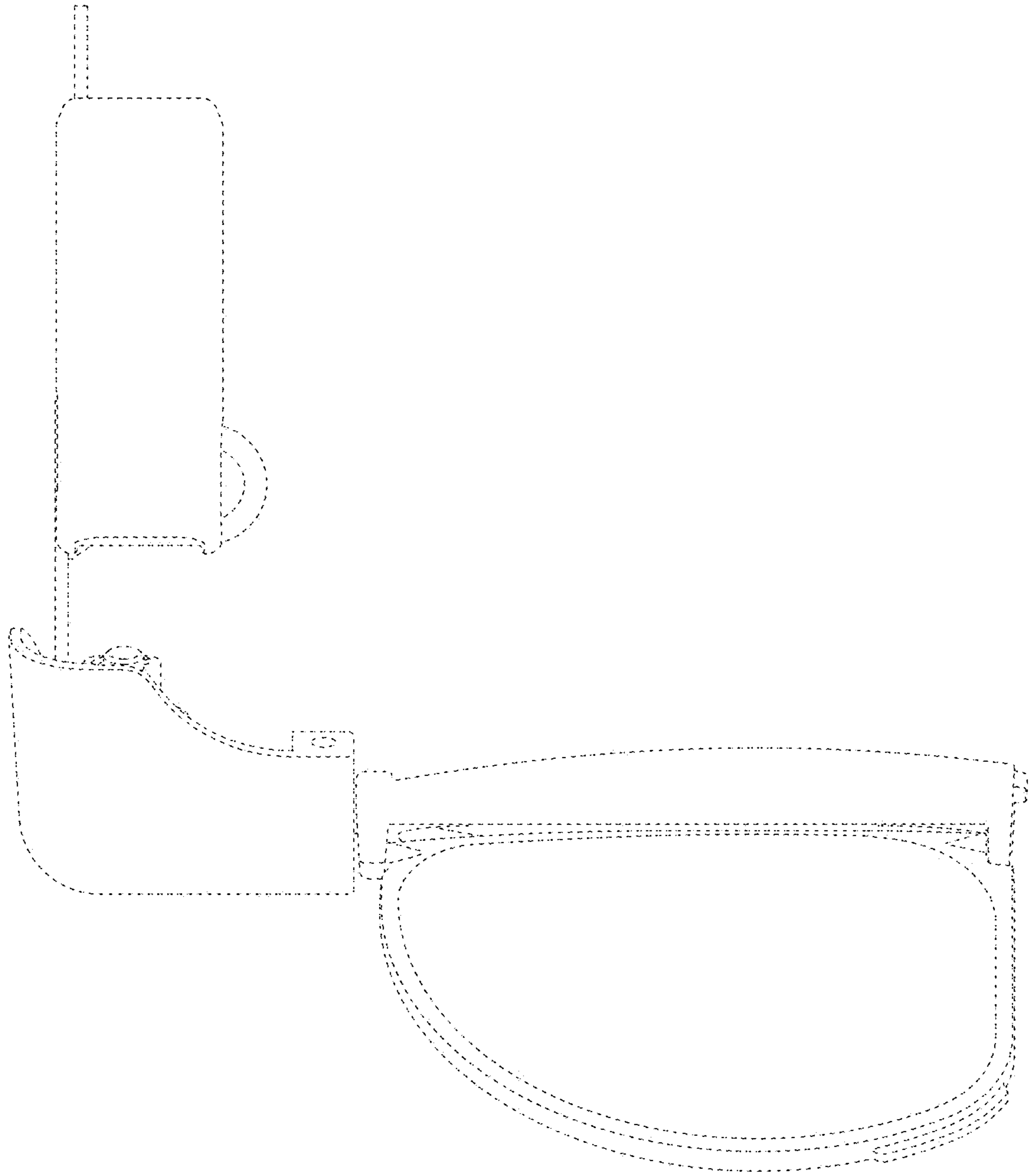


FIG. 6

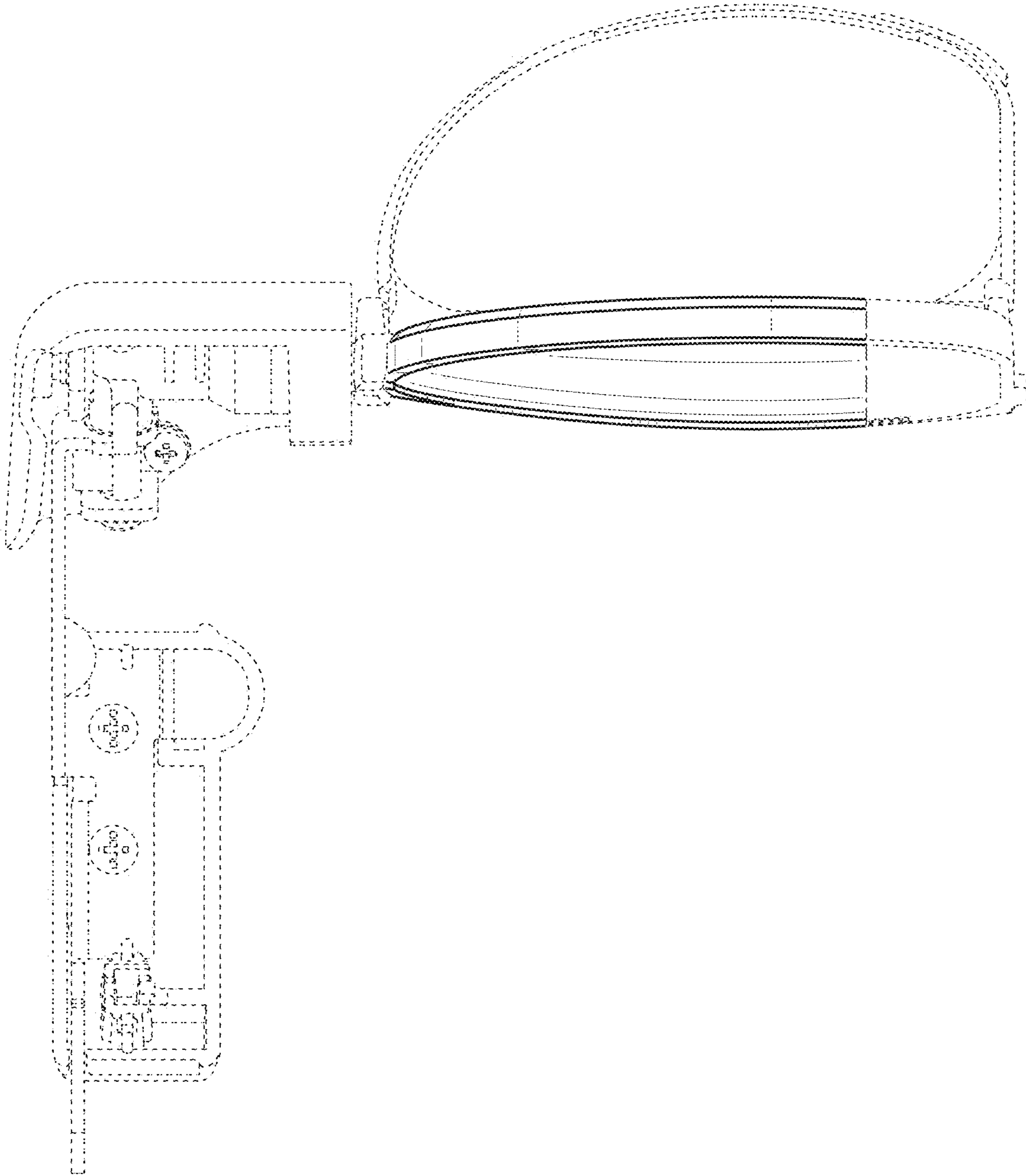


FIG. 7

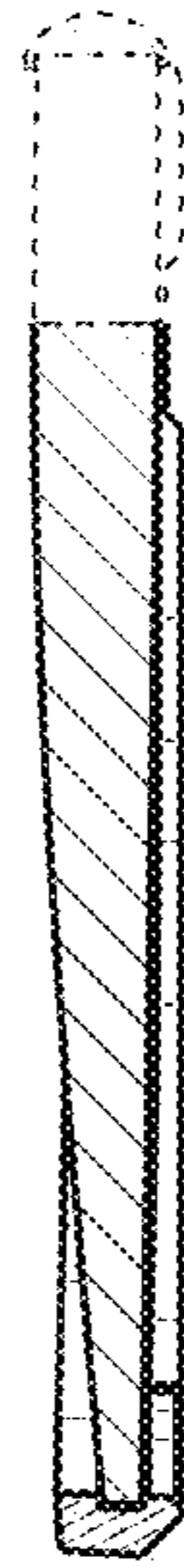


FIG. 8

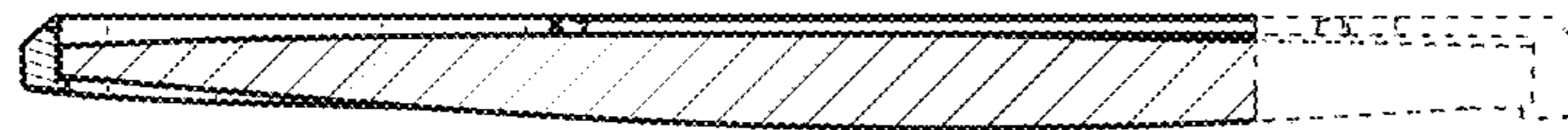


FIG. 9