



US00D965658S

(12) **United States Design Patent**
Ren

(10) **Patent No.:** **US D965,658 S**

(45) **Date of Patent:** **** Oct. 4, 2022**

(54) **NIGHT VISION GOGGLES**

(71) Applicant: **Ming Ren**, Shenzhen (CN)

(72) Inventor: **Ming Ren**, Shenzhen (CN)

(**) Term: **15 Years**

(21) Appl. No.: **29/815,442**

(22) Filed: **Nov. 14, 2021**

(30) **Foreign Application Priority Data**

Nov. 4, 2021 (EM) 008747075-0001

(51) **LOC (13) Cl.** **16-06**

(52) **U.S. Cl.**
USPC **D16/133**

(58) **Field of Classification Search**
USPC D16/130-136, 237, 239, 241, 242, 250,
D16/221, 222, 225, 229, 235, 236, 200,
D16/203, 204, 208, 214, 218, 219, 220;
D10/70, 109.1, 109.2; D22/108, 109
CPC ... G01C 3/00; G01C 3/02; G01C 3/04; G01C
3/06; G01C 3/08; G01C 3/085; G01C
3/10; G01C 3/12; G01C 3/16; G01C
3/18; G01C 3/20; G01C 3/22; G01C
3/24; G01C 3/26; G01C 3/28; G01C
3/30; G01C 3/32; G02B 23/00; G02B
23/04; G02B 23/12; G02B 23/14; G02B
23/18

See application file for complete search history.

(56) **References Cited**

U.S. PATENT DOCUMENTS

5,467,479 A * 11/1995 Mattes A42B 3/04
2/6.3
5,469,578 A * 11/1995 Mattes G02B 23/125
2/6.7
D380,224 S * 6/1997 Kung D16/132
D518,498 S * 4/2006 Reed D16/132
D590,859 S * 4/2009 Steiner D16/133

D597,113 S * 7/2009 Steiner D16/133
D827,015 S * 8/2018 Chen
D850,507 S * 6/2019 Sun D16/133
D851,153 S * 6/2019 Chen D16/133
D853,467 S * 7/2019 Chen
D898,794 S * 10/2020 Fischbach D16/133
D898,795 S * 10/2020 Fischbach D16/133
D906,395 S * 12/2020 Fischbach D16/133
D911,410 S * 2/2021 An D16/133
D938,507 S * 12/2021 Zeng D16/133
D954,123 S * 6/2022 Jiang D16/133
D958,218 S * 7/2022 Jin D16/133
2021/0030098 A1 * 2/2021 O'Connell A42B 3/042
2021/0141219 A1 * 5/2021 Chen G02B 23/12

OTHER PUBLICATIONS

AGM Global Vision Dual Tube Night Vision Goggle, <https://www.amazon.com/AGM-NVG-50-3-AW1-Vision-Binocular/dp/B08TV83GLH/>, Jan. 23, 2021 (Year: 2021).*

* cited by examiner

Primary Examiner — Richard Kearney
Assistant Examiner — Benjamin M Weeks
(74) *Attorney, Agent, or Firm* — Jeenam Park

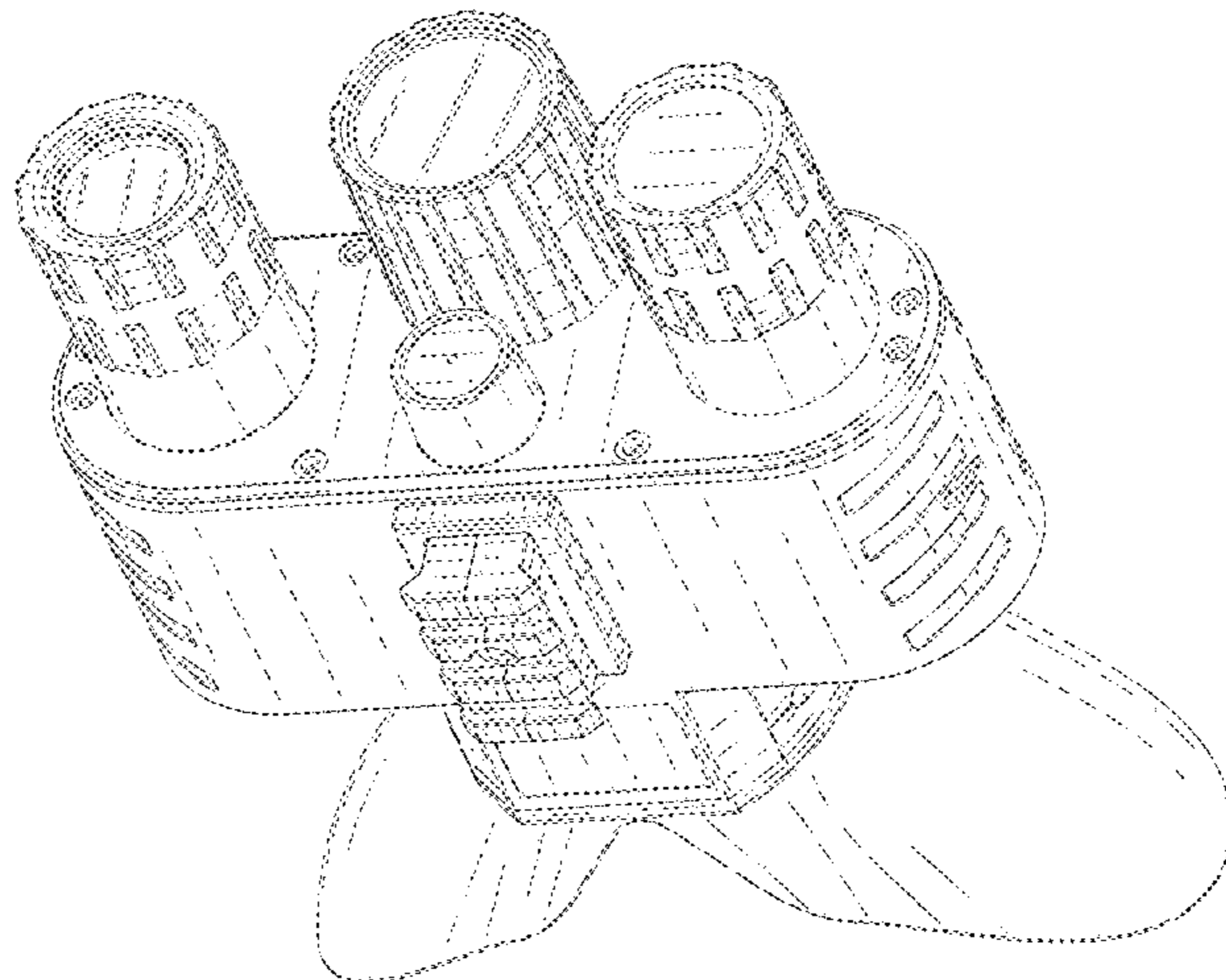
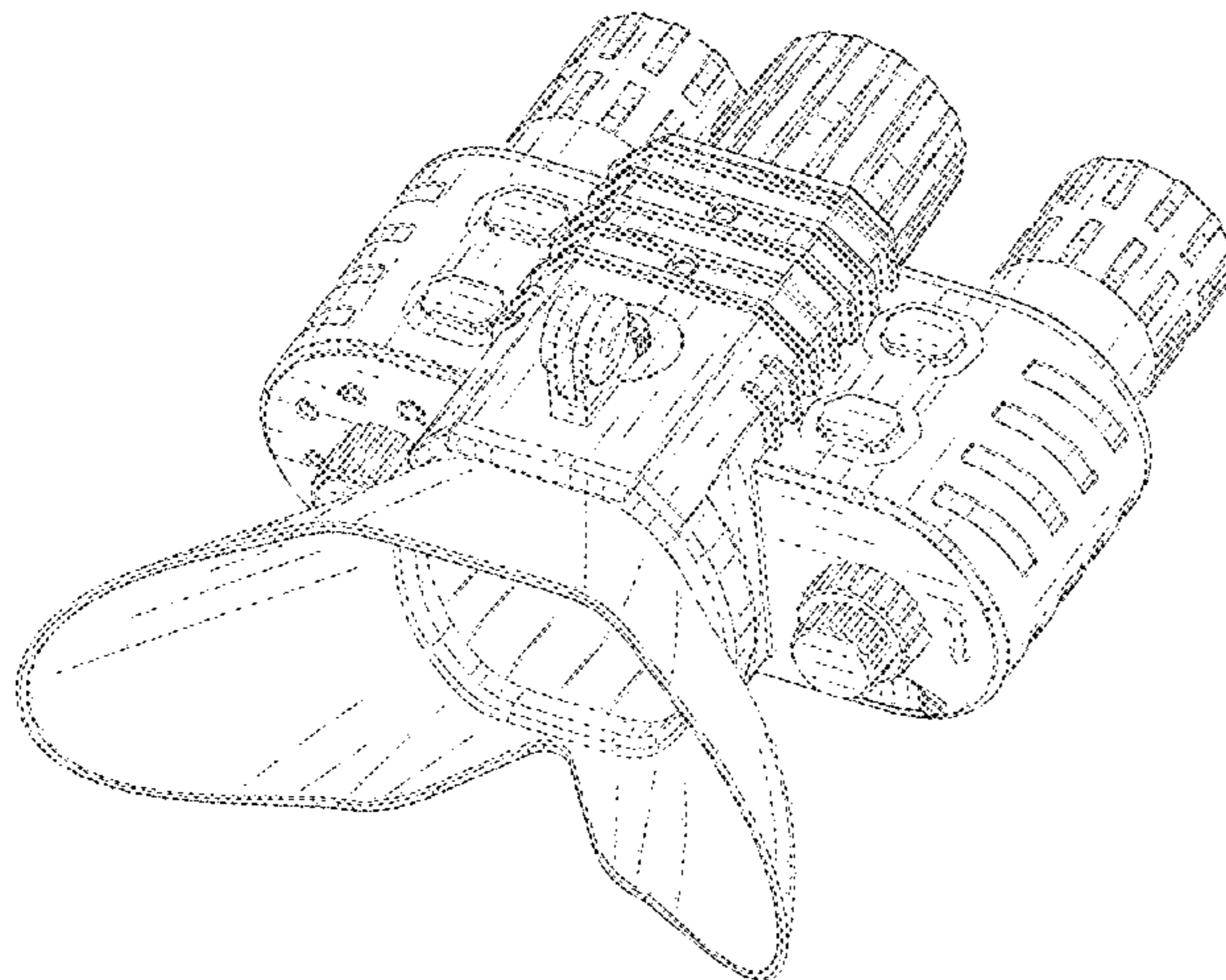
(57) **CLAIM**

The ornamental design for night vision goggles, as shown and described.

DESCRIPTION

FIG. 1 is a perspective view of night vision goggles, showing my new design;
FIG. 2 is another perspective view thereof;
FIG. 3 is a front view thereof;
FIG. 4 is a rear view thereof;
FIG. 5 is a left side view thereof;
FIG. 6 is a right side view thereof;
FIG. 7 is a top plan view thereof; and,
FIG. 8 is a bottom plan view thereof.

1 Claim, 8 Drawing Sheets



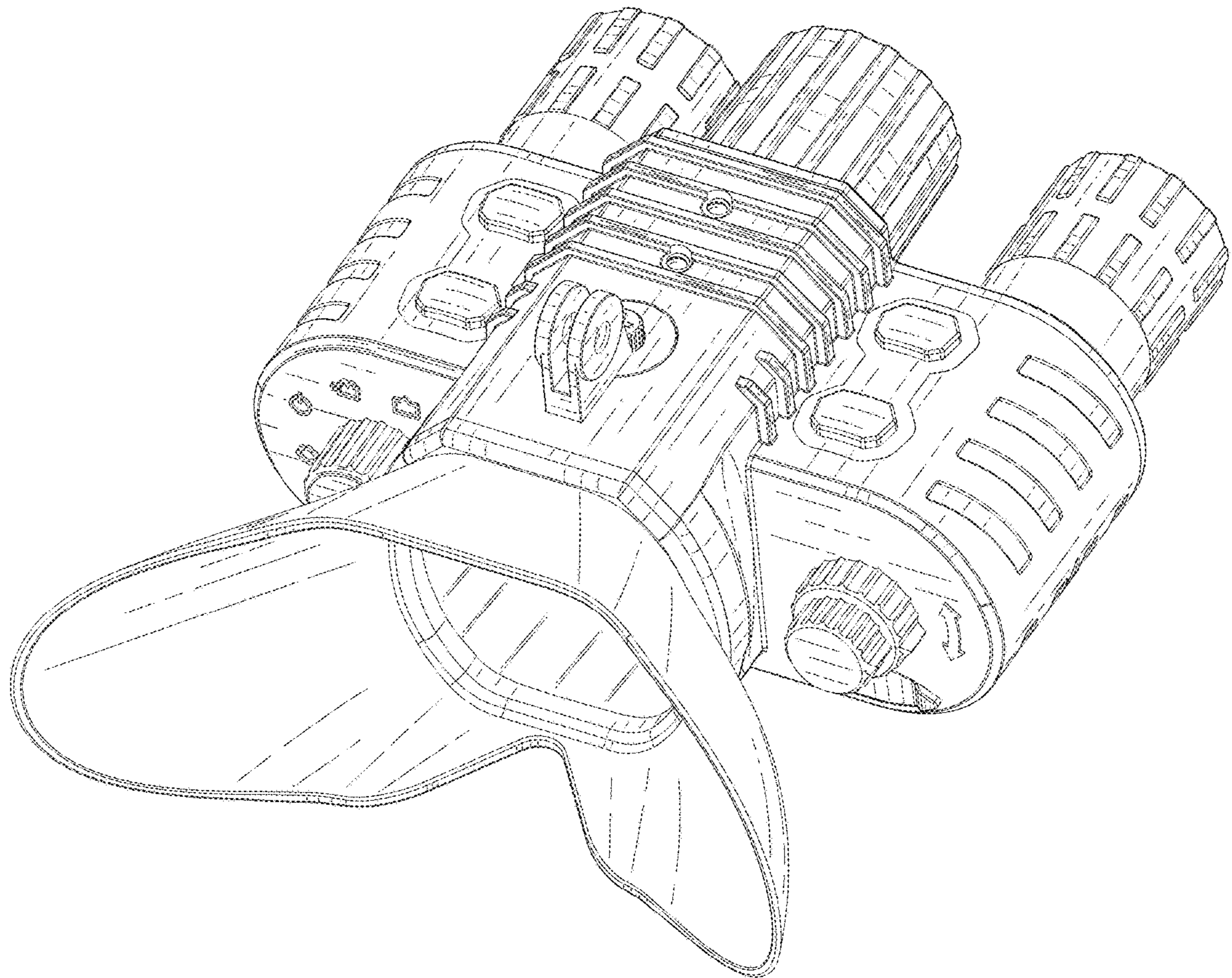


FIG. 1

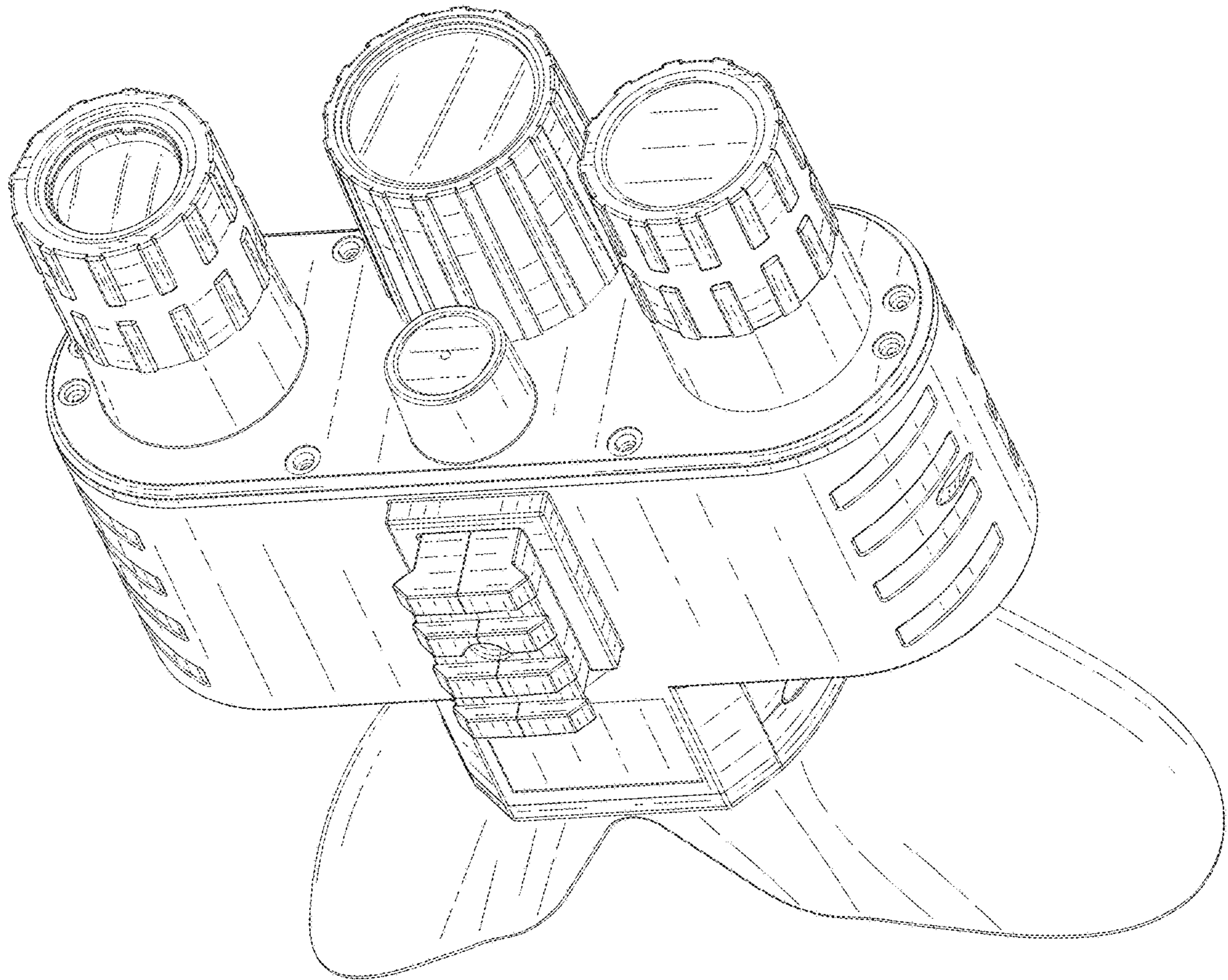


FIG. 2

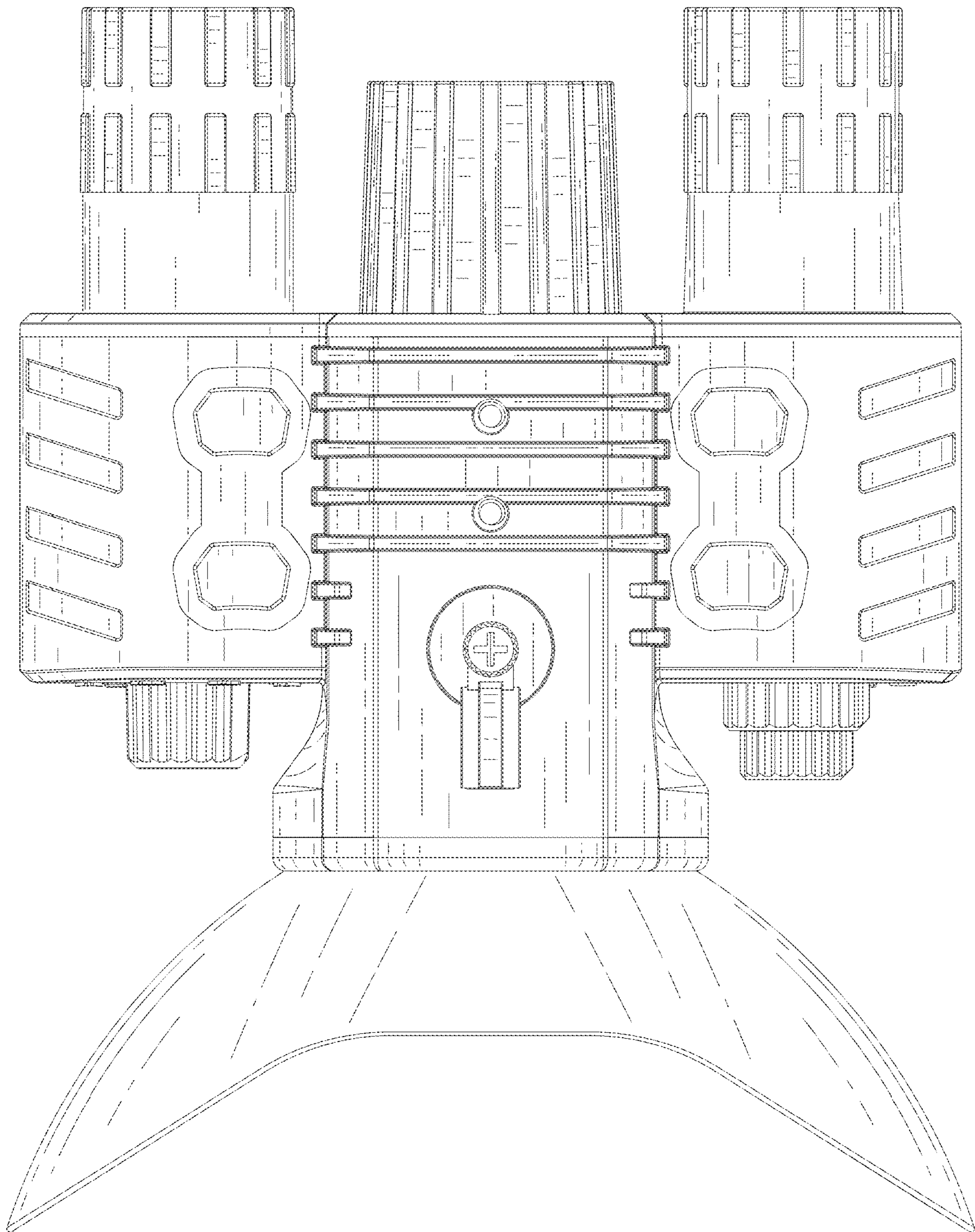


FIG. 3

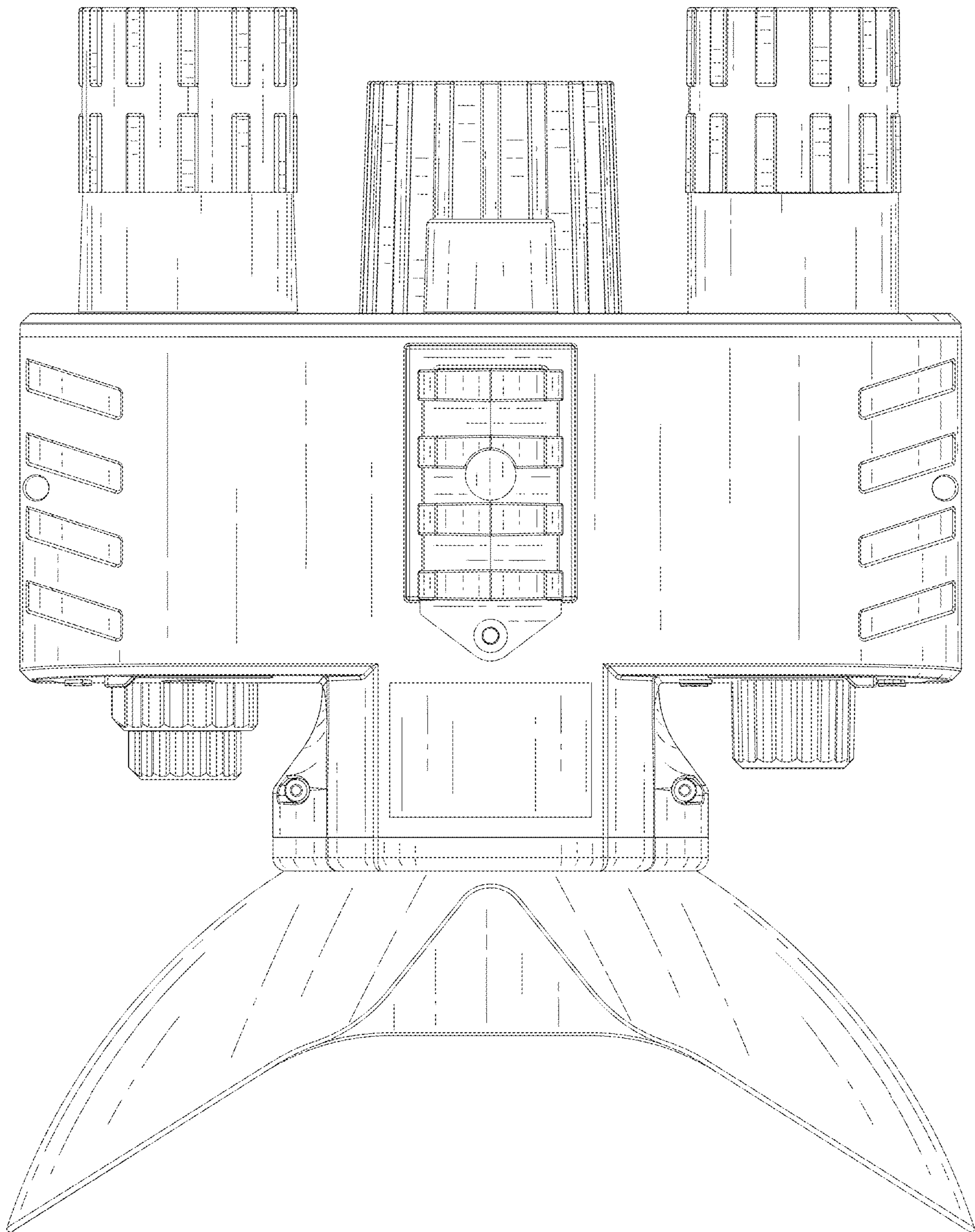


FIG. 4

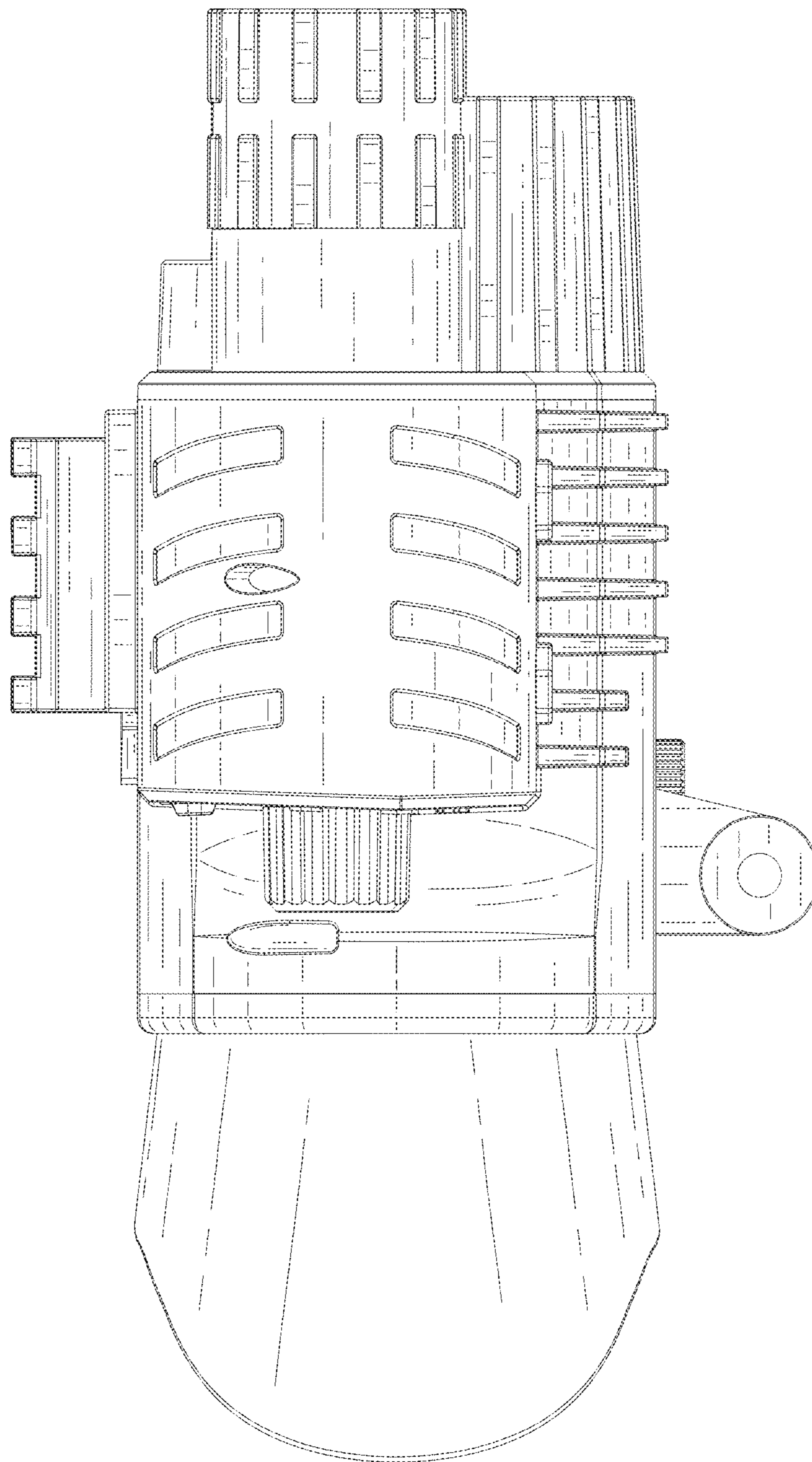


FIG. 5

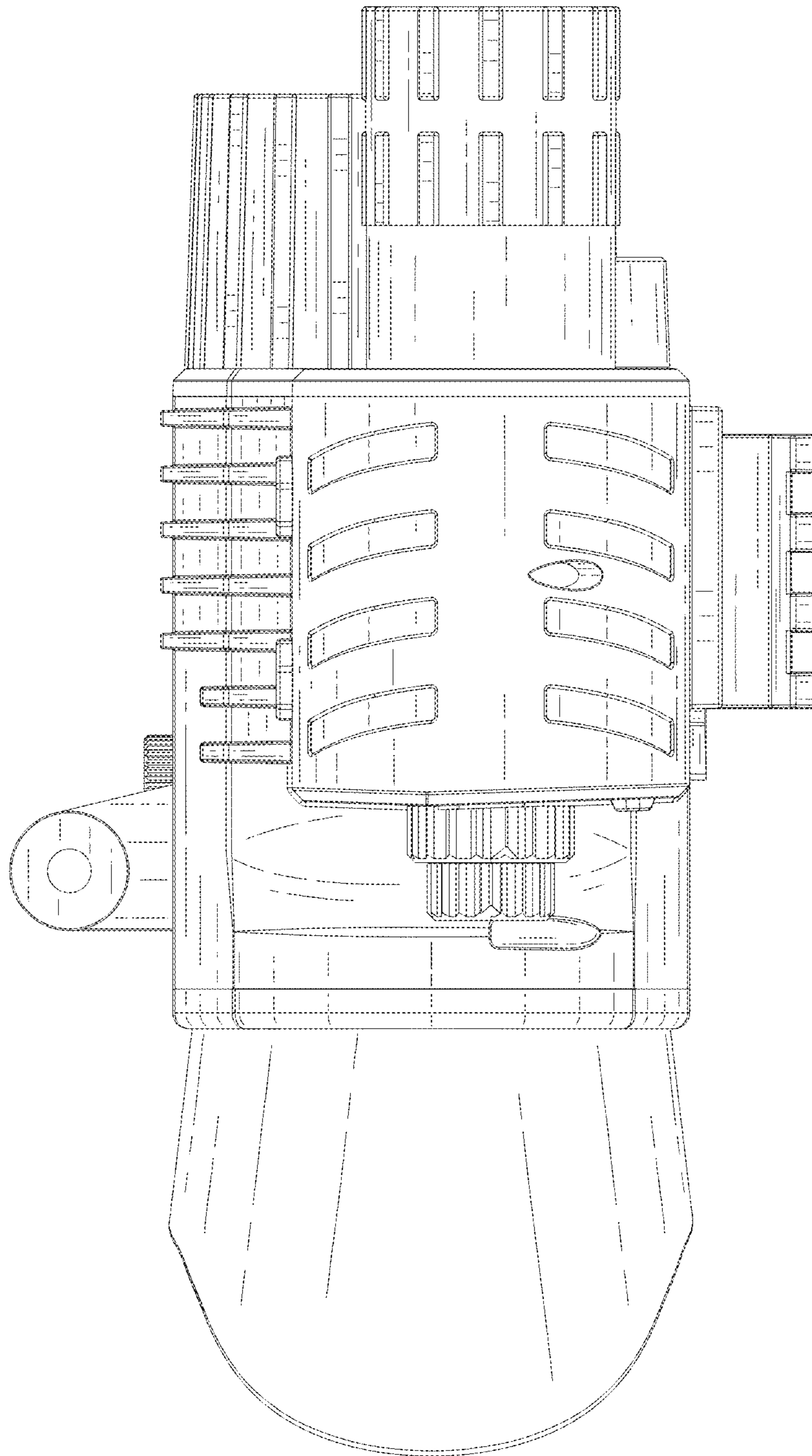


FIG. 6

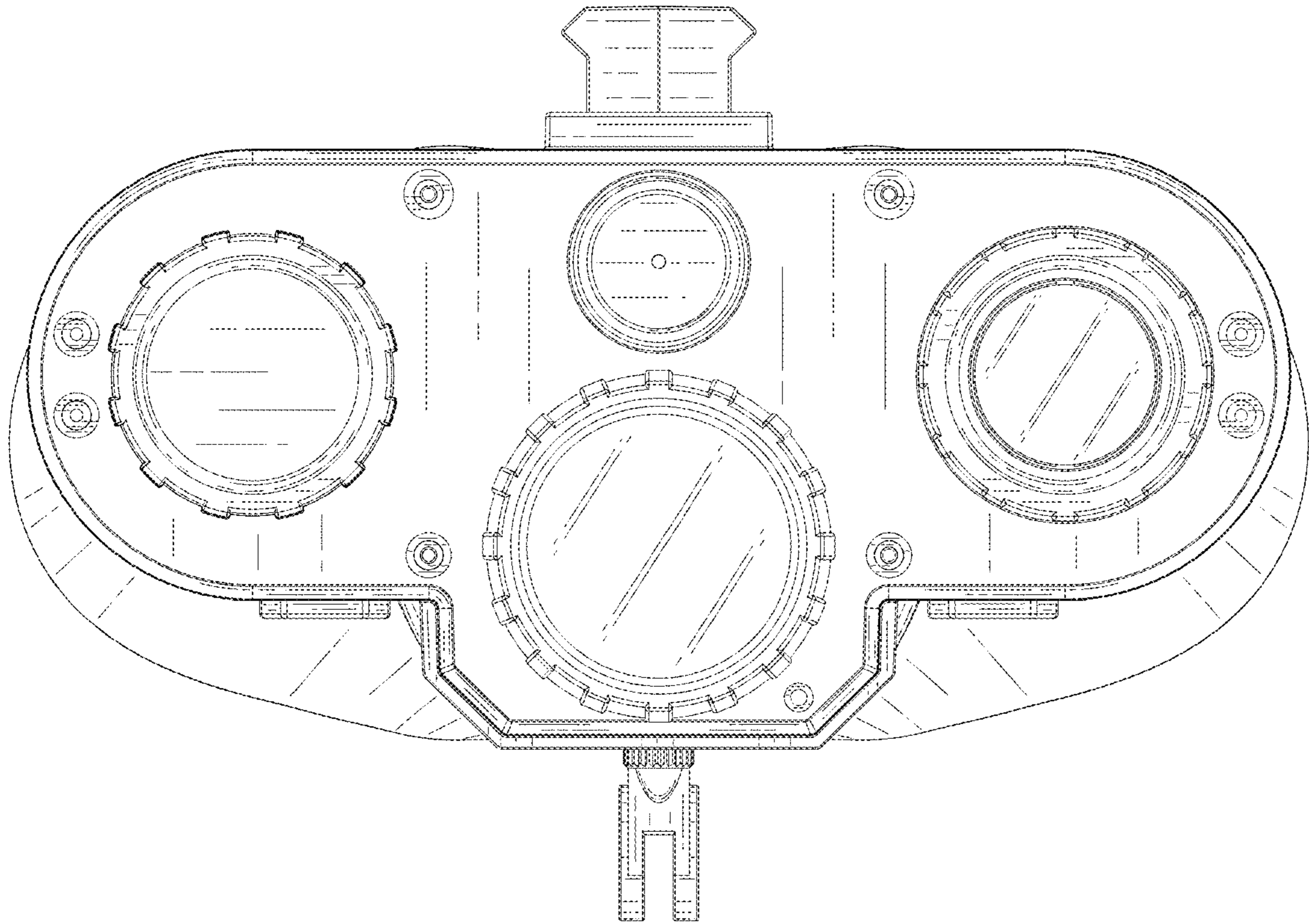


FIG. 7

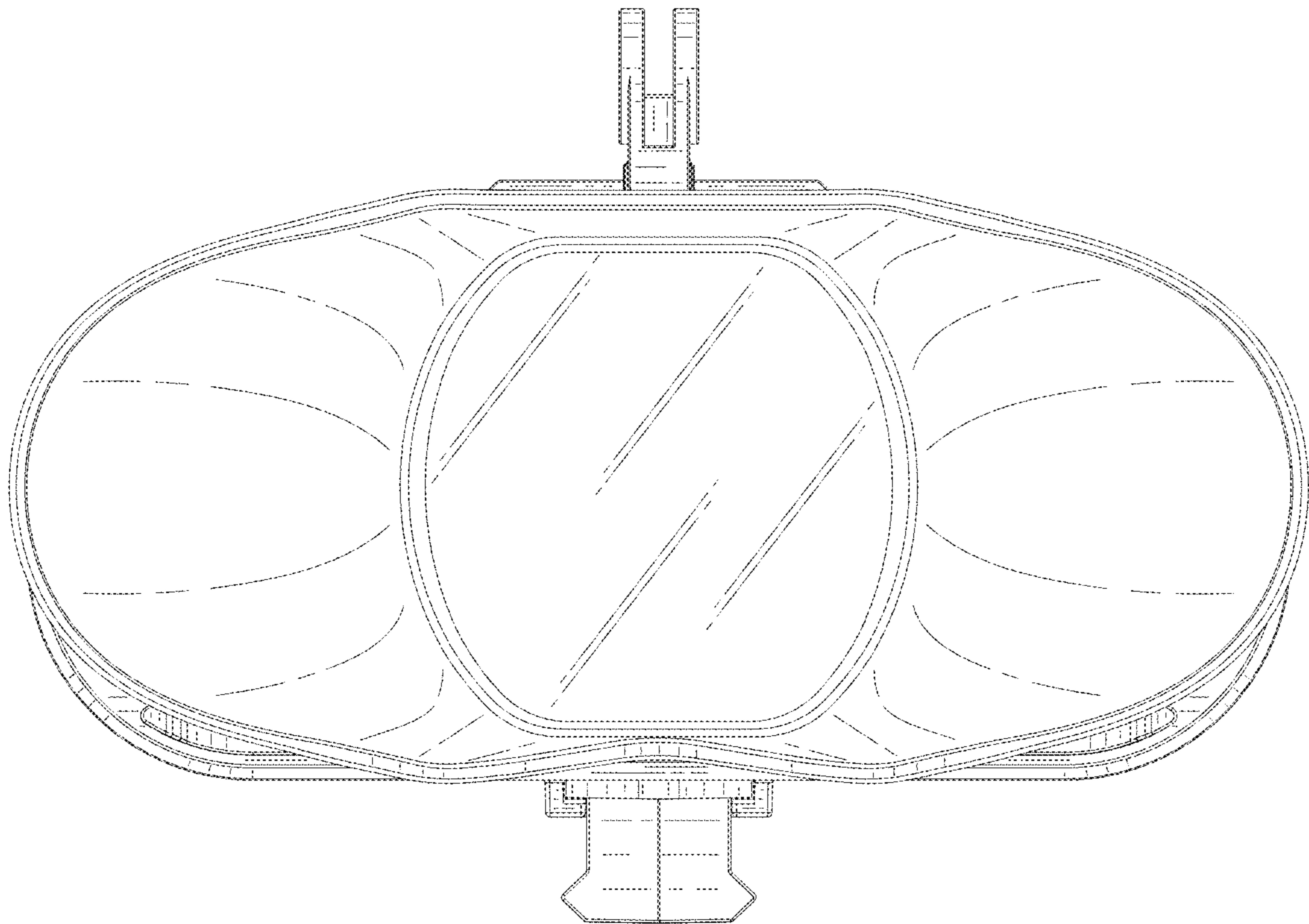


FIG. 8