



US00D965656S

(12) **United States Design Patent** (10) **Patent No.:** **US D965,656 S**
Cederwall et al. (45) **Date of Patent:** **** Oct. 4, 2022**

(54) **MOBILE ROBOT**
(71) Applicant: **Omron Corporation**, Kyoto (JP)
(72) Inventors: **Kevin Cederwall**, Walnut Creek, CA (US); **Pete Cardamone**, Brentwood, CA (US); **Zachary Lamb**, San Ramon, CA (US)

7,912,633 B1 3/2011 Dietsch et al.
D675,656 S 2/2013 Sutherland et al.
8,401,275 B2 3/2013 Wang et al.
8,444,631 B2 5/2013 Yeung et al.
D704,000 S 5/2014 Shin et al.
D717,208 S 11/2014 Stone et al.
D722,281 S 2/2015 Stone et al.

(Continued)

(73) Assignee: **Omron Corporation**, Kyoto (JP)
(**) Term: **15 Years**

FOREIGN PATENT DOCUMENTS

EP 1590272 11/2005
WO WO-2021076519 A1 * 4/2021 B60K 7/0007

(21) Appl. No.: **29/709,416**

OTHER PUBLICATIONS

Adept Technology, Inc., MT400 Datasheet, 2012.

(22) Filed: **Oct. 14, 2019**

(Continued)

(51) **LOC (13) Cl.** **15-99**

(52) **U.S. Cl.**
USPC **D15/199**

(58) **Field of Classification Search**
USPC D12/1; D15/199; D32/21; D34/12, 24, D34/28, 34
CPC B25J 5/007; B25J 9/1694; G05D 1/027; G05D 1/0011; G05D 1/0231; G05D 1/0242; G05D 2201/0216; Y10S 901/01; Y10S 901/46; Y10S 901/49
See application file for complete search history.

Primary Examiner — Patricia A Palasik
(74) *Attorney, Agent, or Firm* — Knobbe, Martens, Olson & Bear, LLP

(57) **CLAIM**

The ornamental design for a mobile robot, as shown and described.

DESCRIPTION

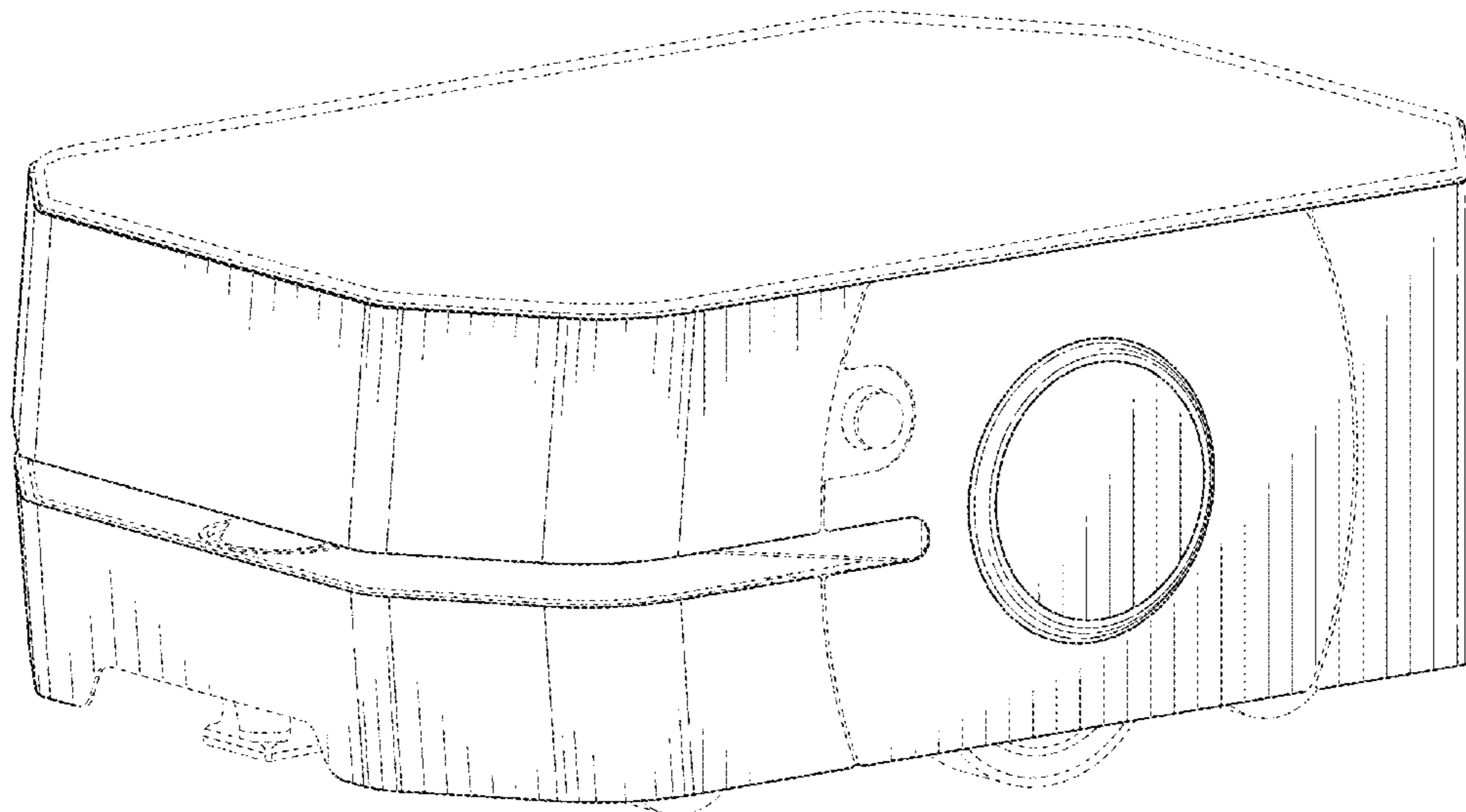
(56) **References Cited**

U.S. PATENT DOCUMENTS

D410,660 S 6/1999 Kawaguchi
6,142,525 A 11/2000 Kinto et al.
6,925,357 B2 8/2005 Wang et al.
7,110,859 B2 9/2006 Shibata et al.
D548,902 S 8/2007 Chun et al.
D556,691 S 12/2007 Shiu
D586,959 S 2/2009 Geringer et al.
7,650,013 B2 1/2010 Dietsch et al.
7,693,654 B1 4/2010 Dietsch et al.
D622,747 S 8/2010 Kobayashi et al.
7,826,919 B2 11/2010 D'Andrea et al.
7,873,437 B2 1/2011 Aldred et al.
7,894,939 B2 2/2011 Zini et al.

FIG. 1 is a front perspective view of a mobile robot embodying the new design.
FIG. 2 is a rear perspective view thereof.
FIG. 3 is a front view thereof.
FIG. 4 is a rear view thereof.
FIG. 5 is a first side view thereof
FIG. 6 is a second side view thereof
FIG. 7 is a top view thereof; and,
FIG. 8 is a bottom view thereof.
All features in broken lines are for the purpose of illustrating portions of the mobile robot and form no part of the claimed design.

1 Claim, 7 Drawing Sheets



(56)

References Cited

U.S. PATENT DOCUMENTS

D722,631 S 2/2015 Stone et al.
 D722,632 S 2/2015 Stone et al.
 D736,117 S 8/2015 Stone et al.
 D810,799 S * 2/2018 Sokuza D15/199
 D812,663 S * 3/2018 Waters D15/199
 D856,389 S * 8/2019 Gayne D15/199
 D865,021 S * 10/2019 Hu D15/199
 D871,475 S * 12/2019 Kolb D15/199
 D871,476 S * 12/2019 Kolb D15/199
 D871,477 S * 12/2019 Kolb D15/199
 D871,478 S * 12/2019 Wang D15/199
 D873,173 S * 1/2020 Brucker D12/1
 D873,174 S * 1/2020 Sokuza D12/1
 D879,851 S * 3/2020 Li D15/199
 D879,852 S * 3/2020 Chen D15/199
 D880,550 S * 4/2020 Sokuza D15/199
 D886,173 S * 6/2020 Sokuza D15/199
 D886,174 S * 6/2020 Blomgren D15/199
 D887,468 S * 6/2020 Hirvesaar D15/199
 D890,239 S * 7/2020 Srivastava D15/199
 D893,570 S * 8/2020 Zheng D15/199
 10,752,157 B1 * 8/2020 Zeller B65G 67/24
 D896,858 S * 9/2020 Kapuria D15/199
 D898,790 S * 10/2020 Sokuza D15/199
 D899,475 S * 10/2020 Xiao D15/199
 D902,272 S * 11/2020 Cascajar Ordóñez D15/199
 D902,277 S * 11/2020 Sakaguchi D15/199
 D906,390 S * 12/2020 Kapuria D15/199
 D907,084 S * 1/2021 Kapuria D15/199
 D907,677 S * 1/2021 Mork D15/199

D907,678 S * 1/2021 Cai D15/199
 D911,406 S * 2/2021 Srivastava D15/199
 D912,119 S * 3/2021 Rembisz D15/199
 D914,075 S * 3/2021 Sokuza D15/199
 D917,590 S * 4/2021 Li D15/199
 D924,291 S * 7/2021 Bangalore Srinivas D15/199
 D924,955 S * 7/2021 Hoshino D15/199
 D929,478 S * 8/2021 Mork D15/199
 2004/0179714 A1 9/2004 Jouppi
 2005/0083011 A1 4/2005 Yang et al.
 2006/0196003 A1 9/2006 Song et al.
 2007/0185617 A1 * 8/2007 Kim G05D 1/0244
 700/245
 2007/0192910 A1 8/2007 Vu et al.
 2009/0035181 A1 * 2/2009 Chung G01N 35/04
 422/68.1
 2010/0174410 A1 7/2010 Greer et al.
 2010/0198402 A1 8/2010 Greer et al.
 2013/0087393 A1 4/2013 Vanderstegen-Drake
 2014/0031984 A1 1/2014 Cross et al.
 2020/0206962 A1 * 7/2020 Sohmshtetty B25J 19/005

OTHER PUBLICATIONS

Adept Technology, Inc., PatrolBot Datasheet, 2011.
 Mobile Robots, Inc., "What's New at IROS 2009!" Brochure, 2009.
 PRWEB, "Swisslog's Autonomous Mobile Robots Available for Lease" Press Release, May 2010.
 Swisslog Healthcare Solutions, At-A-Glance Robocourier Brochure, 2011.

* cited by examiner

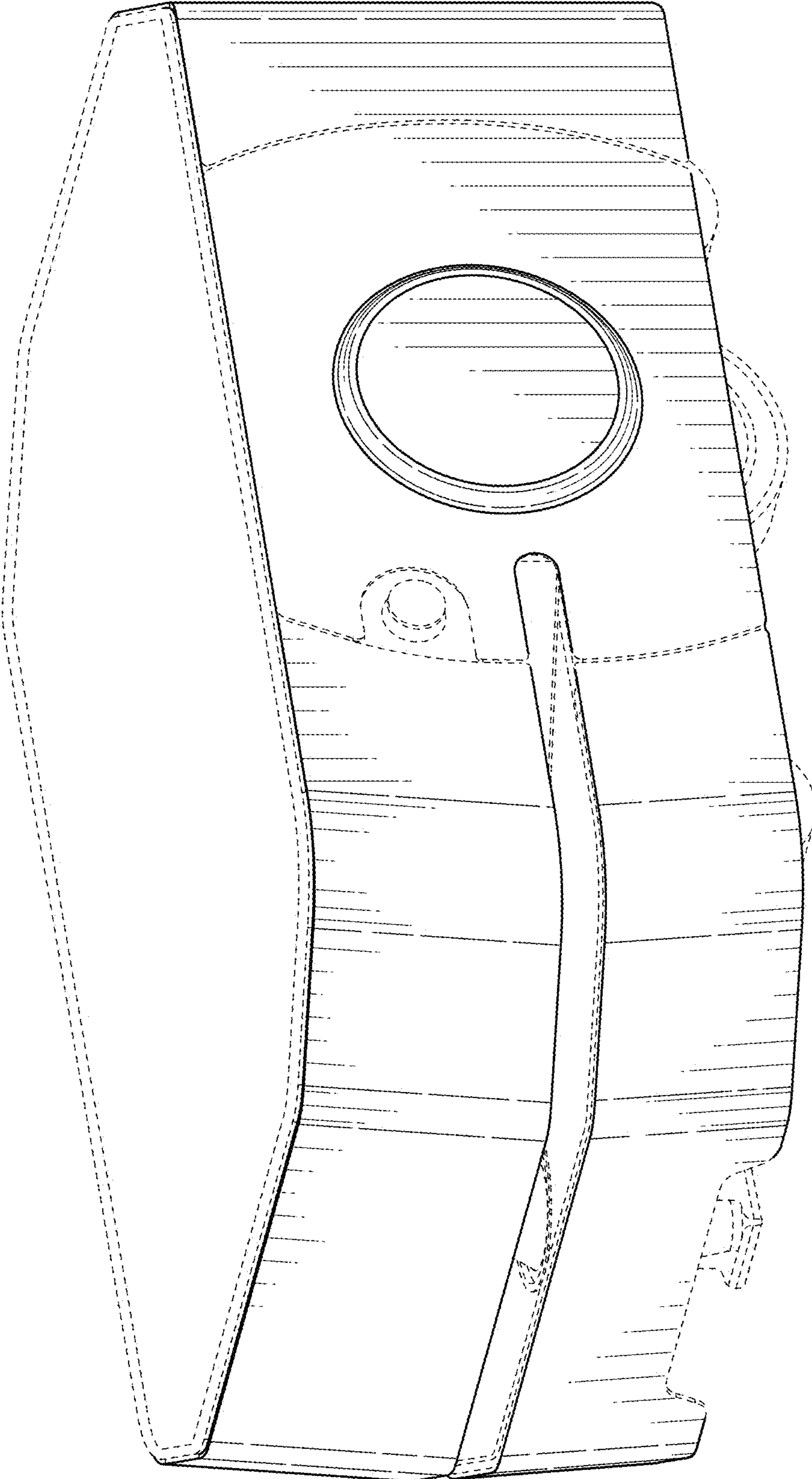


FIG. 1

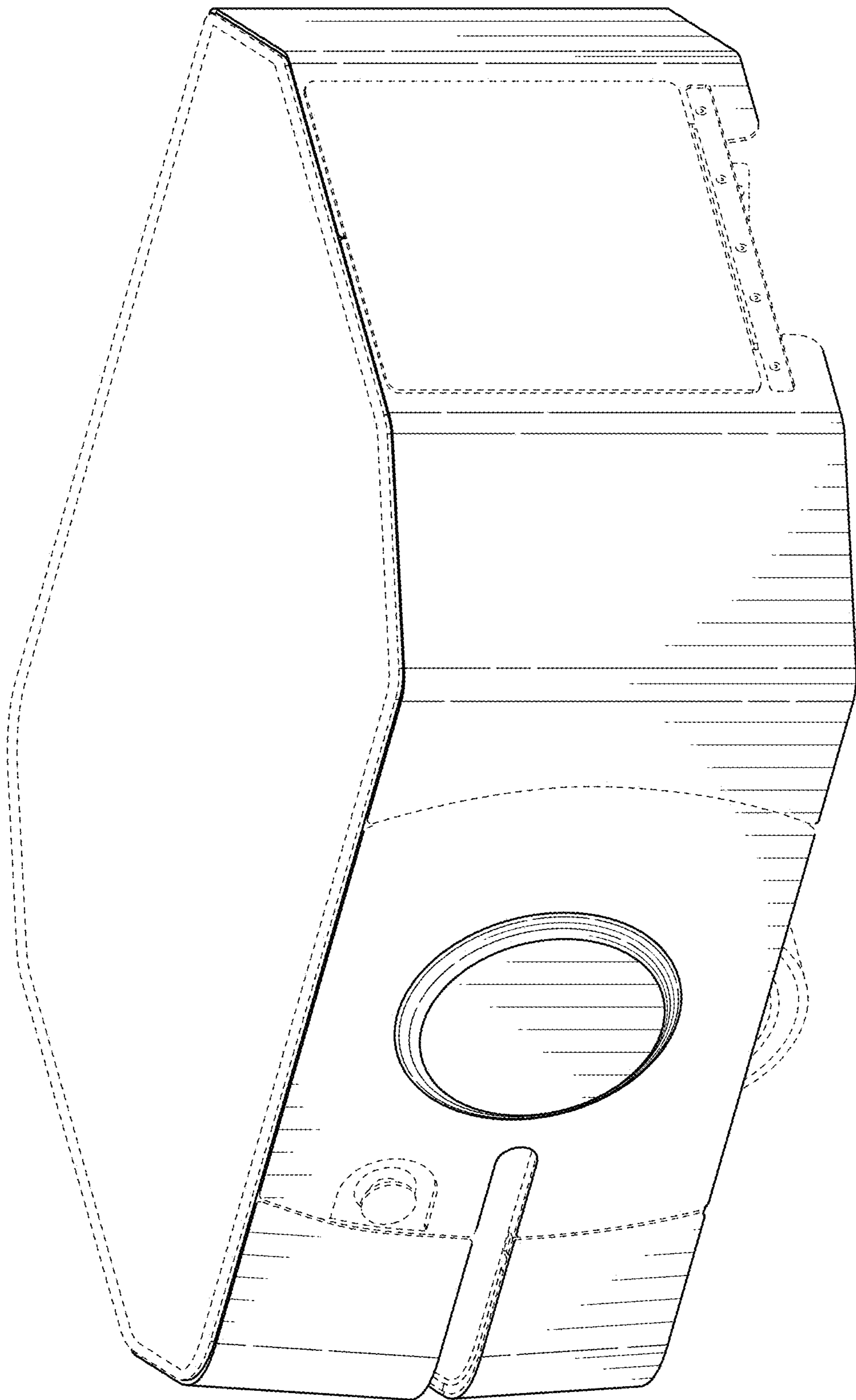


FIG. 2

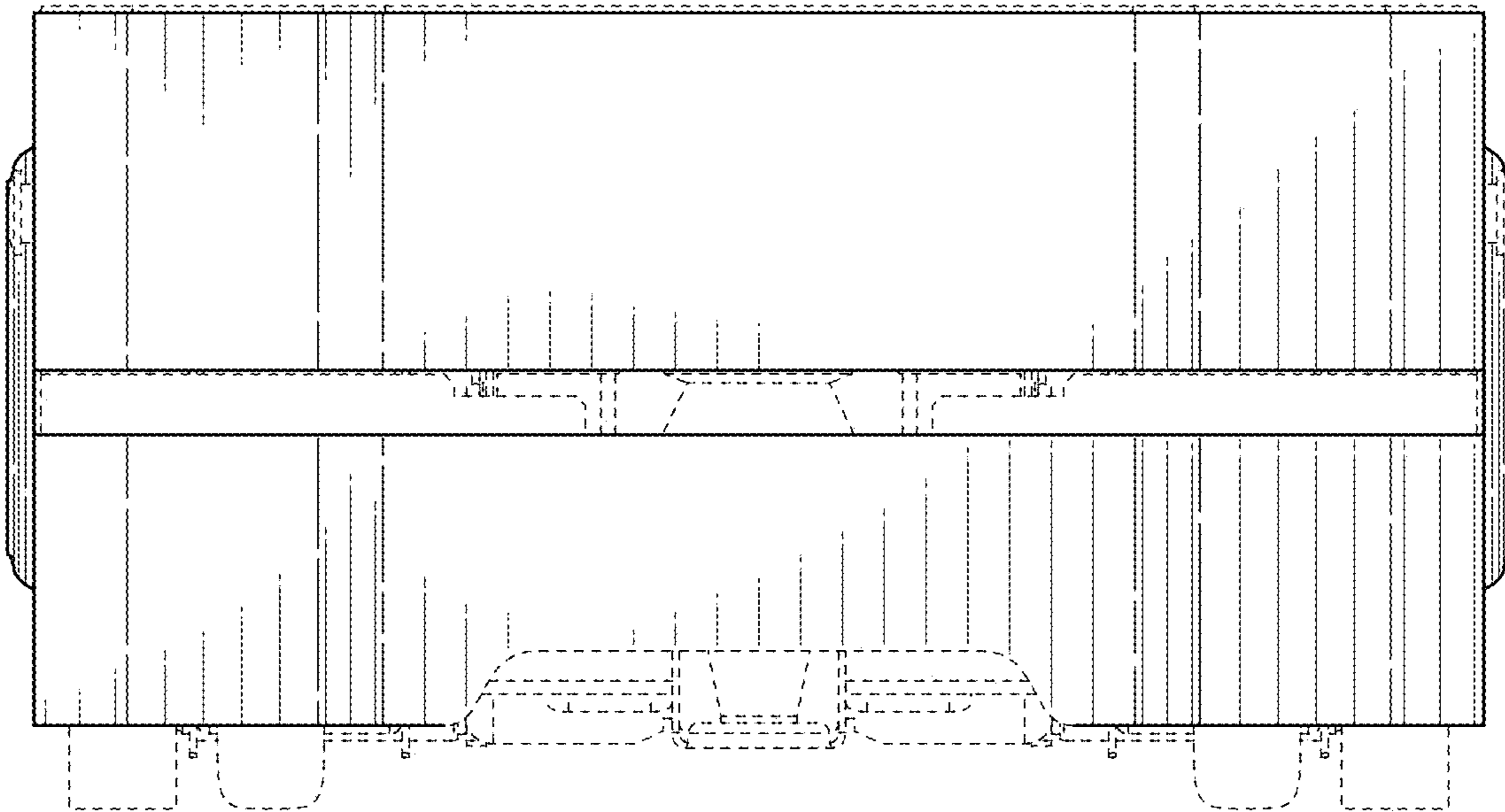


FIG. 3

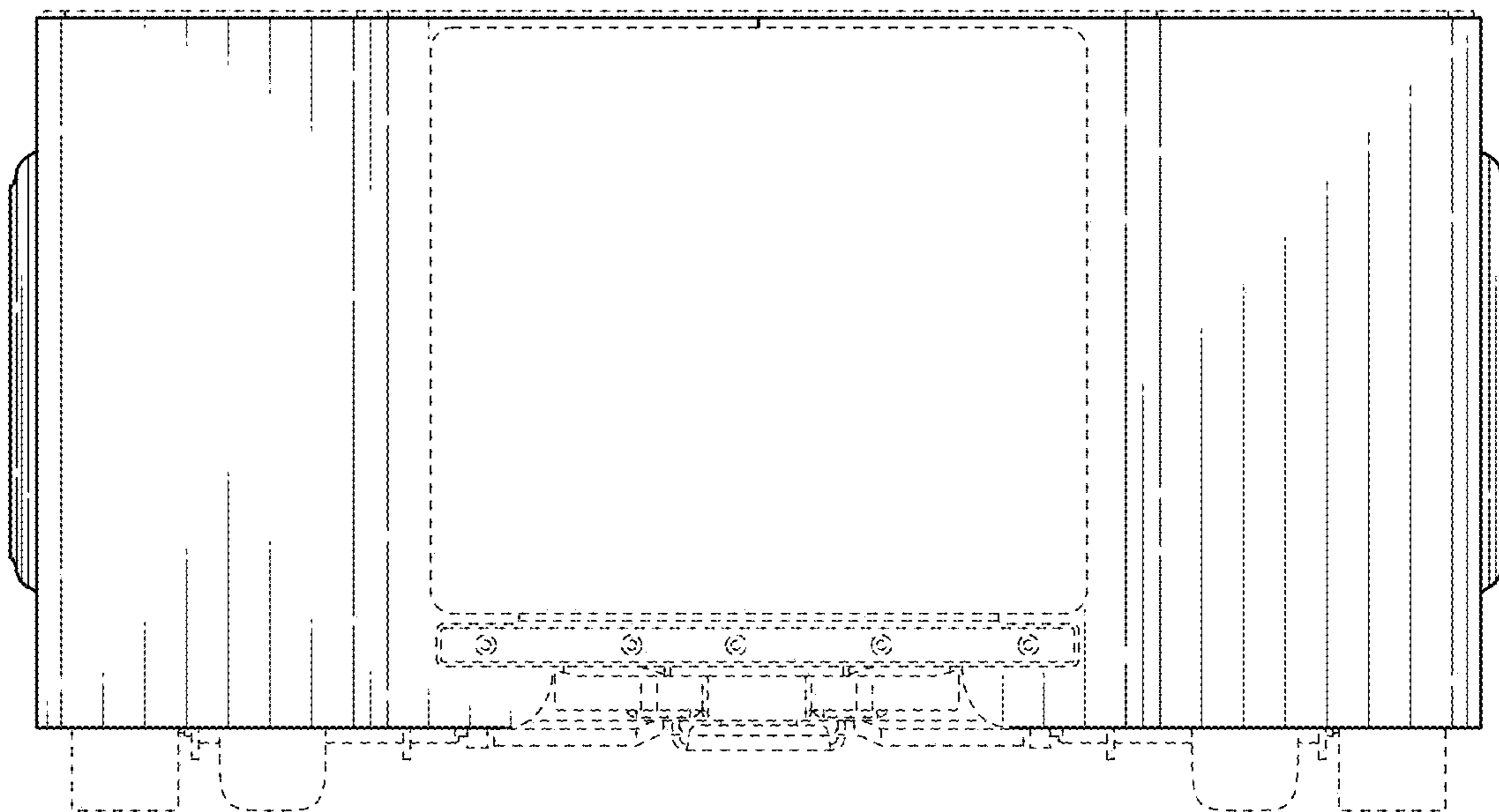


FIG. 4

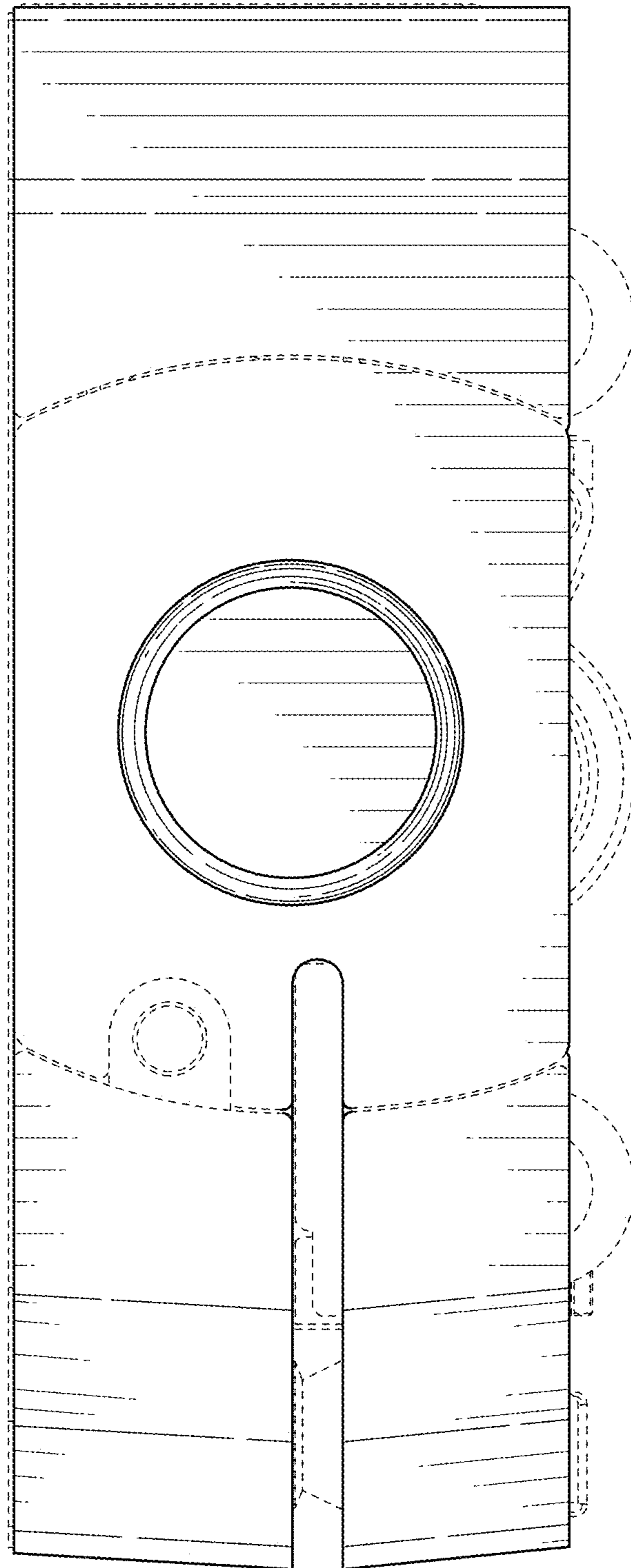


FIG. 5

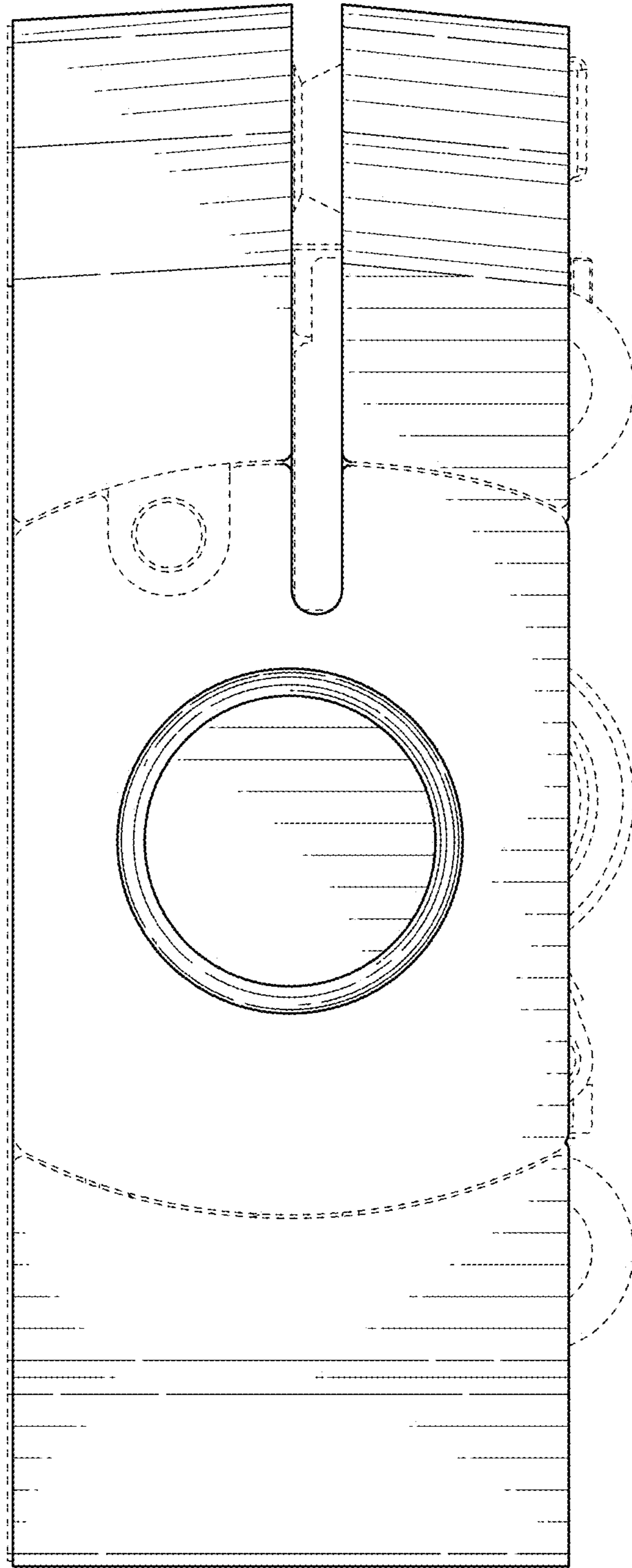


FIG. 6



FIG. 7

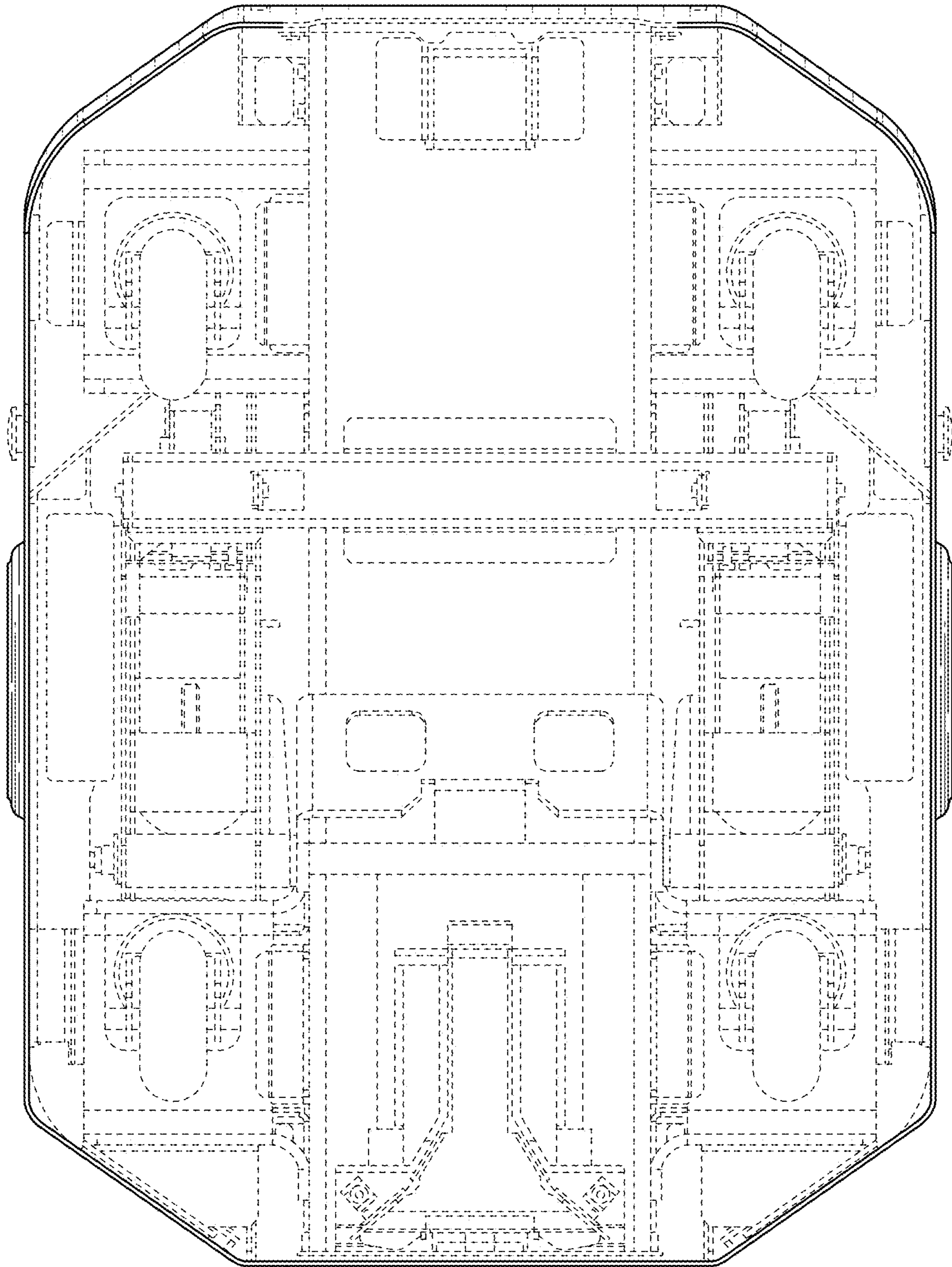


FIG. 8