

US00D965655S

(12) **United States Design Patent** (10) **Patent No.:** **US D965,655 S**  
**Klein et al.** (45) **Date of Patent:** **\*\* Oct. 4, 2022**

- (54) **WOODWORKING FEATHERBOARD**
- (71) Applicant: **Magswitch Technology Worldwide PTY LTD**, Lafayette, CO (US)
- (72) Inventors: **Andrew Klein**, Parker, CO (US); **David Long**, Golden, CO (US)
- (73) Assignee: **MAGSWITCH TECHNOLOGY WORLDWIDE PTY LTD.**, Lafayette, CO (US)
- (\*\*) Term: **15 Years**
- (21) Appl. No.: **29/715,046**
- (22) Filed: **Nov. 27, 2019**
- (51) **LOC (13) Cl.** ..... **15-09**
- (52) **U.S. Cl.**  
USPC ..... **D15/140**
- (58) **Field of Classification Search**  
USPC ..... D15/140; D8/70-72  
CPC ..... B27G 21/00; B23D 47/04; B23D 47/045  
See application file for complete search history.

(56) **References Cited**

U.S. PATENT DOCUMENTS

- 4,476,757 A \* 10/1984 Morris ..... B23D 47/04  
83/420
- 5,000,237 A \* 3/1991 Berkeley ..... B23Q 3/002  
144/251.2
- 7,299,840 B1 \* 11/2007 Moschetti ..... B23D 47/04  
144/286.1
- 7,942,174 B2 \* 5/2011 Kozina ..... B23D 47/04  
144/253.6
- D678,926 S \* 3/2013 Kozina ..... B27C 5/06  
D15/140
- 8,763,502 B2 \* 7/2014 Smith ..... B27B 25/10  
83/13
- 10,843,281 B2 \* 11/2020 Bow ..... B23Q 3/002

- 2002/0162439 A1 \* 11/2002 Fontaine ..... B27B 27/00  
83/438
- 2005/0241450 A1 \* 11/2005 Schwartz ..... B27B 29/00  
83/448
- 2008/0277024 A1 \* 11/2008 Kozina ..... B27B 25/10  
83/13
- 2010/0307302 A1 \* 12/2010 Smith ..... B27B 25/10  
83/13
- 2019/0240747 A1 \* 8/2019 Bow ..... B23D 47/045
- 2021/0154881 A1 \* 5/2021 Klein ..... B23D 47/045

OTHER PUBLICATIONS

JessEm Clear-Cut Table Saw Stock Guides; <https://www.infinitytools.com/jessem-clear-cut-tablesaw-stock-guides-5364>; available at least Nov. 20, 2019, 3 pages.

(Continued)

*Primary Examiner* — Nathaniel D. Buckner

(74) *Attorney, Agent, or Firm* — Faegre Drinker Biddle & Reath LLP

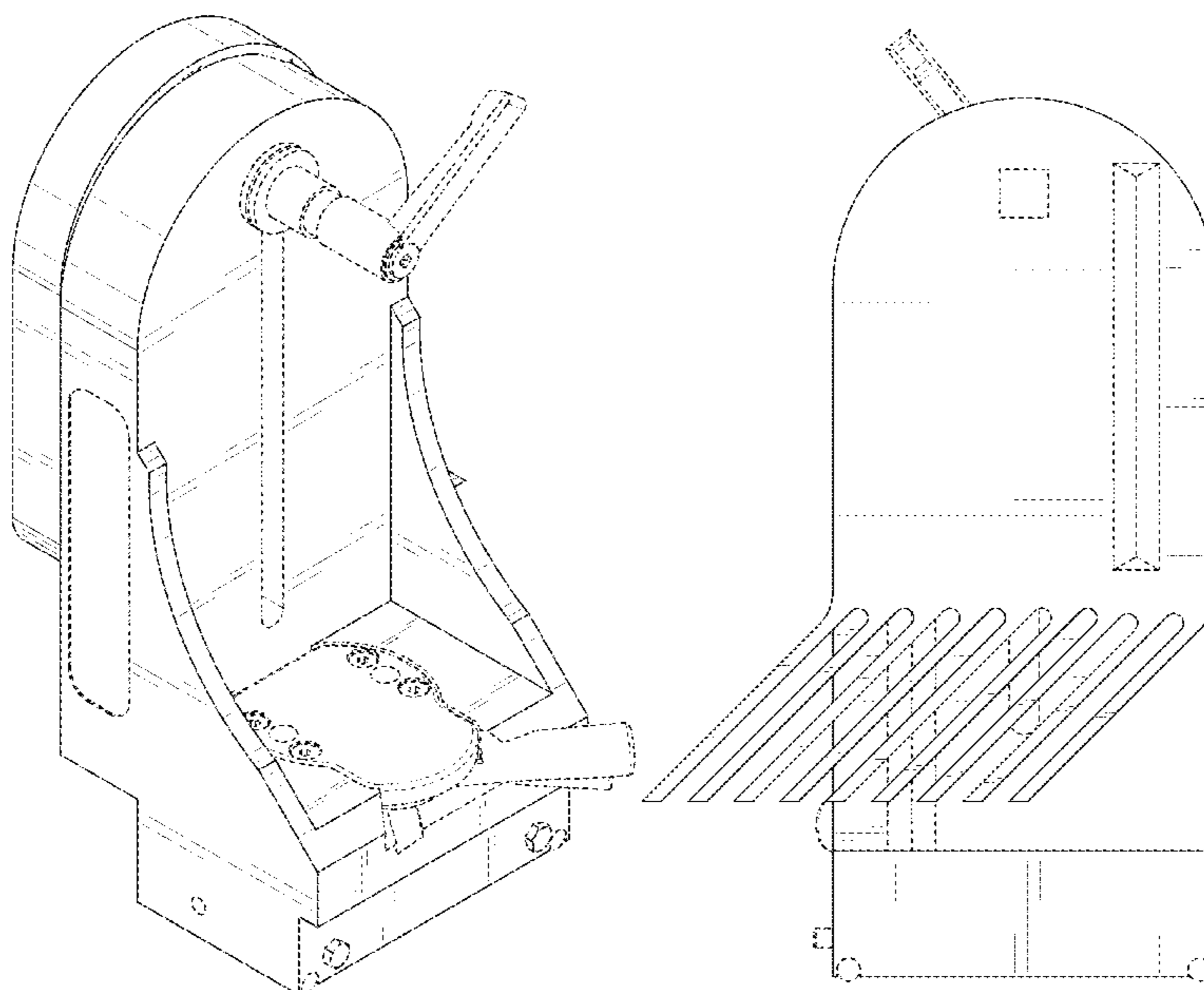
(57) **CLAIM**

The ornamental design for a woodworking featherboard, as shown and described.

**DESCRIPTION**

FIG. 1 is a front perspective view of a woodworking featherboard showing my new design in a first embodiment; FIG. 2 is a left side elevational view thereof; FIG. 3 is a right side elevational view thereof; FIG. 4 is a rear elevational view thereof; FIG. 5 is a front elevational view thereof; FIG. 6 is a top plan view thereof; and, FIG. 7 is a bottom plan view thereof. The broken lines in the drawings depict portions of the woodworking featherboard that form no part of the claimed design.

**1 Claim, 7 Drawing Sheets**



(56)

**References Cited**

## OTHER PUBLICATIONS

Magswitch MagJig mini base; <https://www.thingiverse.com/thing:2284299>; available at least Nov. 20, 2019, 4 pages.

Milescraft Feather Board for Router Tables and Table Saws; [https://www.homedepot.com/p/Milescraft-Feather-Board-for-Router-Tables-and-Table-Saws-1406/202241672?mtc=Shopping-B-F\\_D25T-G-D25T-25\\_9\\_PORTABLE\\_POWER-Multi-NA-Feed-PLA-NA-NA-PortablePower\\_PLA&cm\\_mmc=Shopping-B-F\\_D25T-G-D25T-25\\_9\\_PORTABLE\\_POWER-Multi-NA-Feed-PLA-NA-NA-PortablePower\\_PLA-7170000034127218-58700003933021540-92700053252310110&gclid=Cj0KCQjwgJv4BRCrARIsAB17JI66ZQqLpaaWnFTKAe06PIrBn0NmlYdC5\\_wSUIFmMqTDh2o\\_nTEXyT0aAtKGEALw\\_wcB&gclsrc=aw.ds](https://www.homedepot.com/p/Milescraft-Feather-Board-for-Router-Tables-and-Table-Saws-1406/202241672?mtc=Shopping-B-F_D25T-G-D25T-25_9_PORTABLE_POWER-Multi-NA-Feed-PLA-NA-NA-PortablePower_PLA&cm_mmc=Shopping-B-F_D25T-G-D25T-25_9_PORTABLE_POWER-Multi-NA-Feed-PLA-NA-NA-PortablePower_PLA-7170000034127218-58700003933021540-92700053252310110&gclid=Cj0KCQjwgJv4BRCrARIsAB17JI66ZQqLpaaWnFTKAe06PIrBn0NmlYdC5_wSUIFmMqTDh2o_nTEXyT0aAtKGEALw_wcB&gclsrc=aw.ds); available at least Nov. 26, 2019, 9 pages.

Powertec Dual Universal Featherboards; [https://www.homedepot.com/p/POWERTEC-Dual-Universal-Featherboards-for-Multi-Functional-Woodworking-with-Flex-and-Miter-Lock-System-1-Pack-](https://www.homedepot.com/p/POWERTEC-Dual-Universal-Featherboards-for-Multi-Functional-Woodworking-with-Flex-and-Miter-Lock-System-1-Pack-71468/313524190?mtc=Shopping-B-F_D25T-G-D25T-25_9_PORTABLE_POWER-Multi-NA-Feed-PLA-NA-NA-PortablePower_PLA&cm_mmc=Shopping-B-F_D25T-G-D25T-25_9_PORTABLE_POWER-Multi-NA-Feed-PLA-NA-NA-PortablePower_PLA-7170000034127218-58700003933021540-92700053252310110&gclid=Cj0KCQjwgJv4BRCrARIsAB17JI61Ko6CDKf5ekb6ZYIsctLPSD2adpZS9jHWe8JlxOx7bFvHQypqtAEaAuIVEALw_wcB&gclsrc=aw.ds)

71468/313524190?mtc=Shopping-B-F\_D25T-G-D25T-25\_9\_PORTABLE\_POWER-Multi-NA-Feed-PLA-NA-NA-PortablePower\_PLA&cm\_mmc=Shopping-B-F\_D25T-G-D25T-25\_9\_PORTABLE\_POWER-Multi-NA-Feed-PLA-NA-NA-PortablePower\_PLA-7170000034127218-58700003933021540-92700053252310110&gclid=Cj0KCQjwgJv4BRCrARIsAB17JI61Ko6CDKf5ekb6ZYIsctLPSD2adpZS9jHWe8JlxOx7bFvHQypqtAEaAuIVEALw\_wcB&gclsrc=aw.ds; available at least Nov. 26, 2019, 6 pages.

Kreg True-FLEX Feather Board; [https://www.homedepot.com/p/Kreg-True-FLEX-Feather-Board-2-Pack-PRS3020/203984799?mtc=Shopping-B-F\\_D25T-G-D25T-25\\_9\\_PORTABLE\\_POWER-Multi-NA-Feed-PLA-NA-NA-PortablePower\\_PLA&cm\\_mmc=Shopping-B-F\\_D25T-G-D25T-25\\_9\\_PORTABLE\\_POWER-Multi-NA-Feed-PLA-NA-NA-PortablePower\\_PLA-7170000034127218-58700003933021540-92700053252310110&gclid=Cj0KCQjwgJv4BRCrARIsAB17JI5nOdRplyhvxxp9QyF7F5LyNN048xVPX7vI6Fe3iX5kYdeoAD2LELoaArMMEALw\\_wcB&gclsrc=aw.ds](https://www.homedepot.com/p/Kreg-True-FLEX-Feather-Board-2-Pack-PRS3020/203984799?mtc=Shopping-B-F_D25T-G-D25T-25_9_PORTABLE_POWER-Multi-NA-Feed-PLA-NA-NA-PortablePower_PLA&cm_mmc=Shopping-B-F_D25T-G-D25T-25_9_PORTABLE_POWER-Multi-NA-Feed-PLA-NA-NA-PortablePower_PLA-7170000034127218-58700003933021540-92700053252310110&gclid=Cj0KCQjwgJv4BRCrARIsAB17JI5nOdRplyhvxxp9QyF7F5LyNN048xVPX7vI6Fe3iX5kYdeoAD2LELoaArMMEALw_wcB&gclsrc=aw.ds); available at least Nov. 26, 2019, 10 pages.

\* cited by examiner

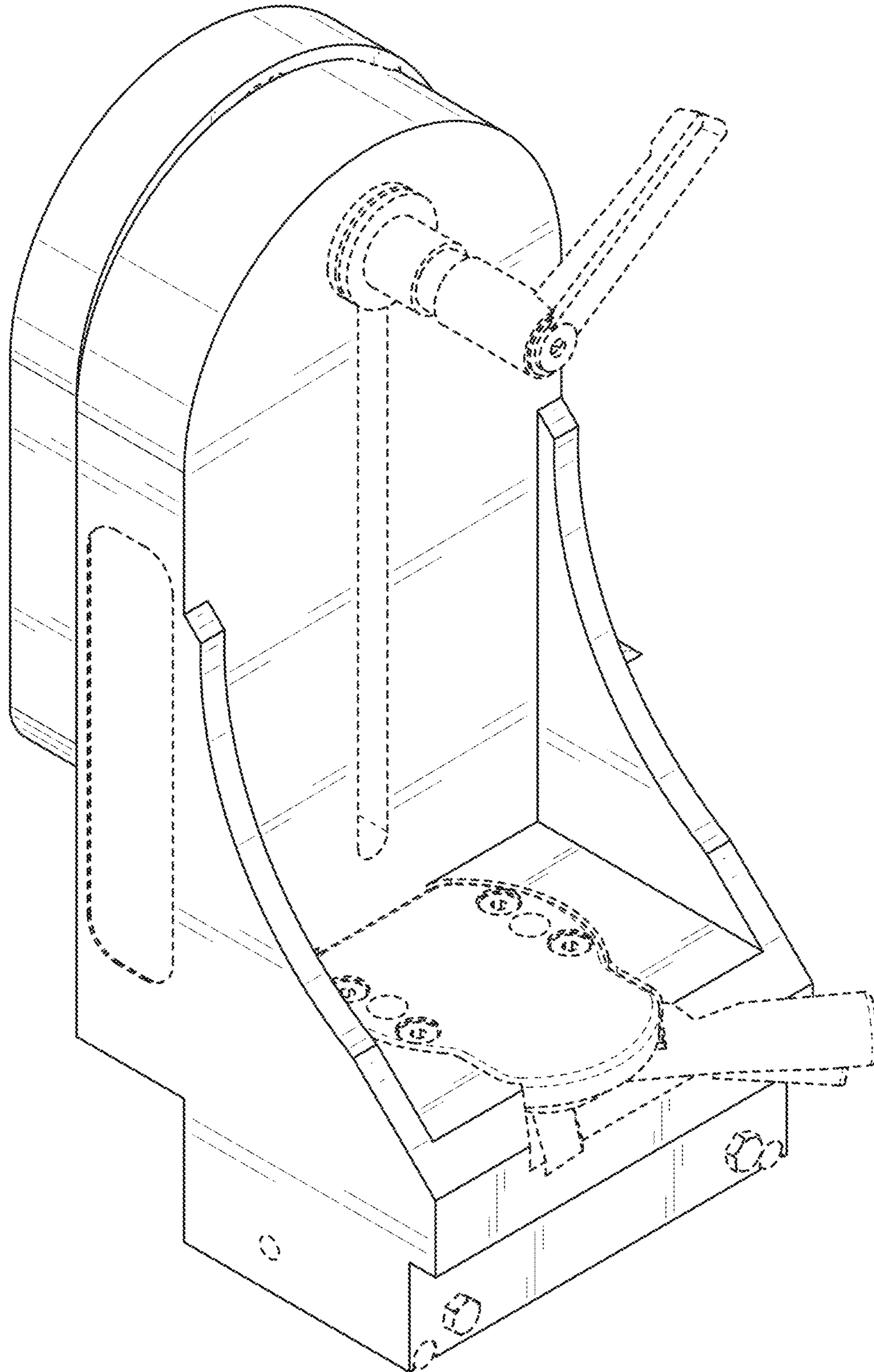


FIG. 1

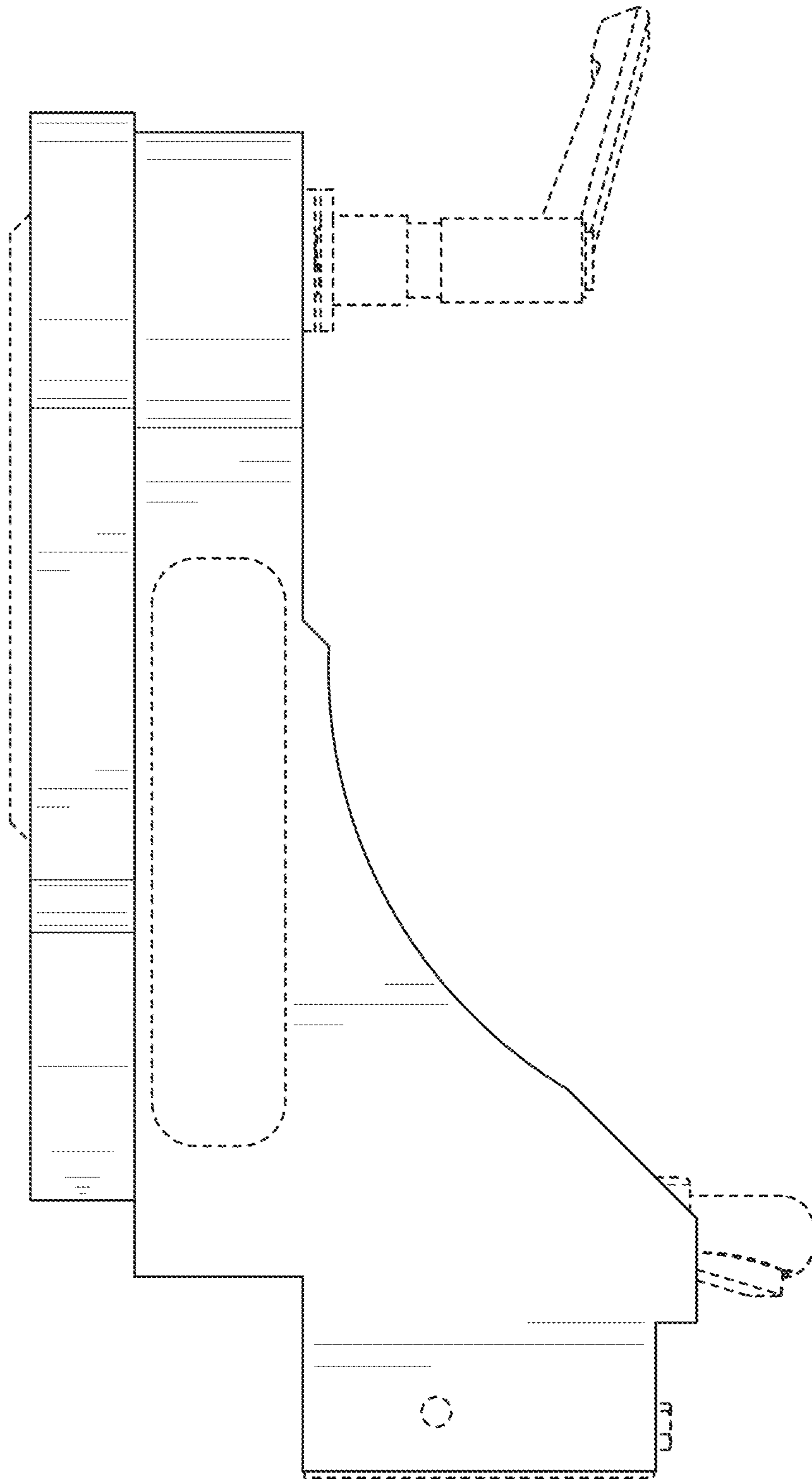


FIG. 2



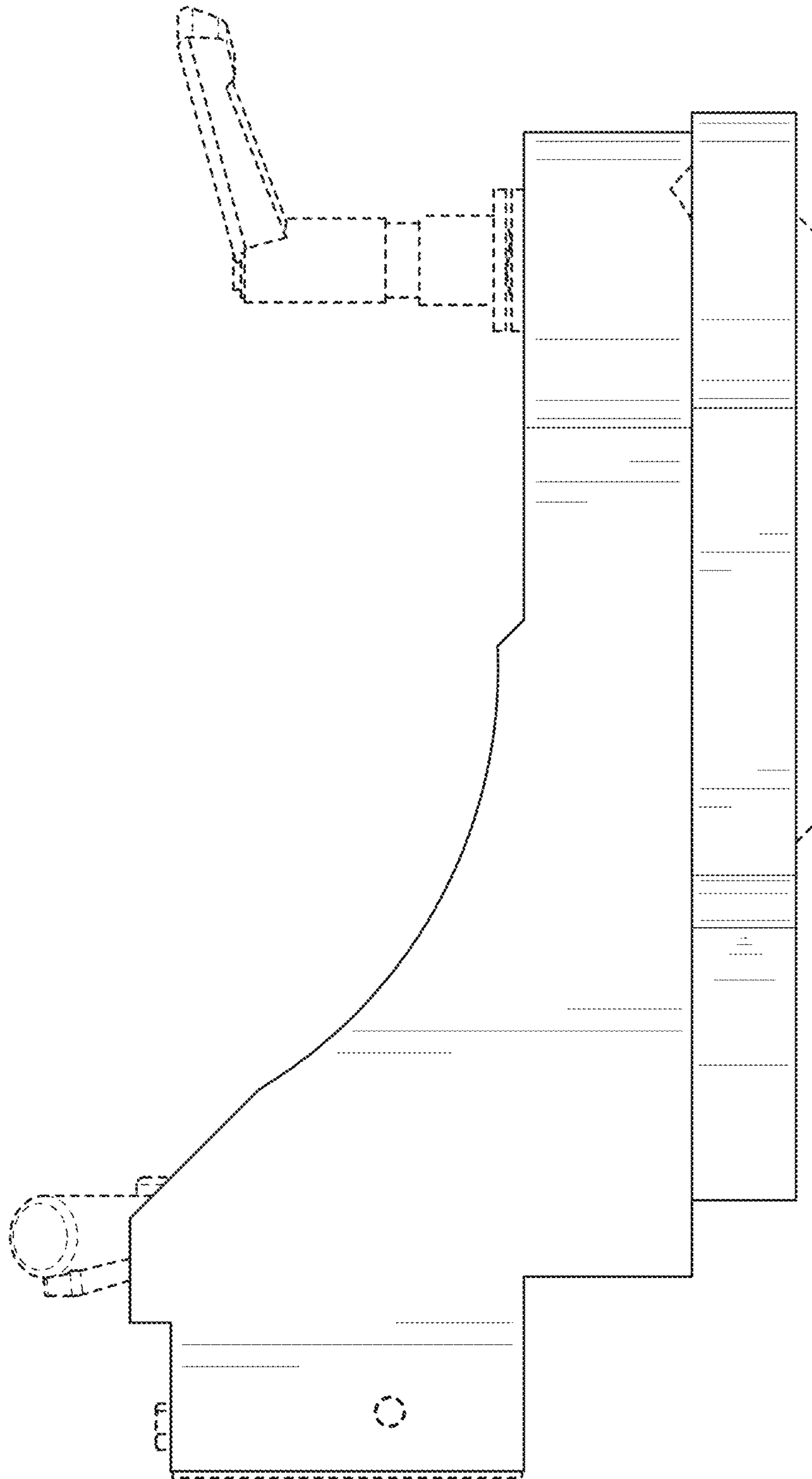


FIG. 3

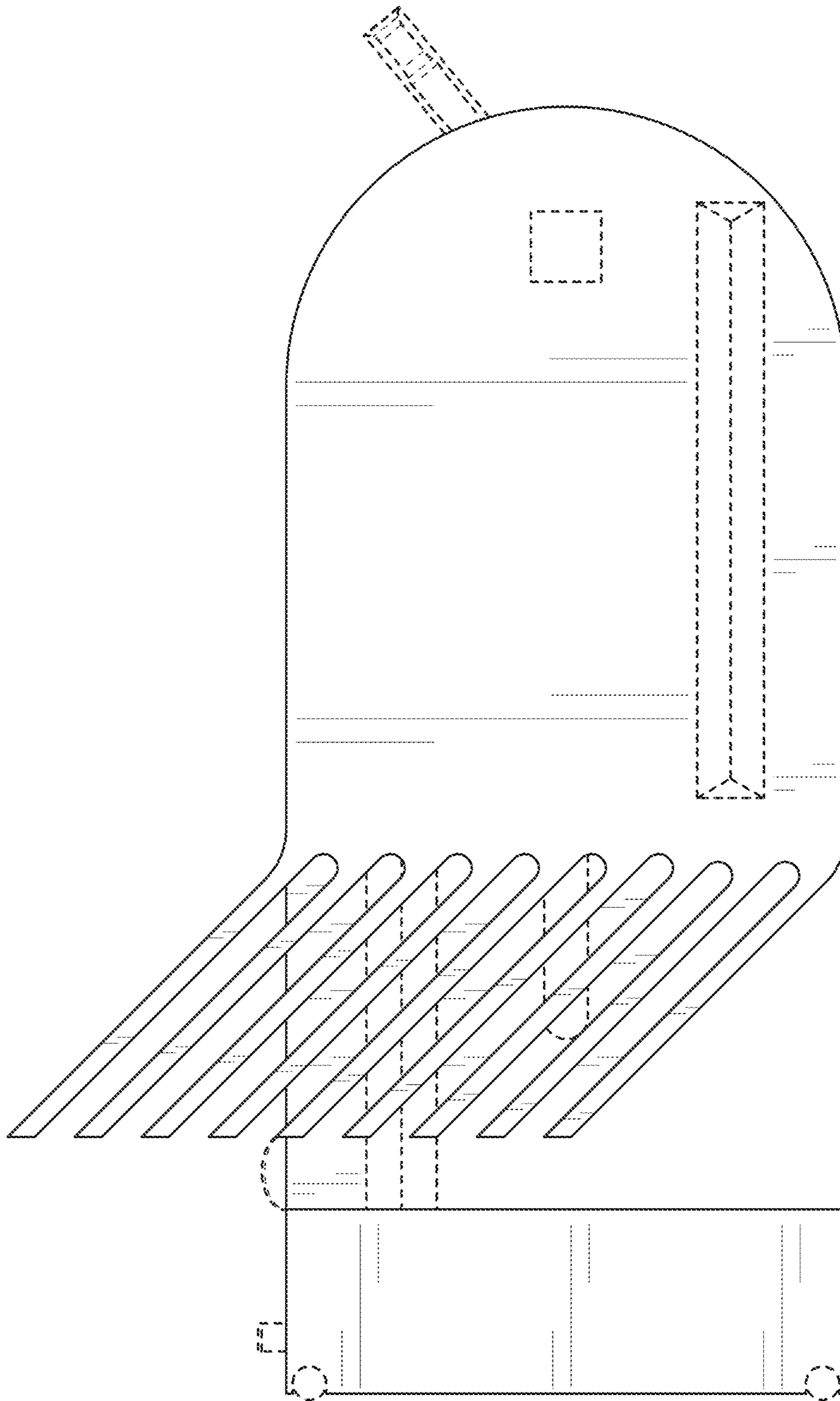


FIG. 4

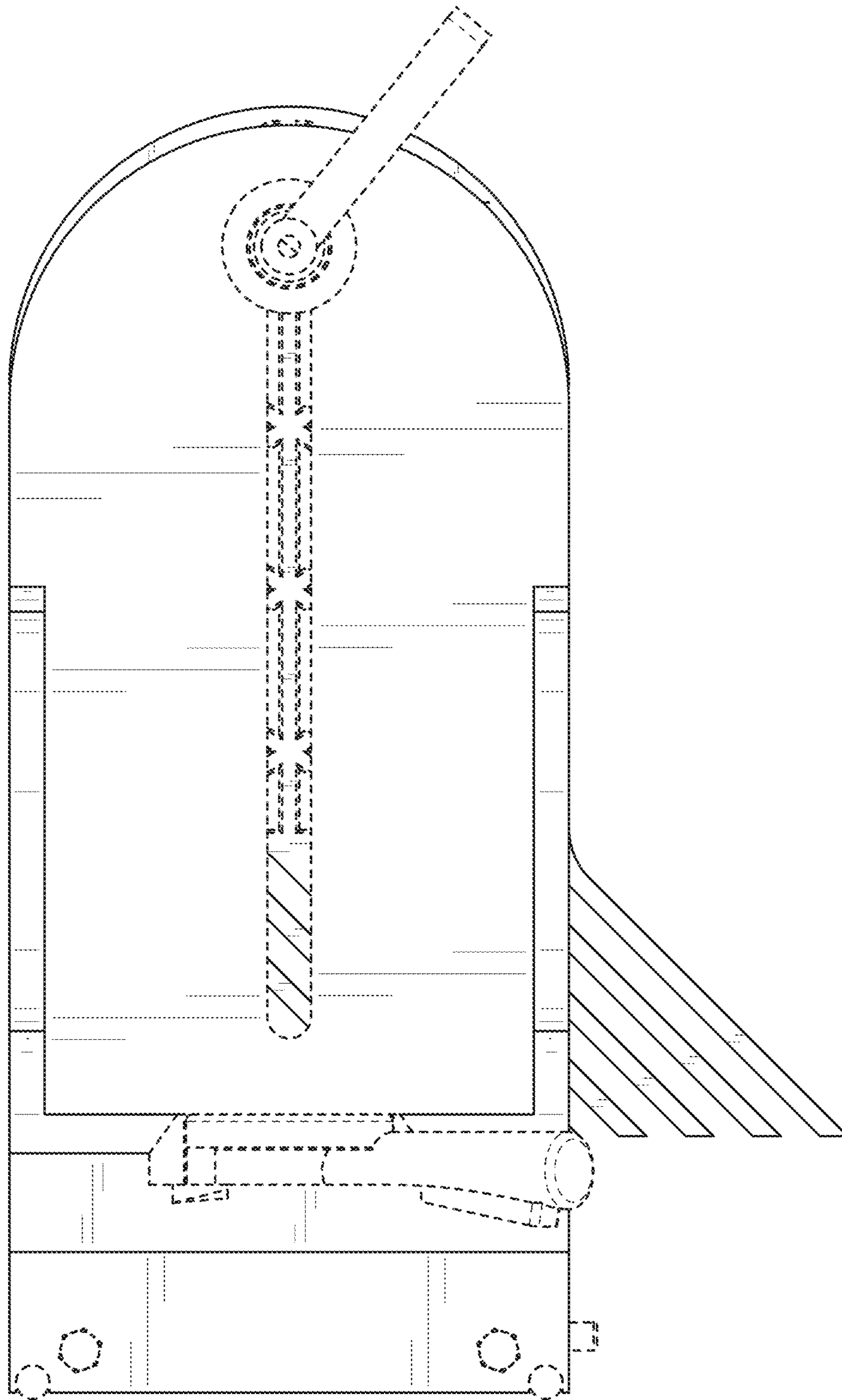


FIG. 5

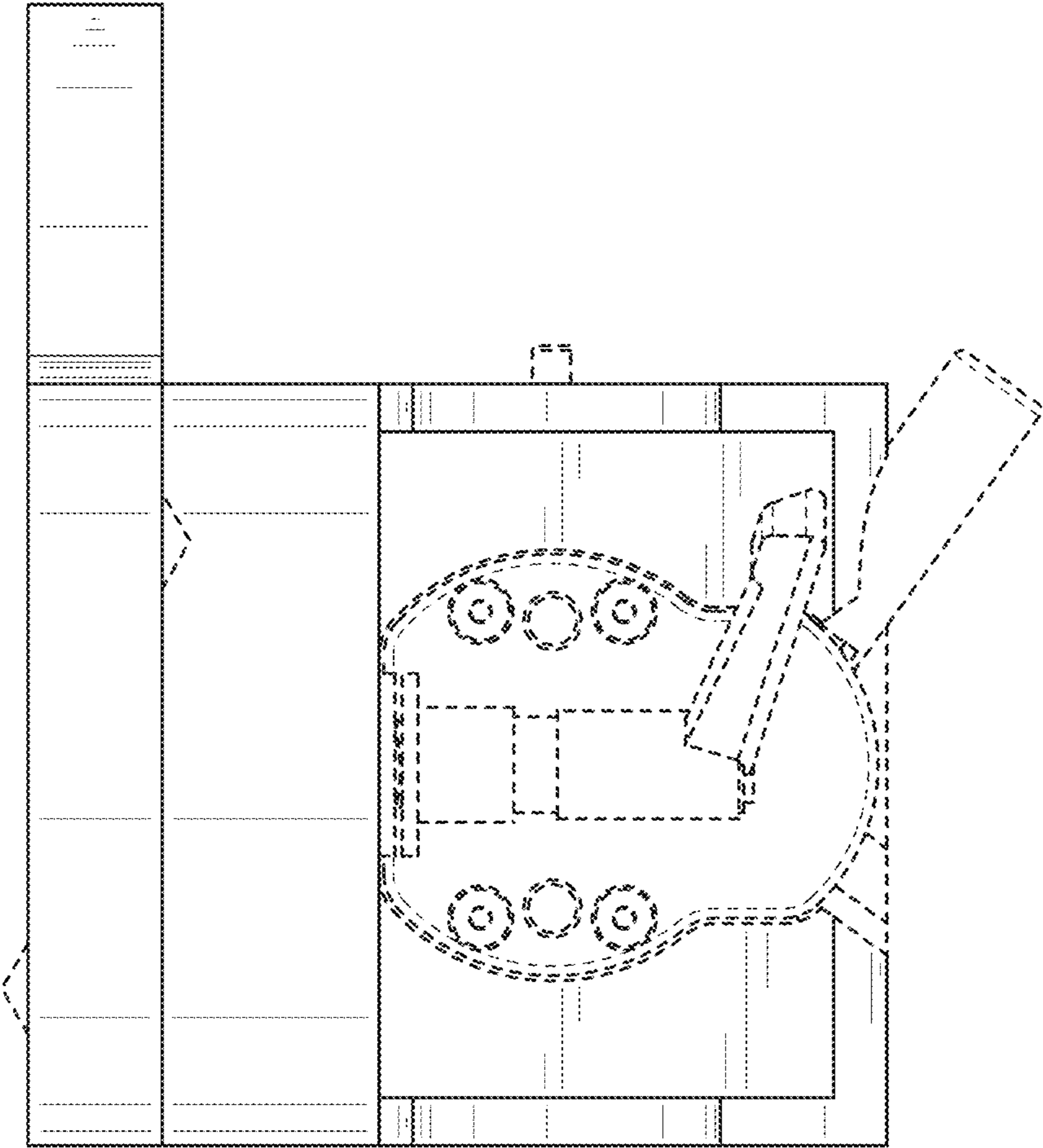


FIG. 6



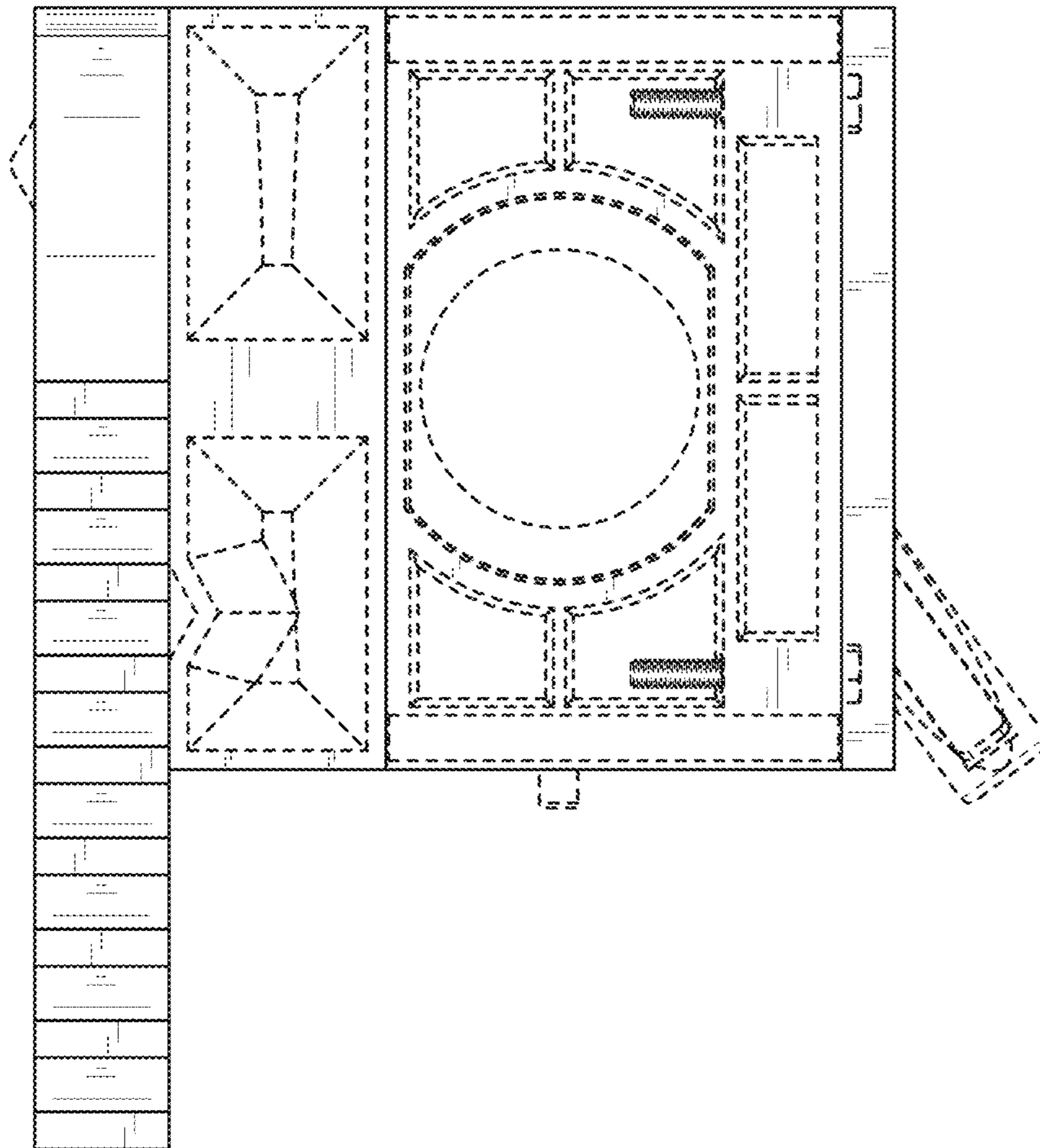


FIG. 7