



US00D965654S

(12) **United States Design Patent** (10) **Patent No.:** **US D965,654 S**  
**Zeiner** (45) **Date of Patent:** **\*\* Oct. 4, 2022**

(54) **CUTTING TOOL**

(56) **References Cited**

(71) Applicant: **SUMITOMO ELECTRIC HARDMETAL CORP.**, Itami (JP)

U.S. PATENT DOCUMENTS

(72) Inventor: **Christoph Zeiner**, Willich (DE)

1,746,716 A	2/1930	Sasse	
3,518,737 A	7/1970	Hood	
D220,920 S *	6/1971	Cochran	D15/139
4,340,325 A *	7/1982	Gowanlock	B23B 27/045 D15/139
D278,716 S *	5/1985	Pano	D15/139
D284,011 S *	5/1986	Pano	D15/139
5,184,925 A	2/1993	Woods et al.	
D365,112 S *	12/1995	Wiman	D15/139
D470,516 S *	2/2003	Andersson	D15/139
D477,003 S *	7/2003	Muren	D15/139
D481,047 S *	10/2003	Brockett	D15/139

(73) Assignee: **SUMITOMO ELECTRIC HARDMETAL CORP.**, Itami (JP)

(\*\*) Term: **15 Years**

(21) Appl. No.: **29/827,108**

(22) Filed: **Feb. 17, 2022**

(Continued)

*Primary Examiner* — Patricia A Palasik

(74) *Attorney, Agent, or Firm* — Faegre Drinker Riddle & Reath LLP

**Related U.S. Application Data**

(62) Division of application No. 29/762,416, filed on Dec. 16, 2020.

(57) **CLAIM**

The ornamental design for a cutting tool, as shown and described.

(30) **Foreign Application Priority Data**

Jun. 25, 2020	(JP)	2020-012813 D
Jun. 25, 2020	(JP)	2020-012814 D
Jun. 25, 2020	(JP)	2020-012815 D
Jun. 25, 2020	(JP)	2020-012816 D

**DESCRIPTION**

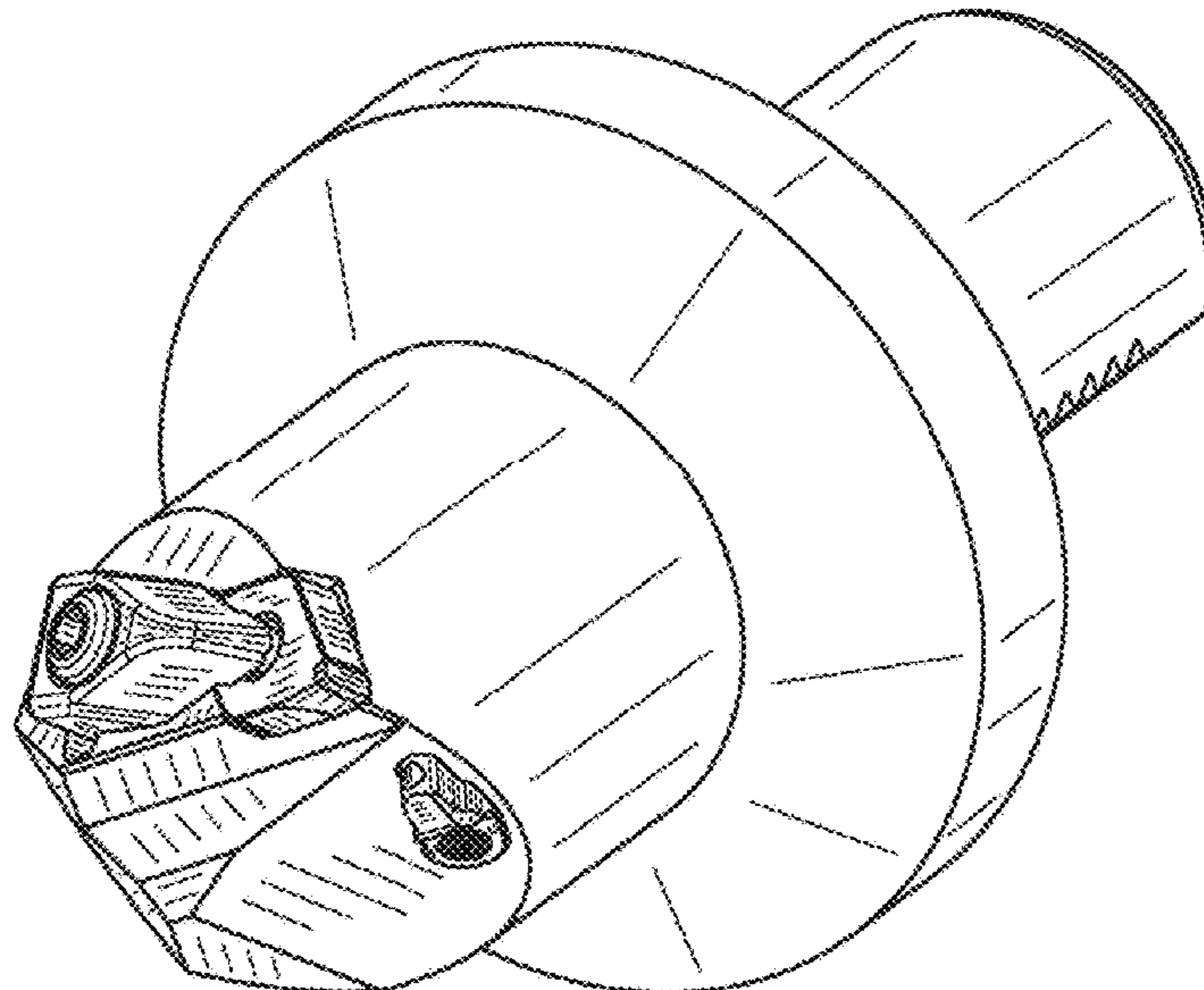
FIG. 1 is a front view of a cutting tool in accordance with an embodiment of the present design;  
FIG. 2 is a rear view thereof;  
FIG. 3 is a right side view thereof;  
FIG. 4 is a left side view thereof;  
FIG. 5 is a top view thereof;  
FIG. 6 is a bottom view thereof;  
FIG. 7 is a first perspective view thereof;  
FIG. 8 is a second perspective view thereof;  
FIG. 9 is a third perspective view thereof;  
FIG. 10 is a fourth perspective view thereof;  
FIG. 11 is a fifth perspective view thereof;  
FIG. 12 is a sixth perspective view thereof; and,  
FIG. 13 is a referential view showing the state in use thereof.  
The broken lines shown in the drawings represent portions of the cutting tool that form no part of the claimed design.

(51) **LOC (13) Cl.** ..... **15-09**

(52) **U.S. Cl.**  
USPC ..... **D15/139**

(58) **Field of Classification Search**  
USPC ..... D8/20, 70; D15/126, 131, 138, 139, 140  
CPC ..... B23B 27/145; B23B 27/1622; B23B 2200/048; B23B 2200/204; B23B 2200/085; B23B 2200/0416; B23B 2200/0423; B23B 2200/0477; B23B 2200/0494; B23C 5/205; B23C 5/207  
See application file for complete search history.

**1 Claim, 7 Drawing Sheets**



(56)

References Cited

U.S. PATENT DOCUMENTS

D527,400	S	*	8/2006	Konet .....	D15/139
D535,312	S	*	1/2007	Simpson, III .....	D15/139
D550,730	S	*	9/2007	Nicholas .....	D15/140
D595,750	S	*	7/2009	Ericksson .....	D15/139
D595,751	S		7/2009	Sakata et al.	
D607,025	S	*	12/2009	Niemi .....	D15/139
D688,716	S	*	8/2013	Lampe .....	D15/139
D700,639	S	*	3/2014	Choi .....	D15/139
D700,640	S	*	3/2014	Choi .....	D15/139
D718,357	S	*	11/2014	Park .....	D15/139
D805,564	S	*	12/2017	Lee .....	B23C 5/00 D15/139
D805,566	S	*	12/2017	Oh .....	B25C 5/06 D15/139
D823,089	S		7/2018	Shikama	
D838,755	S		1/2019	Takahashi	
D844,684	S		4/2019	Ojanen	
D845,360	S	*	4/2019	Kobayashi .....	D15/139
D847,883	S	*	5/2019	Kobayashi .....	D15/139
D898,085	S	*	10/2020	Kim .....	B23C 5/202 D15/139
D900,893	S		11/2020	English	
D908,752	S	*	1/2021	Nagafuchi .....	B23B 27/145 D15/139
D922,460	S		6/2021	Park et al.	
D924,950	S		7/2021	Wen et al.	
D936,713	S	*	11/2021	Endoh .....	D15/139
2003/0077134	A1		4/2003	Moser et al.	
2013/0051940	A1		2/2013	Hobohm et al.	

\* cited by examiner

FIG. 1

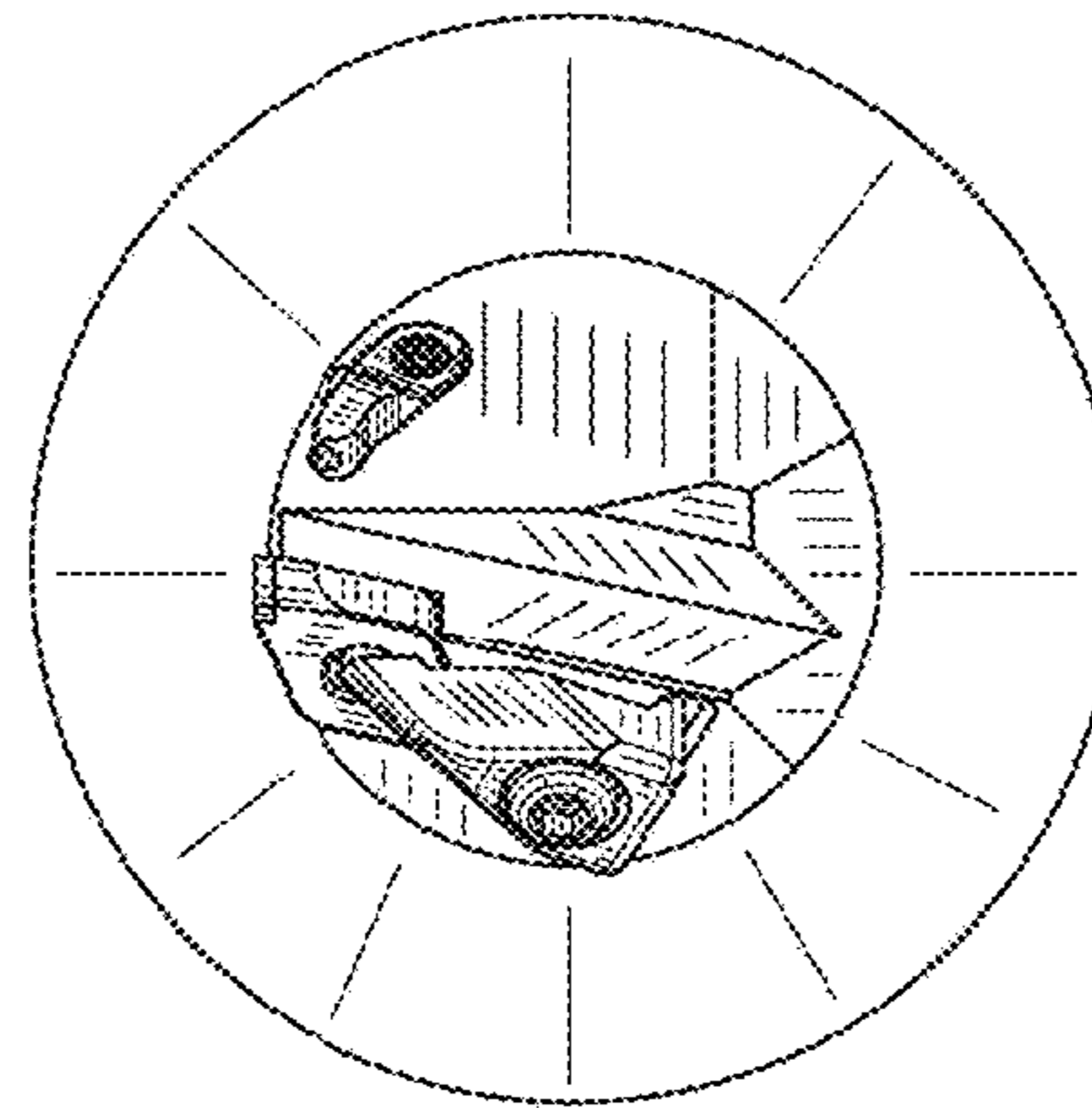


FIG. 2

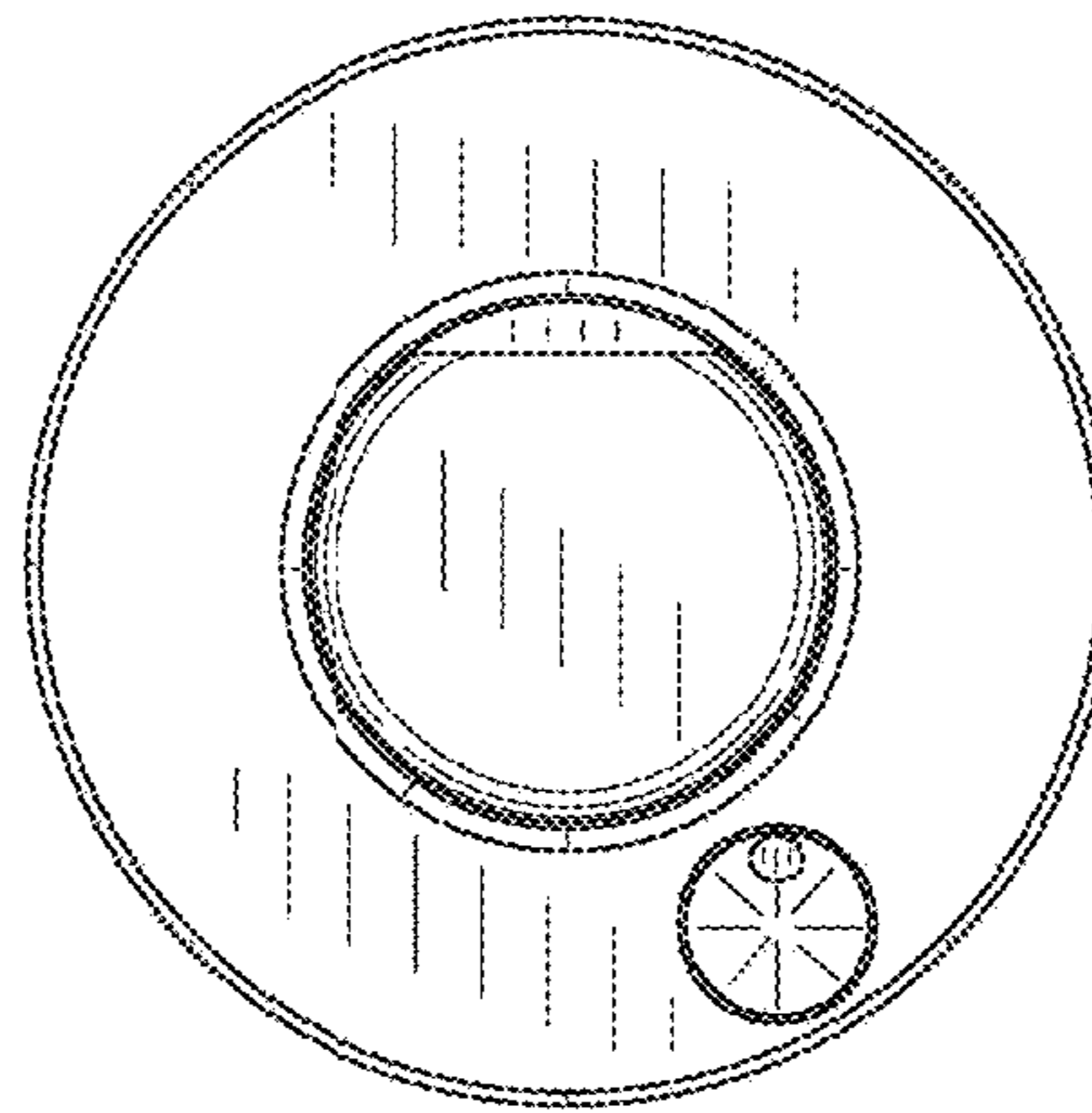


FIG. 3

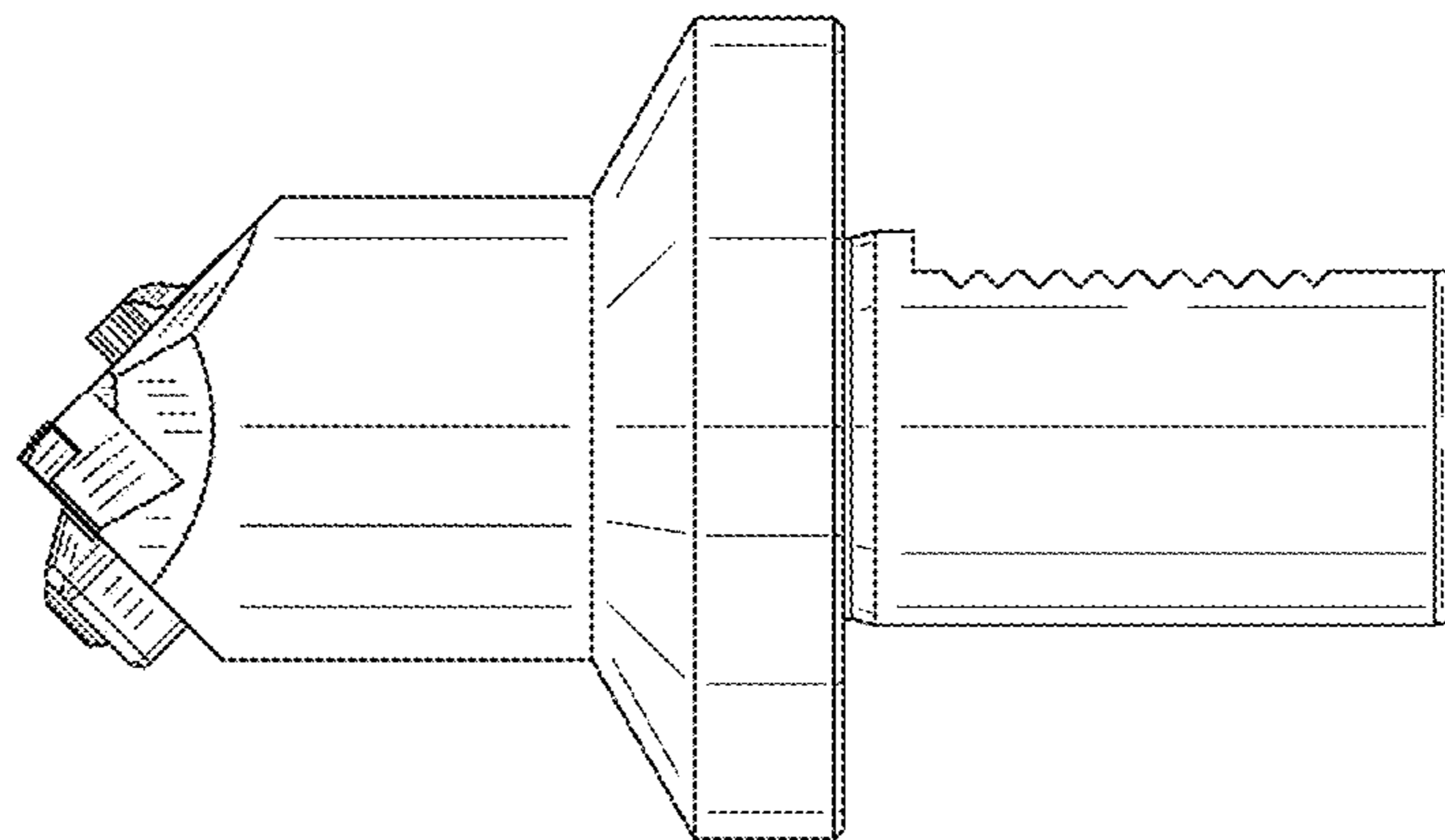


FIG. 4

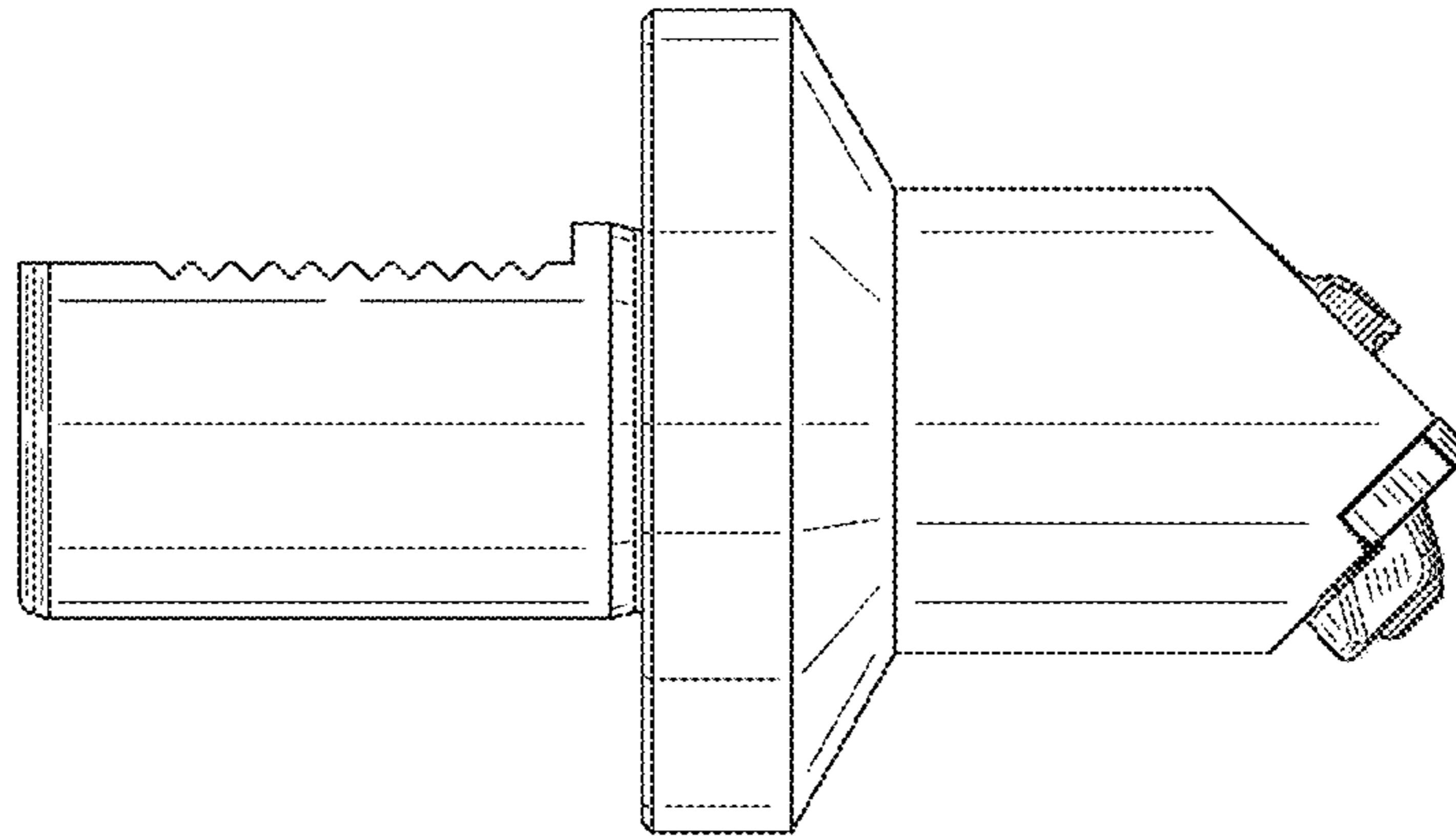


FIG. 5

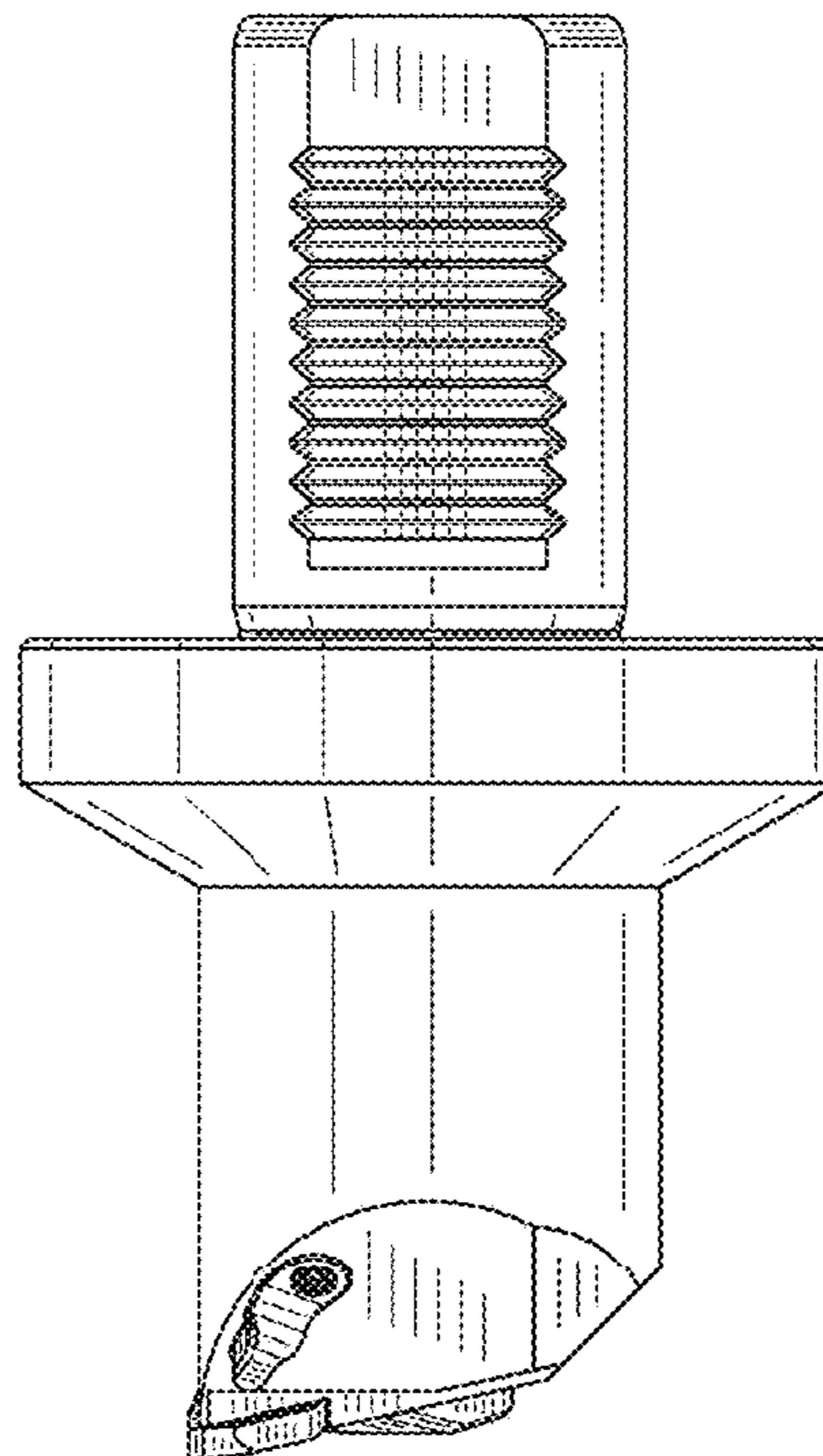


FIG. 6

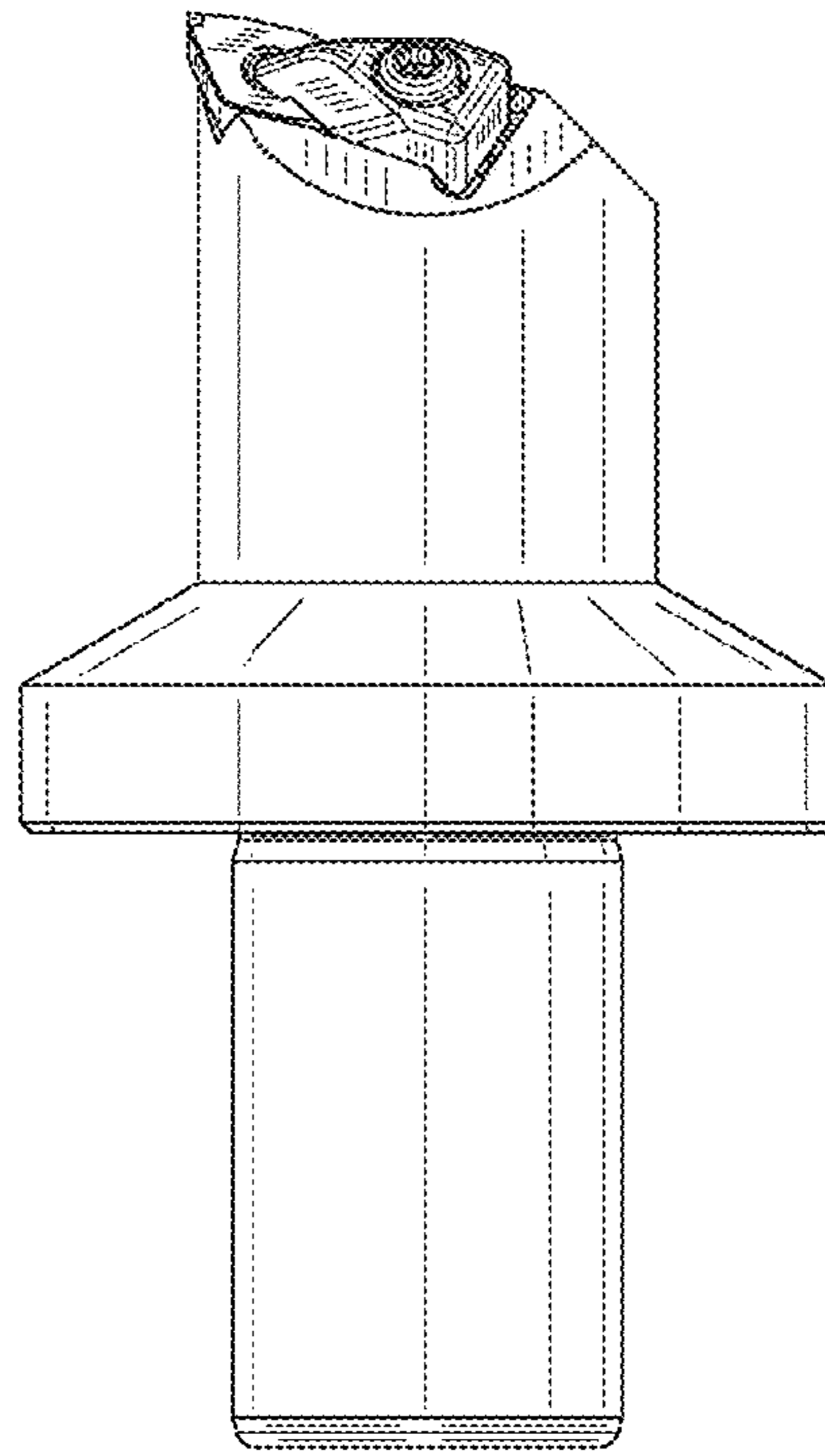


FIG. 7

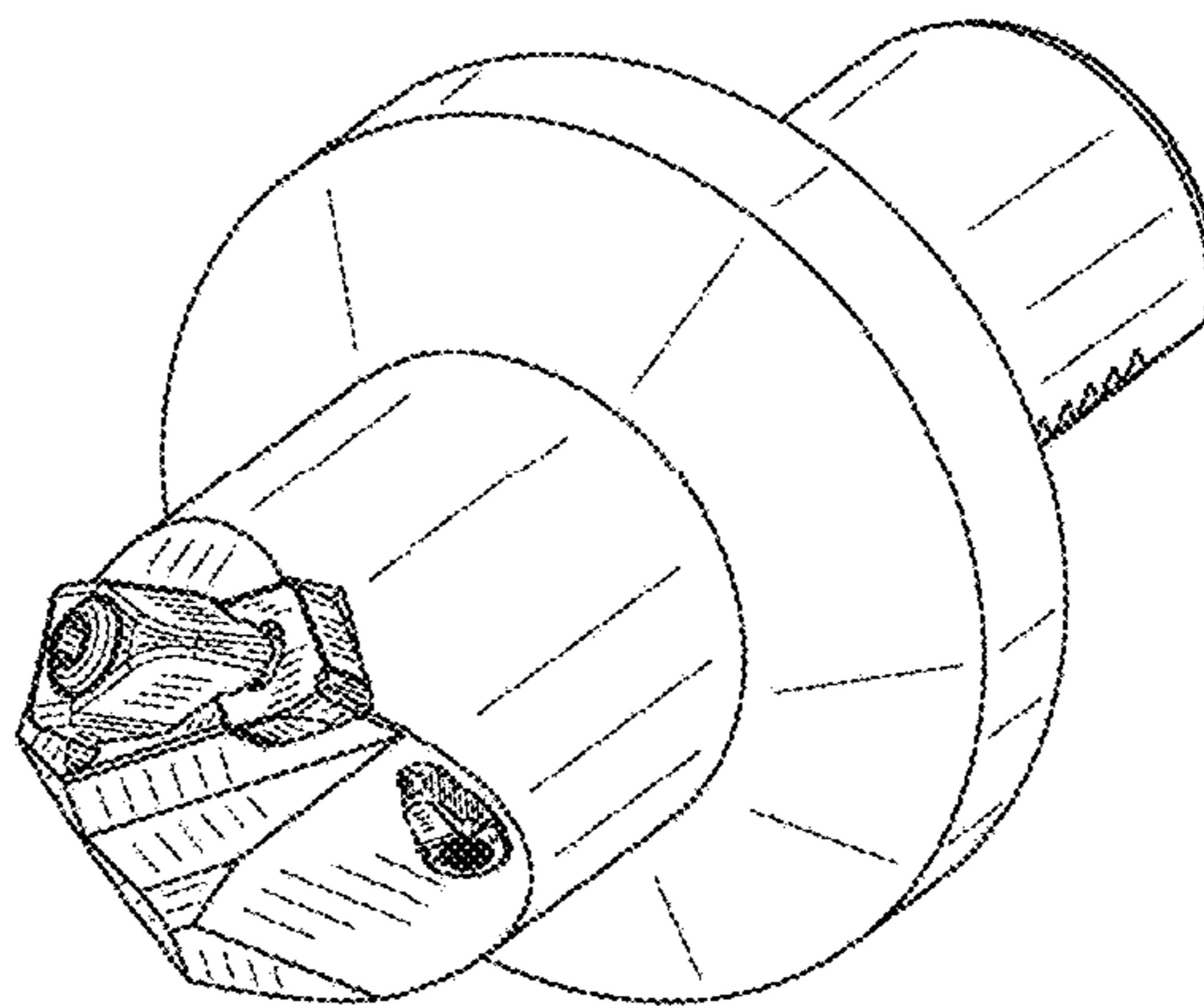


FIG. 8

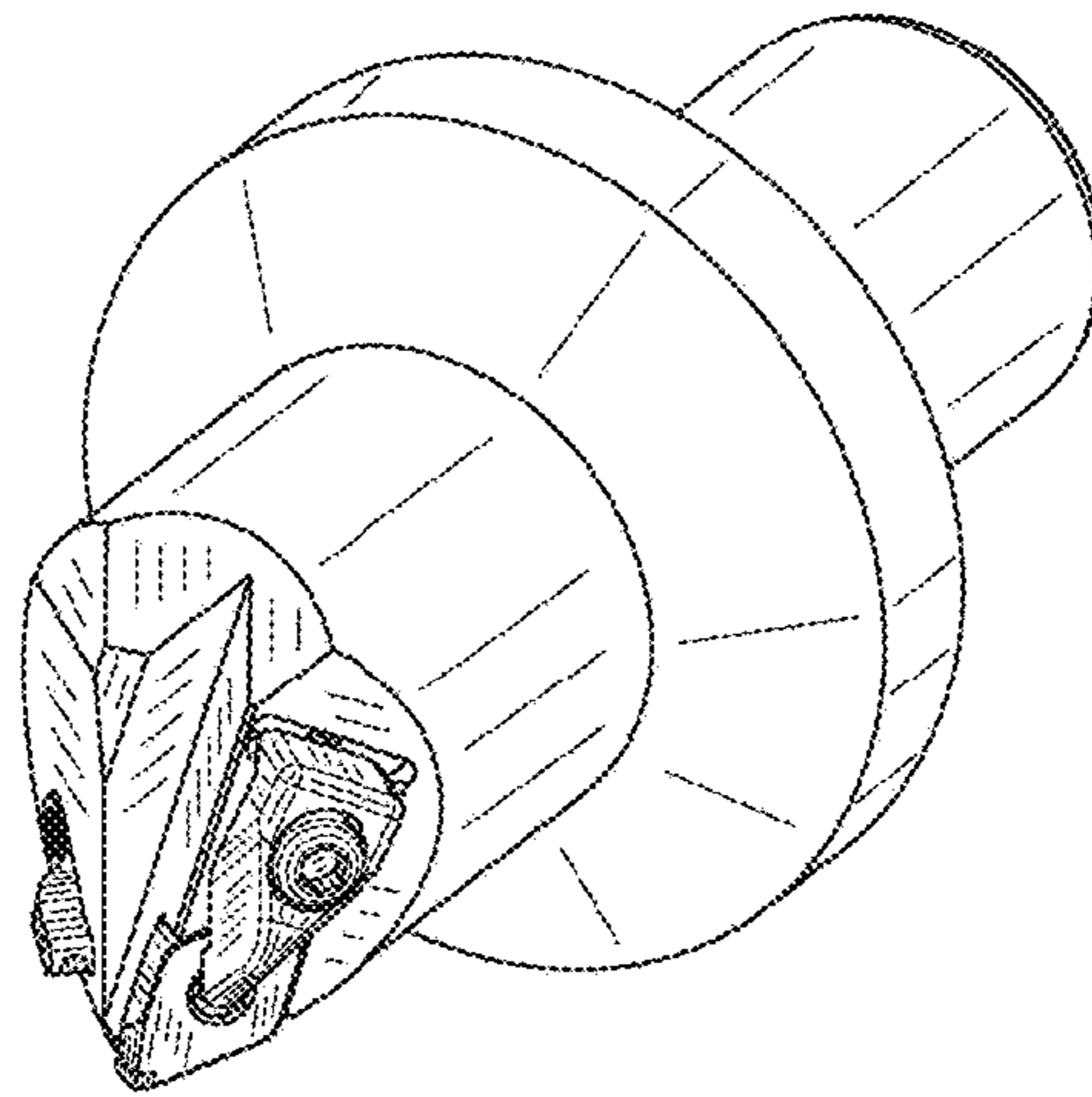


FIG. 9

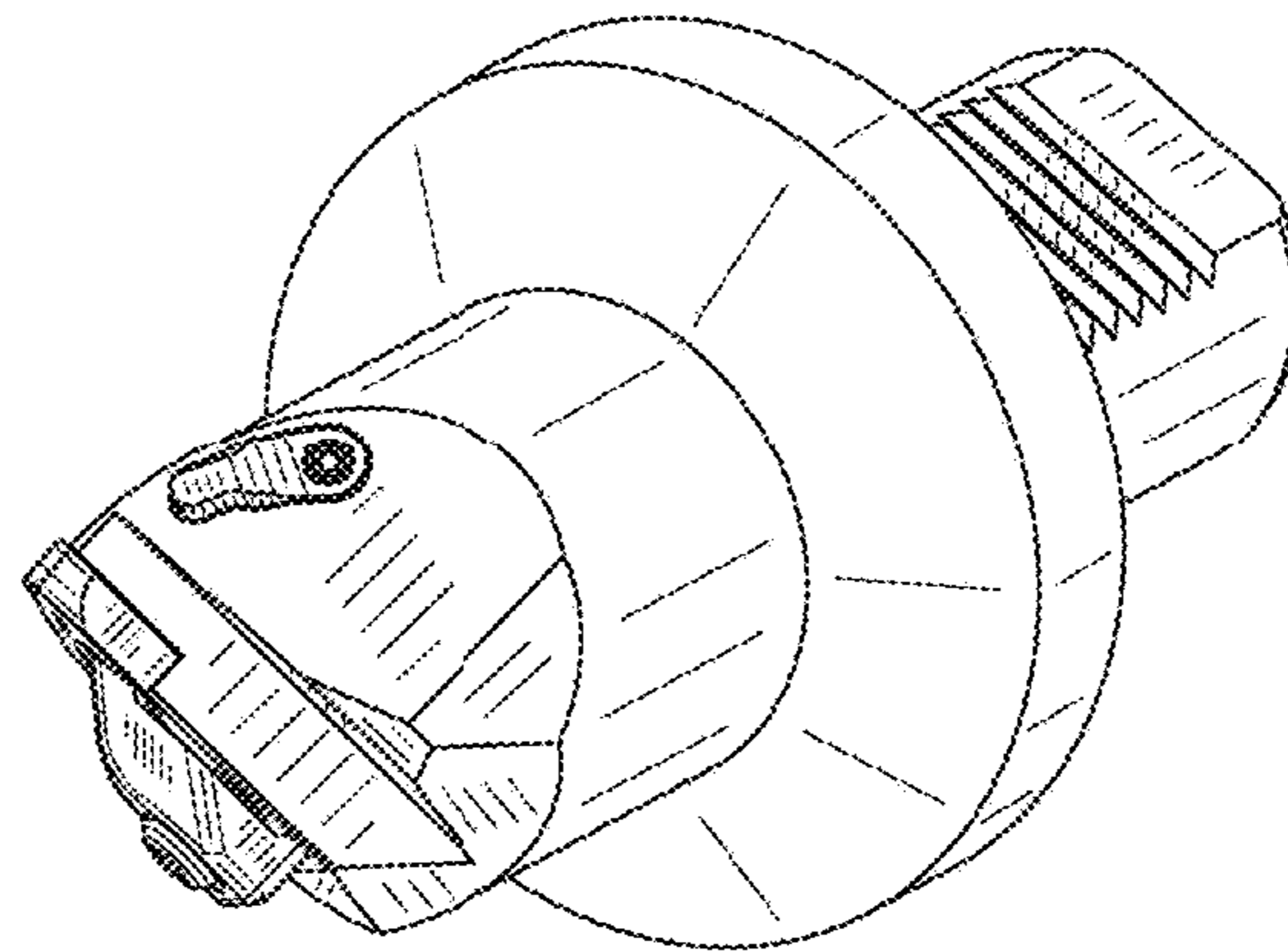


FIG. 10

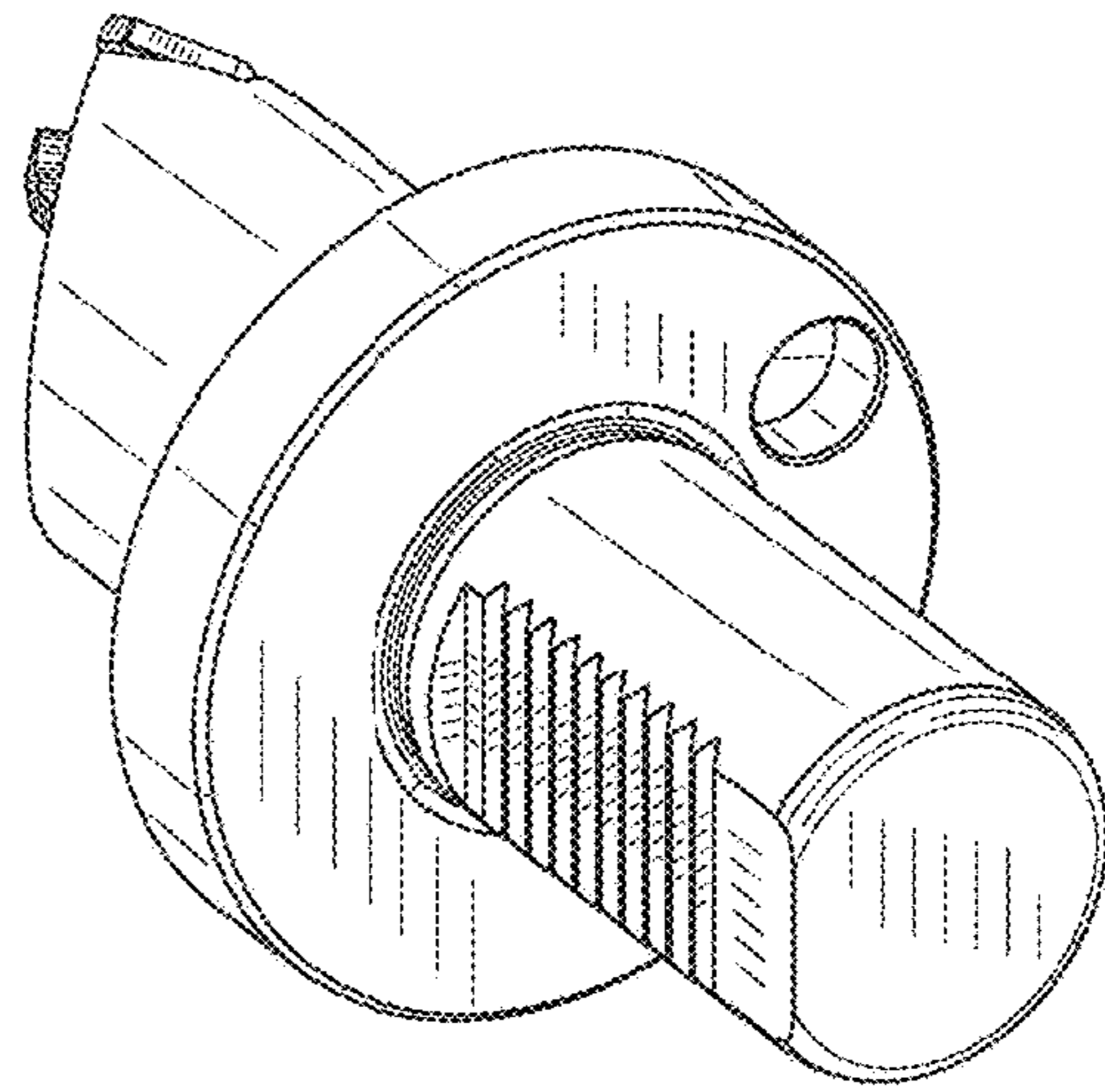


FIG. 11

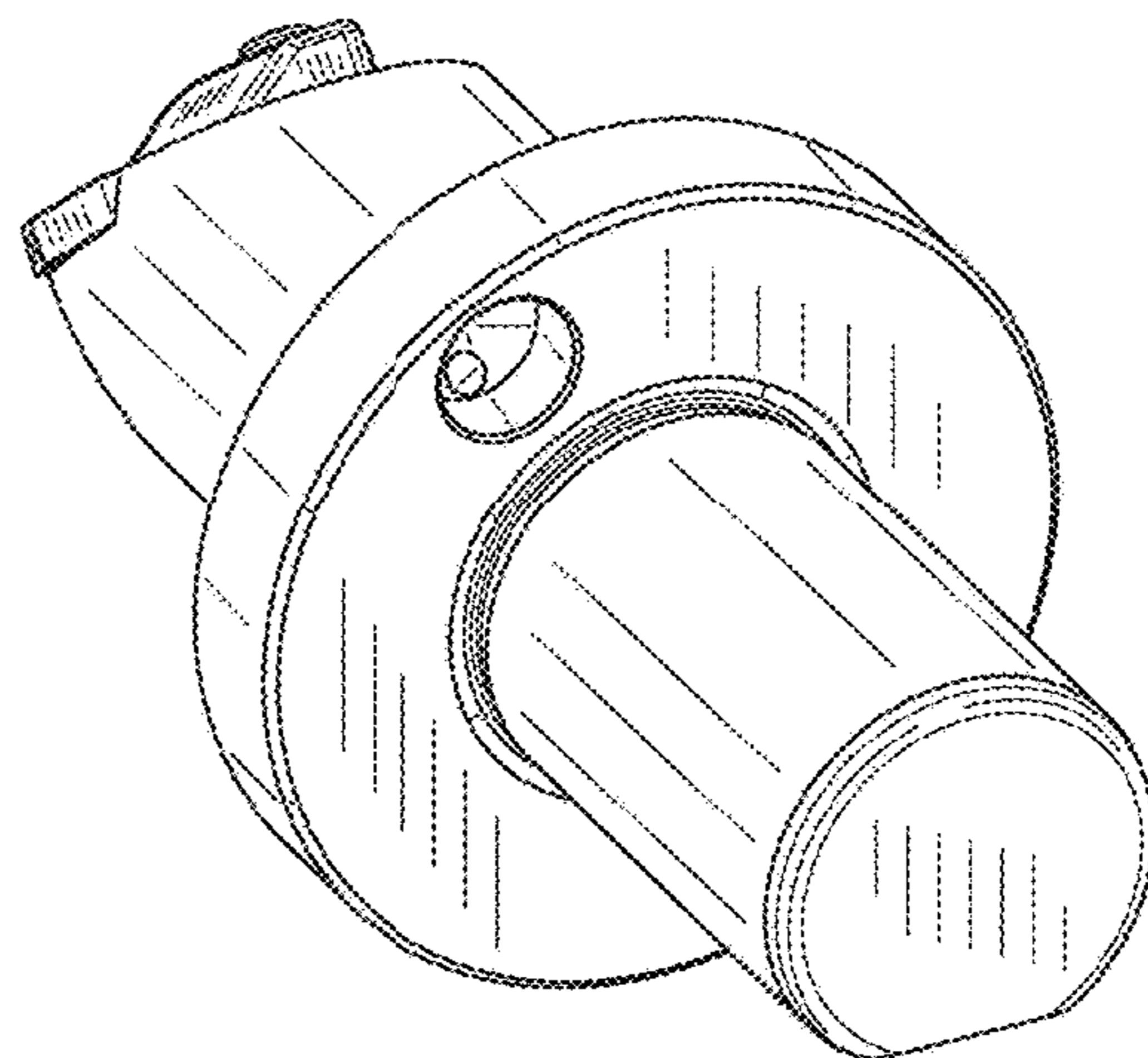




FIG. 12

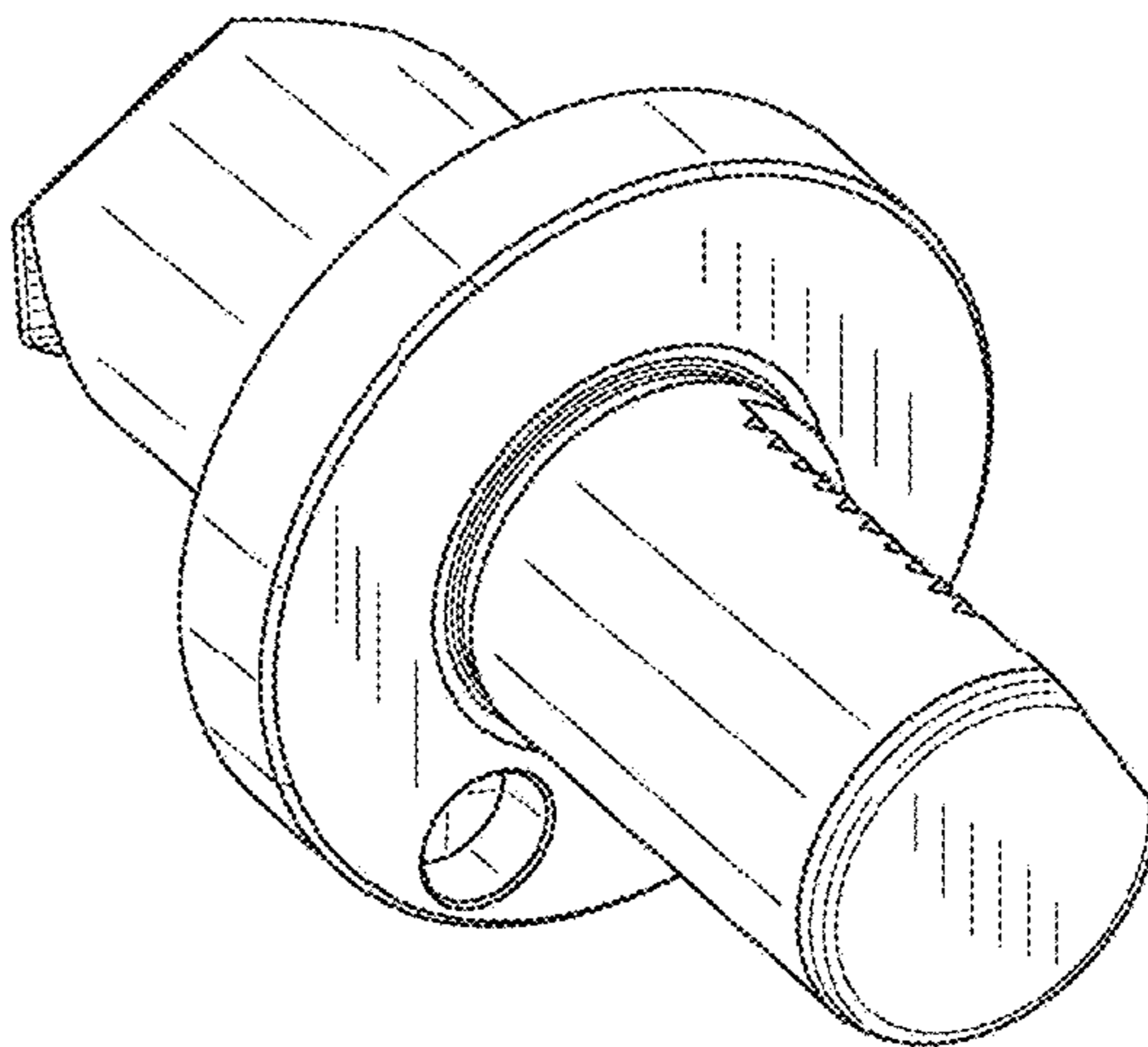


FIG. 13

