

US00D965648S

(12) **United States Design Patent** (10) **Patent No.:** **US D965,648 S**  
**Kim et al.** (45) **Date of Patent:** **\*\* Oct. 4, 2022**

(54) **HANDLE FOR HOME APPLIANCE**

FOREIGN PATENT DOCUMENTS

(71) Applicant: **Samsung Electronics Co., Ltd.**,  
Gyeonggi-do (KR)

CN 304031032 S 2/2017  
CN 304191842 S 6/2017  
KR 300766622 1/2014

(72) Inventors: **Hyunsoo Kim**, Gyeonggi-do (KR);  
**Gisung Han**, Gyeonggi-do (KR);  
**Hwanwoong Choi**, Gyeonggi-do (KR);  
**Daejong Kim**, Gyeonggi-do (KR);  
**Binna Kim**, Gyeonggi-do (KR);  
**Honguk Lee**, Gyeonggi-do (KR)

OTHER PUBLICATIONS

Kenmore Refrigerator Door Handle: Announced [Apr. 20, 2020],  
online. Site Visited [Mar. 14, 2022], Availalbe from Internet URL:  
<https://www.ebay.com/itm/304004009626>.\*

(73) Assignee: **SAMSUNG ELECTRONICS CO., LTD.**,  
Gyeonggi-Do (KR)

*Primary Examiner* — Catherine S Posthauer  
(74) *Attorney, Agent, or Firm* — Cantor Colburn LLP

(\*\*) Term: **15 Years**

(57) **CLAIM**

The ornamental design for a handle for home appliance, as  
shown and described.

(21) Appl. No.: **29/692,942**

**DESCRIPTION**

(22) Filed: **May 29, 2019**

(30) **Foreign Application Priority Data**

Jan. 17, 2019 (KR) ..... 30-2019-0002645

(51) **LOC (13) Cl.** ..... **15-07**

(52) **U.S. Cl.**  
USPC ..... **D15/89**

(58) **Field of Classification Search**  
USPC ..... D9/414, 415, 434, 436, 438, 443, 455,  
D9/456, 501, 518, 530, 722; D15/89,  
D15/317; D8/300, 303, 315, 316, 319,  
D8/320; D7/334-337, 393, 394,  
(Continued)

FIG. 1 is a front perspective view of a handle for home  
appliance, showing our new design;  
FIG. 2 is a front view thereof;  
FIG. 3 is a rear view thereof;  
FIG. 4 is a left-side view thereof;  
FIG. 5 is a right-side view thereof;  
FIG. 6 is a top view thereof;  
FIG. 7 is a bottom view thereof;  
FIG. 8 is an enlarged view of the encircled portion 8 in FIG.  
1;  
FIG. 9 is a cross-sectional view taken along the line 9-9 of  
FIG. 2;  
FIG. 10 is a perspective view as shown in a user environ-  
ment; and,  
FIG. 11 is a perspective view as shown in another user  
environment.

(56) **References Cited**

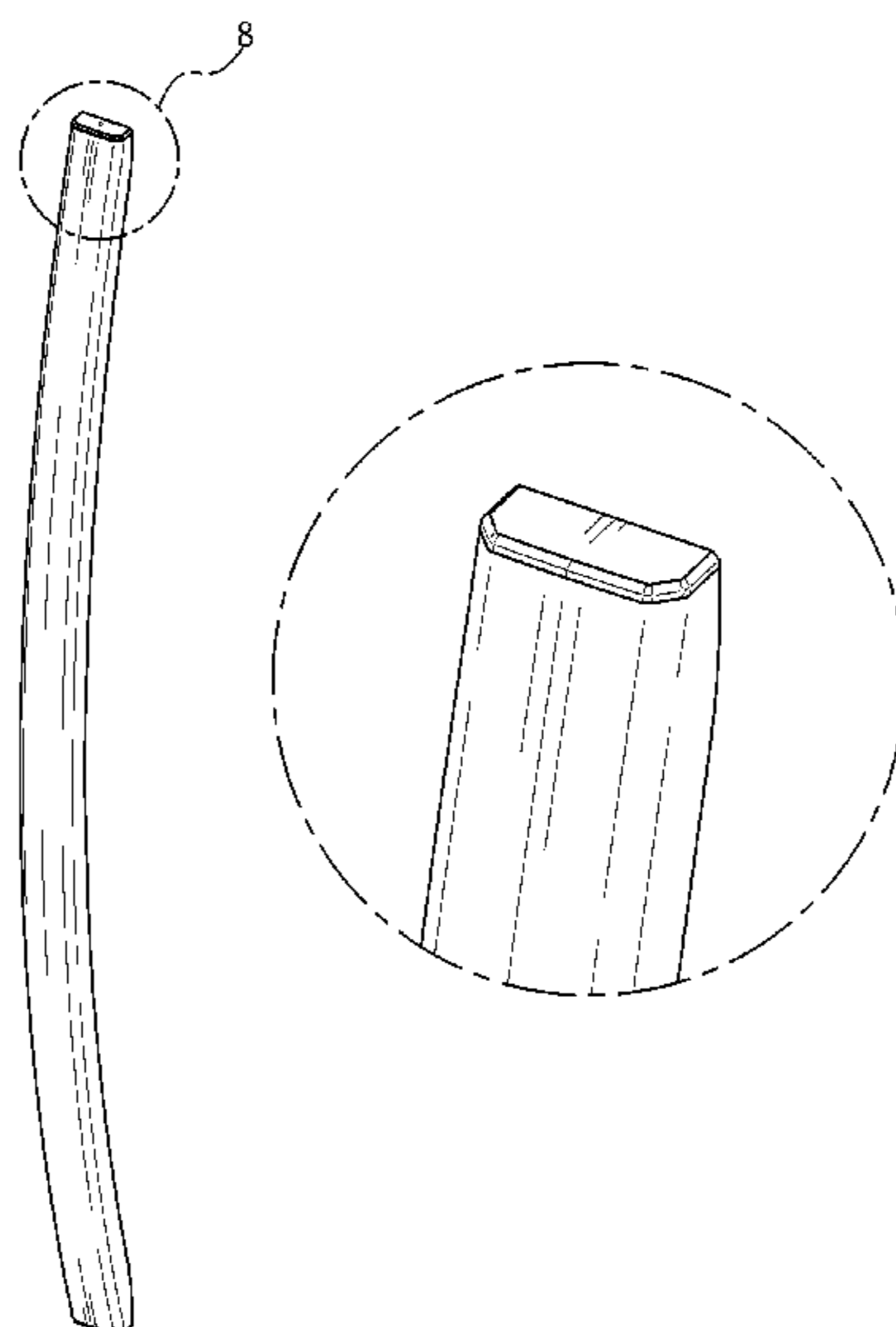
U.S. PATENT DOCUMENTS

D442,820 S \* 5/2001 Kim ..... D7/351  
D442,823 S \* 5/2001 Wright ..... D7/393  
D511,955 S 11/2005 Baldwin et al.

The evenly broken lines are shown for the purpose of  
illustrating environmental subject matter of exemplary  
appliances and handles. The dot-dash broken lines represent  
the designation of enlargement views. None of the broken  
lines form part of the claimed design.

(Continued)

**1 Claim, 11 Drawing Sheets**



# US D965,648 S

Page 2

(58) **Field of Classification Search**

USPC ..... D7/402-405, 350.1, 350.2, 350.3, 351,  
D7/387, 390; D32/3, 25  
CPC ..... E05B 85/00; E05B 1/0015; B25G 1/04;  
B65B 43/10; E05Y 2900/531; F25D  
11/00; F25D 2700/02; F25D 2700/12;  
F25D 2700/121; F25D 2700/14  
See application file for complete search history.

(56) **References Cited**

U.S. PATENT DOCUMENTS

D537,849 S \* 3/2007 Wong ..... D15/89  
D552,959 S \* 10/2007 Gilboe ..... D8/317  
D556,794 S \* 12/2007 Vaughn ..... D15/89  
D563,159 S \* 3/2008 Rae ..... D7/394  
D579,310 S \* 10/2008 Suh ..... D15/89  
D600,529 S \* 9/2009 Nicholson ..... D8/315  
D610,595 S \* 2/2010 Baker ..... D15/89  
D646,141 S \* 10/2011 Jeon ..... D8/316  
D666,867 S \* 9/2012 Rae ..... D7/394  
8,732,910 B1 \* 5/2014 Paul ..... F25D 23/028  
16/444  
D714,366 S \* 9/2014 Jeon ..... D15/89  
D722,090 S \* 2/2015 Jeon ..... D15/89  
D722,623 S \* 2/2015 Cho ..... D15/89  
D722,624 S \* 2/2015 Cho ..... D15/89  
D722,625 S \* 2/2015 Cho ..... D15/89  
D732,087 S \* 6/2015 Ozaki ..... D15/89  
D748,166 S \* 1/2016 Jeon ..... D15/89  
D788,522 S \* 6/2017 Choi ..... D7/402  
D792,752 S \* 7/2017 Chung ..... D8/315  
D794,264 S \* 8/2017 Roberson ..... D32/3  
D818,010 S \* 5/2018 Zhang ..... D15/89  
D818,656 S \* 5/2018 Roberson ..... D32/3  
D820,661 S \* 6/2018 Shargh ..... D8/315  
D826,687 S \* 8/2018 Rizzi ..... D8/316  
D828,139 S \* 9/2018 Rizzi ..... D8/316

D853,188 S \* 7/2019 Kim ..... D7/405  
D917,226 S \* 4/2021 Nathan ..... D7/394  
10,982,472 B1 \* 4/2021 Fazi ..... E05C 3/02  
11,122,203 B1 \* 9/2021 Schroeder ..... F25D 21/04  
2006/0266059 A1 \* 11/2006 Wetekamp ..... F25C 5/22  
62/275  
2008/0034553 A1 \* 2/2008 Wing ..... A47B 95/02  
16/412  
2010/0005631 A1 \* 1/2010 Drach ..... E05B 1/0015  
16/436  
2010/0236278 A1 \* 9/2010 Eom ..... A47B 88/467  
62/449  
2012/0023980 A1 \* 2/2012 Lee ..... F25B 5/02  
62/132  
2012/0042670 A1 \* 2/2012 Lee ..... F25D 25/025  
62/125  
2012/0074826 A1 \* 3/2012 Klaus ..... E05B 1/0015  
312/405  
2012/0227218 A1 \* 9/2012 Johnson ..... E05B 1/0015  
16/422  
2014/0075963 A1 \* 3/2014 Boarman ..... F25B 21/02  
62/340  
2014/0313328 A1 \* 10/2014 Park ..... F25D 29/00  
348/143  
2014/0338152 A1 \* 11/2014 Moody ..... E05B 1/0015  
16/412  
2015/0115785 A1 \* 4/2015 Allen ..... F25D 23/028  
312/319.2  
2015/0362246 A1 \* 12/2015 Vijayan ..... F25D 21/14  
62/181  
2016/0054047 A1 \* 2/2016 Lim ..... F25D 17/065  
62/407  
2016/0146529 A1 \* 5/2016 Choi ..... F25D 23/00  
312/405.1  
2018/0099610 A1 \* 4/2018 Meyers ..... H05B 47/115  
2018/0187947 A1 \* 7/2018 Chae ..... F25D 21/04  
2018/0299187 A1 \* 10/2018 Kim ..... E05B 1/0015  
2019/0128597 A1 \* 5/2019 Kim ..... F25D 17/065

\* cited by examiner

FIG. 1



FIG. 2

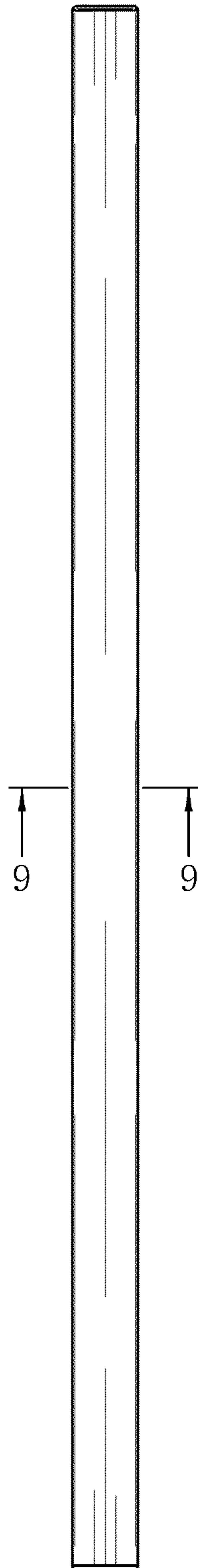


FIG. 3



FIG. 4

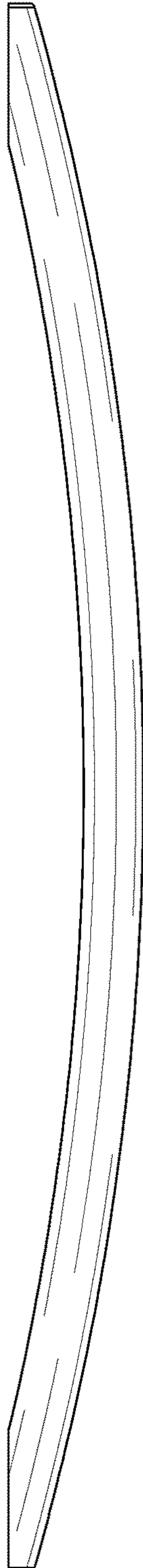


FIG. 5

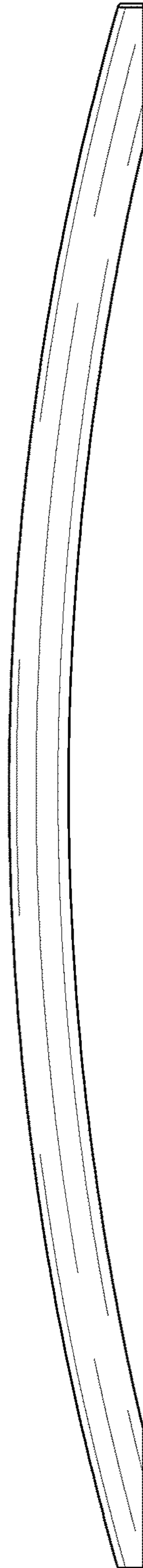


FIG. 6

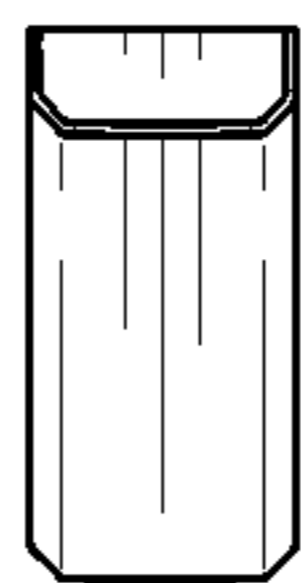




FIG. 7

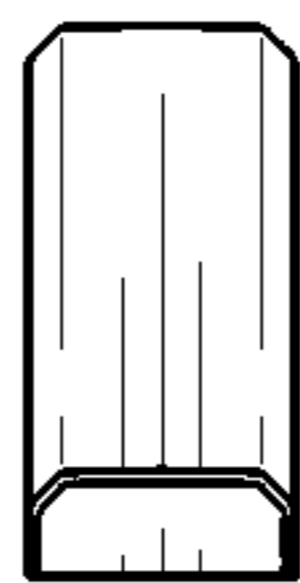


FIG. 8

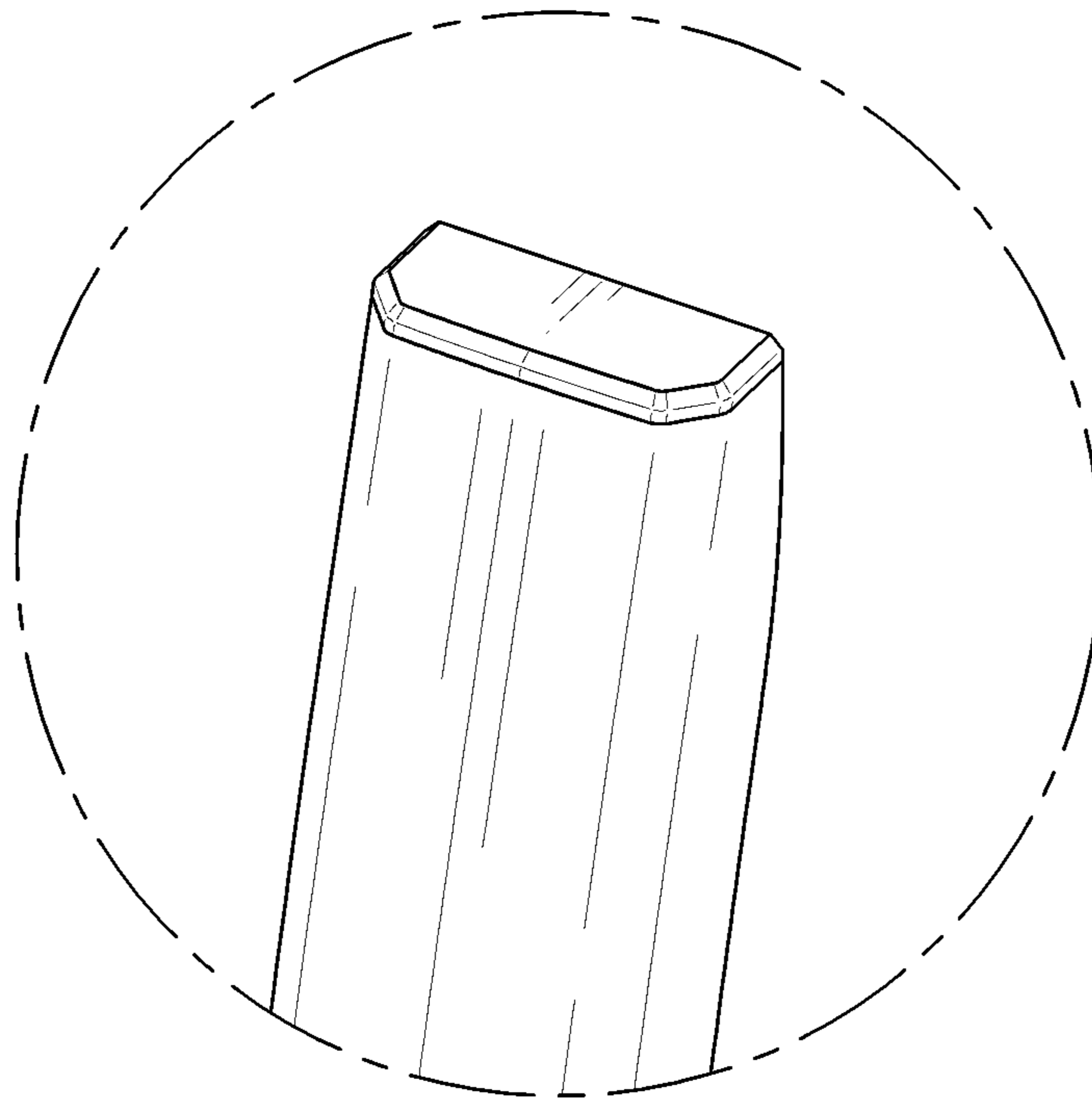


FIG. 9

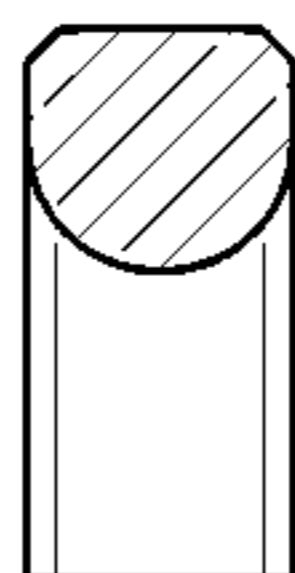


FIG. 10

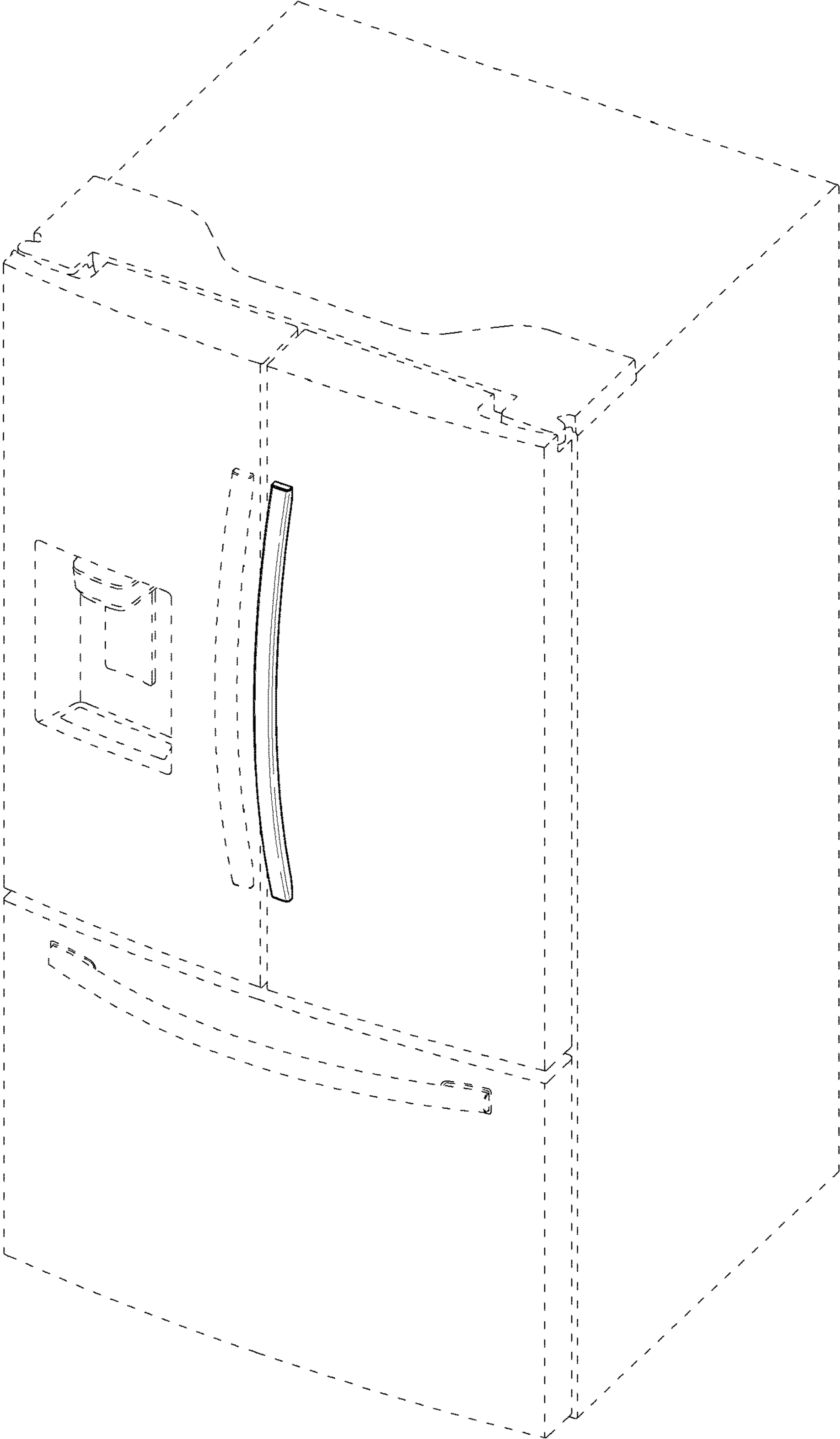


FIG. 11

