



US00D965646S

(12) **United States Design Patent** (10) **Patent No.:** **US D965,646 S**
Bouroullec et al. (45) **Date of Patent:** **** Oct. 4, 2022**

(54) **REFRIGERATOR**

(71) Applicant: **Samsung Electronics Co., Ltd.**,
Suwon-si (KR)

(72) Inventors: **Erwan Bouroullec**, Paris (FR); **Ronan Bouroullec**, Paris (FR)

(73) Assignee: **Samsung Electronics Co., Ltd.**,
Suwon-si (KR)

(**) Term: **15 Years**

(21) Appl. No.: **29/741,685**

(22) Filed: **Jul. 15, 2020**

(30) **Foreign Application Priority Data**

Jan. 17, 2020 (KR) 30-2020-0002389

(51) **LOC (13) Cl.** **15-07**

(52) **U.S. Cl.**
USPC **D15/81; D6/686**

(58) **Field of Classification Search**
USPC D15/79-91; D6/642, 685, 686; D7/606,
D7/608; D14/204, 212, 215, 216
(Continued)

(56) **References Cited**

U.S. PATENT DOCUMENTS

2,518,764 A * 8/1950 Dunlap F25D 25/00
312/312
D578,105 S * 10/2008 Komiyama D14/216
(Continued)

FOREIGN PATENT DOCUMENTS

CN 2018305484414 2/2019
EM 005944436-0034 1/2019
(Continued)

OTHER PUBLICATIONS

Sobro, Coffee Table, (site visited May 5, 2022), Sobro Design Website, URL:<<https://sobrodesign.com/products/sobro-coffee-table>> (Year: 2022).*

(Continued)

Primary Examiner — Calvin E Vansant

Assistant Examiner — Mark T. Philipps

(74) *Attorney, Agent, or Firm* — NSIP Law

(57) **CLAIM**

We claim the ornamental design for a refrigerator, as shown and described.

DESCRIPTION

FIG. 1 is a front perspective view of a refrigerator showing our new design according to a first embodiment;

FIG. 2 is a front view thereof;

FIG. 3 is a rear view thereof;

FIG. 4 is a left-side view thereof;

FIG. 5 is a right-side view thereof;

FIG. 6 is a top view thereof;

FIG. 7 is a bottom view thereof;

FIG. 8 is a front perspective view of a refrigerator showing our new design according to a second embodiment;

FIG. 9 is a front view thereof;

FIG. 10 is a rear view thereof;

FIG. 11 is a left-side view thereof;

FIG. 12 is a right-side view thereof;

FIG. 13 is a top view thereof;

FIG. 14 is a bottom view thereof;

FIG. 15 is an enlarged view of the encircled portion 15 in FIG. 1;

FIG. 16 is an enlarged view of the encircled portion 16 in FIG. 4;

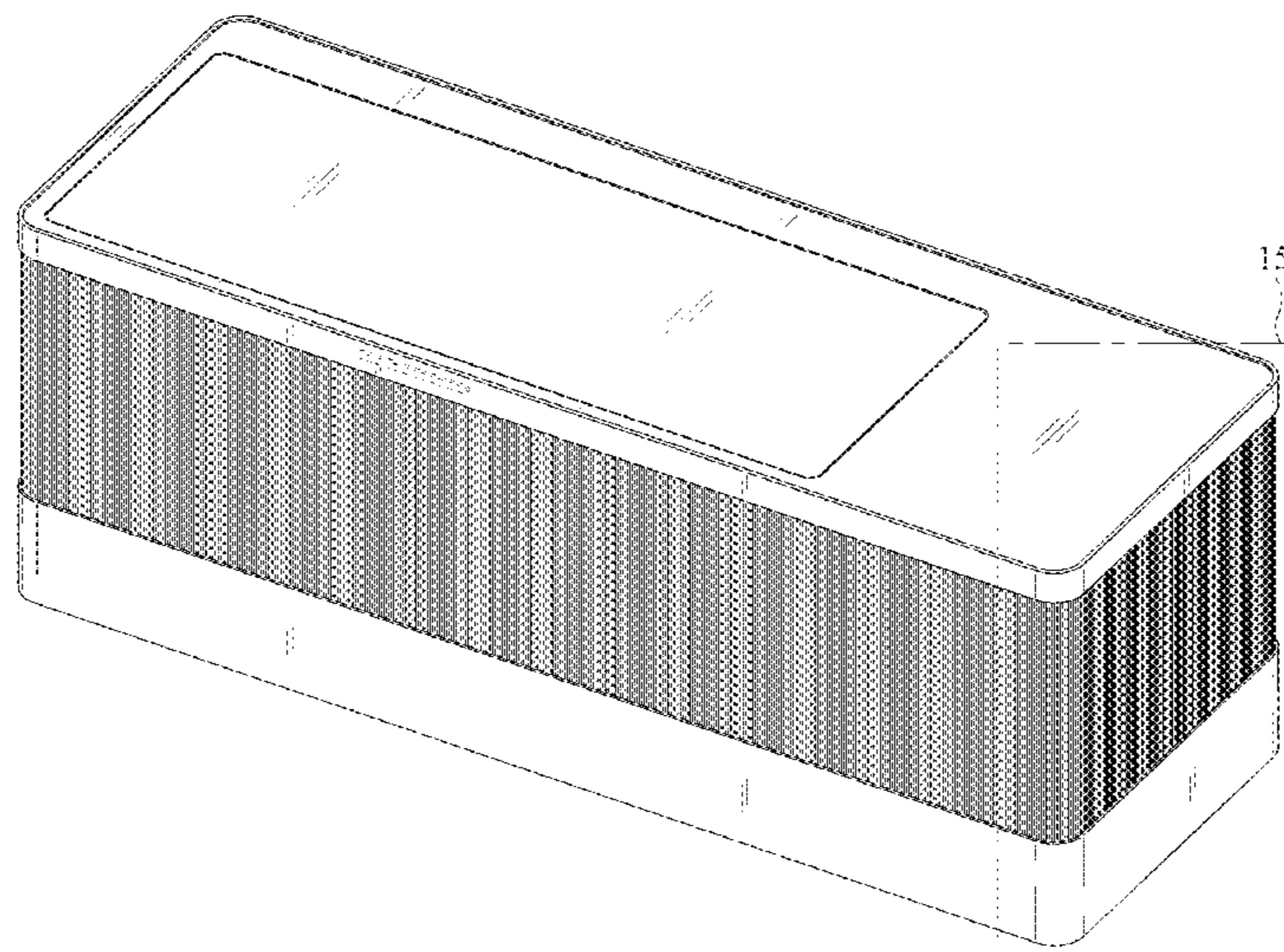
FIG. 17 is an enlarged view of the encircled portion 17 in FIG. 8; and,

FIG. 18 is an enlarged view of the encircled portion 18 in FIG. 11.

The broken lines in the figures depict portions of the refrigerator which form no part of the claimed design.

The dot-dash broken lines encircling portions of the claimed design that are illustrated in enlargements form no part of the claimed design.

1 Claim, 18 Drawing Sheets



(58) **Field of Classification Search**

CPC F25D 11/00; F25D 11/02; F25D 11/025;
F25D 2323/021; F25D 2323/024; F25D
2325/021; F25D 25/02; F25D 25/024;
F25D 25/025; A47F 3/04; A47F 3/0404
See application file for complete search history.

(56) **References Cited**

U.S. PATENT DOCUMENTS

D772,588	S	*	11/2016	Kim	D6/337
D824,879	S	*	8/2018	Vogt, Jr.	D14/214
D843,351	S	*	3/2019	Osborn	D14/214
D885,095	S	*	5/2020	Dash	D6/686
D890,721	S	*	7/2020	Ohno	D14/216
D924,199	S	*	7/2021	Ludlum	D14/204
D948,254	S	*	4/2022	Ben-Avi	D6/686
D948,257	S	*	4/2022	Velez	D6/689

FOREIGN PATENT DOCUMENTS

KR	30-2005-0041209	10/2006
KR	30-2006-0034893	5/2007
KR	30-2016-0009886	4/2019

OTHER PUBLICATIONS

Caterina Moretti, RIMA Credenza, 2M Solid Walnut wood, (site visited May 5, 2022), 1st Dibs Website, URL:<https://www.1stdibs.com/furniture/storage-case-pieces/credenzas/rima-credenza-2m-solid-walnut-wood/id-f_24253022/> (Year: 2022).*

DecoraPort, Smart Coffee Table with Bluetooth Speakers, Refrigerator Storage Drawer, (first available Dec. 26, 2021) Amazon.com, URL:<<https://www.amazon.com/Bluetooth-Speakers-Refrigerator-Wireless-Atmosphere/dp/B09P4P2RZS>> (Year: 2021).*

* cited by examiner

FIG. 1

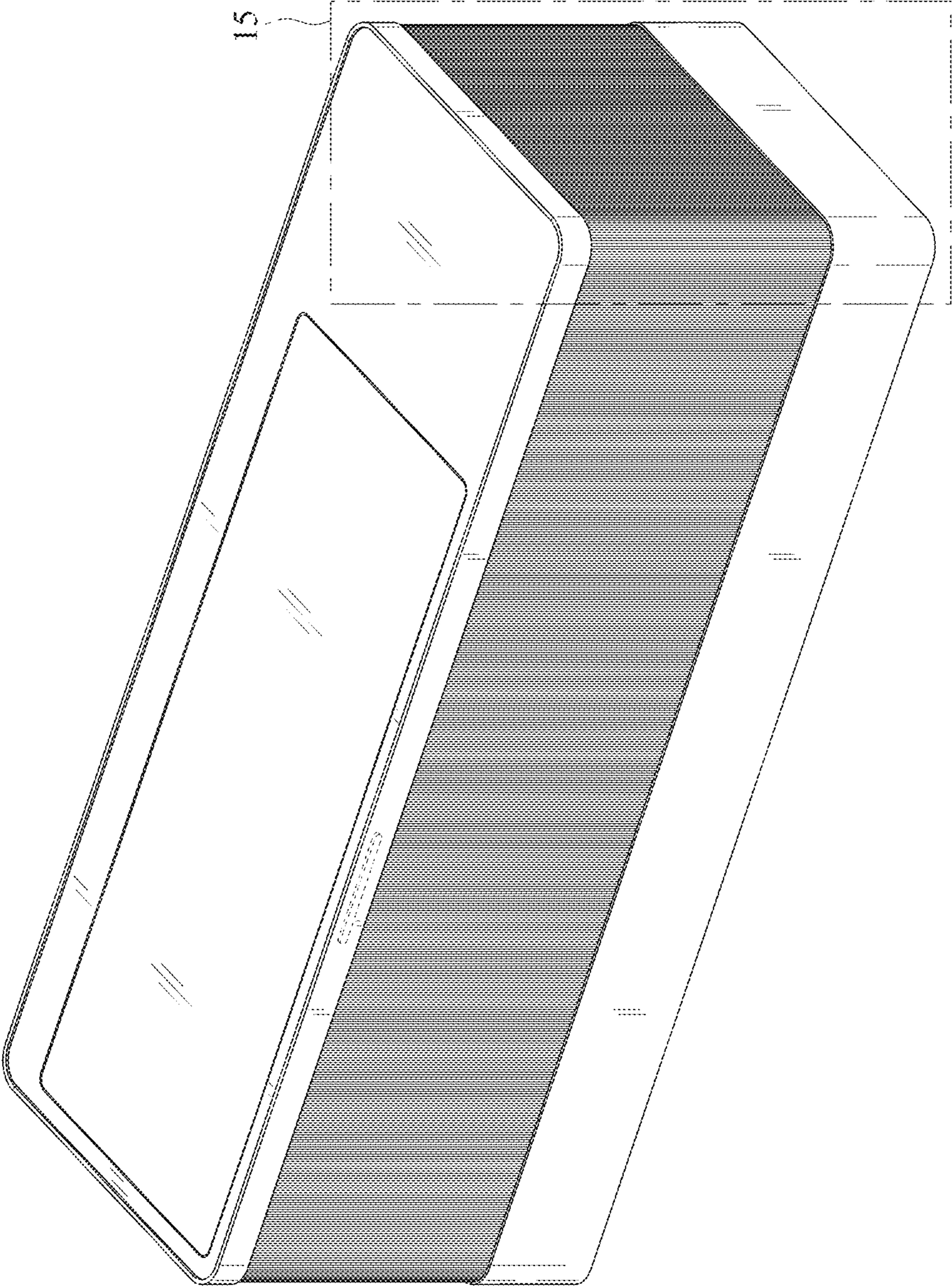


FIG. 2

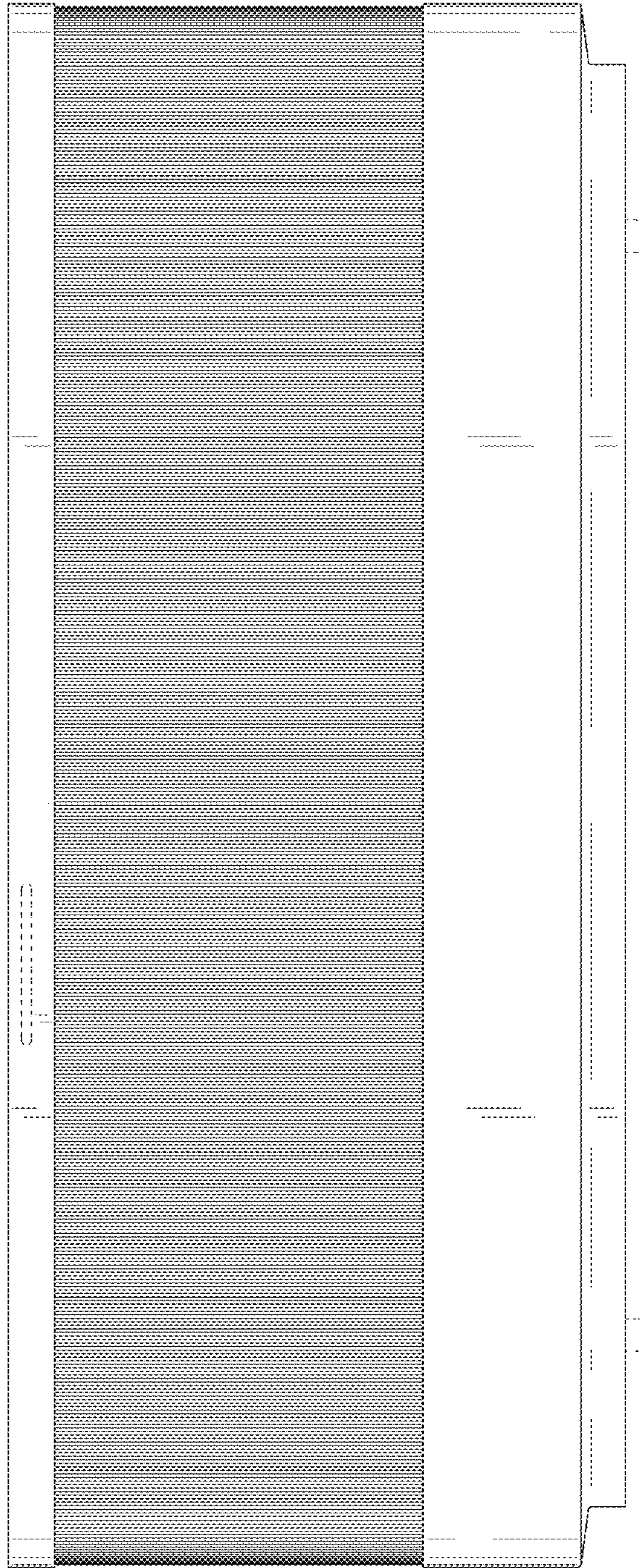


FIG. 3

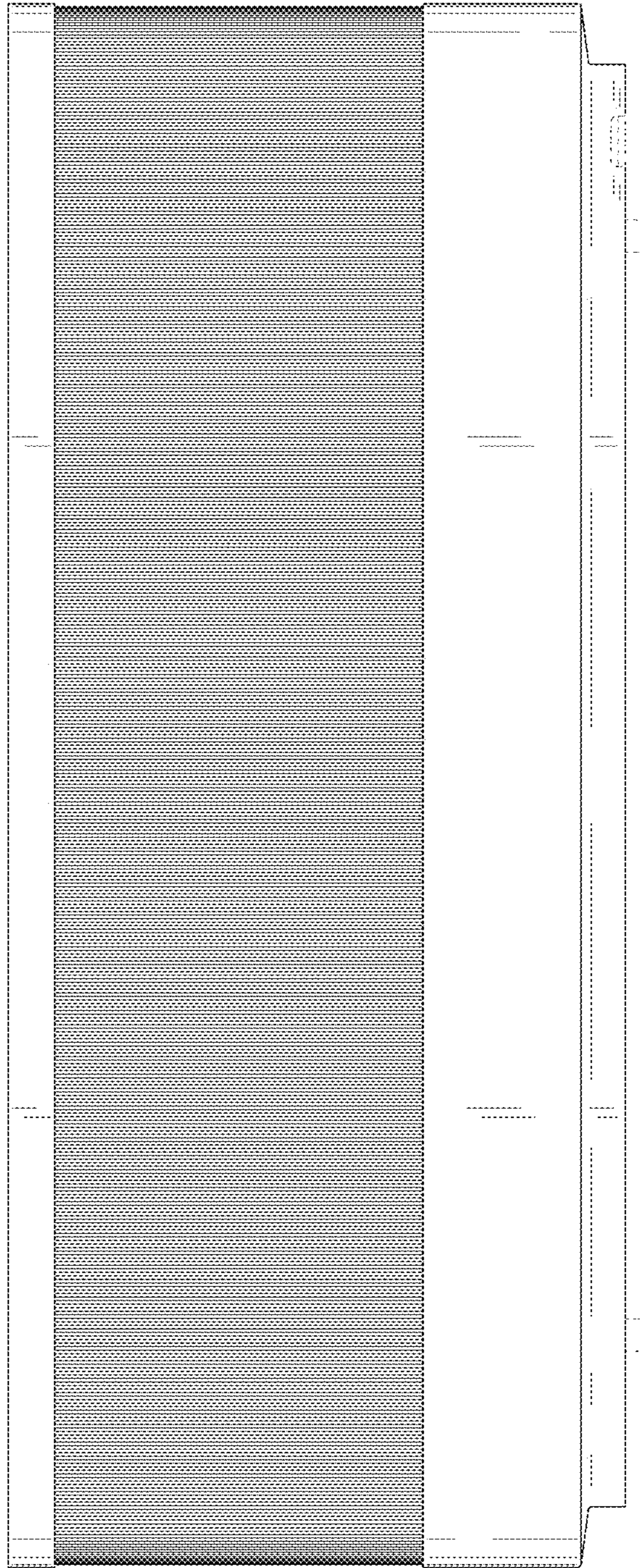


FIG. 4

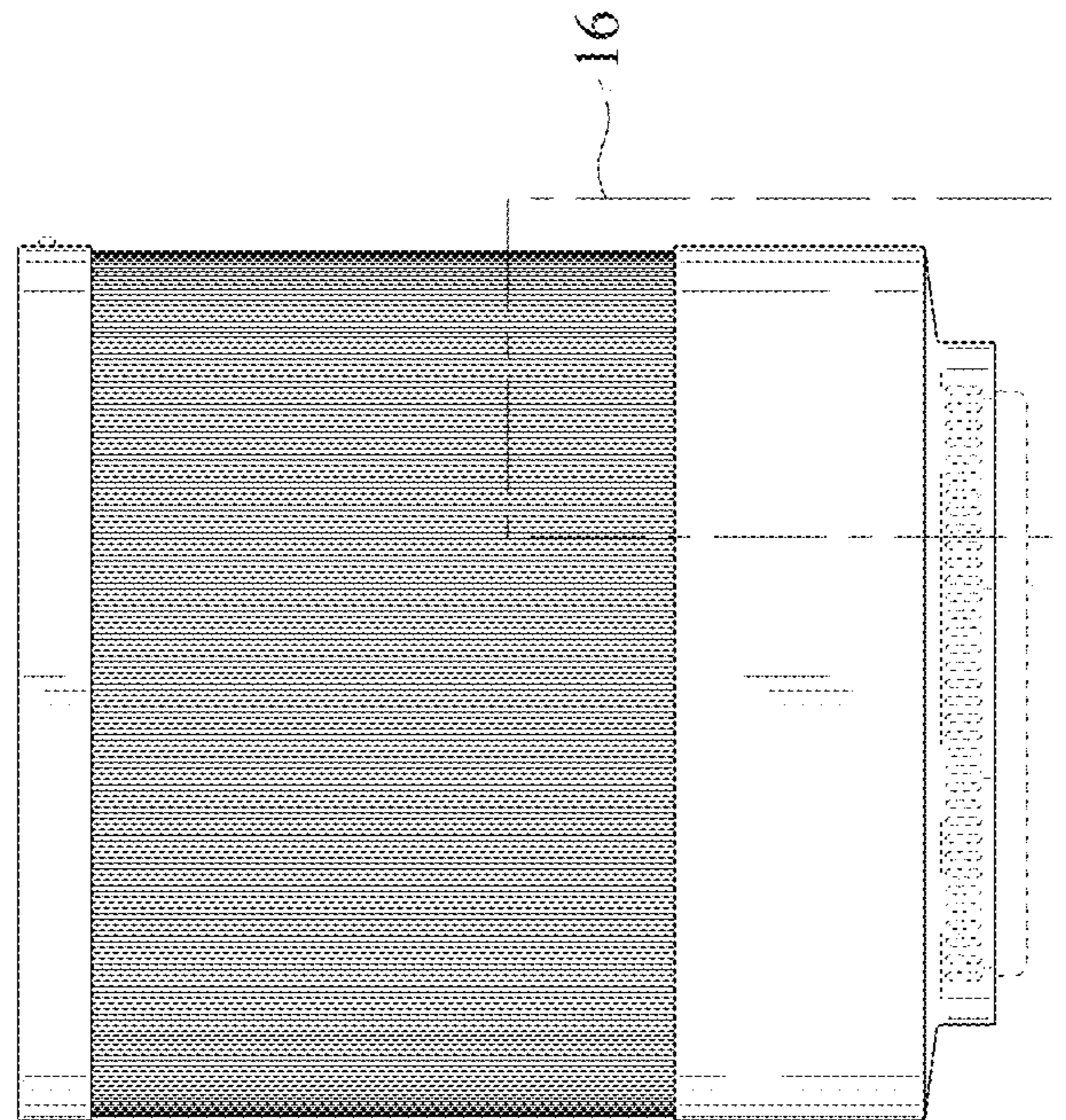


FIG. 5

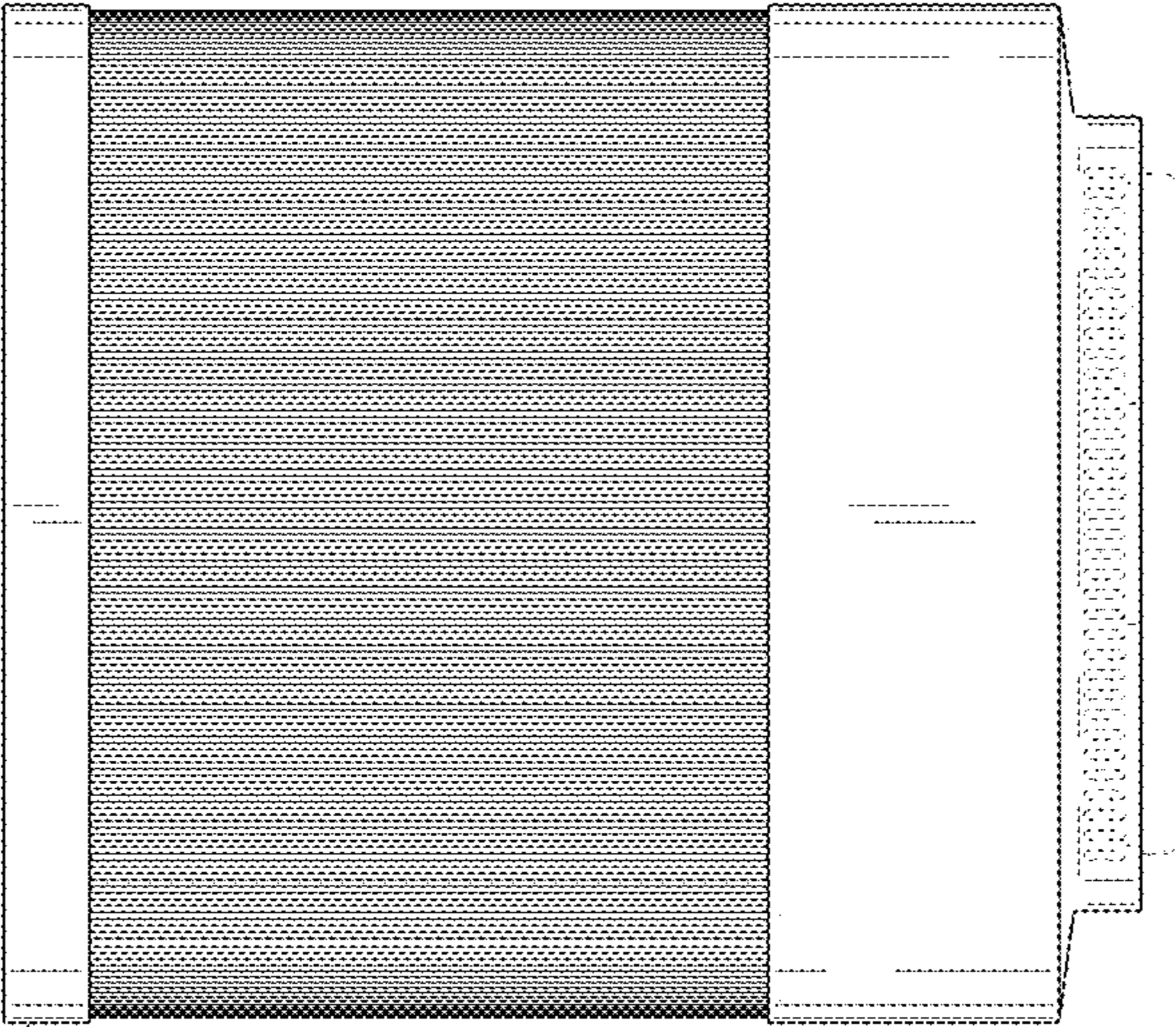


FIG. 6

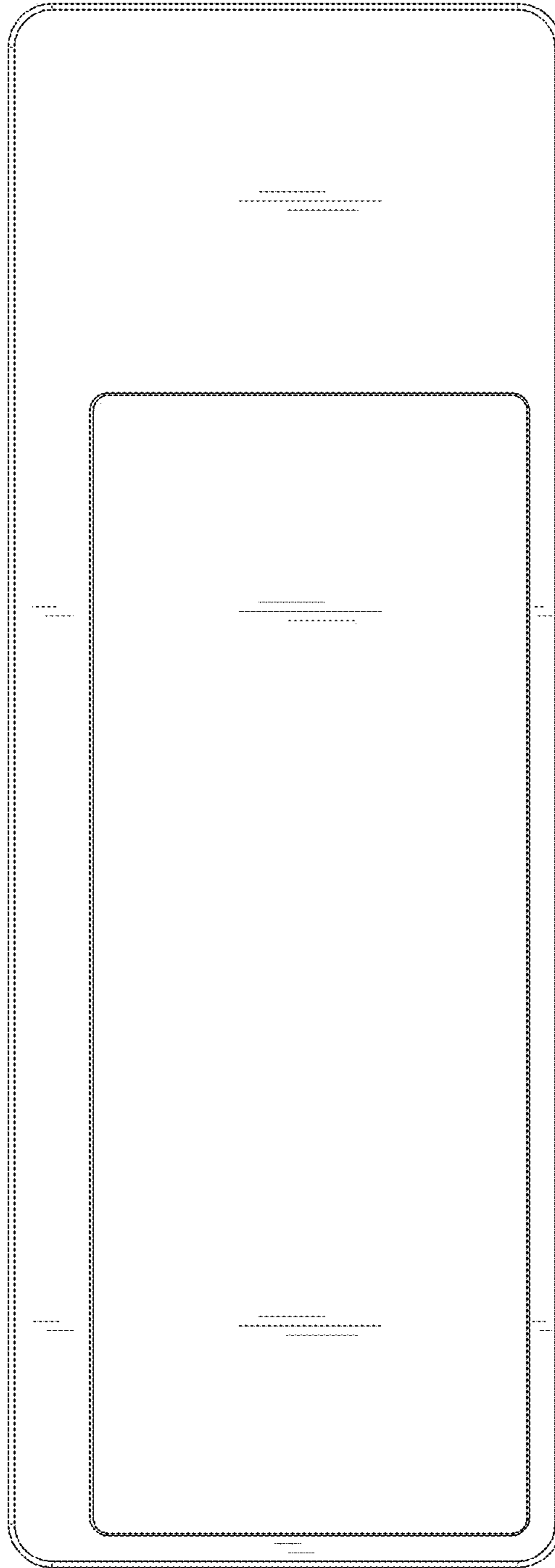


FIG. 7

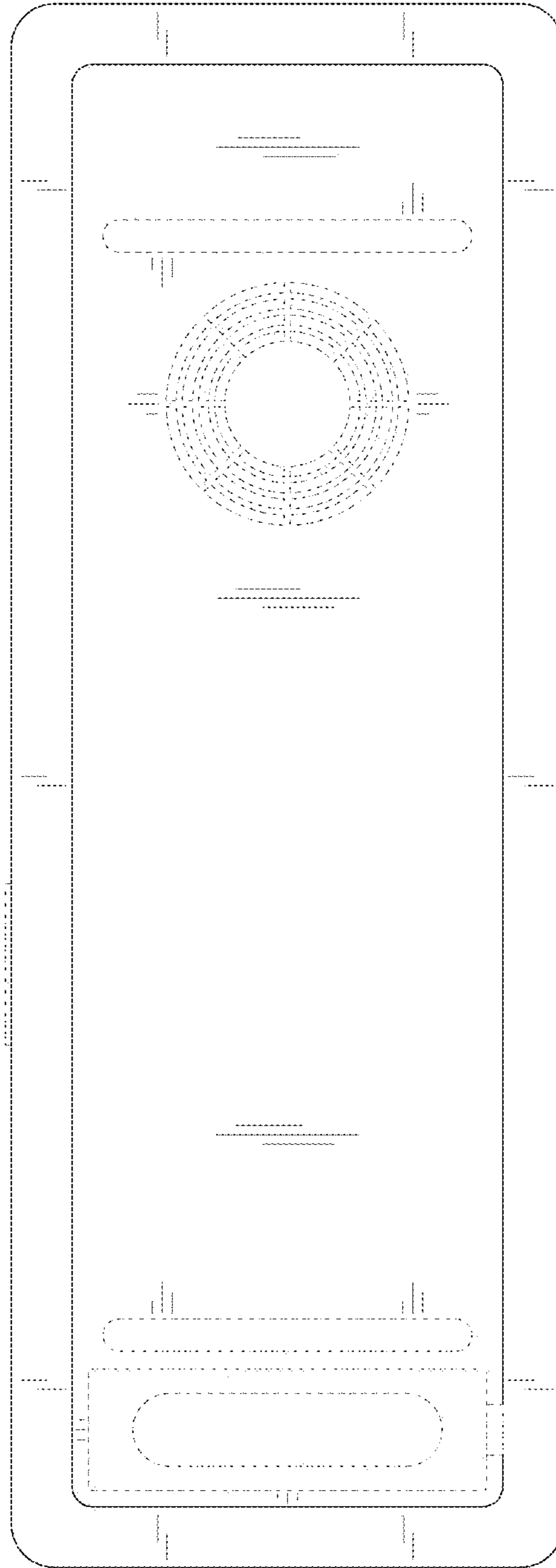


FIG. 8

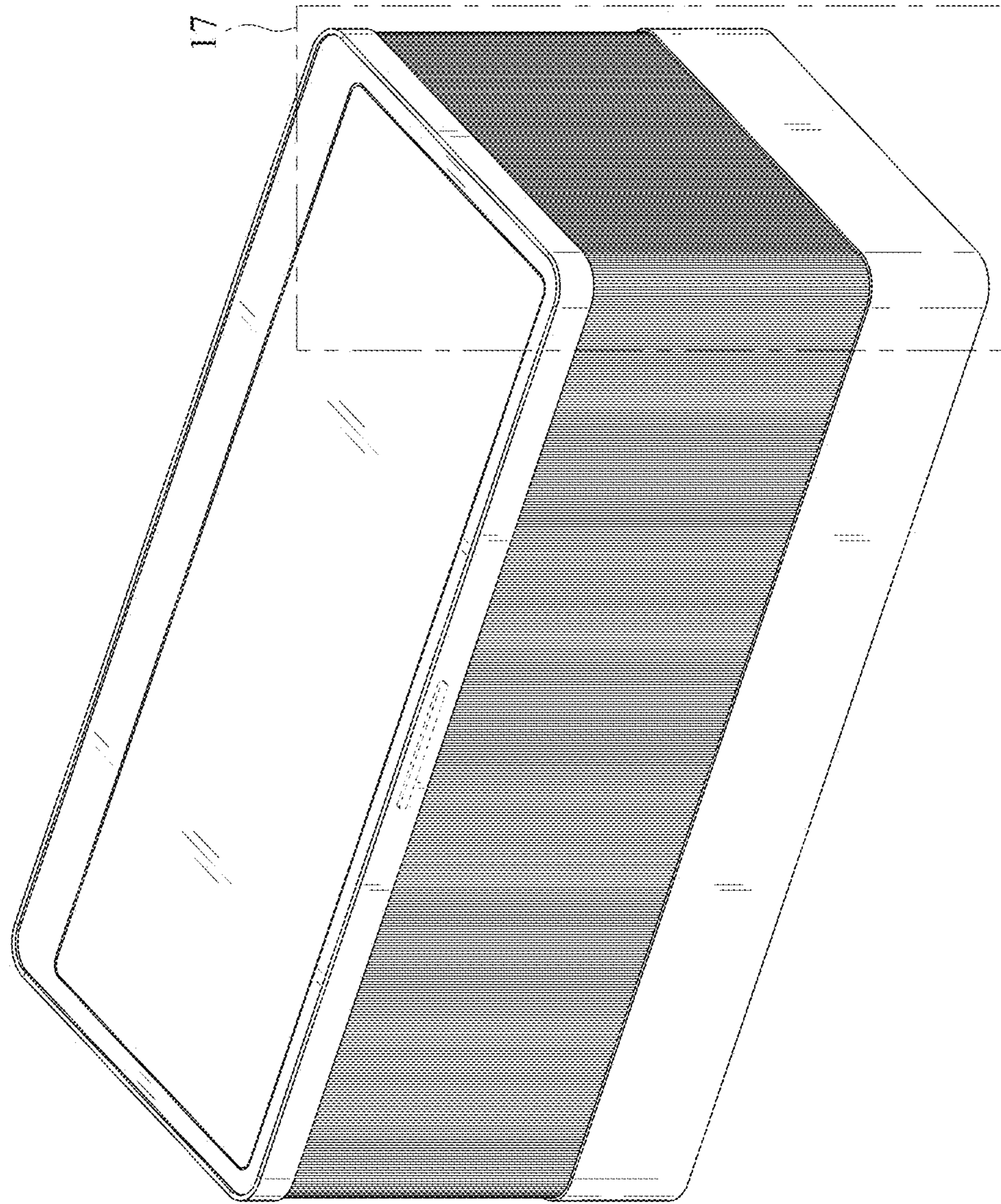


FIG. 9

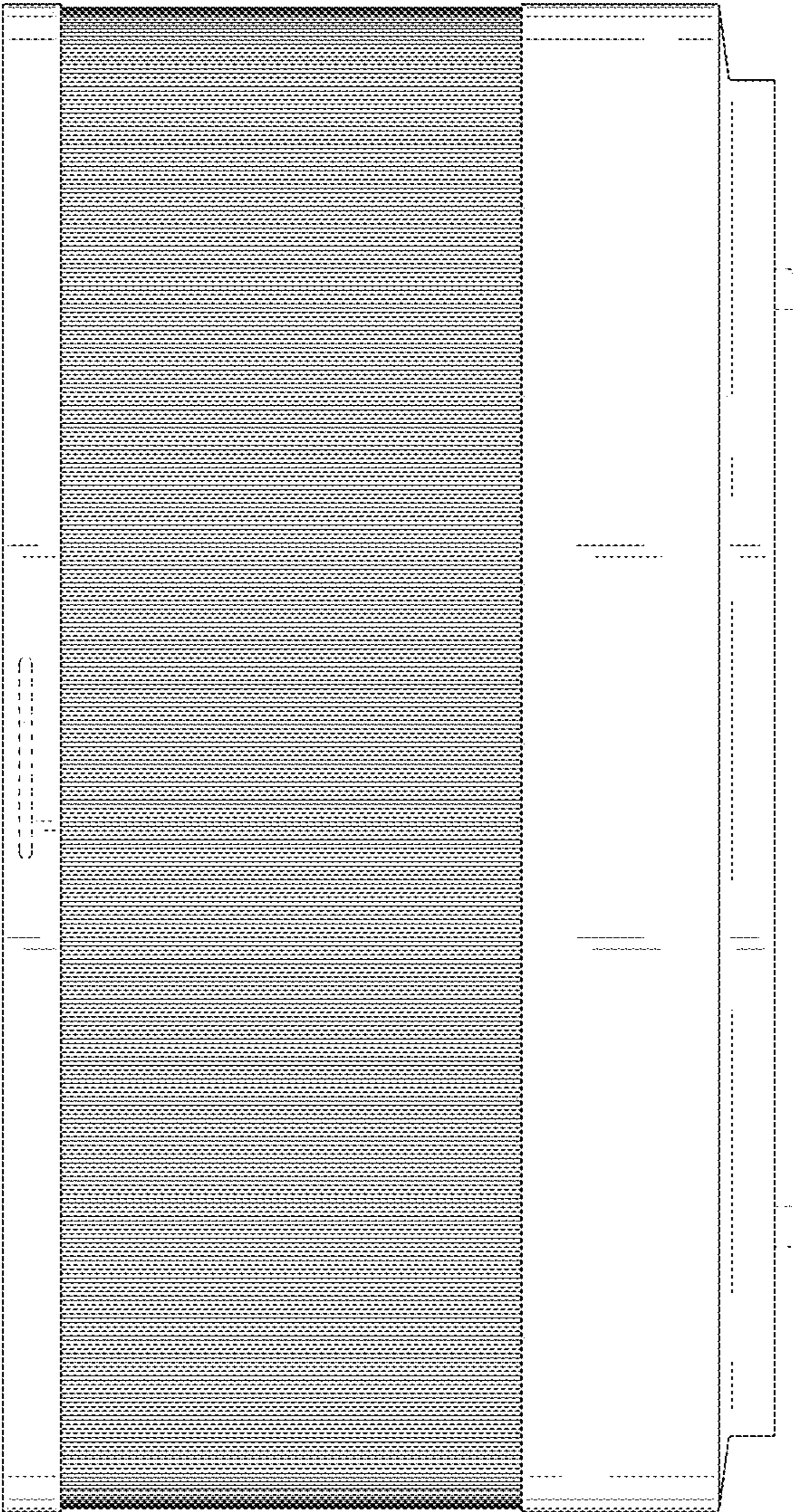


FIG. 10

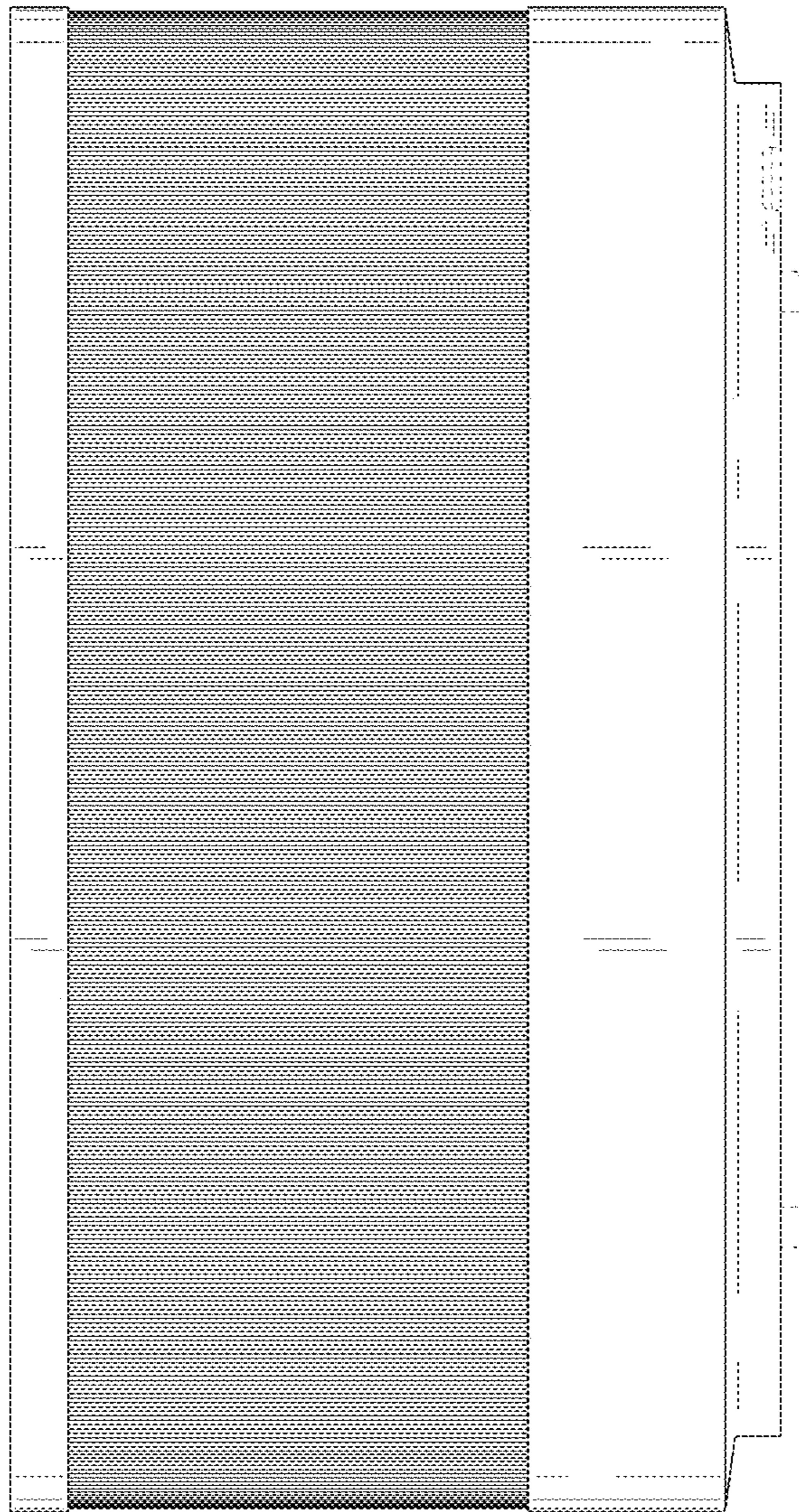


FIG. 11

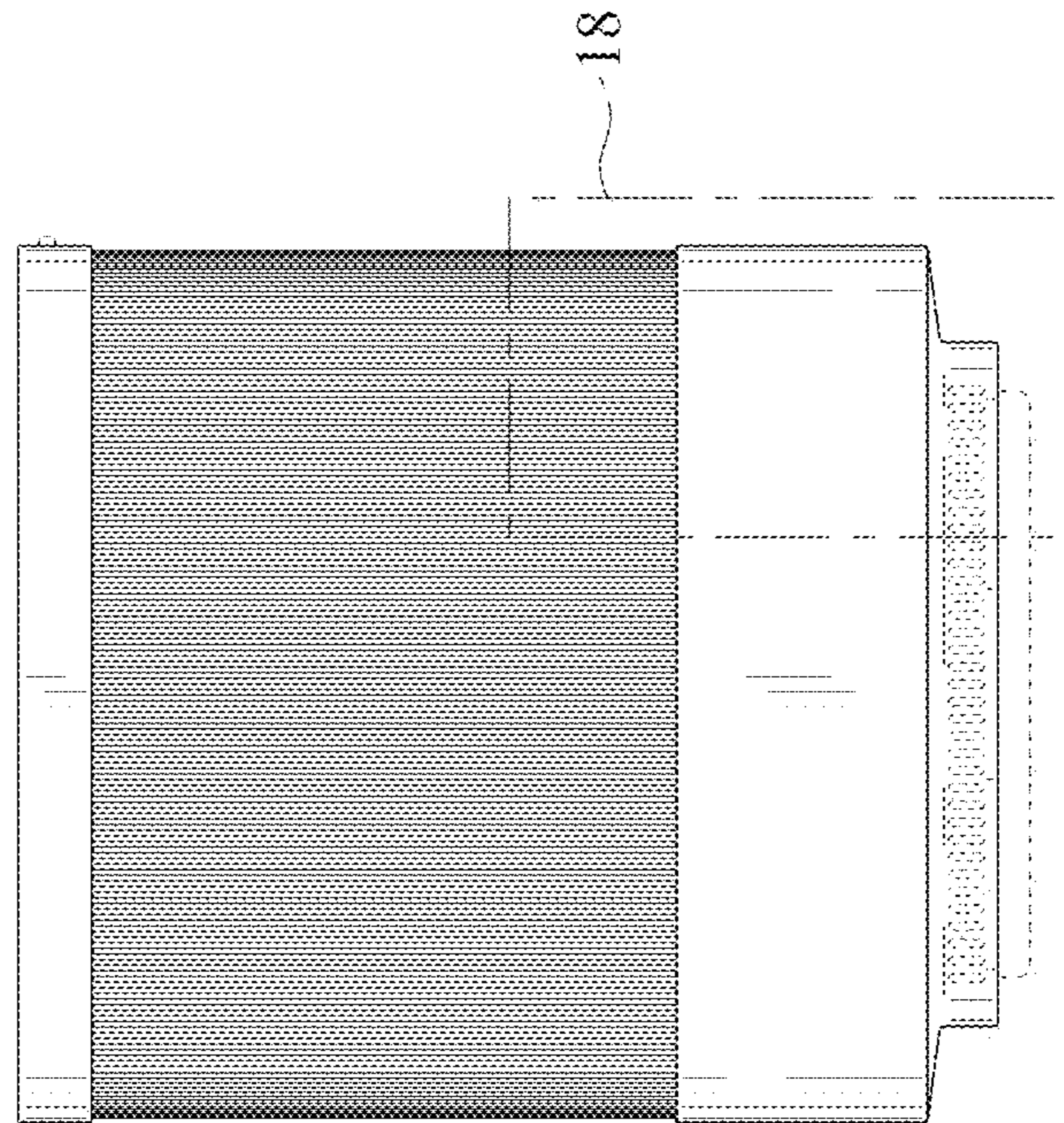


FIG. 12

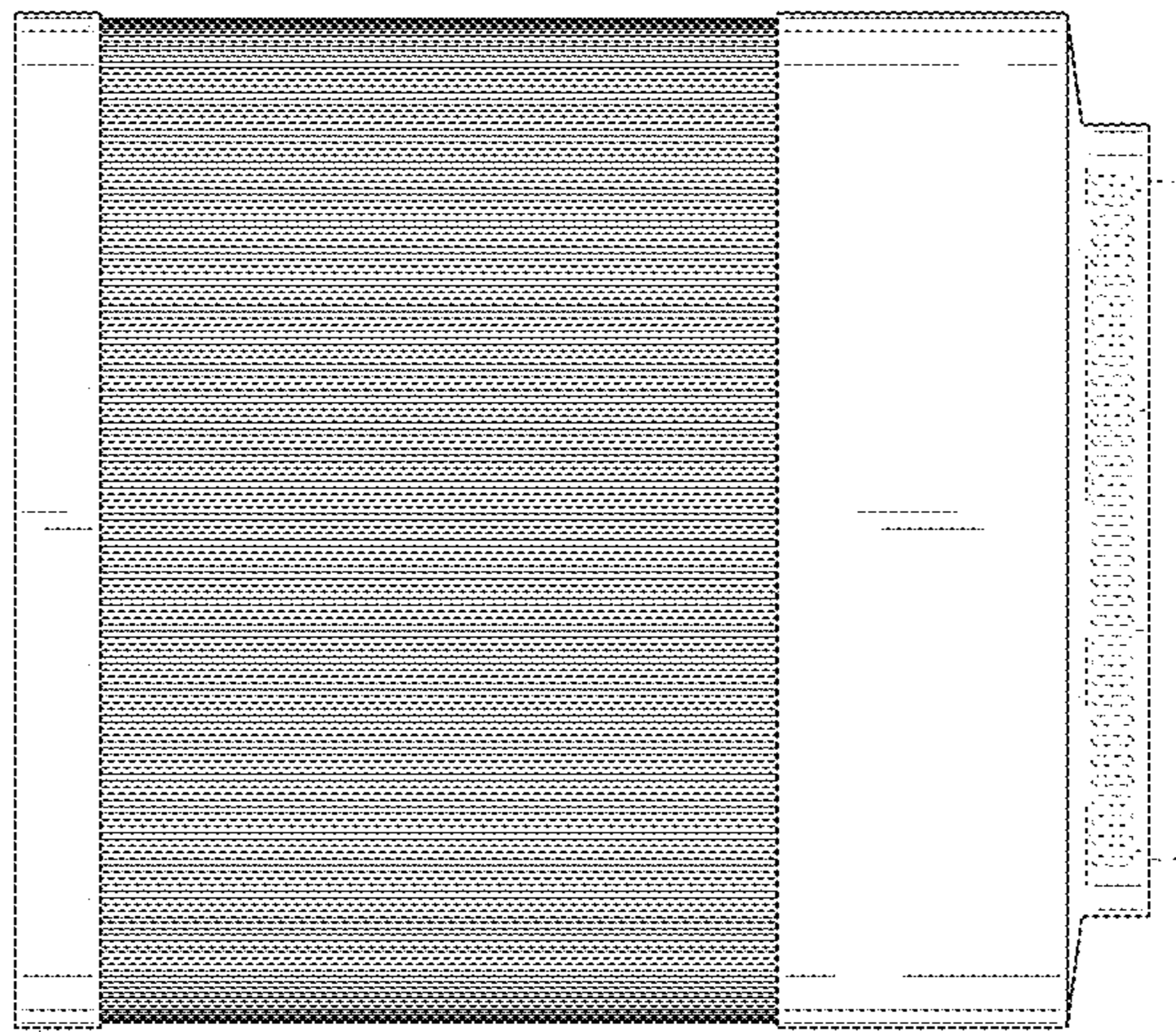


FIG. 13

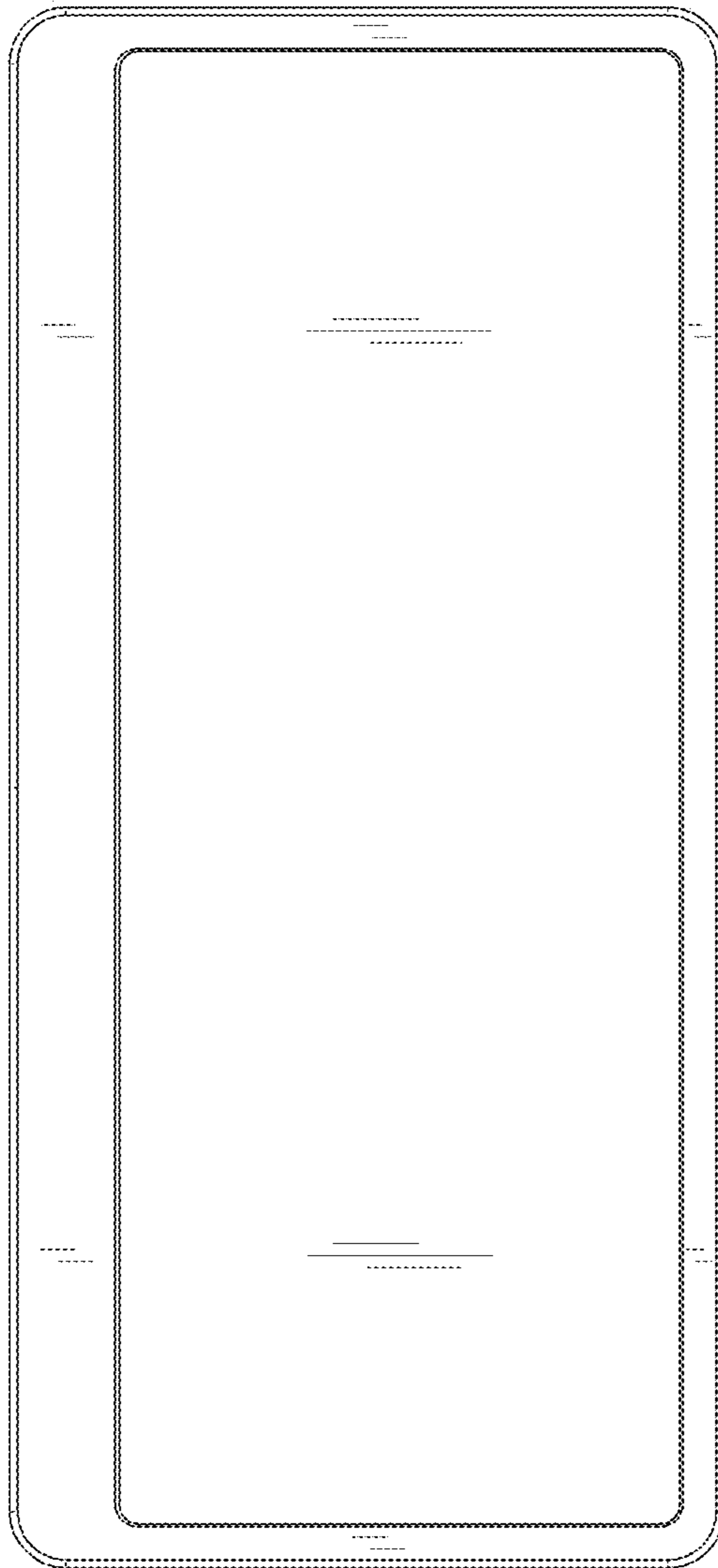


FIG. 14

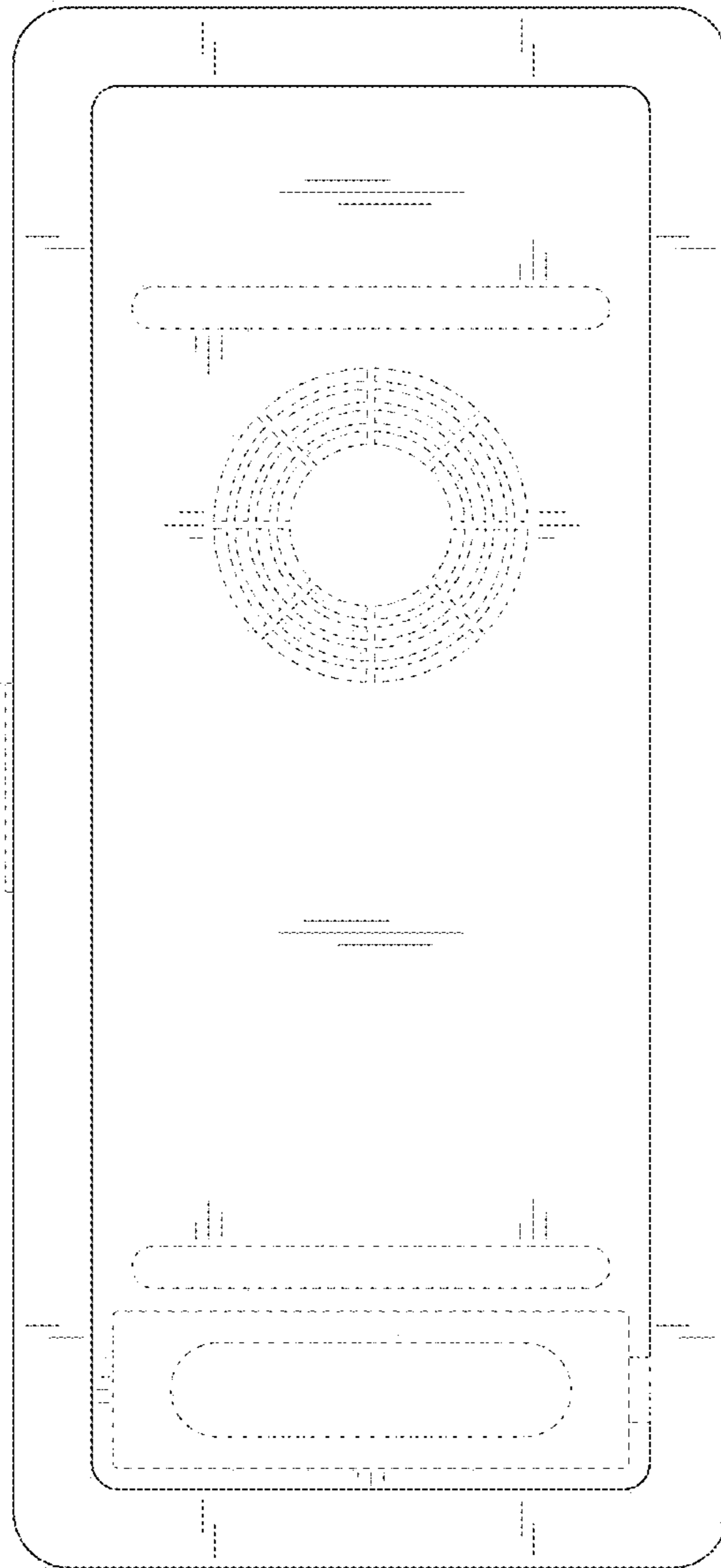


FIG. 15

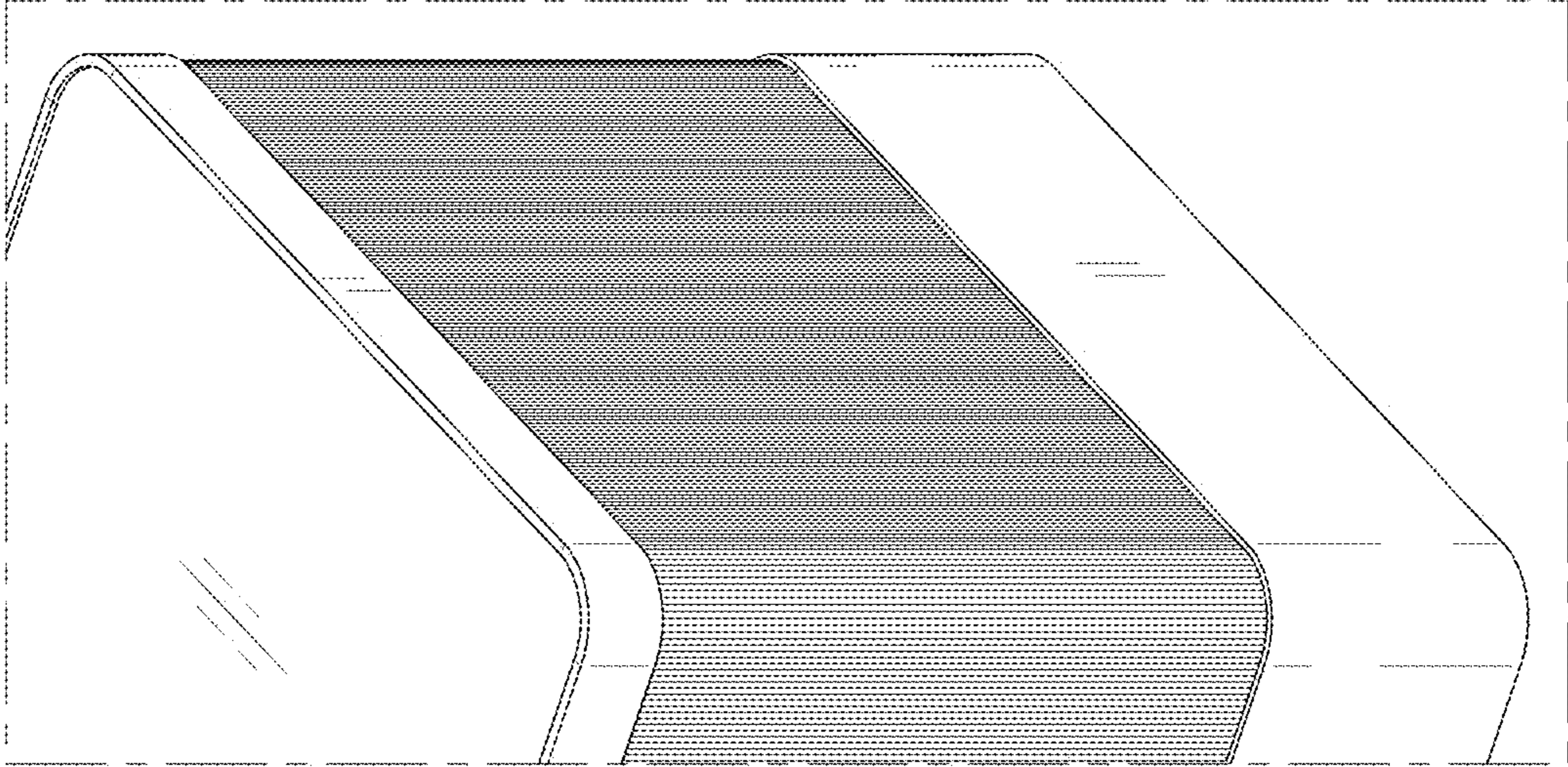


FIG. 16

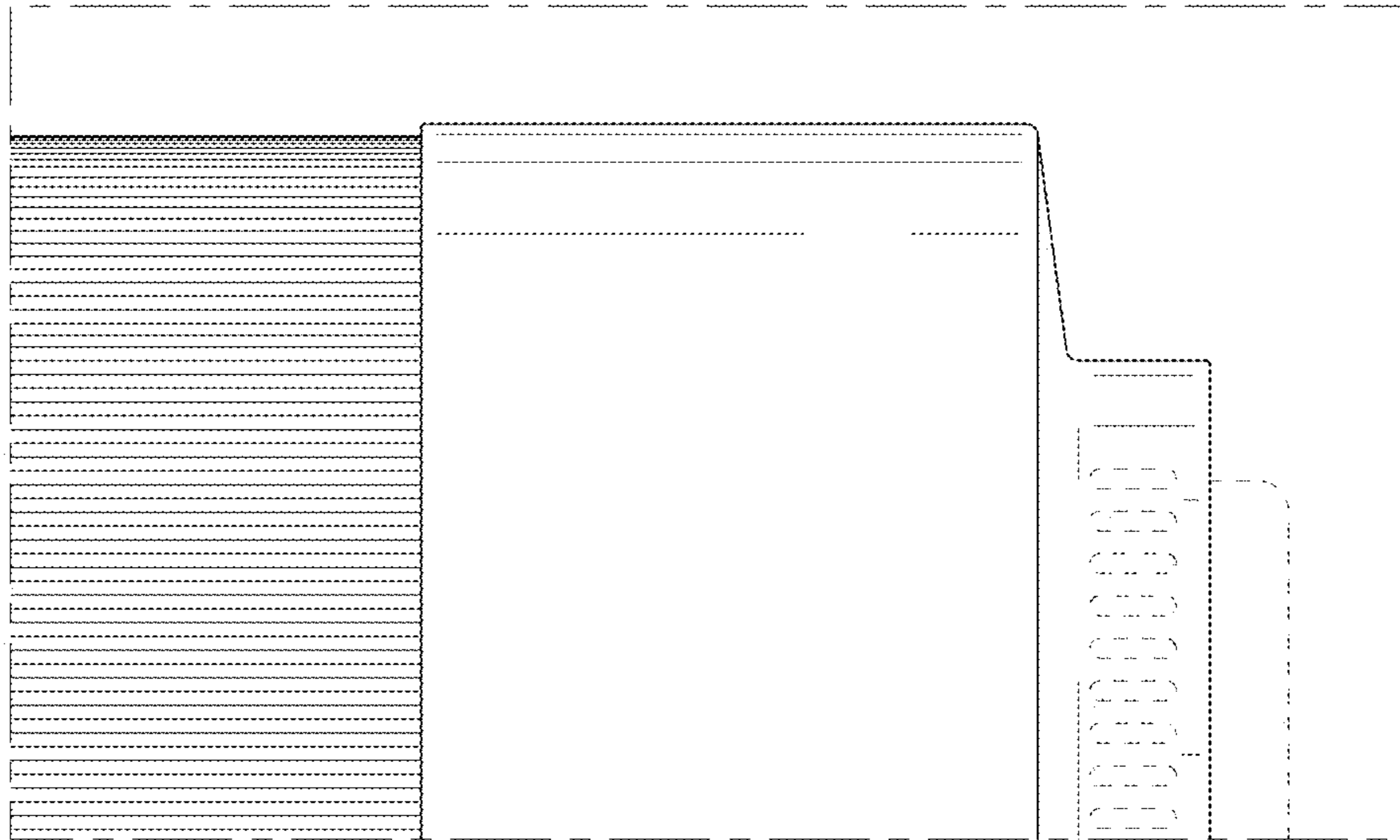


FIG. 17

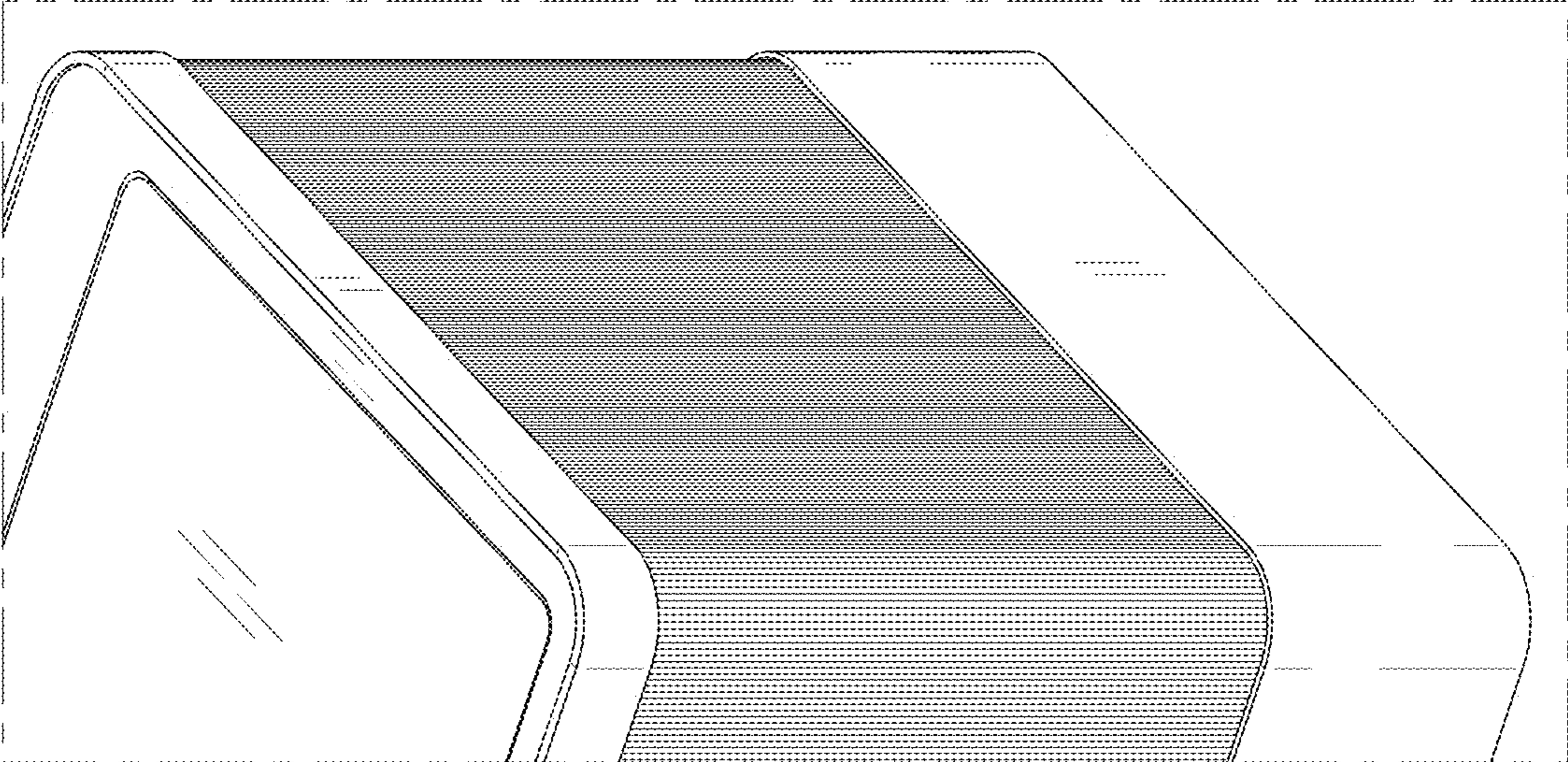


FIG. 18

