

US00D965645S

(12) **United States Design Patent** (10) **Patent No.:** **US D965,645 S**
Bouroullec et al. (45) **Date of Patent:** **** Oct. 4, 2022**

(54) **REFRIGERATOR**

(71) Applicant: **Samsung Electronics Co., Ltd.**,
Suwon-si (KR)
(72) Inventors: **Erwan Bouroullec**, Paris (FR); **Ronan Bouroullec**, Paris (FR)
(73) Assignee: **Samsung Electronics Co., Ltd.**,
Suwon-si (KR)
(**) Term: **15 Years**
(21) Appl. No.: **29/741,679**
(22) Filed: **Jul. 15, 2020**

(30) **Foreign Application Priority Data**
Jan. 17, 2020 (KR) 30-2020-0002388
(51) **LOC (13) Cl.** **15-07**
(52) **U.S. Cl.**
USPC **D15/81; D6/686**
(58) **Field of Classification Search**
USPC D15/79-91; D6/642, 685, 686; D7/606,
D7/608; D14/204, 212, 215, 216
(Continued)

(56) **References Cited**
U.S. PATENT DOCUMENTS
1,351,097 A * 8/1920 Cook A47B 83/04
312/285
2,638,400 A * 5/1953 Spotts F25D 25/027
312/305
(Continued)

FOREIGN PATENT DOCUMENTS
CN 2017303511145 9/2017
KR 30-2015-0029278 11/2015
(Continued)

OTHER PUBLICATIONS

West Elm, Volume Living Room Collection, (site visited May 5, 2022), West Elm website, URL:<<https://www.westelm.com/products/volume-living-room-collection-h6371/>> (Year: 2022).*
(Continued)

Primary Examiner — Calvin E Vansant
Assistant Examiner — Mark T. Philipps
(74) *Attorney, Agent, or Firm* — NSIP Law

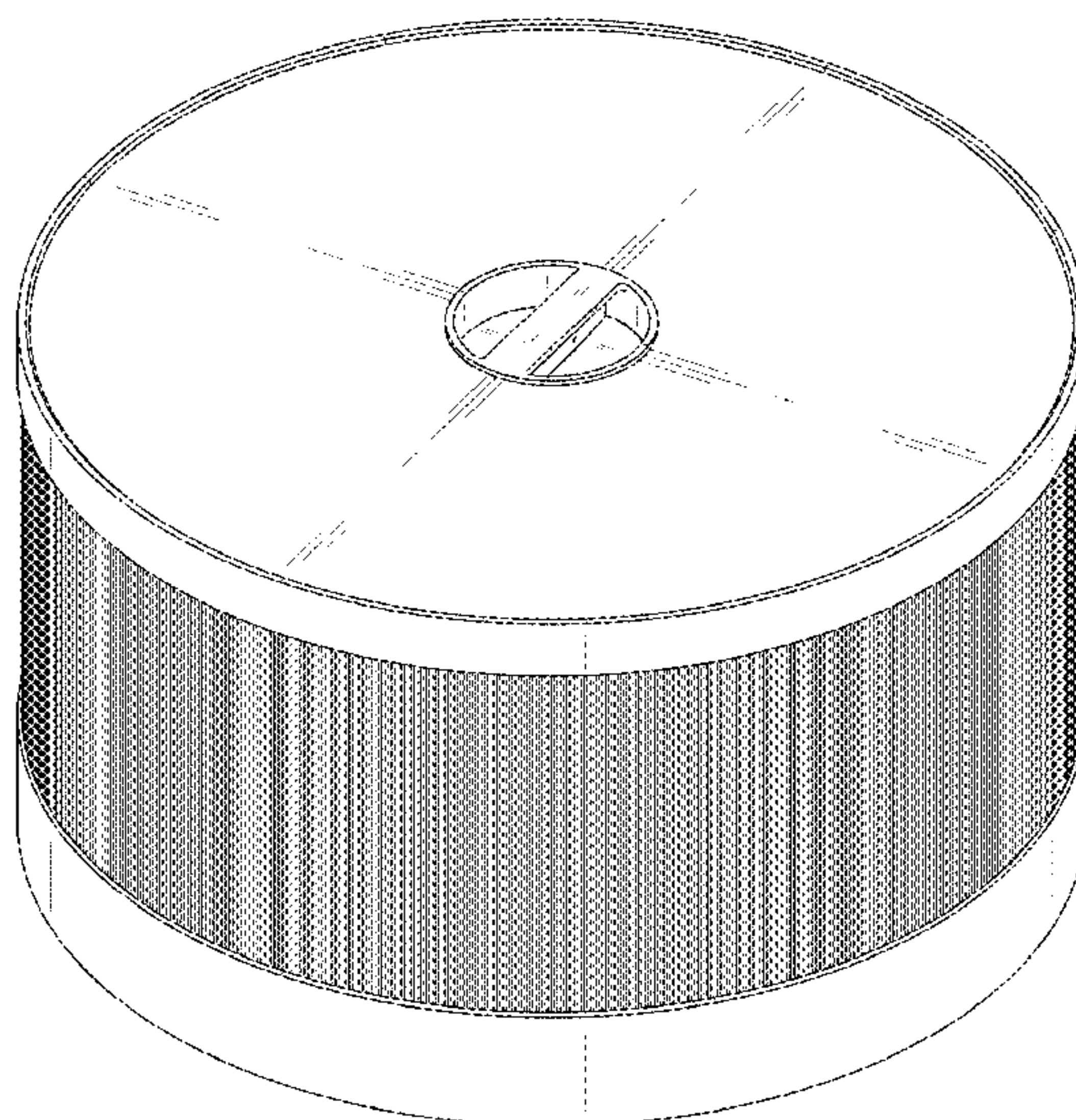
(57) **CLAIM**

We claim the ornamental design for a refrigerator, as shown and described.

DESCRIPTION

FIG. 1 is a front perspective view of a refrigerator showing our new design;
FIG. 2 is a front view thereof;
FIG. 3 is a rear view thereof;
FIG. 4 is a left-side view thereof;
FIG. 5 is a right-side view thereof;
FIG. 6 is a top view thereof;
FIG. 7 is a bottom view thereof; and,
FIG. 8 is a cross-sectional view thereof taken through line 8-8 in FIG. 2;
FIG. 9 is a cross-sectional view thereof taken through line 9-9 in FIG. 6;
FIG. 10 is an enlarged view of the encircled portion in FIG. 4;
FIG. 11 is an enlarged view of the encircled portion in FIG. 8; and,
FIG. 12 is another front perspective view thereof in which the example legs are visible.
The evenly-dashed broken lines in the figures depict portions of the refrigerator which form no part of the claimed design.
The dot-dash broken lines encircling portions of the claimed design that are illustrated in enlargements form no part of the claimed design.

1 Claim, 12 Drawing Sheets



(58) **Field of Classification Search**

CPC F25D 11/00; F25D 11/02; F25D 11/025;
 F25D 2323/021; F25D 2323/024; F25D
 2325/021; F25D 25/02; F25D 25/024;
 F25D 25/025; A47F 3/04; A47F 3/0404

See application file for complete search history.

FOREIGN PATENT DOCUMENTS

| | | |
|----|-----------------|--------|
| KR | 30-2018-0020634 | 3/2019 |
| KR | 30-2017-0062008 | 9/2019 |

OTHER PUBLICATIONS

(56)

References Cited

U.S. PATENT DOCUMENTS

| | | | | | | |
|----------|---|---|---------|---------|-------|----------|
| D540,424 | S | * | 4/2007 | Kirar | | D23/213 |
| D546,590 | S | * | 7/2007 | Frinier | | D6/692.3 |
| D681,073 | S | | 4/2013 | Kilduff | | |
| D772,588 | S | * | 11/2016 | Kim | | D6/337 |
| D821,785 | S | * | 7/2018 | Naimo | | D6/610 |
| D840,165 | S | * | 2/2019 | Tham | | D6/381 |
| D870,499 | S | * | 12/2019 | Aubry | | D6/692.3 |
| D870,705 | S | * | 12/2019 | Lee | | D14/216 |
| D902,991 | S | * | 11/2020 | Tivnon | | D18/50 |
| D920,021 | S | * | 5/2021 | Ben-Avi | | D6/686 |
| D927,905 | S | * | 8/2021 | Huang | | D6/692 |
| D939,471 | S | * | 12/2021 | Chen | | D14/216 |
| D948,255 | S | * | 4/2022 | Ben-Avi | | D6/686 |

Monika Thakur, Coosno Smart Coffee Table with Voice-Controlled Refrigerator, (Published Jul. 22, 2019), HomeCrux.com, URL:<<https://www.homecrux.com/coosno-smart-coffee-table/127748/>> (Year: 2019).*

Arhaus, Finnley Round Coffee Table, (site visited May 5, 2022), Arhaus.com, URL:<<https://www.arhaus.com/products/finnley-round-coffee-table?variant=41718965731499>> (Year: 2022).*

Poly & Bark, Deja 35" Round Coffee Table, (site visited May 5, 2022), Poly and Bark website, URL:<<https://www.polyandbark.com/products/deja-35-round-coffee-table?variant=39379995164745>> (Year: 2022).*

* cited by examiner

FIG. 1

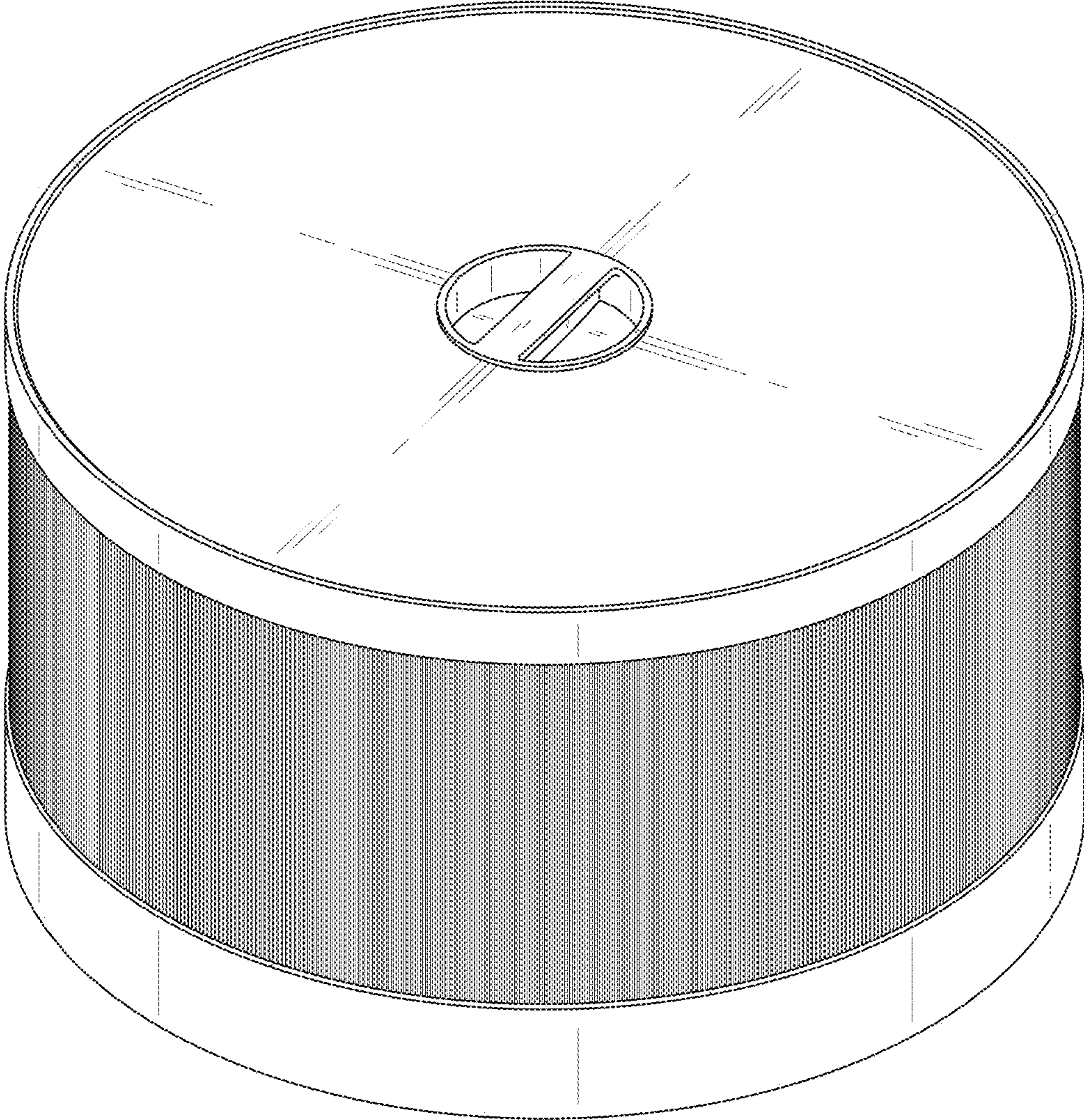


FIG. 2

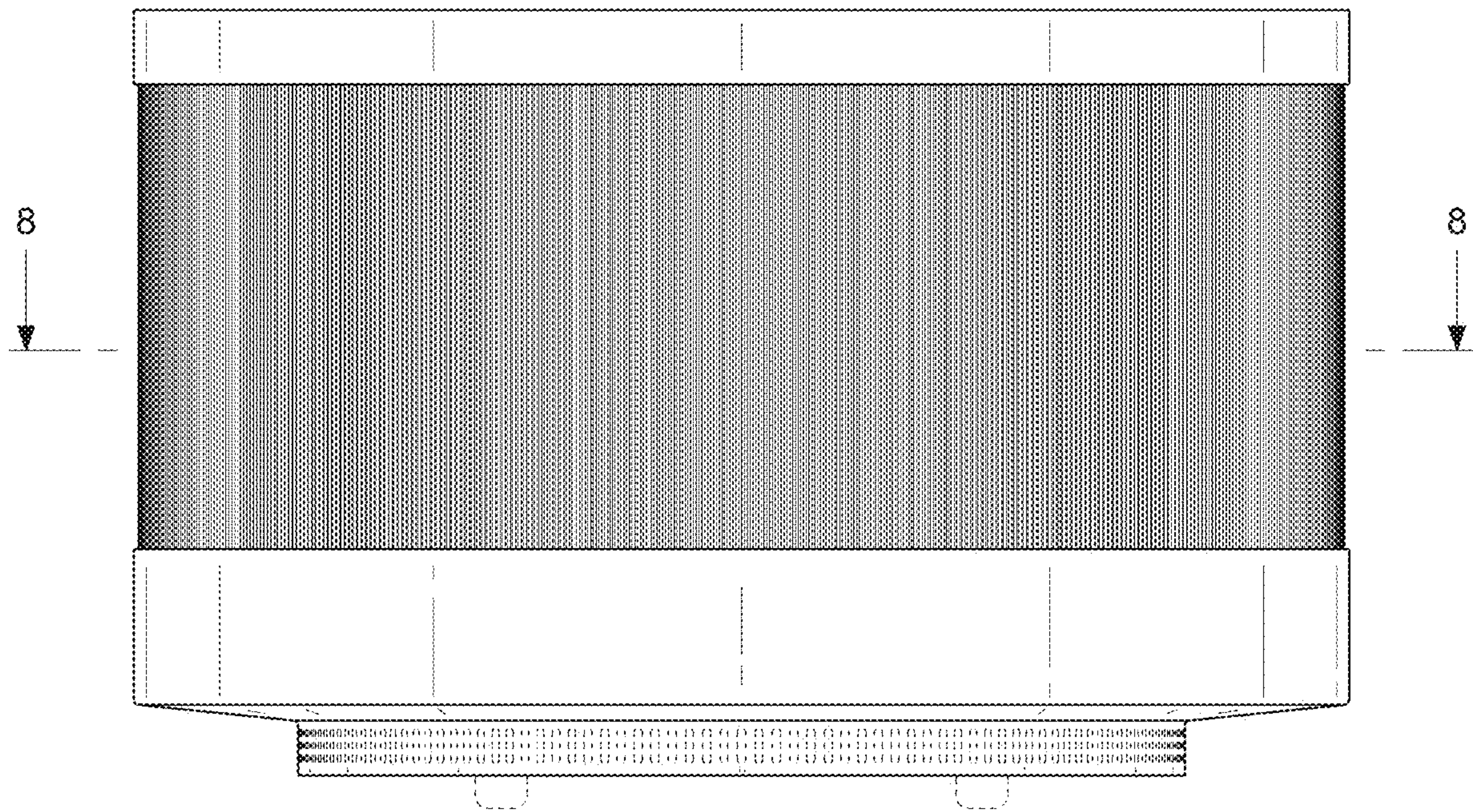


FIG. 3

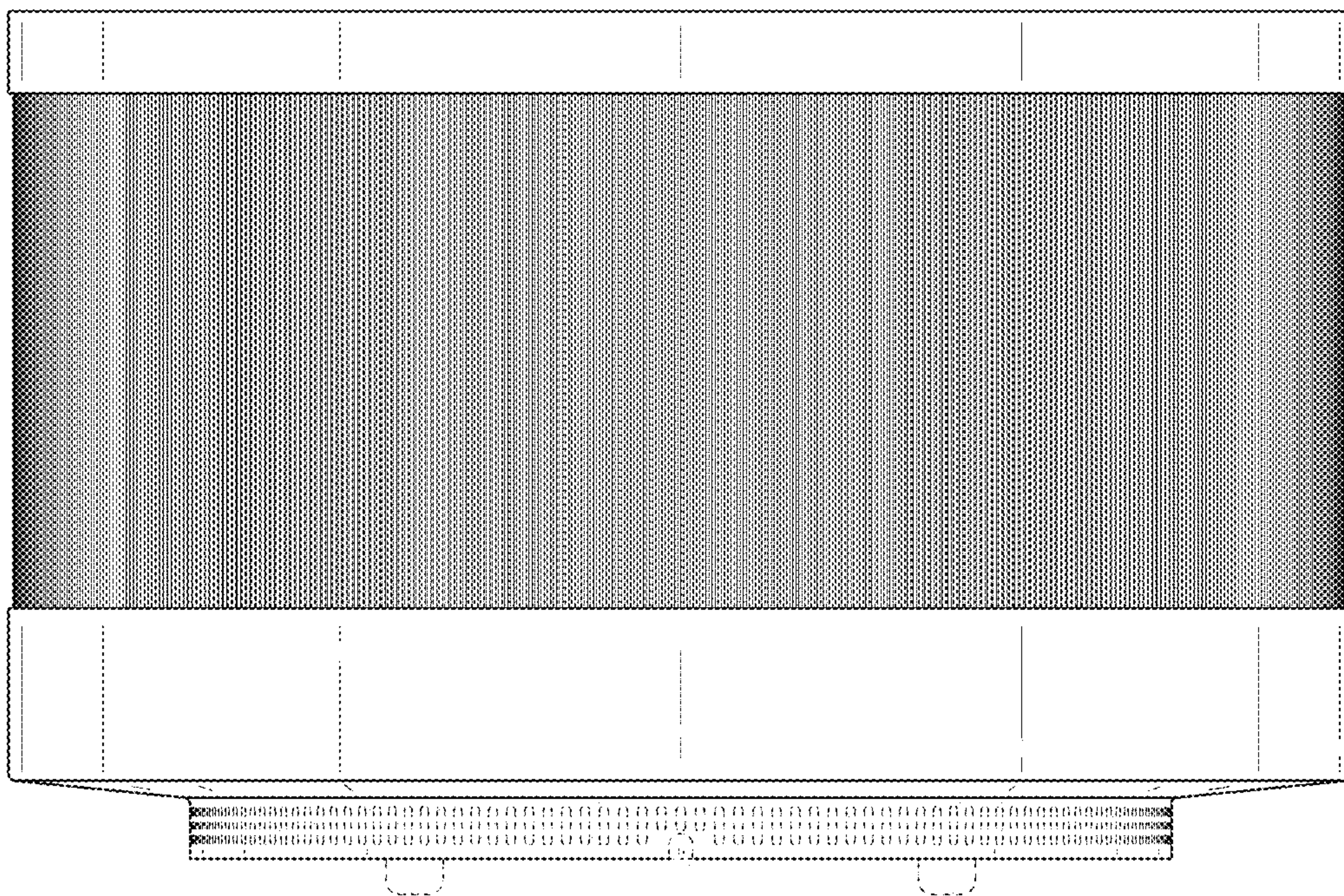


FIG. 4

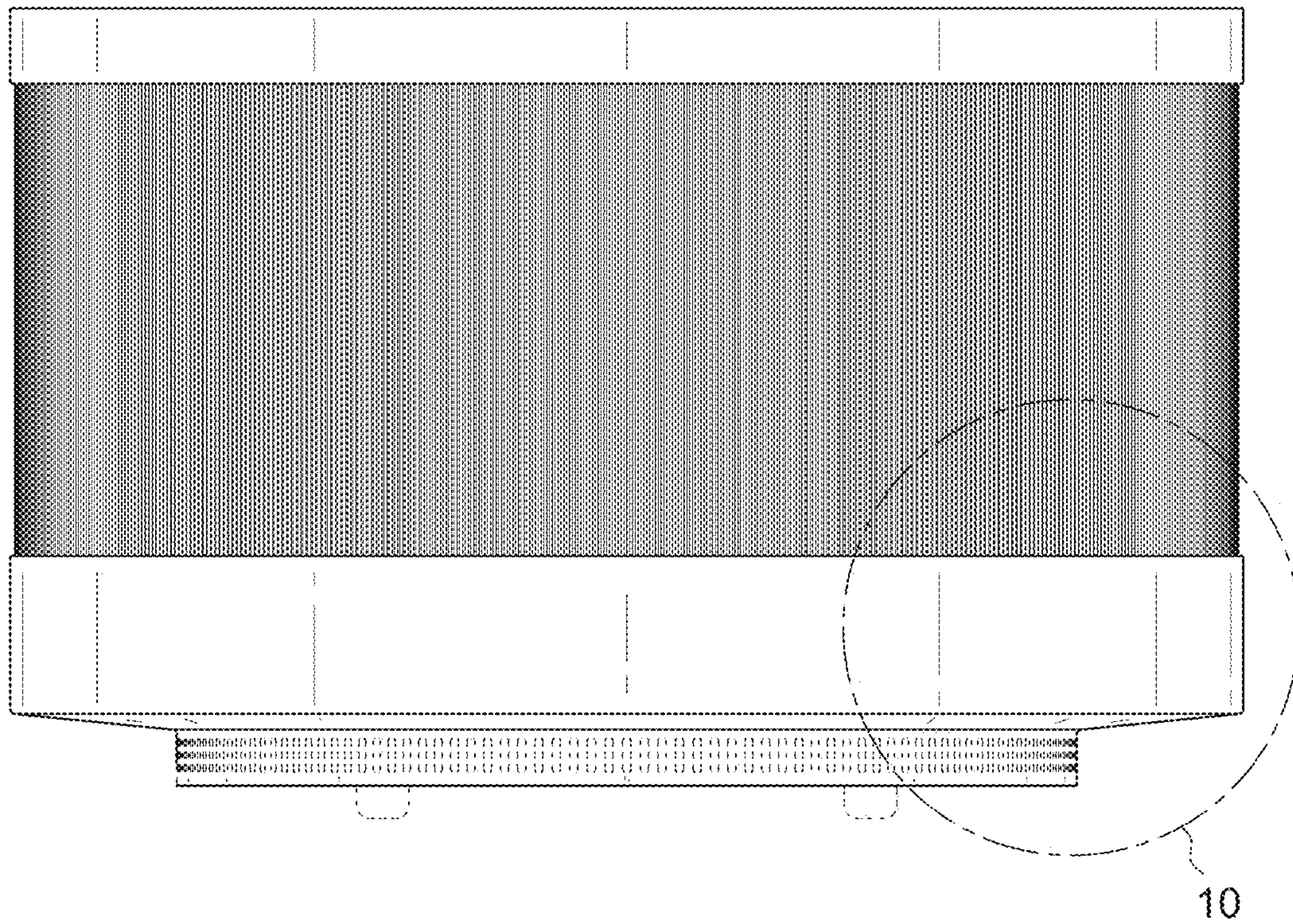


FIG. 5

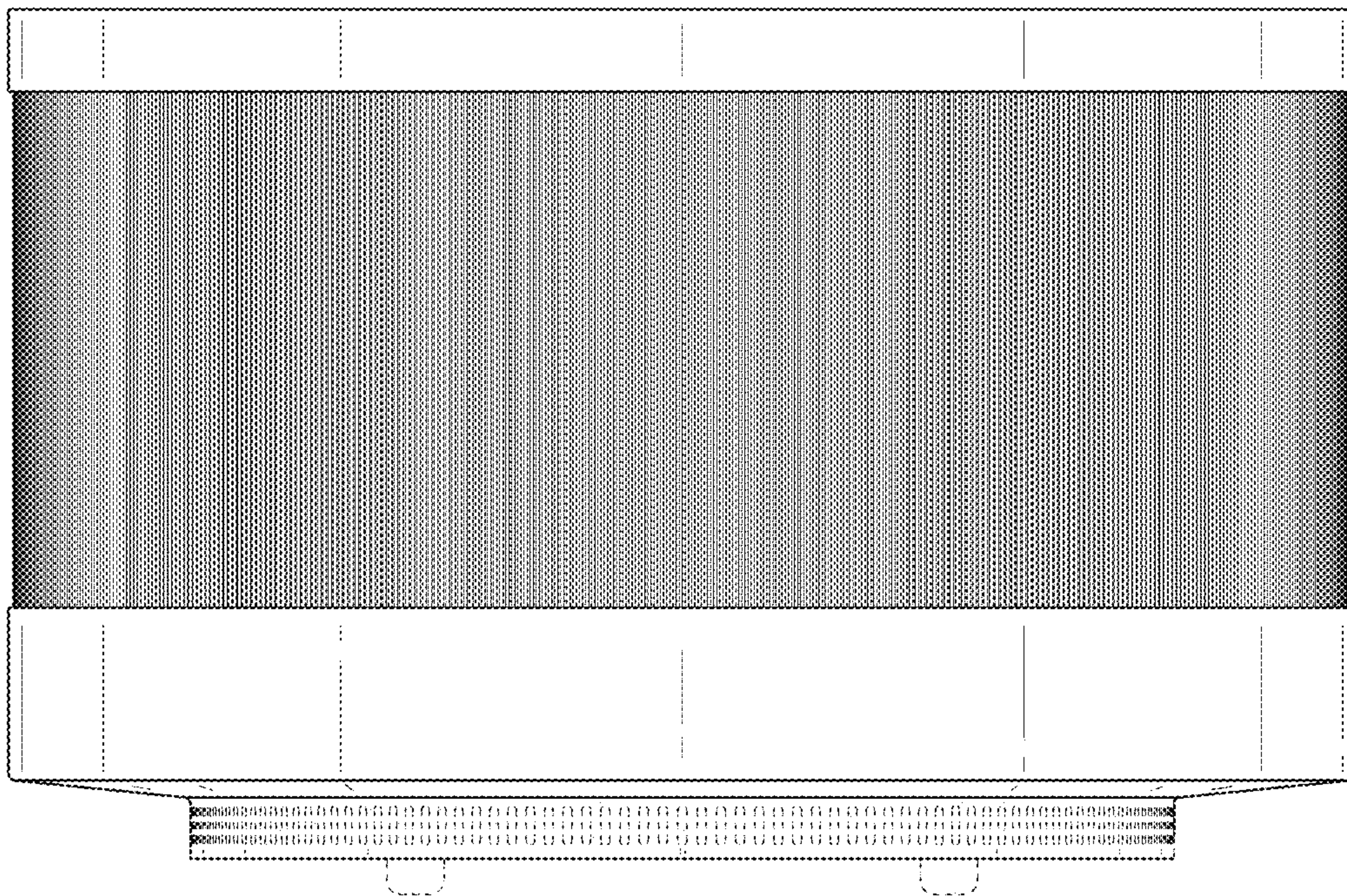


FIG. 6

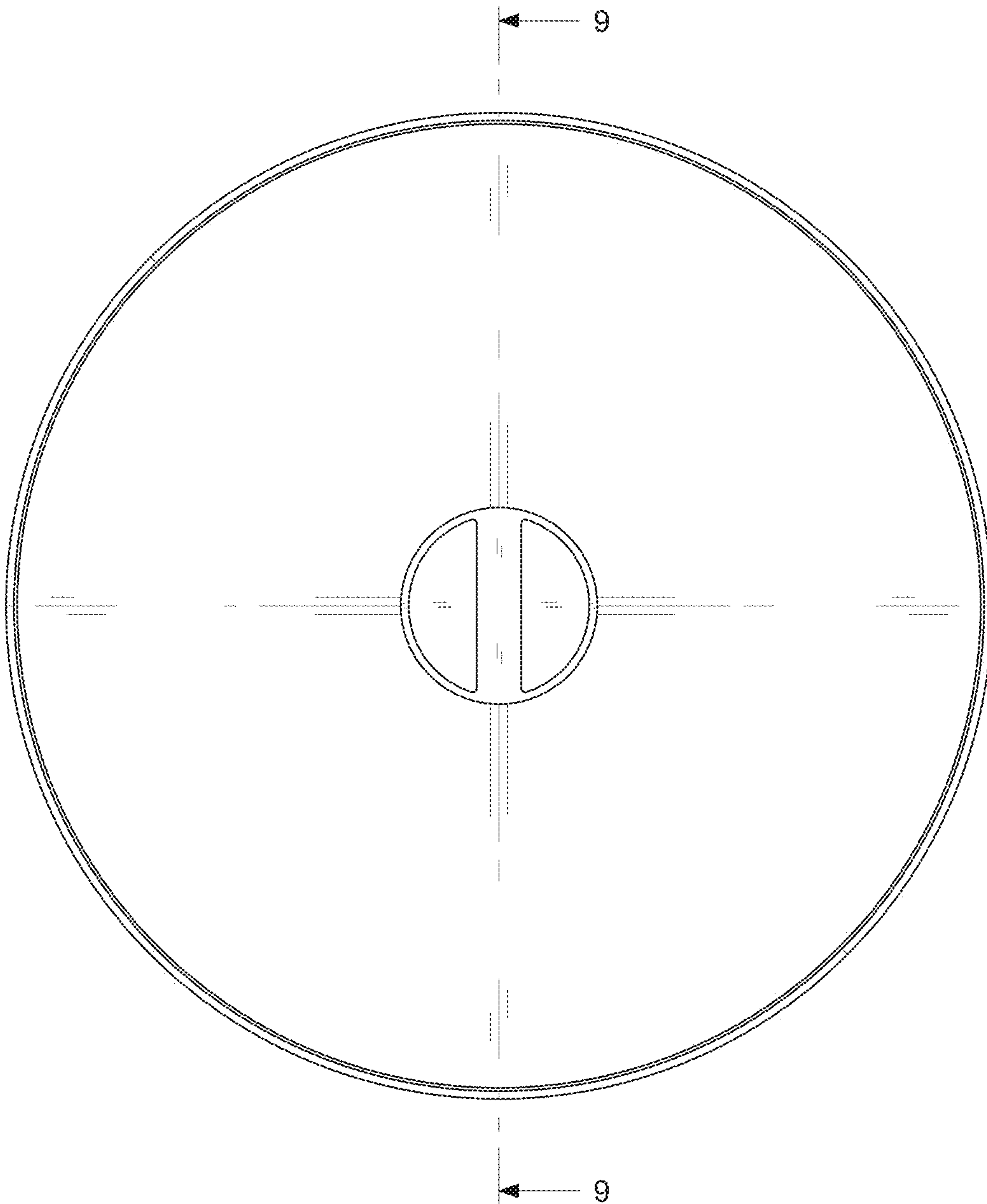


FIG. 7

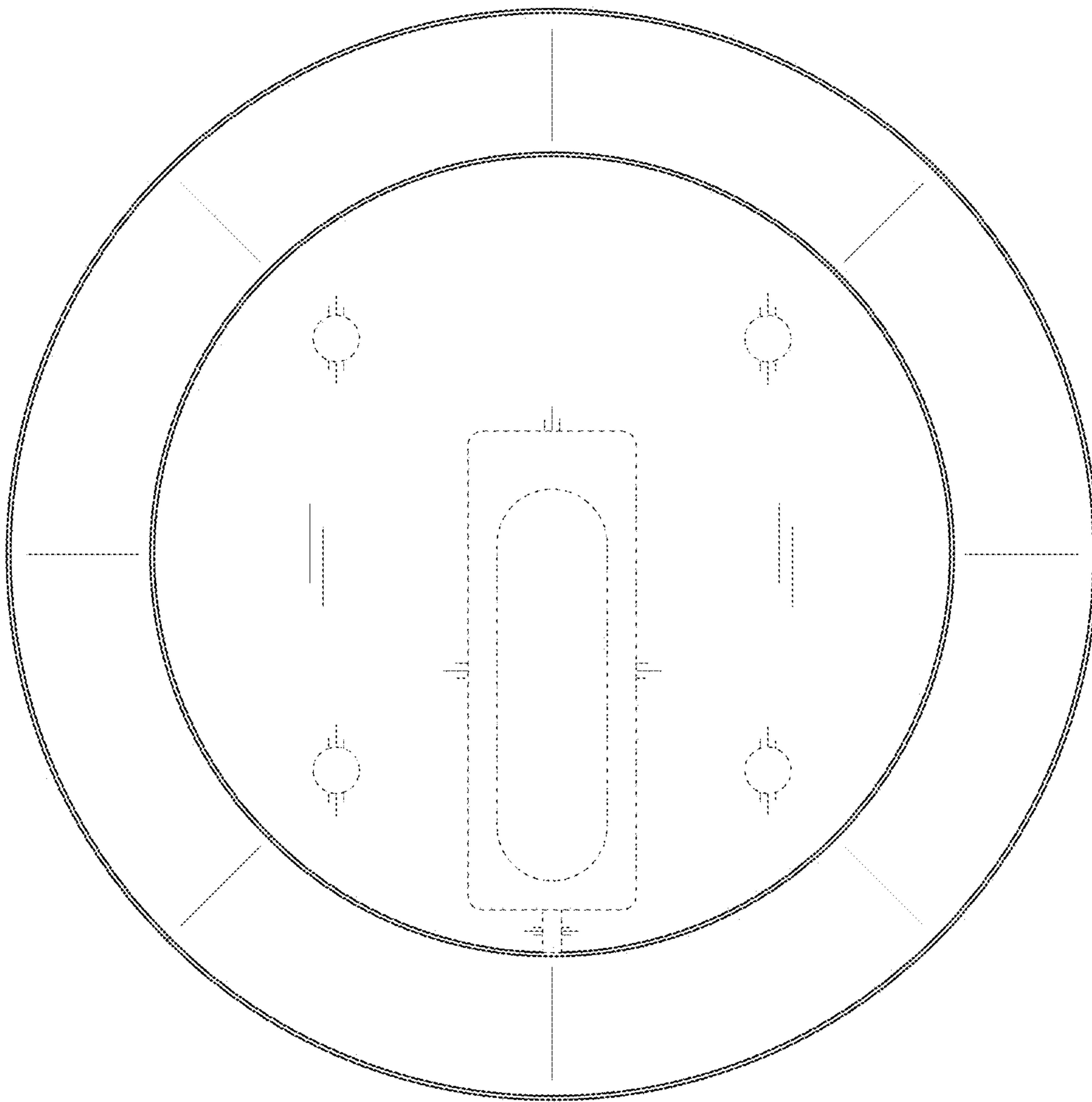


FIG. 8

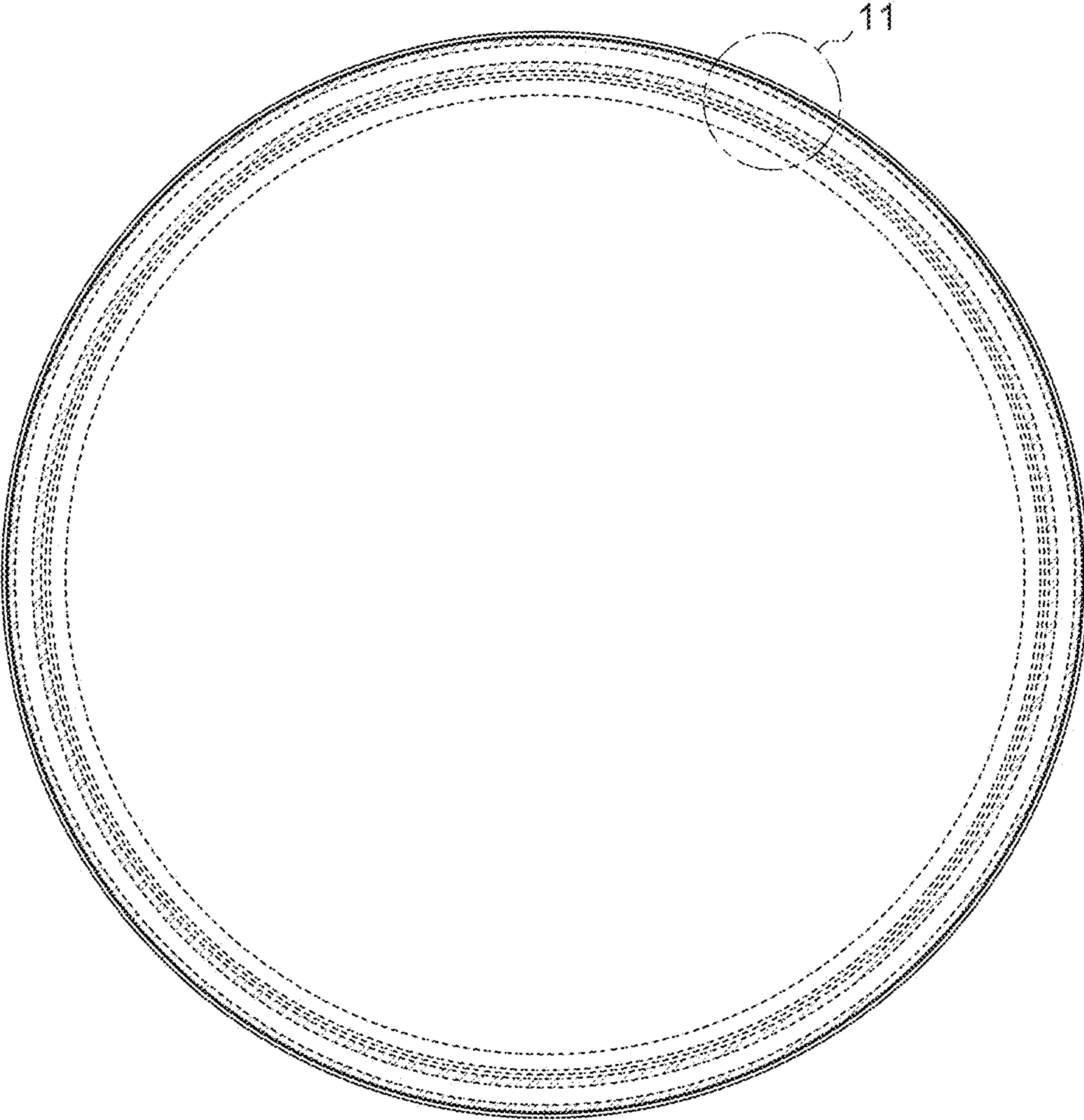


FIG. 9

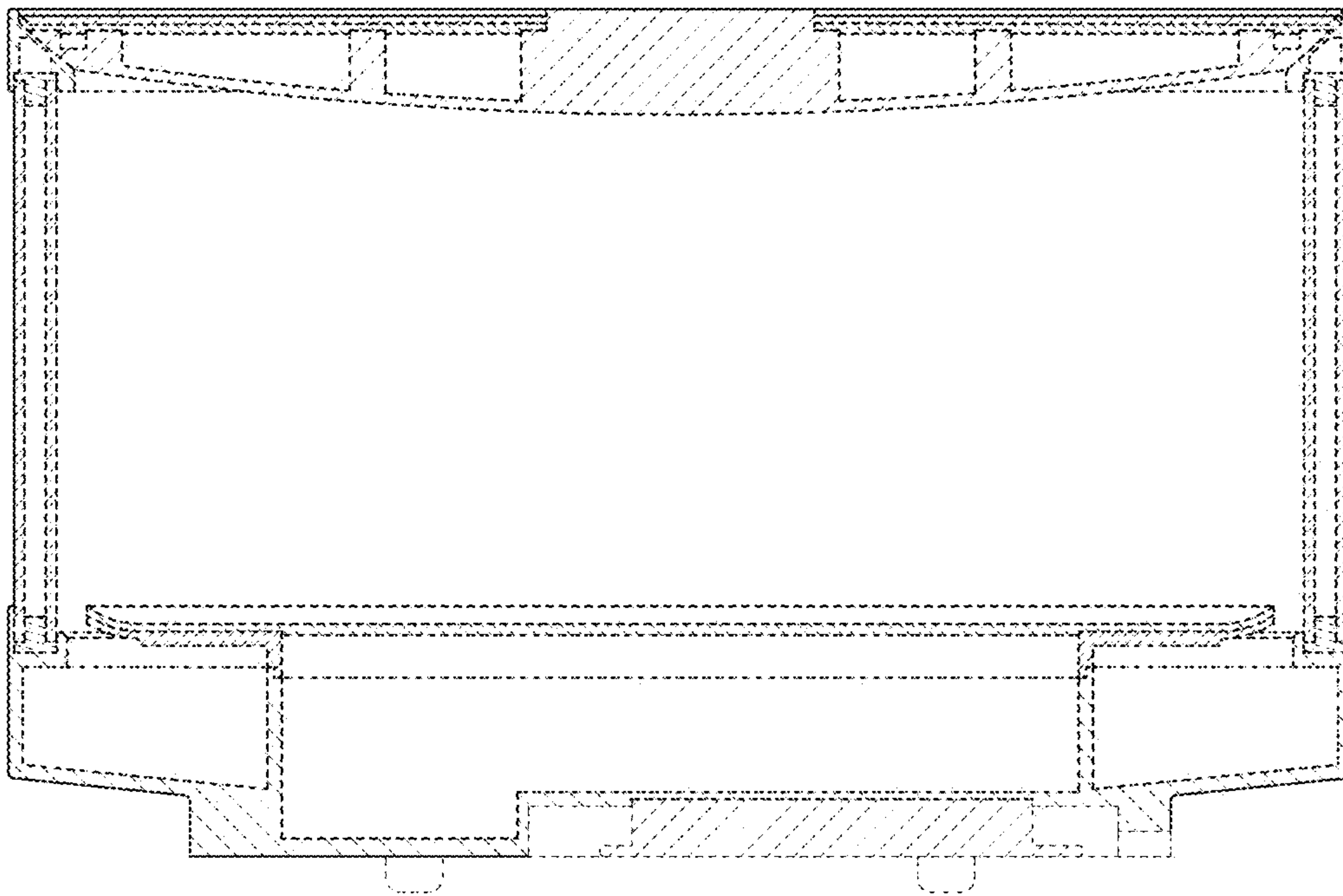


FIG. 10

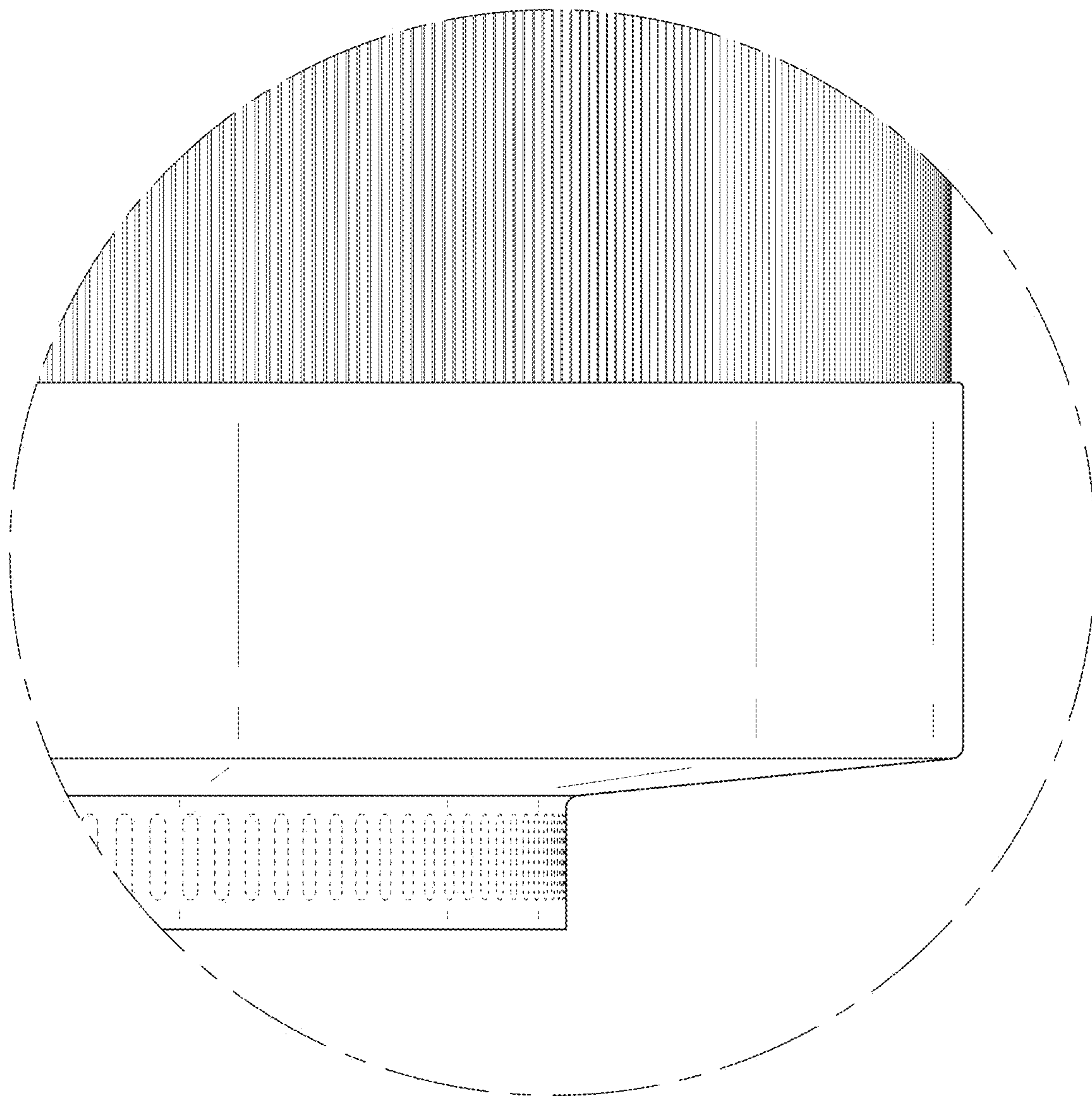


FIG. 11

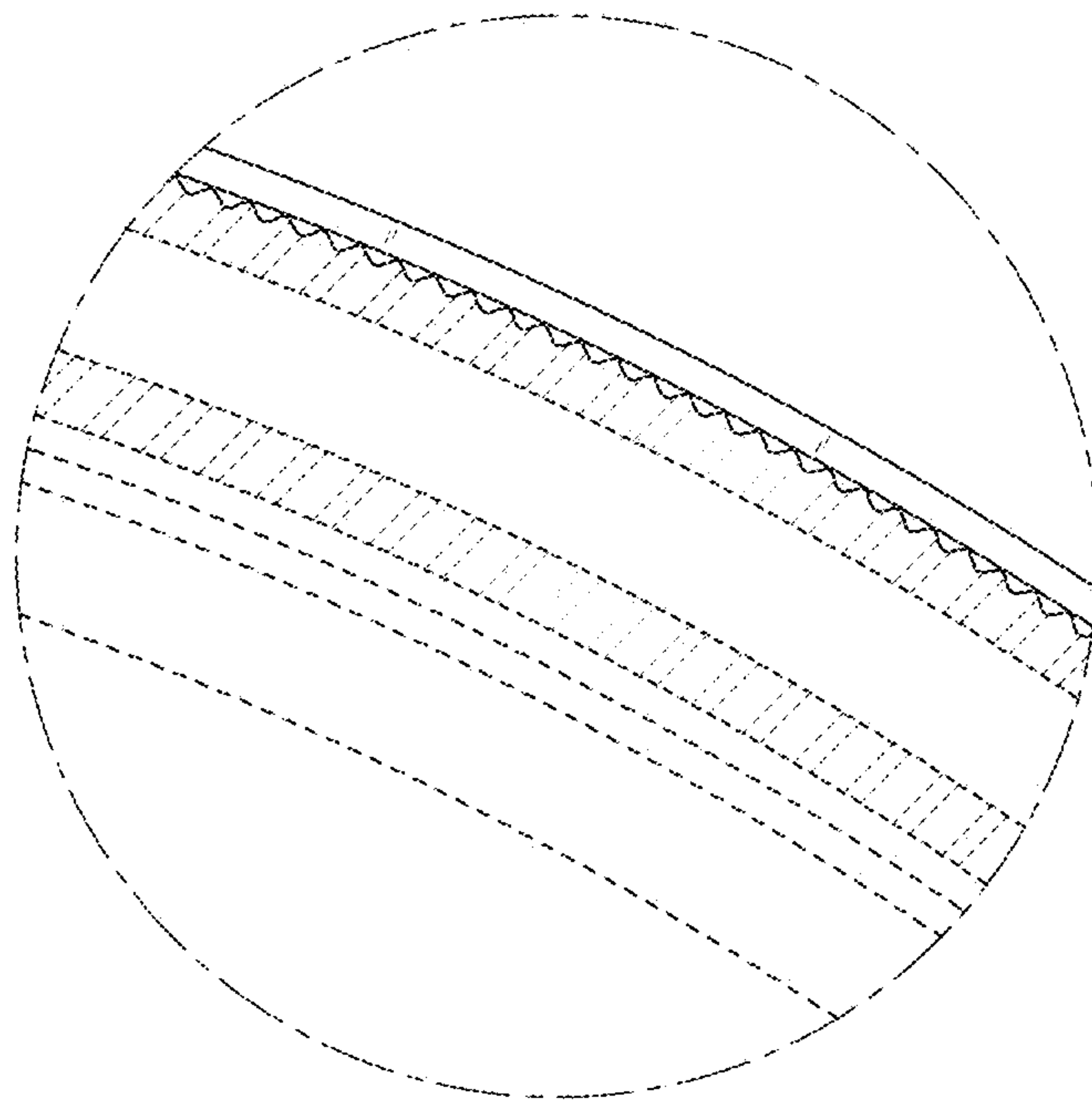


FIG. 12

