



US00D965644S

(12) **United States Design Patent**  
**Lee et al.**

(10) **Patent No.:** **US D965,644 S**  
(45) **Date of Patent:** **\*\* Oct. 4, 2022**

- (54) **REFRIGERATOR**
- (71) Applicant: **Samsung Electronics Co., Ltd.**,  
Suwon-si (KR)
- (72) Inventors: **Junkyo Lee**, Suwon-si (KR); **Hyeongju Seo**, Suwon-si (KR)
- (73) Assignee: **Samsung Electronics Co., Ltd.**,  
Suwon-si (KR)
- (\*\*) Term: **15 Years**
- (21) Appl. No.: **29/698,901**
- (22) Filed: **Jul. 22, 2019**

D821,457 S *	6/2018	Kim	.....	D15/79
D893,556 S *	8/2020	Giulietti	.....	D15/79
D907,073 S *	1/2021	Liu	.....	D15/79
D911,077 S *	2/2021	Kim	.....	A47B 77/04 D6/660
D935,492 S *	11/2021	Seo	.....	D15/79
D949,213 S *	4/2022	Kang	.....	D15/79
D949,214 S *	4/2022	Kang	.....	D15/79

- (30) **Foreign Application Priority Data**  
Jan. 21, 2019 (KR) ..... 30-2019-0003003
- (51) **LOC (13) Cl.** ..... **15-07**
- (52) **U.S. Cl.**  
USPC ..... **D15/79**
- (58) **Field of Classification Search**  
USPC ..... D15/79-91; D6/663, 664, 667, 668,  
D6/668.1, 668.2, 669, 671, 671.1, 705  
See application file for complete search history.

**FOREIGN PATENT DOCUMENTS**

CN	201830067820	6/2018
CN	201830185616	9/2018
CN	201830105878	10/2018
EM	002443796-0013	4/2014
EM	004371128-0001	9/2017

\* cited by examiner

*Primary Examiner* — Khawaja Anwar  
(74) *Attorney, Agent, or Firm* — NSIP Law

(57) **CLAIM**

We claim the ornamental design for a refrigerator, as shown and described.

**DESCRIPTION**

FIG. 1 is a front perspective view of a refrigerator showing our new design;  
FIG. 2 is a front view thereof;  
FIG. 3 is a rear view thereof;  
FIG. 4 is a left-side view thereof;  
FIG. 5 is a right-side view thereof;  
FIG. 6 is a top view thereof; and,  
FIG. 7 is a bottom view thereof.  
The broken lines in the figures depict portions of the refrigerator which form no part of the claimed design.

**1 Claim, 6 Drawing Sheets**

- (56) **References Cited**  
**U.S. PATENT DOCUMENTS**  
D690,742 S \* 10/2013 Sussman ..... D15/81  
D702,265 S \* 4/2014 Iovanel ..... D15/85  
D702,267 S \* 4/2014 Iovanel ..... D15/86  
D712,439 S \* 9/2014 Iovanel ..... D15/86  
D802,030 S \* 11/2017 Thuma ..... D15/81  
D817,366 S \* 5/2018 Kim ..... D15/79

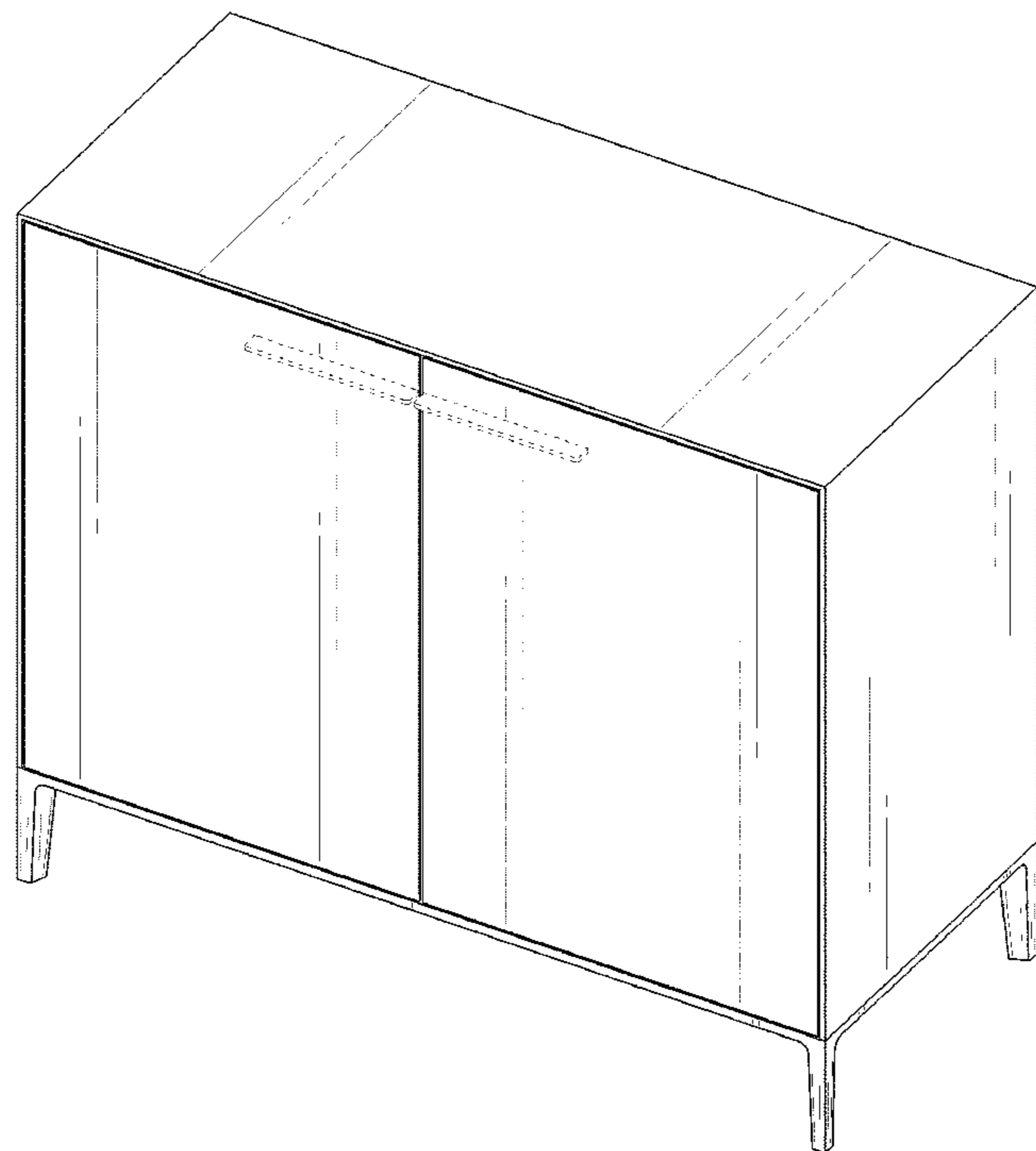


FIG. 1

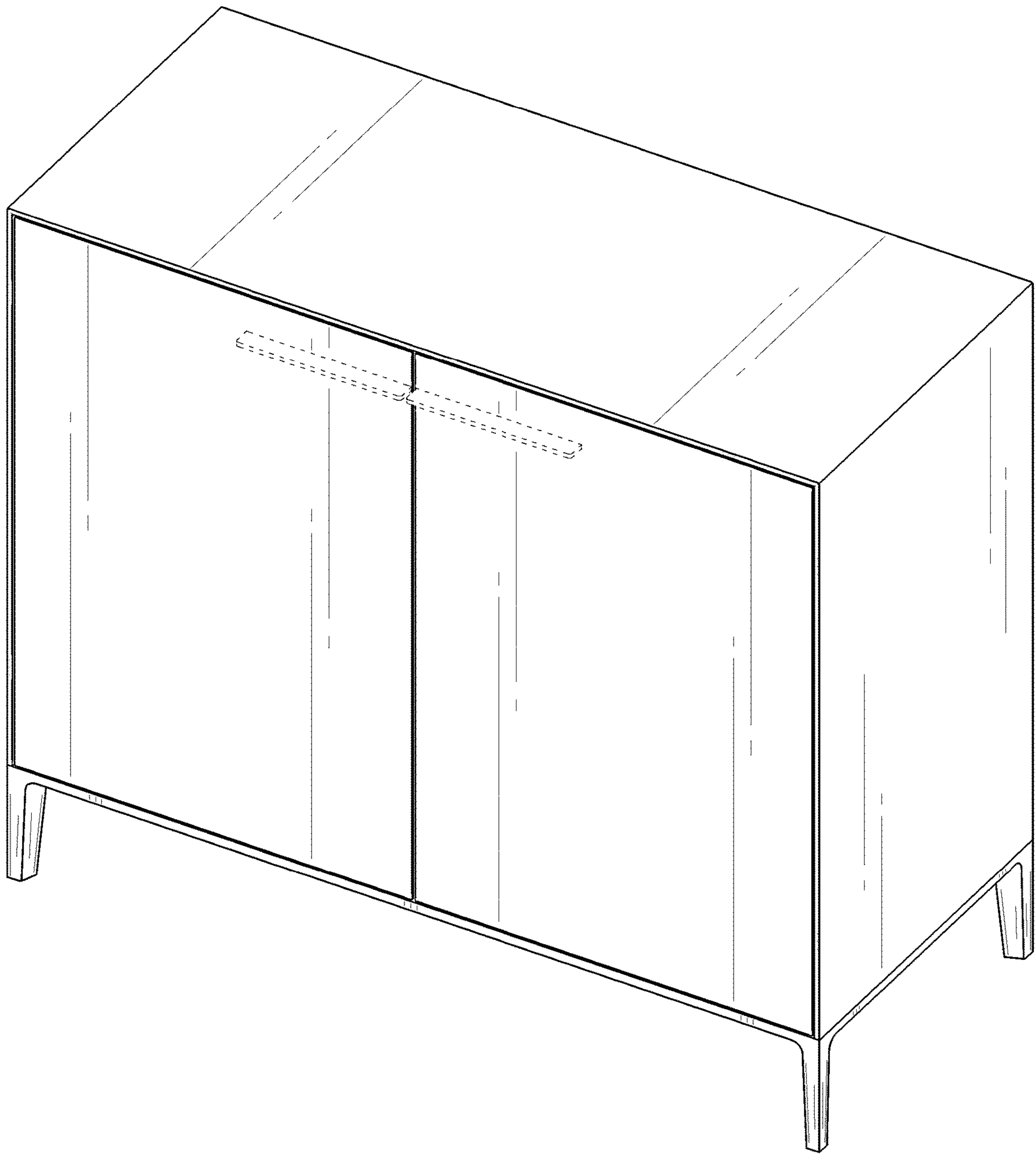


FIG. 2

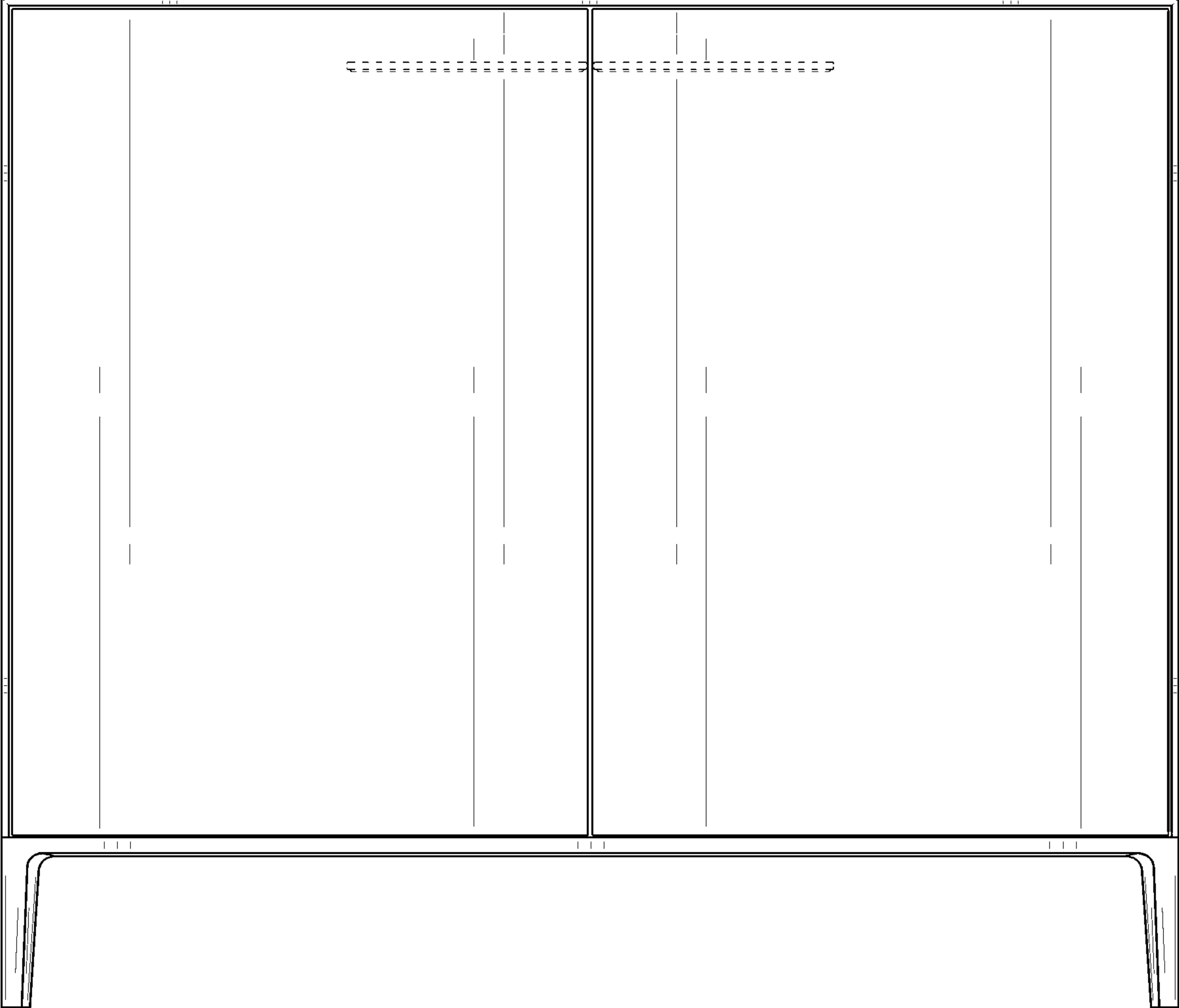


FIG. 3

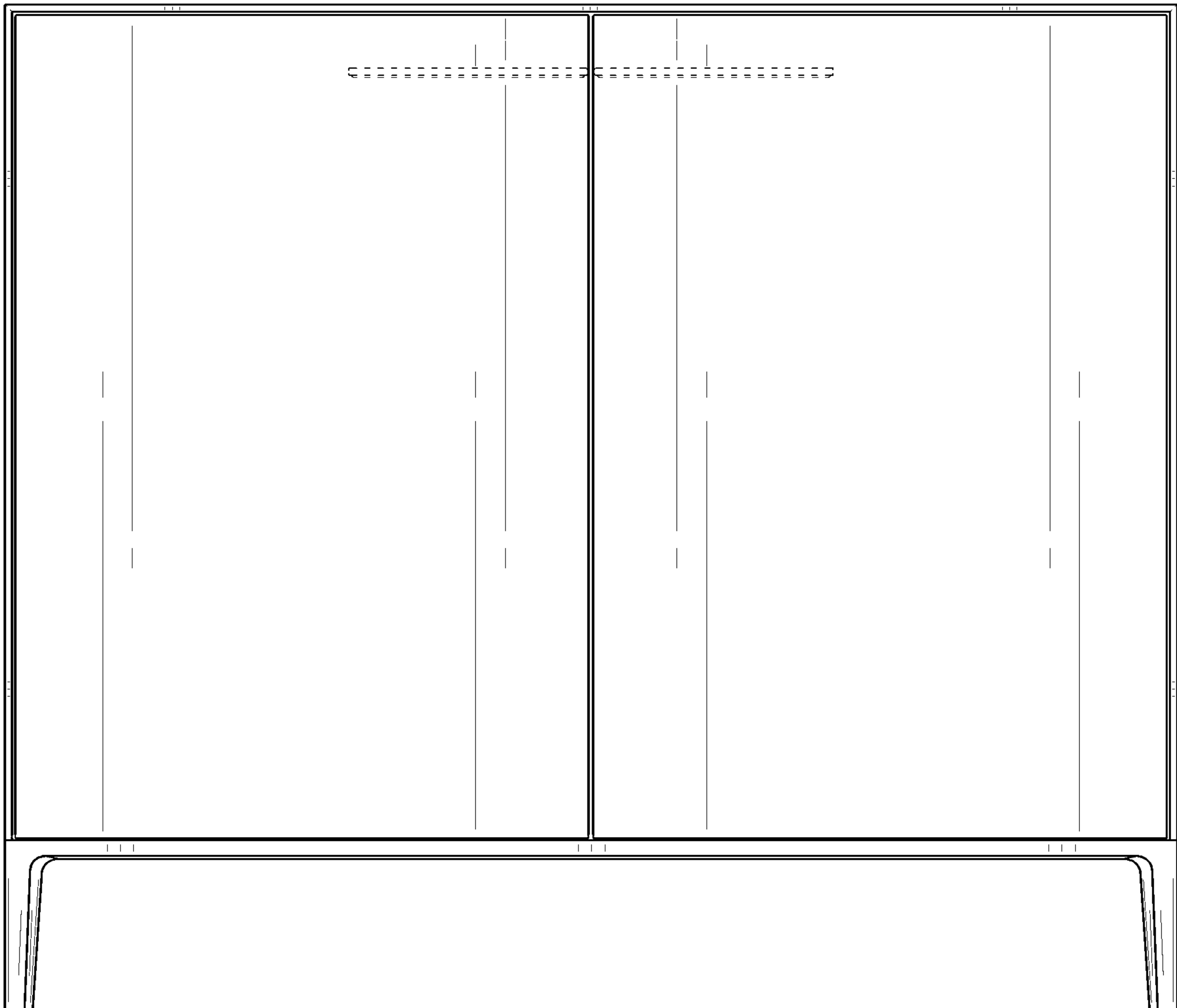


FIG. 4

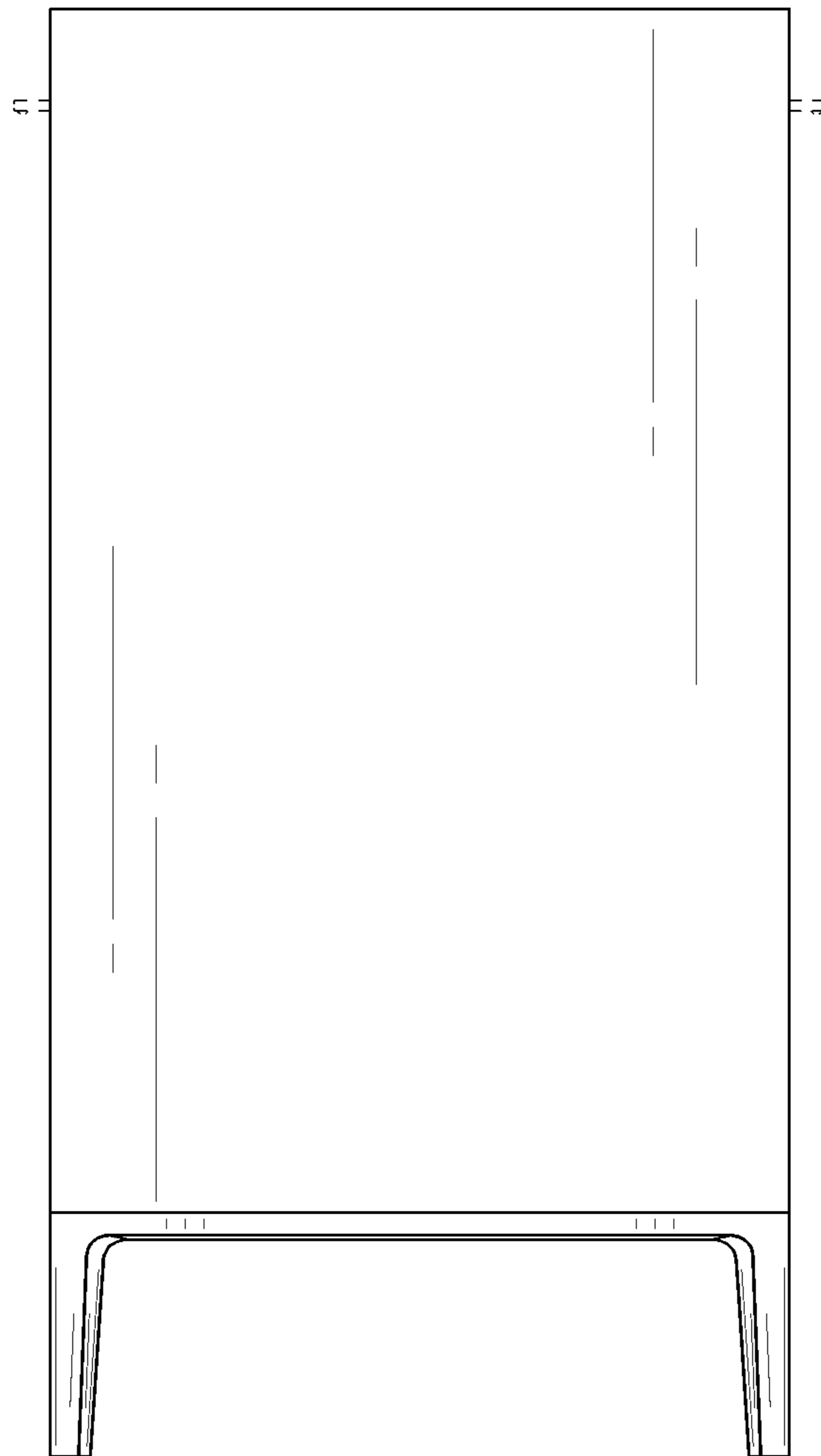


FIG. 5

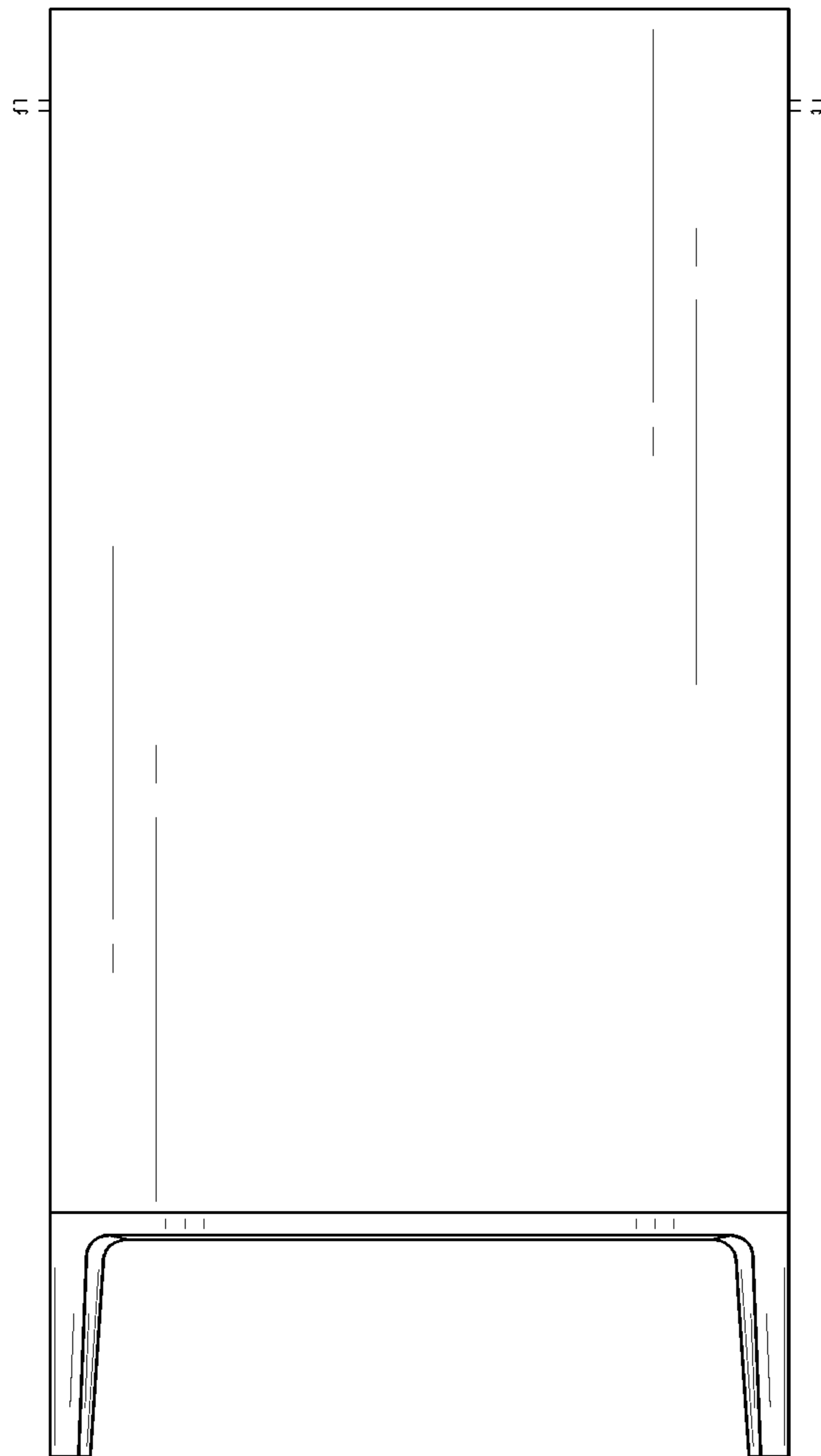


FIG. 6

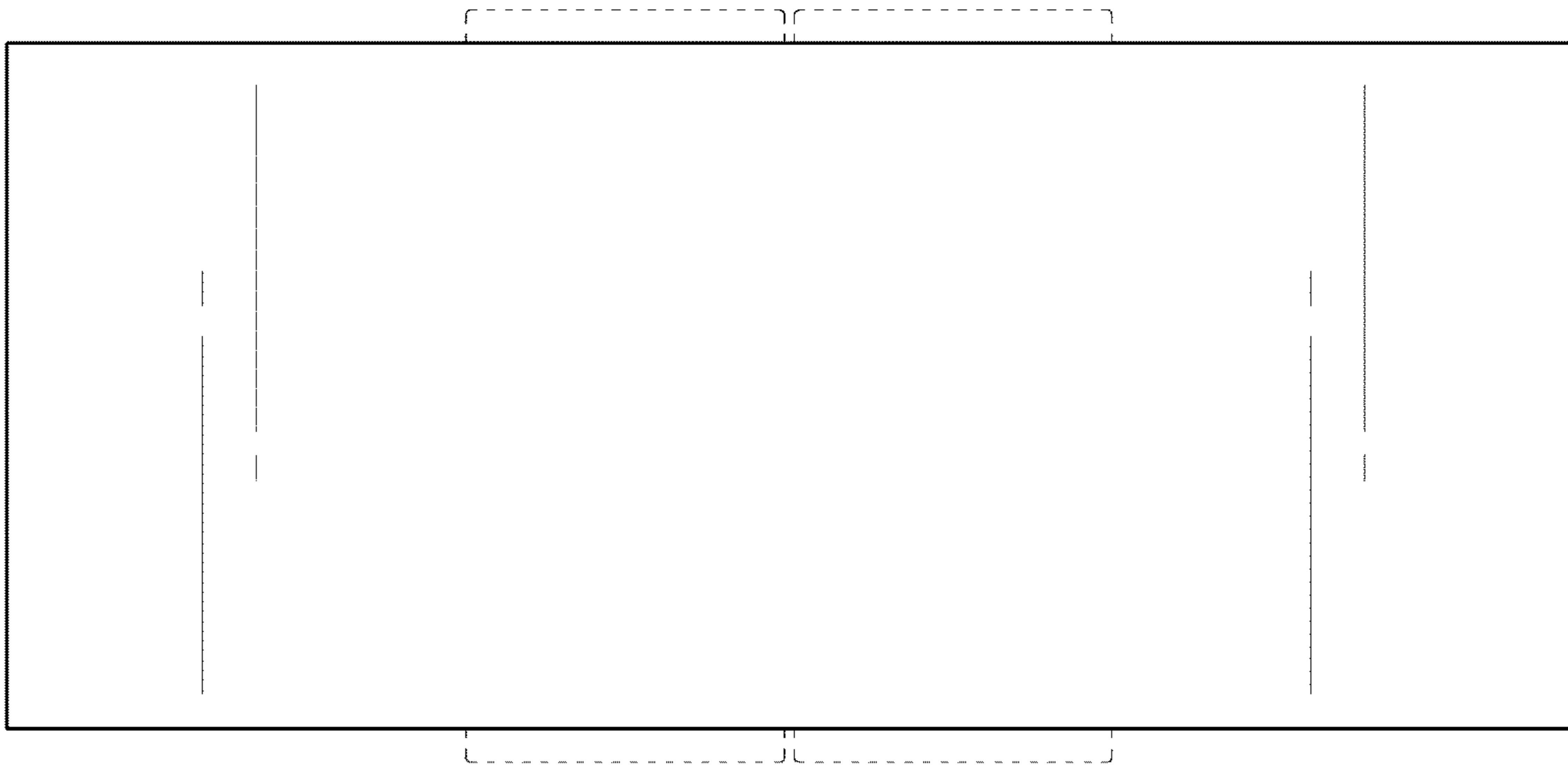


FIG. 7

