



US00D965643S

(12) **United States Design Patent**
Wilkey

(10) **Patent No.:** **US D965,643 S**

(45) **Date of Patent:** **** *Oct. 4, 2022**

(54) **TRACK PAD**

(71) Applicant: **Richard Edward Wilkey**, Watertown, WI (US)

(72) Inventor: **Richard Edward Wilkey**, Watertown, WI (US)

(*) Notice: This patent is subject to a terminal disclaimer.

(**) Term: **15 Years**

(21) Appl. No.: **29/763,138**

(22) Filed: **Dec. 21, 2020**

(51) **LOC (13) Cl.** **15-03**

(52) **U.S. Cl.**
USPC **D15/28**

(58) **Field of Classification Search**
USPC D15/28, 22-26, 10
CPC B62D 55/20; B62D 55/202; B62D 55/28;
B62D 55/205; B62D 55/26; B62D 55/12
See application file for complete search history.

(56) **References Cited**

U.S. PATENT DOCUMENTS

D462,366 S * 9/2002 Lagsdin D15/28
D660,877 S * 5/2012 Caron D15/28

D660,878 S * 5/2012 Caron D15/28
D712,937 S * 9/2014 Wennerborn D15/28
D737,338 S * 8/2015 Kolb D15/28
D748,153 S * 1/2016 Colwell D15/28
D760,303 S * 6/2016 Choi D15/28
D761,328 S * 7/2016 Choi D15/28
D761,330 S * 7/2016 Choi D15/28
D855,662 S * 8/2019 Hakes D15/28
D882,643 S * 4/2020 Hakes D15/28

* cited by examiner

Primary Examiner — Mark A Goodwin

(74) *Attorney, Agent, or Firm* — von Briesen & Roper, s.c.

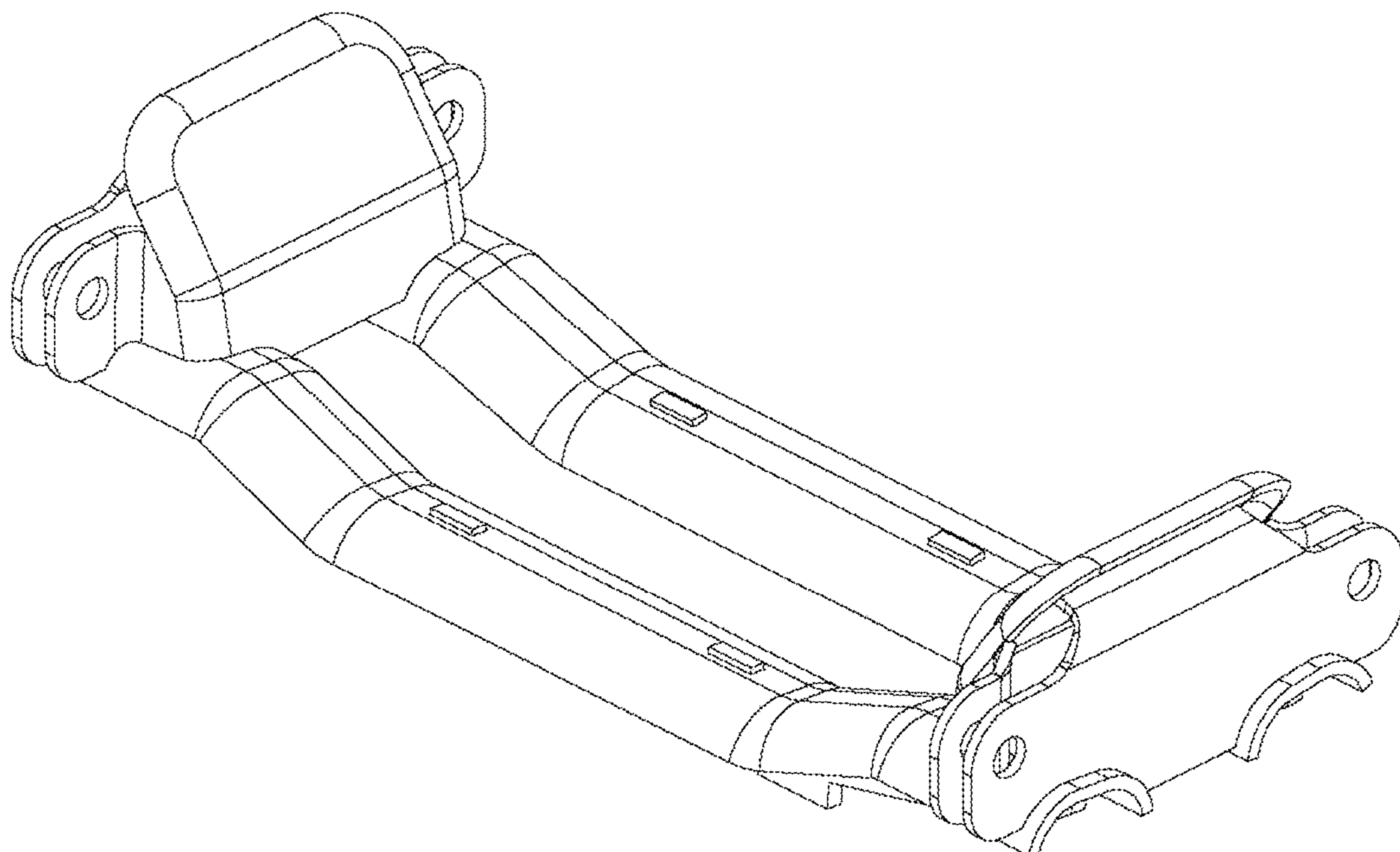
(57) **CLAIM**

The ornamental design for a track pad, as shown and described.

DESCRIPTION

FIG. 1 is a front, side, and top perspective view of a track pad showing my new design.
FIG. 2 is a back, side, and bottom perspective view thereof.
FIG. 3 is a front view thereof.
FIG. 4 is a back view thereof.
FIG. 5 is a right-side view thereof.
FIG. 6 is a left-side view thereof.
FIG. 7 is a top view thereof; and,
FIG. 8 is a bottom view thereof.

1 Claim, 6 Drawing Sheets



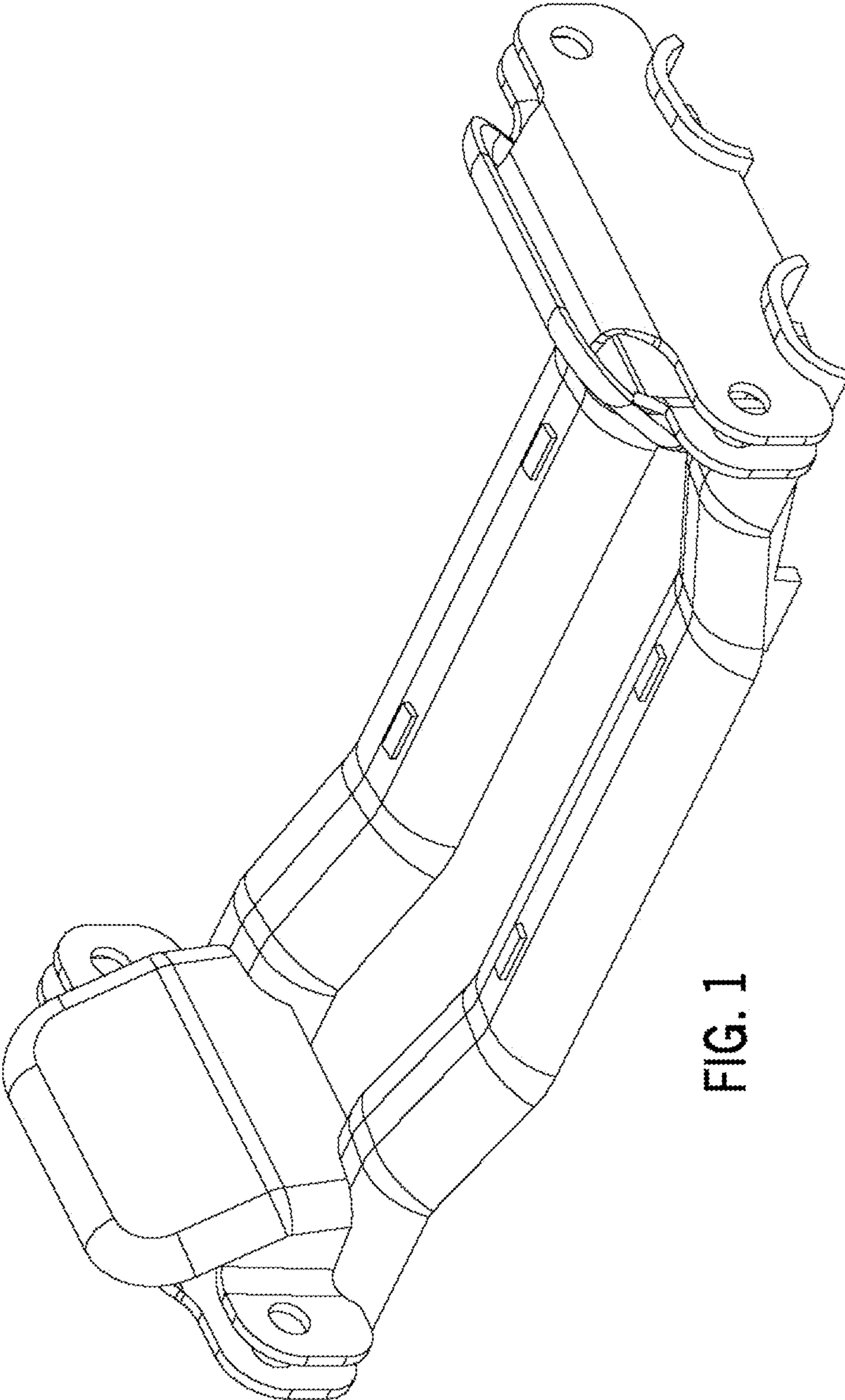


FIG. 1

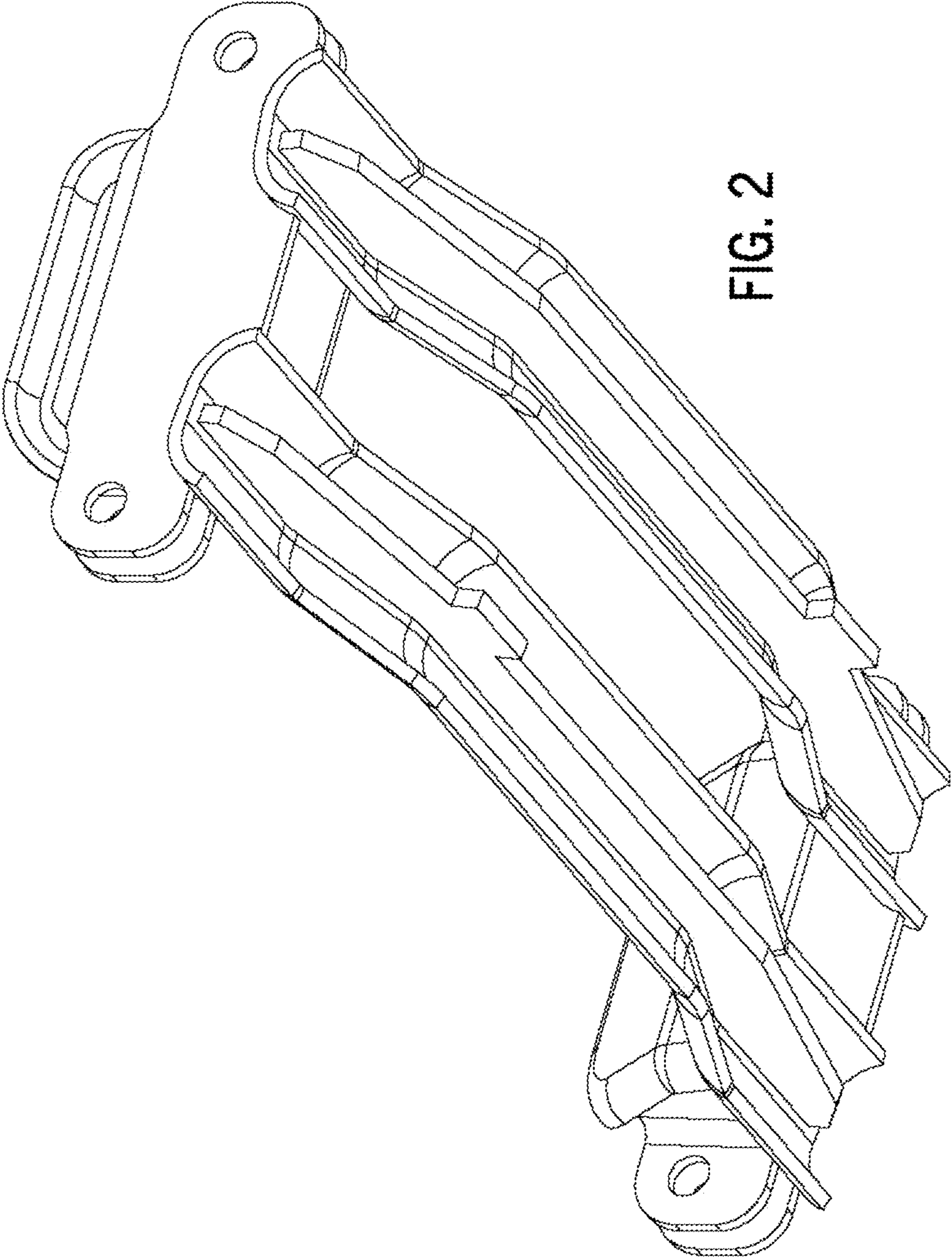


FIG. 2

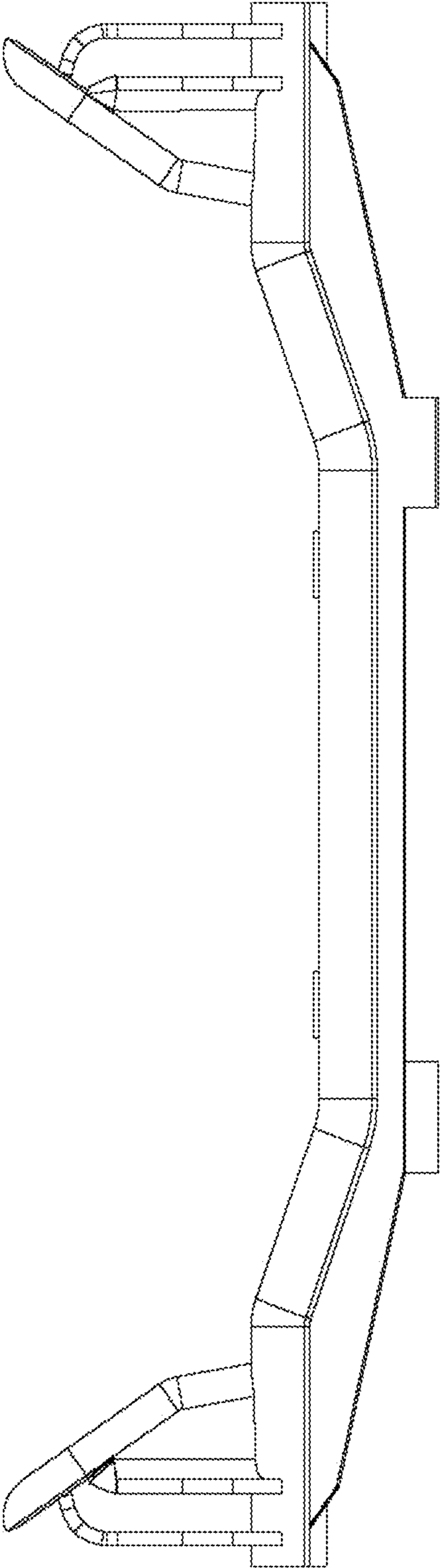


FIG. 3

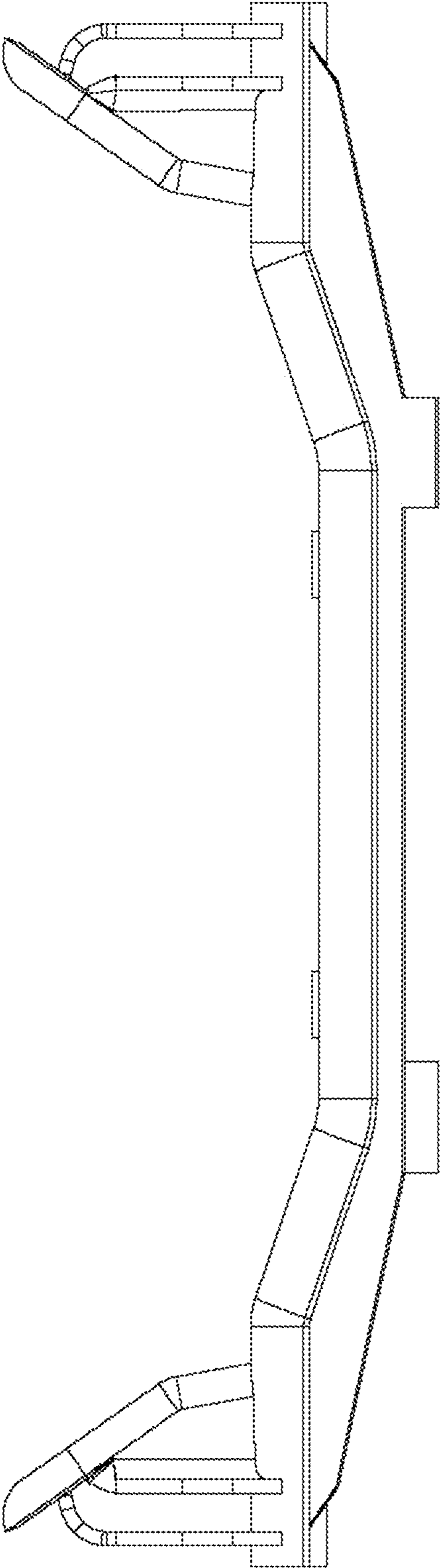


FIG. 4

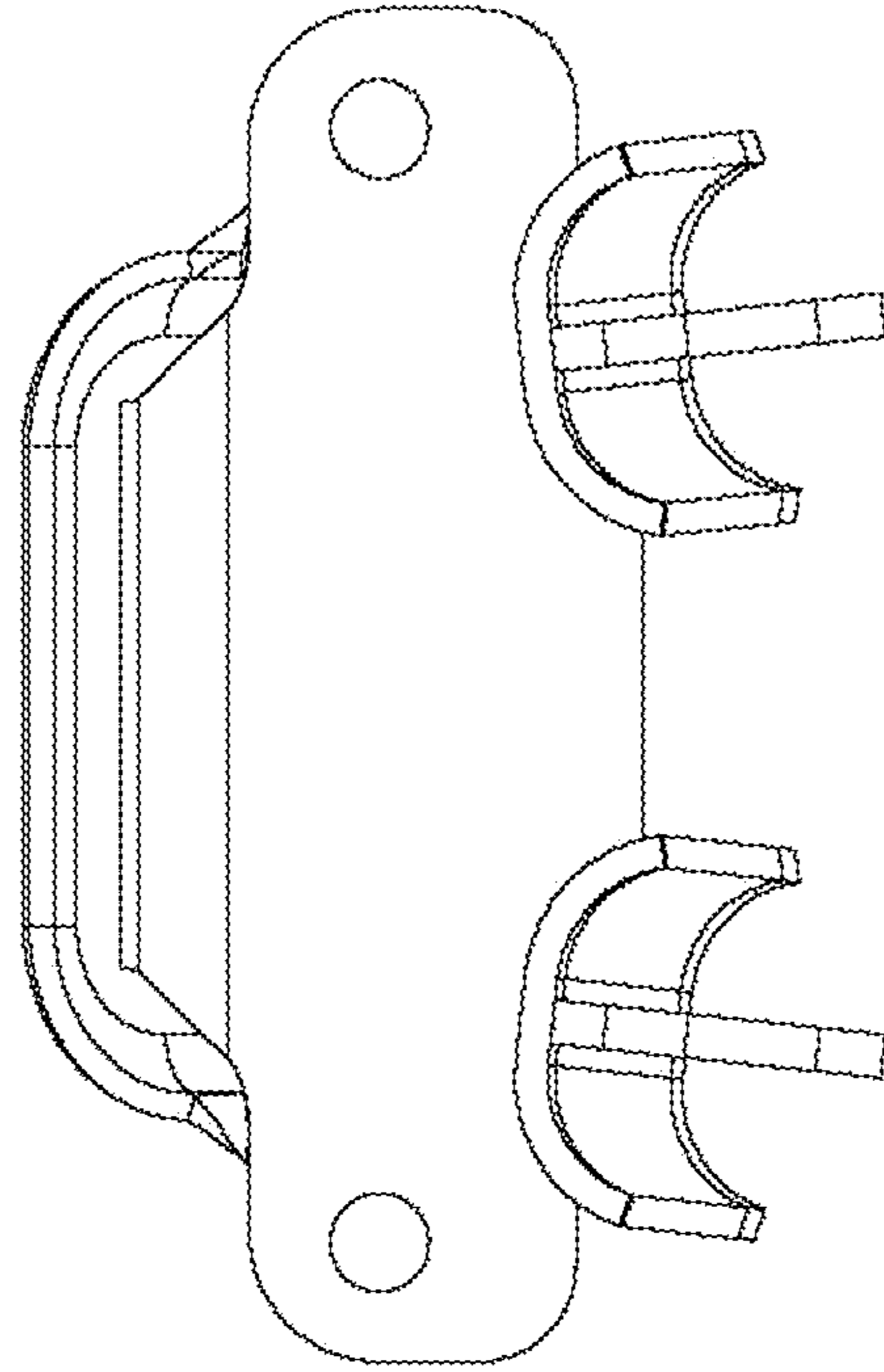


FIG. 6

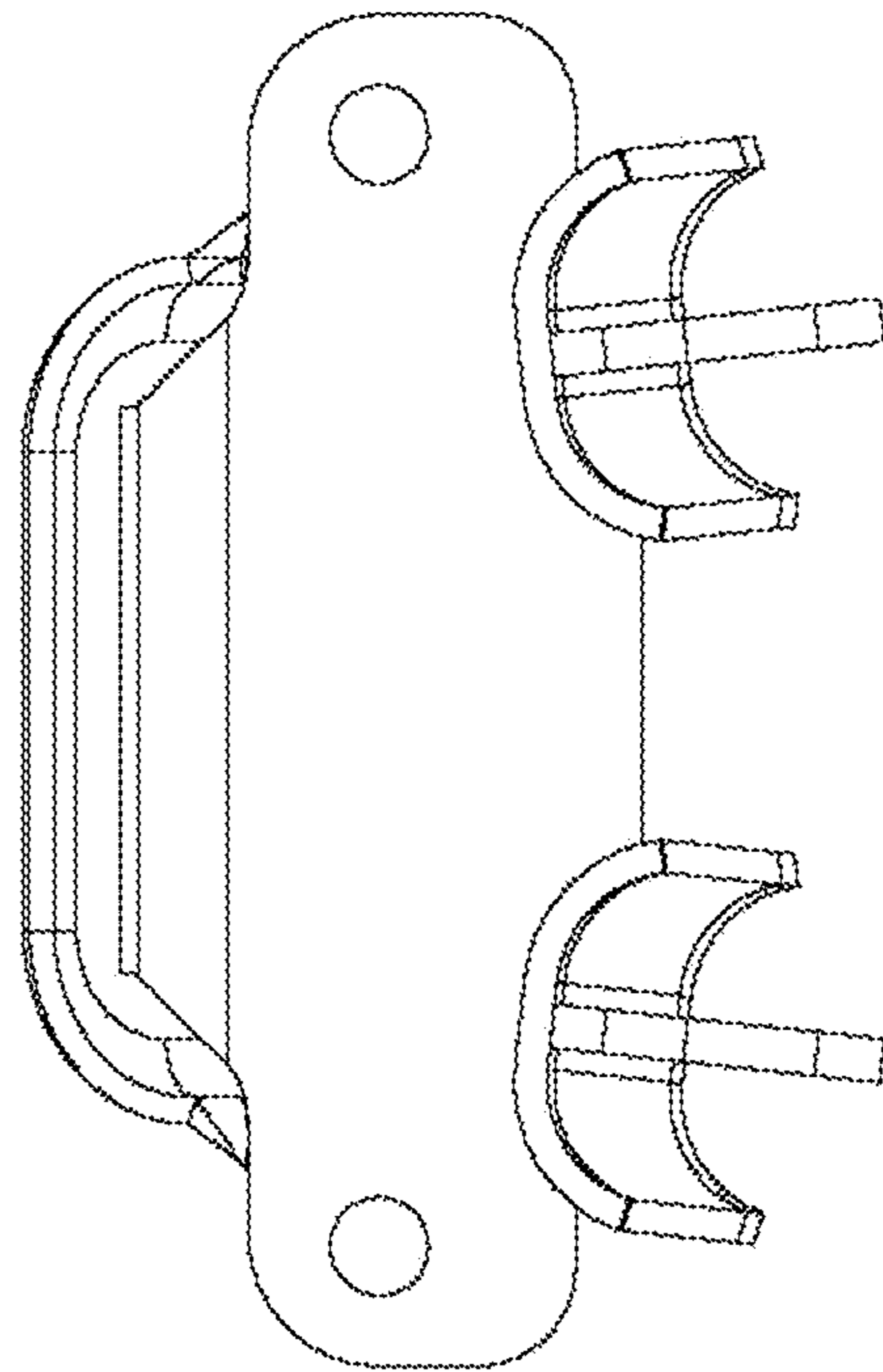


FIG. 5

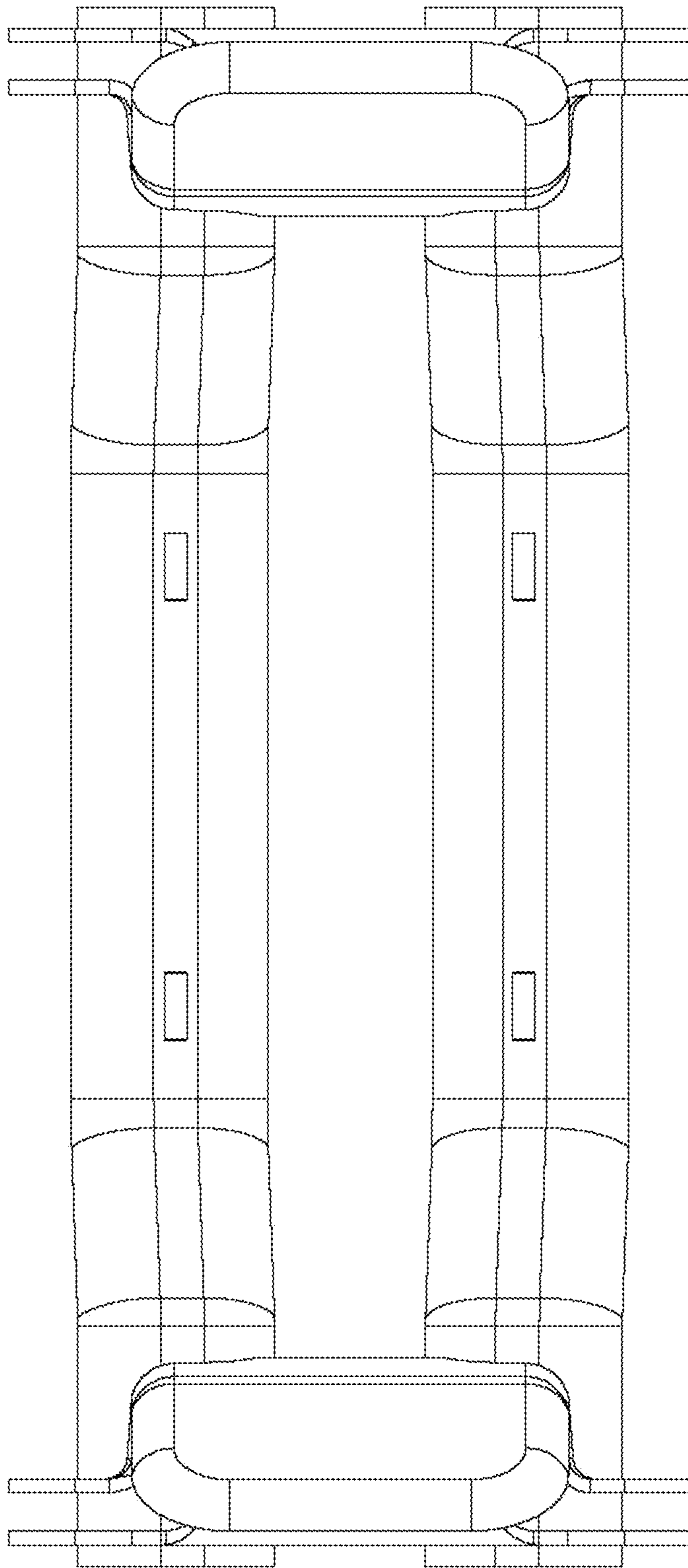


FIG. 7

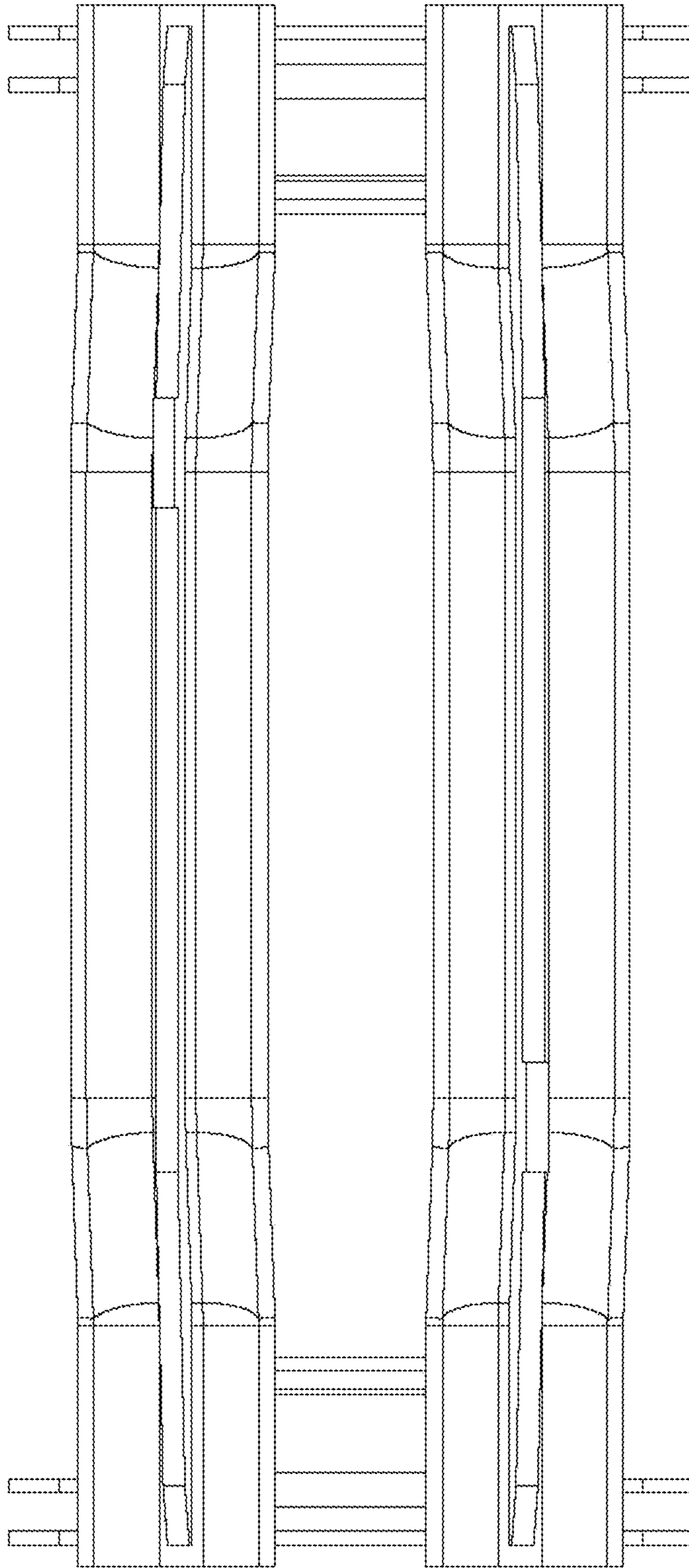


FIG. 8