



US00D965642S

(12) **United States Design Patent**
Zhang et al.

(10) **Patent No.:** **US D965,642 S**
(45) **Date of Patent:** **** Oct. 4, 2022**

(54) **RIDING LAWN MOWER**

(56) **References Cited**

(71) Applicant: **Nanjing Chervon Industry Co., Ltd.**,
Nanjing (CN)

U.S. PATENT DOCUMENTS

(72) Inventors: **Su Zhang**, Nanjing (CN); **Xunzhuang Qiu**,
Nanjing (CN); **Kai Zhang**, Nanjing (CN)

D409,208	S	*	5/1999	Eavenson	D15/15
D450,330	S	*	11/2001	Katoh	D15/15
D560,690	S	*	1/2008	Higashikawa	D15/15
D674,816	S	*	1/2013	Higashikawa	D15/15
D681,685	S	*	5/2013	Higashikawa	D15/15
D719,980	S	*	12/2014	Foster	D15/15
D789,423	S	*	6/2017	Shi	D15/15
D866,609	S	*	11/2019	Long	D15/15
D866,610	S	*	11/2019	Long	D15/15
D866,611	S	*	11/2019	Long	D15/15
D866,612	S	*	11/2019	Long	D15/15
D919,671	S	*	5/2021	Donati	D15/15
2020/0383268	A1	*	12/2020	Fujii	A01D 34/824
2020/0390031	A1	*	12/2020	Yang	G01D 5/145

(73) Assignee: **Nanjing Chervon Industry Co., Ltd.**,
Nanjing (CN)

(**) Term: **15 Years**

* cited by examiner

(21) Appl. No.: **29/782,222**

Primary Examiner — Mark A Goodwin

(22) Filed: **May 5, 2021**

(74) *Attorney, Agent, or Firm* — Greenberg Traurig, LLP

(30) **Foreign Application Priority Data**

Nov. 5, 2020 (CN) 202030666536.3

(57) **CLAIM**

(51) **LOC (13) Cl.** **15-03**

What is claimed is the ornamental design for a riding lawn mower, as shown and described.

(52) **U.S. Cl.**

DESCRIPTION

USPC **D15/15**

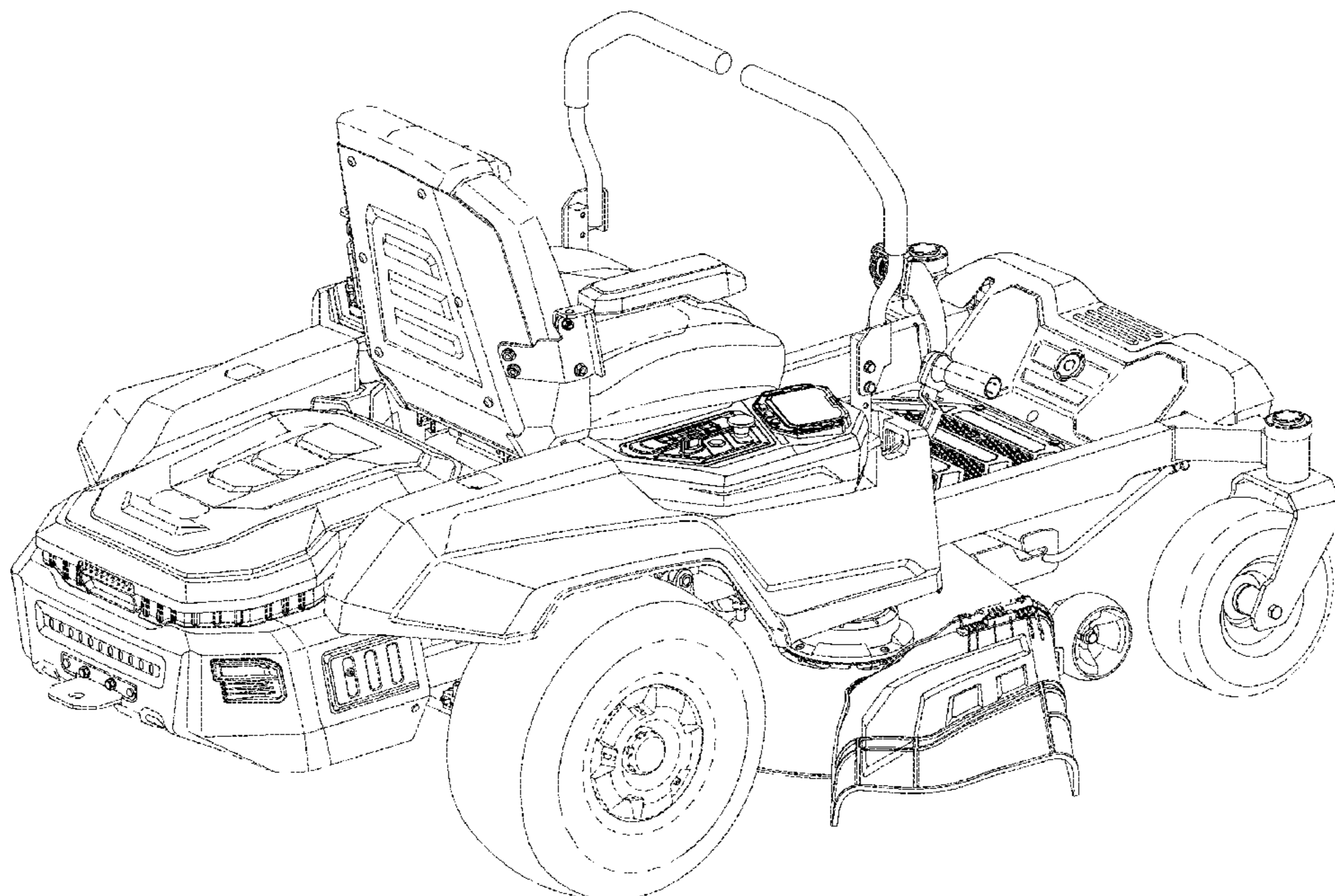
(58) **Field of Classification Search**

USPC D15/28, 22–26, 14–18, 31, 33; D12/181,
D12/184, 196; 296/198; 280/160, 847,
280/154, 854; 180/68.1, 900, 69.21,
180/69.22, 69.23, 69.24, 69.25, 89.1,
180/69.2, 89.12, 89.19, 273, 68.6;
56/16.1, 13.3, 15.9, 16.7, 17.4, 202, 255,
56/320.1, 13.4, 15.8, 294, 320.2

CPC .. B62D 25/161; B62D 25/168; B62D 25/182;
B62D 25/18; B62D 25/16; A01D 34/64;
A01D 34/90; A01D 34/905

See application file for complete search history.

1 Claim, 6 Drawing Sheets



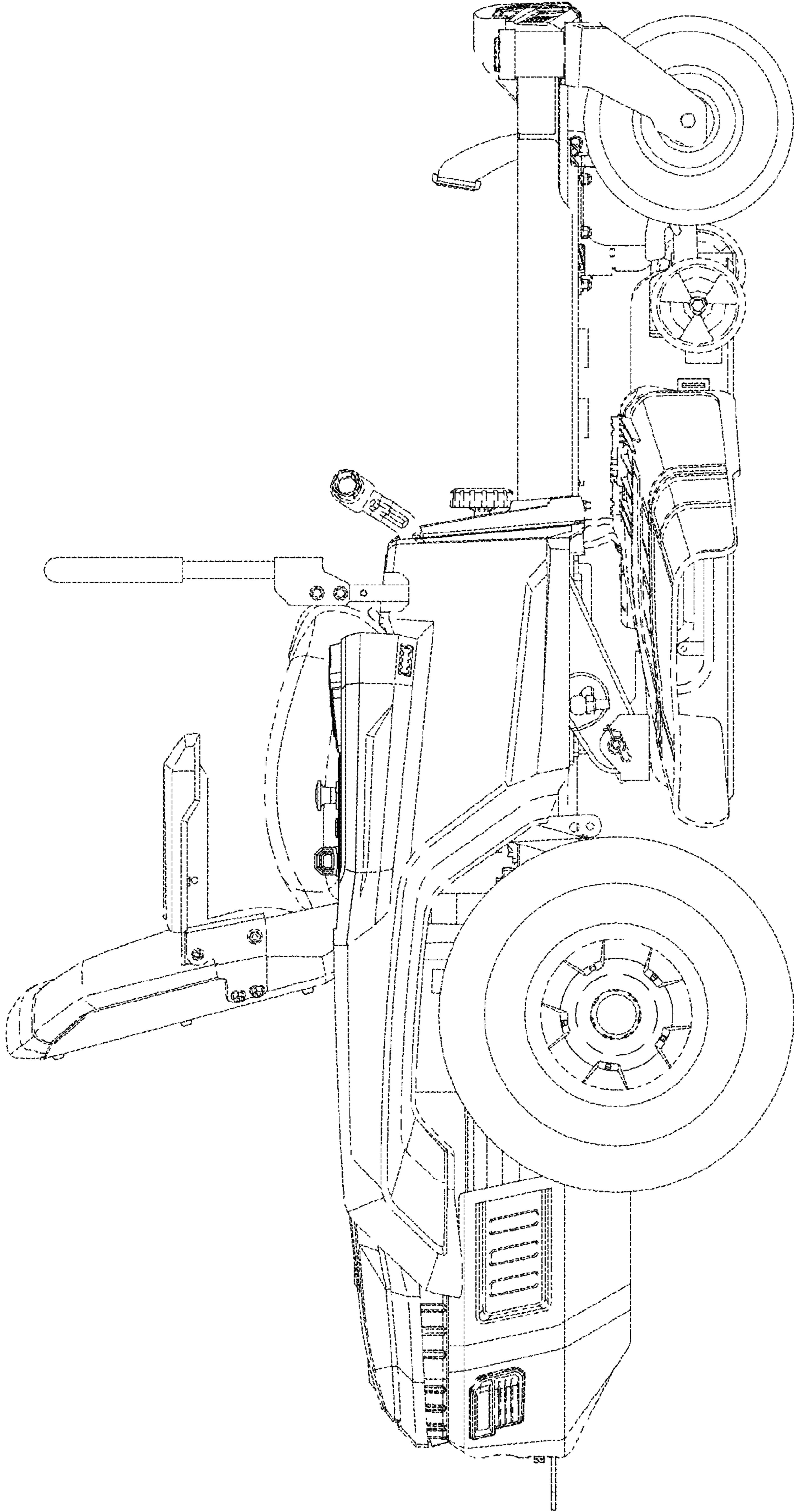


FIG. 1

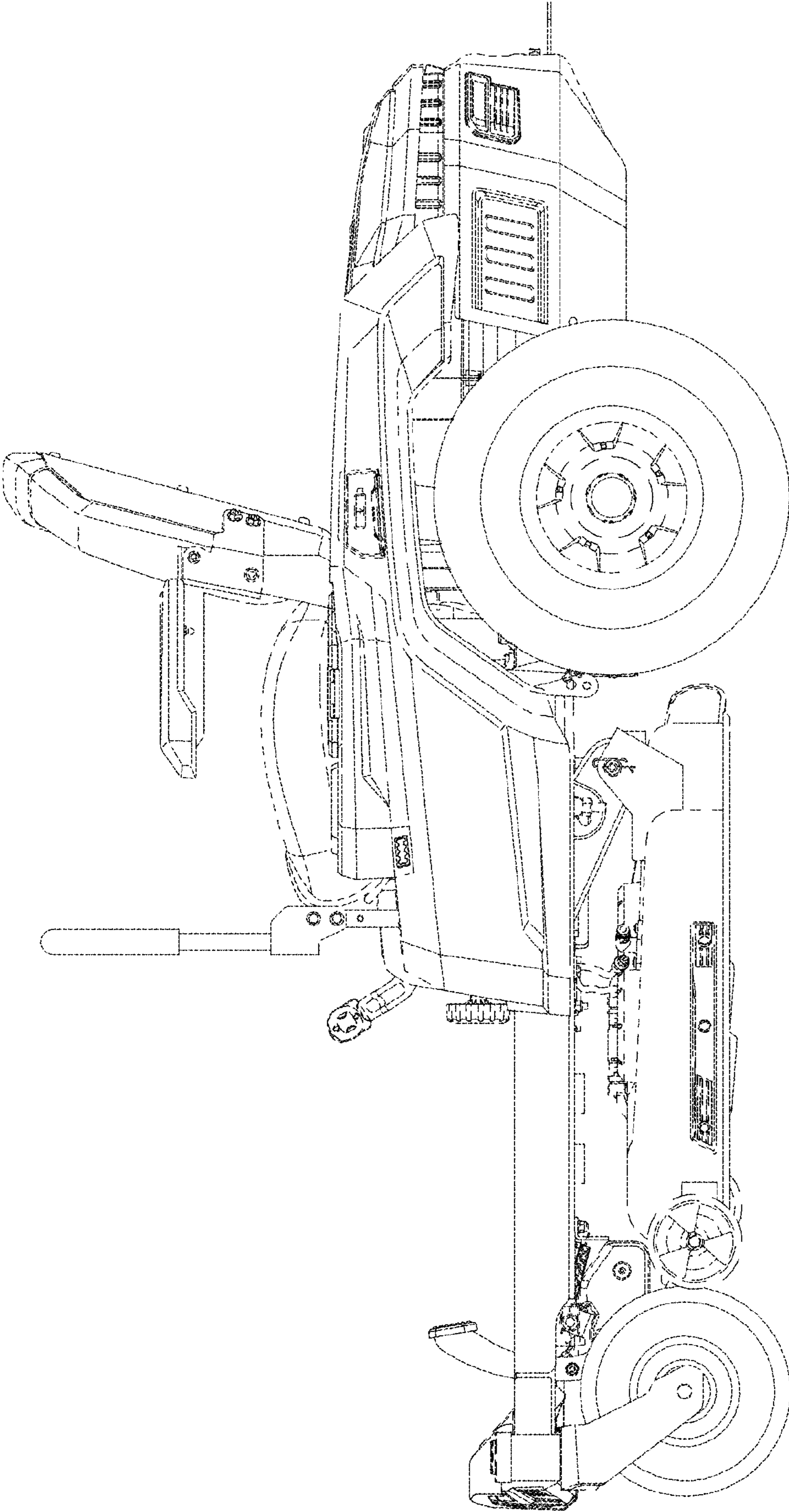


FIG. 2

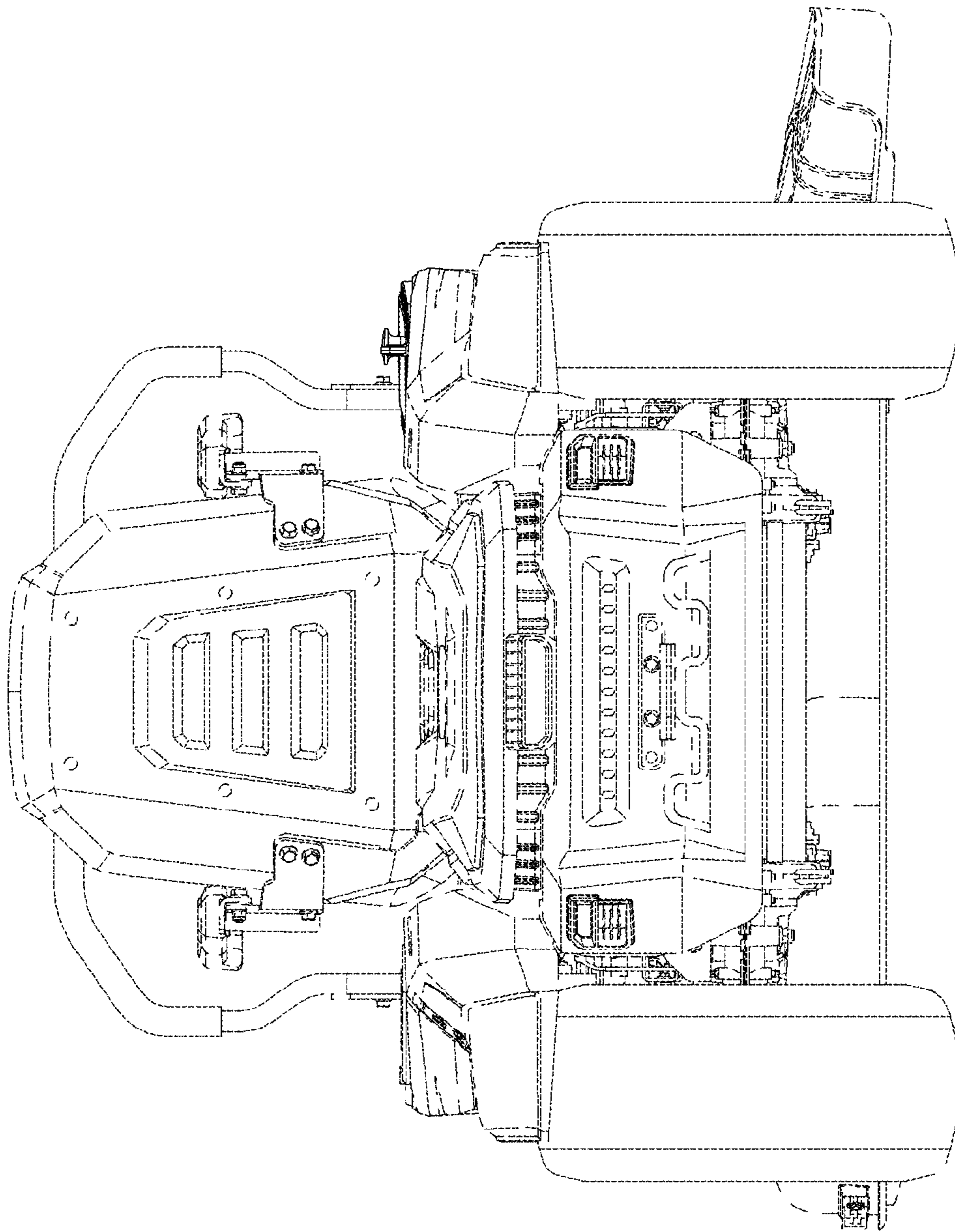


FIG. 3

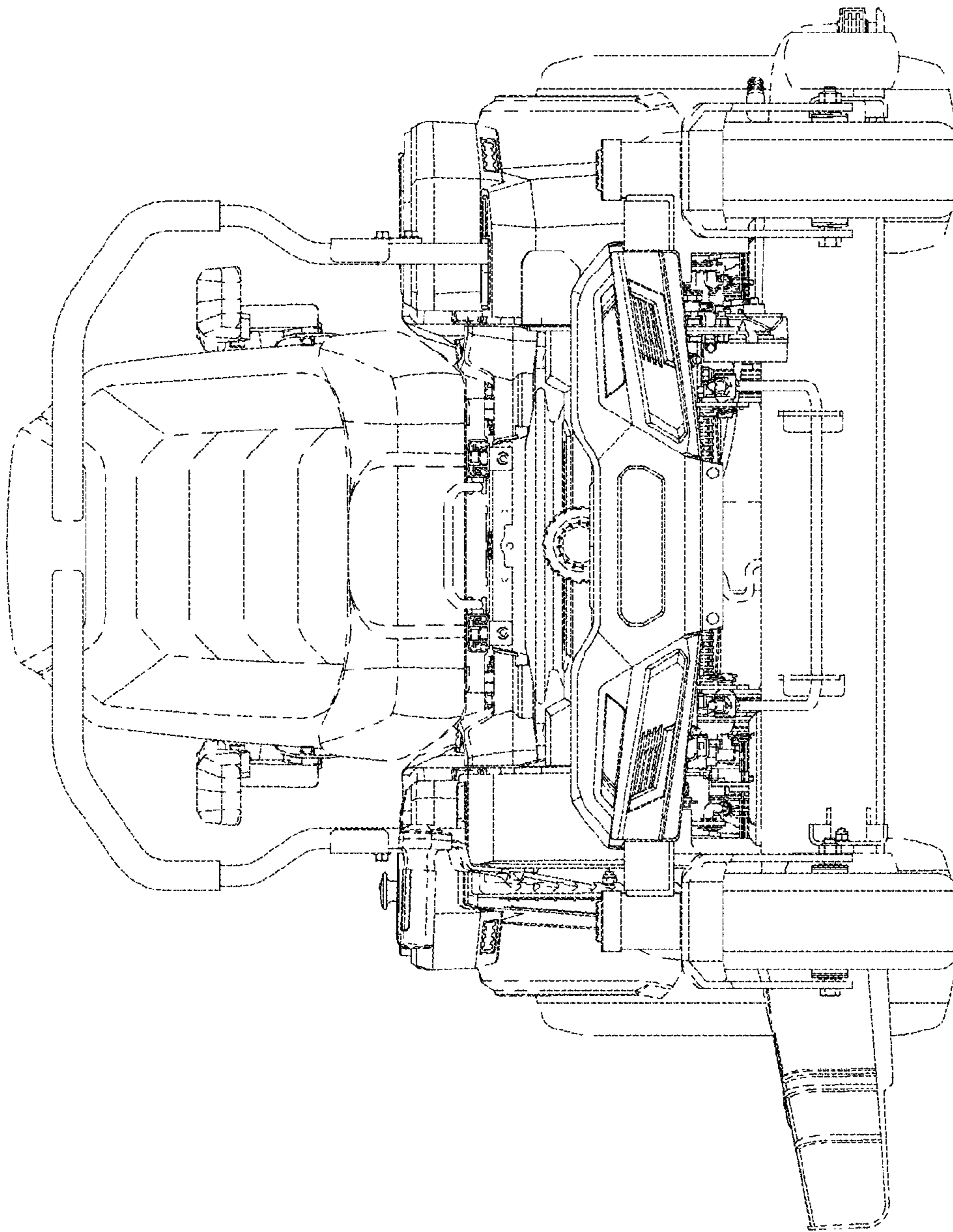


FIG. 4

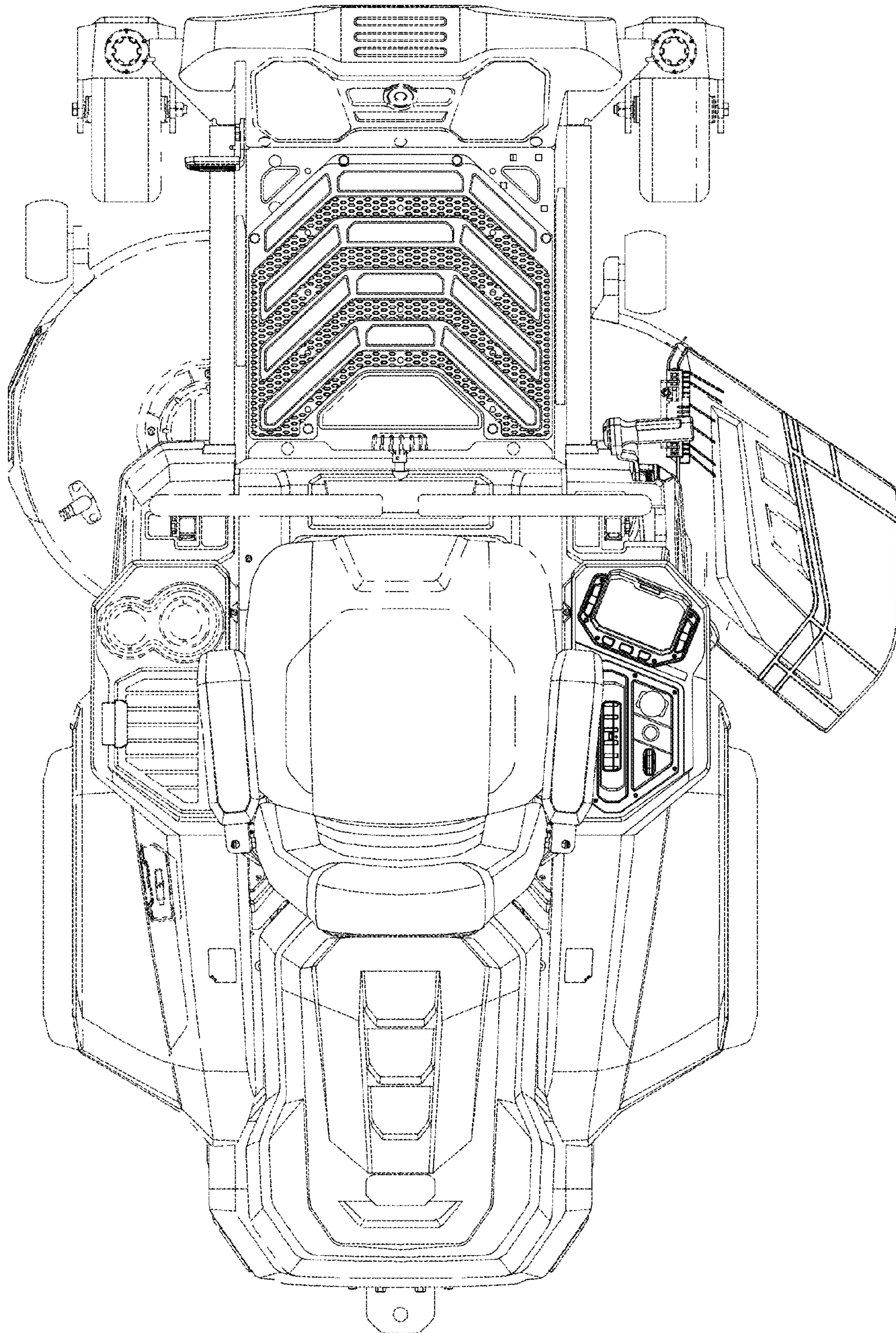


FIG. 5

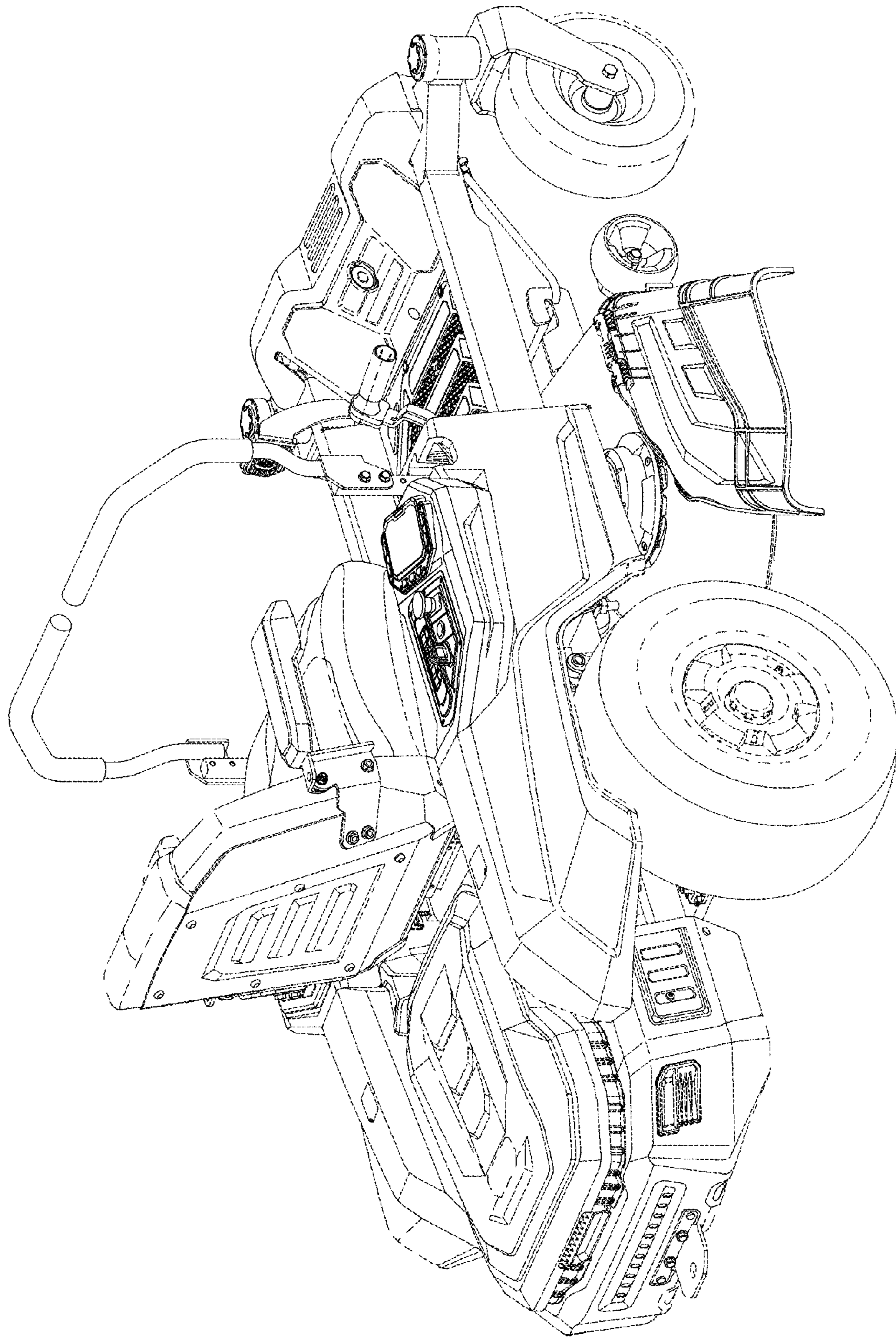


FIG. 6