



US00D965638S

(12) **United States Design Patent** (10) **Patent No.:** **US D965,638 S**
Balma (45) **Date of Patent:** **** Oct. 4, 2022**

(54) **COMPRESSOR WITH COMPRESSOR SHELL**

(71) Applicant: **FNA S.p.A.**, Robassomero (IT)

(72) Inventor: **Roberto Balma**, Robassomero (IT)

(73) Assignee: **FNA S.P.A.**

(**) Term: **15 Years**

(21) Appl. No.: **29/819,289**

(22) Filed: **Dec. 14, 2021**

Related U.S. Application Data

(62) Division of application No. 29/709,701, filed on Oct. 16, 2019, now Pat. No. Des. 941,364.

(30) **Foreign Application Priority Data**

Apr. 16, 2019 (EM) 006379418

(51) **LOC (13) Cl.** **15-07**

(52) **U.S. Cl.**
USPC **D15/9**

(58) **Field of Classification Search**
USPC D15/7-9; D23/231-232; D13/103;
D24/111

CPC F04B 41/00; F04B 41/02-06; F04B 31/00;
F04B 35/00; F04B 53/92; F04B 1/005;
F04B 23/00; F02M 37/04; F02M 37/14

See application file for complete search history.

(56) **References Cited**

U.S. PATENT DOCUMENTS

D667,467 S 9/2012 Kosugi et al.
D668,683 S 10/2012 Balma
D680,555 S 4/2013 Craig et al.
D710,903 S 8/2014 Vintzel et al.
D776,168 S 1/2017 Balma
D898,776 S 10/2020 Gao

D902,259 S 11/2020 Vintzel et al.
D919,667 S * 5/2021 Bader D15/7
D935,392 S * 11/2021 Shum D13/107
D935,487 S * 11/2021 Chen D15/7
D941,364 S * 1/2022 Balma D15/9
2013/0062140 A1 3/2013 White et al.
2016/0290329 A1 10/2016 Hernandez et al.
2019/0120222 A1 4/2019 Hathcock et al.

(Continued)

OTHER PUBLICATIONS

Fini, Fini Siltek S/6 Quiet Compressor, (first available Sep. 14, 2019), Amazon.de website, URL:<https://www.amazo.de/dp/B07XVSGQ1T> (Year: 2019).

(Continued)

Primary Examiner — Calvin E Vansant

Assistant Examiner — Mark T. Philipps

(74) *Attorney, Agent, or Firm* — Workman Nydegger

(57) **CLAIM**

The ornamental design for a compressor with compressor shell, as shown and described.

DESCRIPTION

FIG. 1 is a top, front, right perspective view of a compressor with compressor shell in accordance with the present invention;

FIG. 2 is an elevated right side view thereof;

FIG. 3 is an elevated rear view thereof;

FIG. 4 is an elevated left side view thereof;

FIG. 5 is an elevated facing thereof;

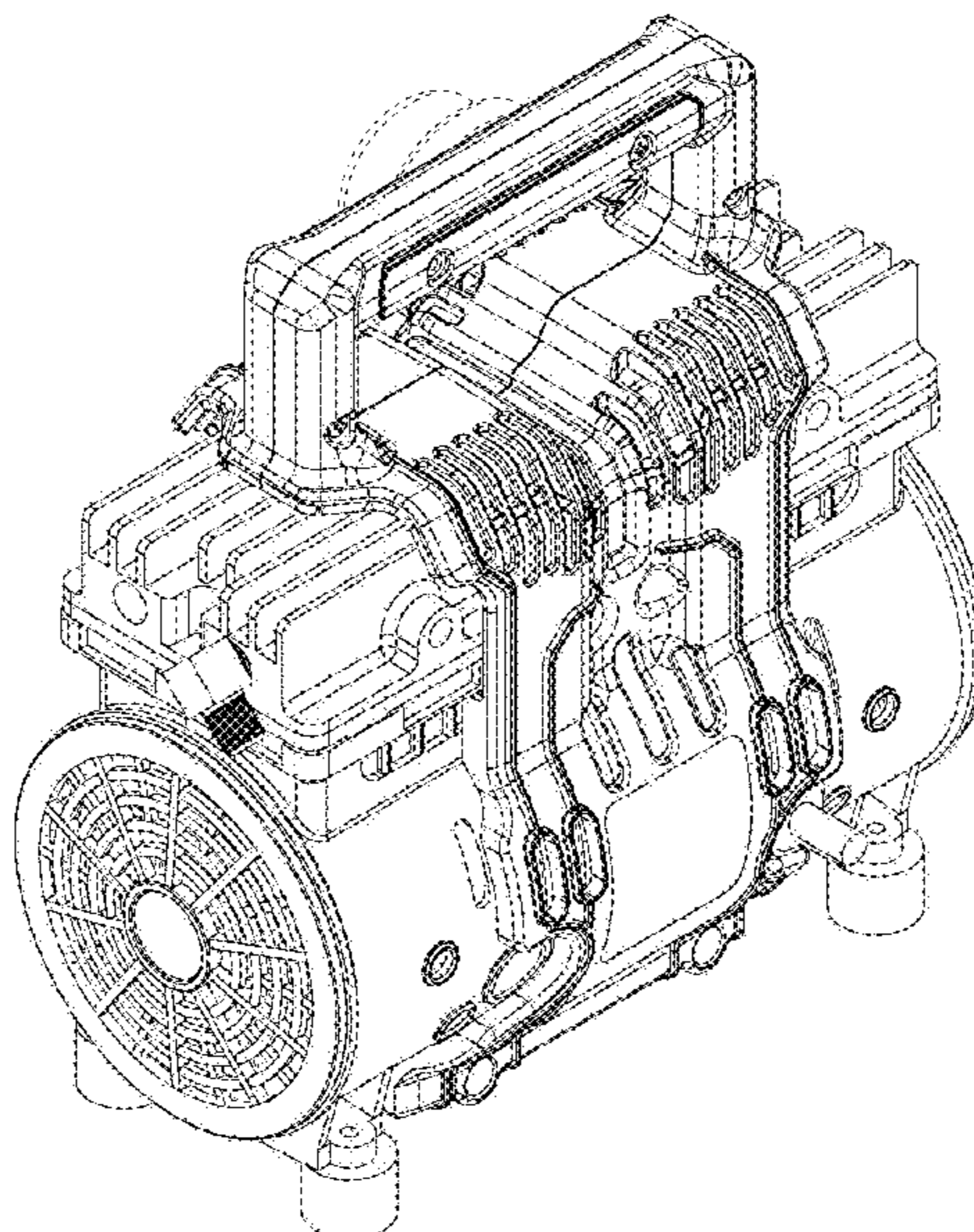
FIG. 6 is a top plan view thereof;

FIG. 7 is a bottom plan view thereof; and,

FIG. 8 is a top, front right perspective view of the compressor with compressor shell in an ordinary use environment.

The broken lines depict portions of the article that form no part of the claimed design.

1 Claim, 8 Drawing Sheets



(56)

References Cited

U.S. PATENT DOCUMENTS

2020/0378394 A1 12/2020 Morimura et al.

OTHER PUBLICATIONS

Fini, "I'm not an expert but great compressor"—Fini Siltek S/6 Quiet Compressor review by Frederico, (customer review date Oct. 14, 2019), Amazon.it website, URL:<https://www.amazon.it/SILTEK-Compressore-Silenzioso-Manometri-Rosso/product-reviews/B07XVSGQ1T/ref=cm_cr_getr_d_paging_btm_pre_11?ie=UTF8&reviewerType=all_reviews&sortBy=recent&pageNumber=11 (Year: 2019).

U.S. Appl. No. 29/709,701, dated May 12, 2021, Office Action.

U.S. Appl. No. 29/709,701, dated Sep. 13, 2021, Notice of Allowance.

Non-Final Office Action received for U.S. Appl. No. 29/819,290, dated Mar. 21, 2022, 7 pages.

Notice of Allowance received for U.S. Appl. No. 29/819,290, dated Jul. 22, 2022, 5 pages.

* cited by examiner

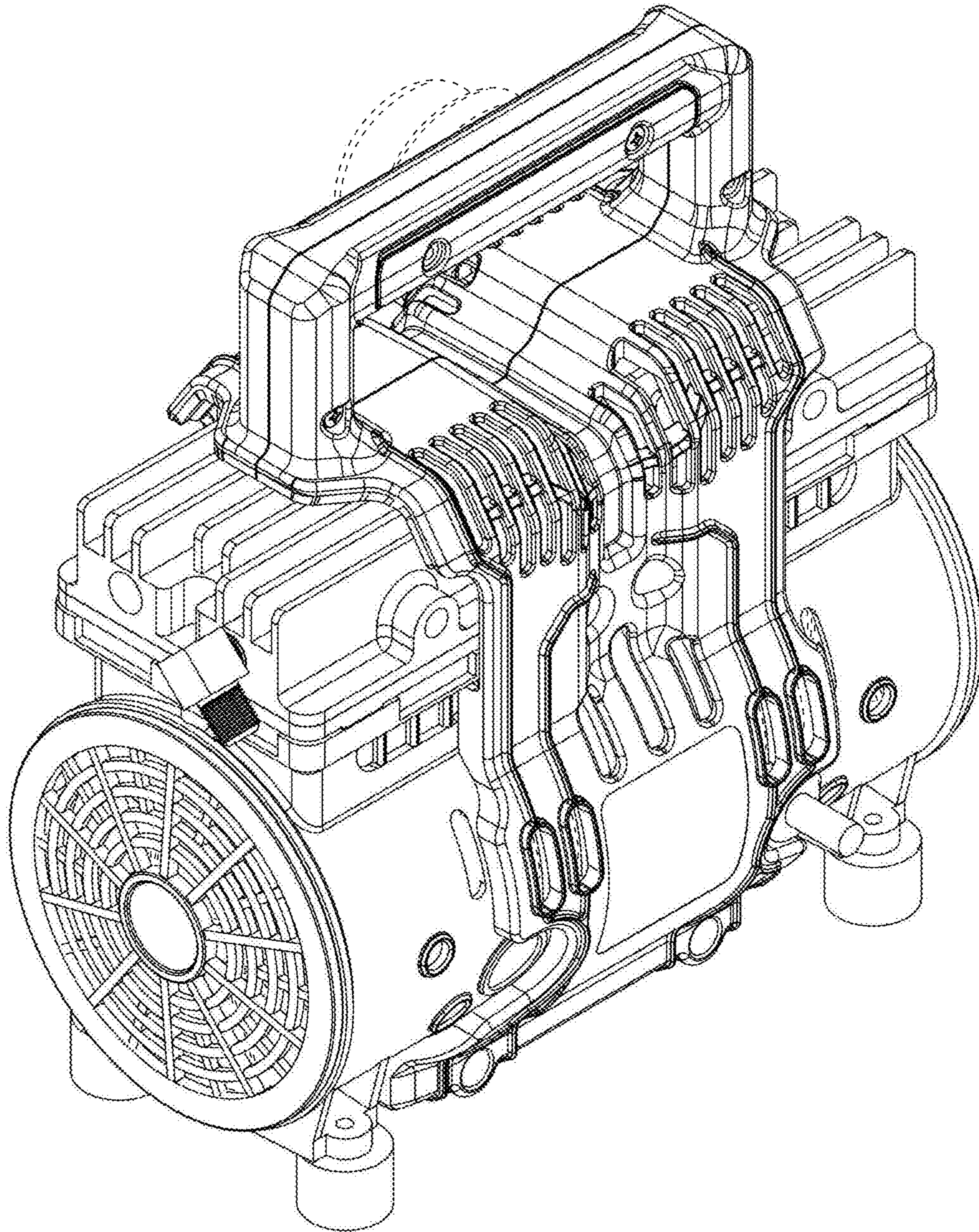


FIG. 1

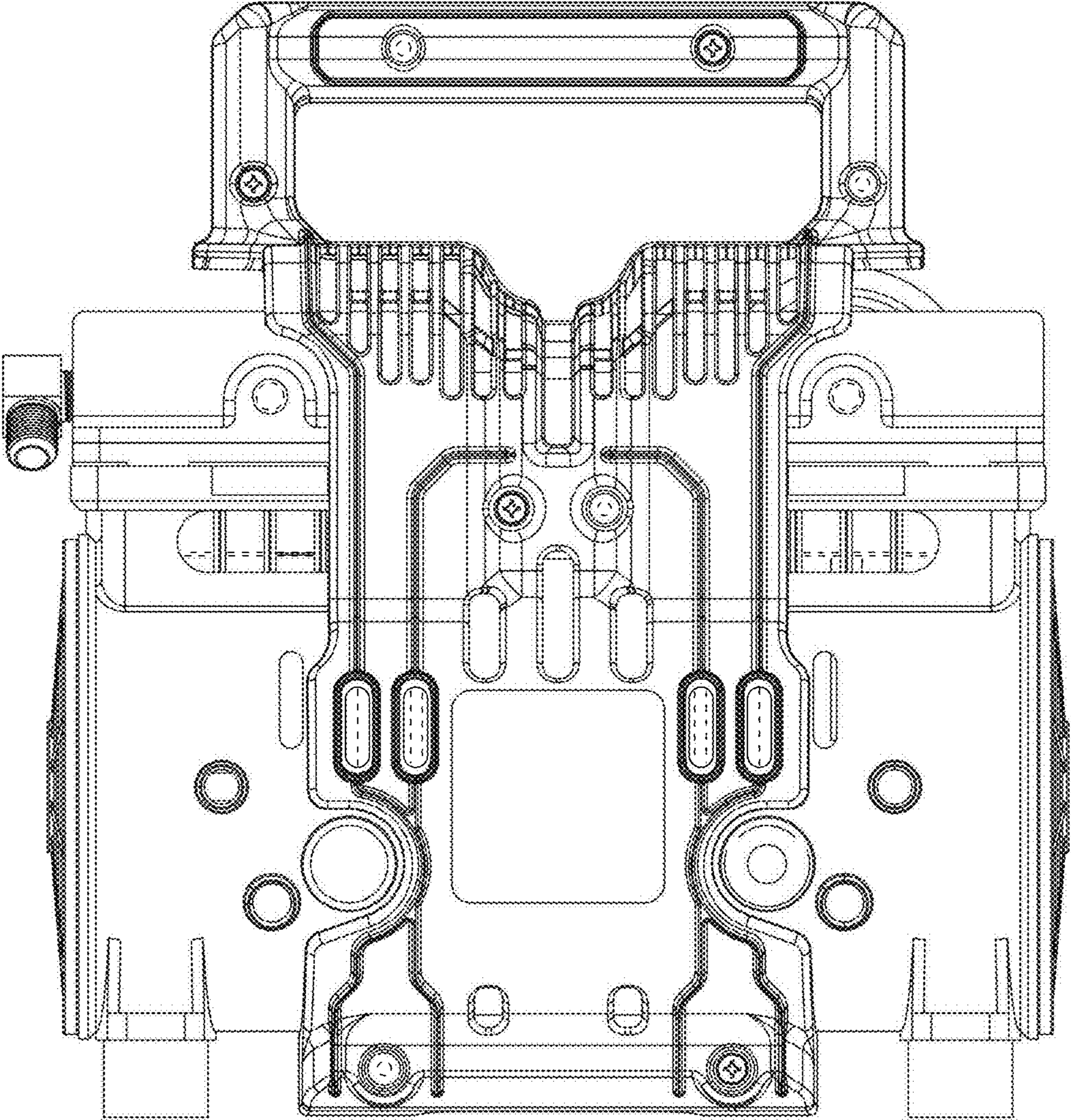


FIG. 2

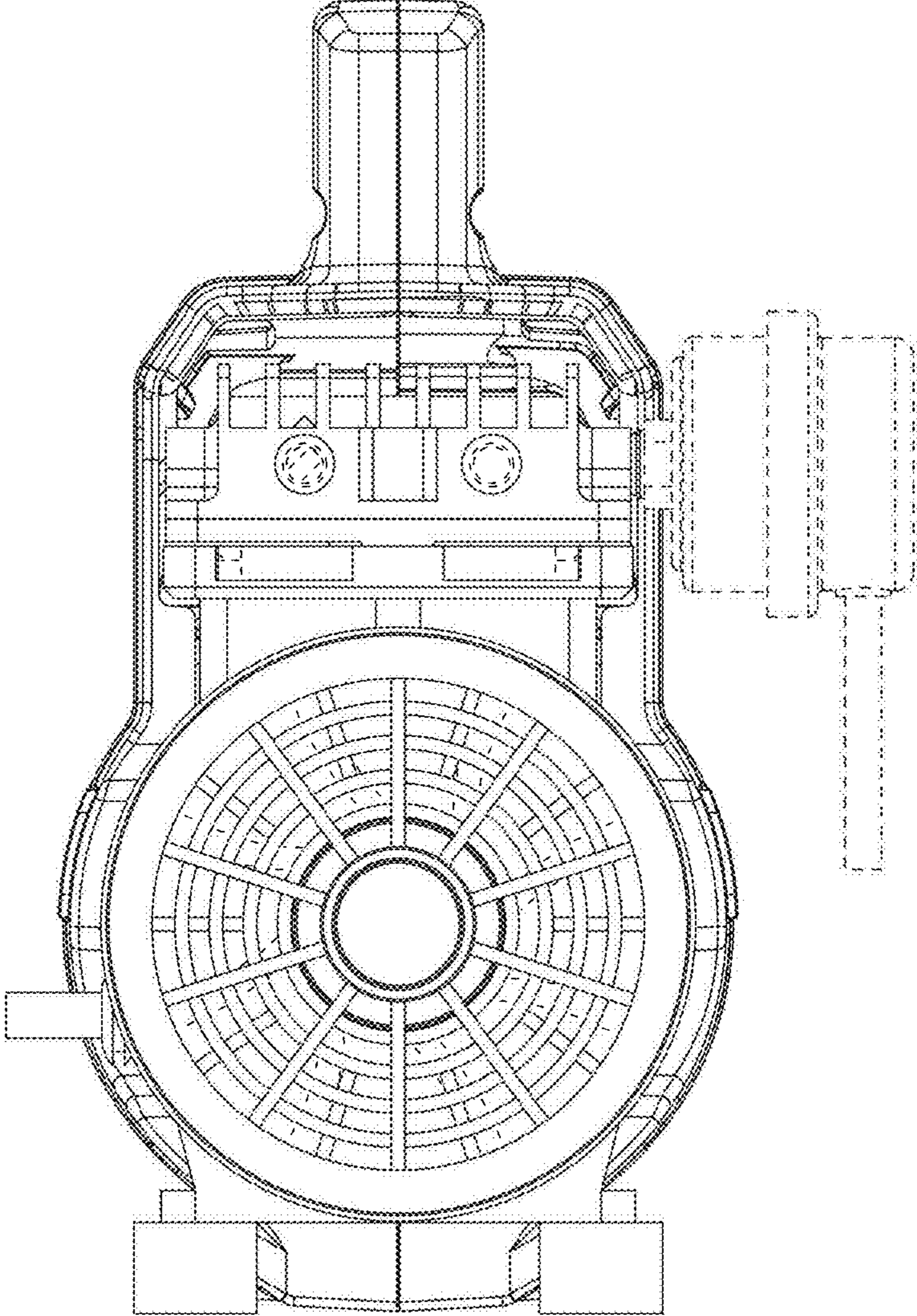


FIG. 3

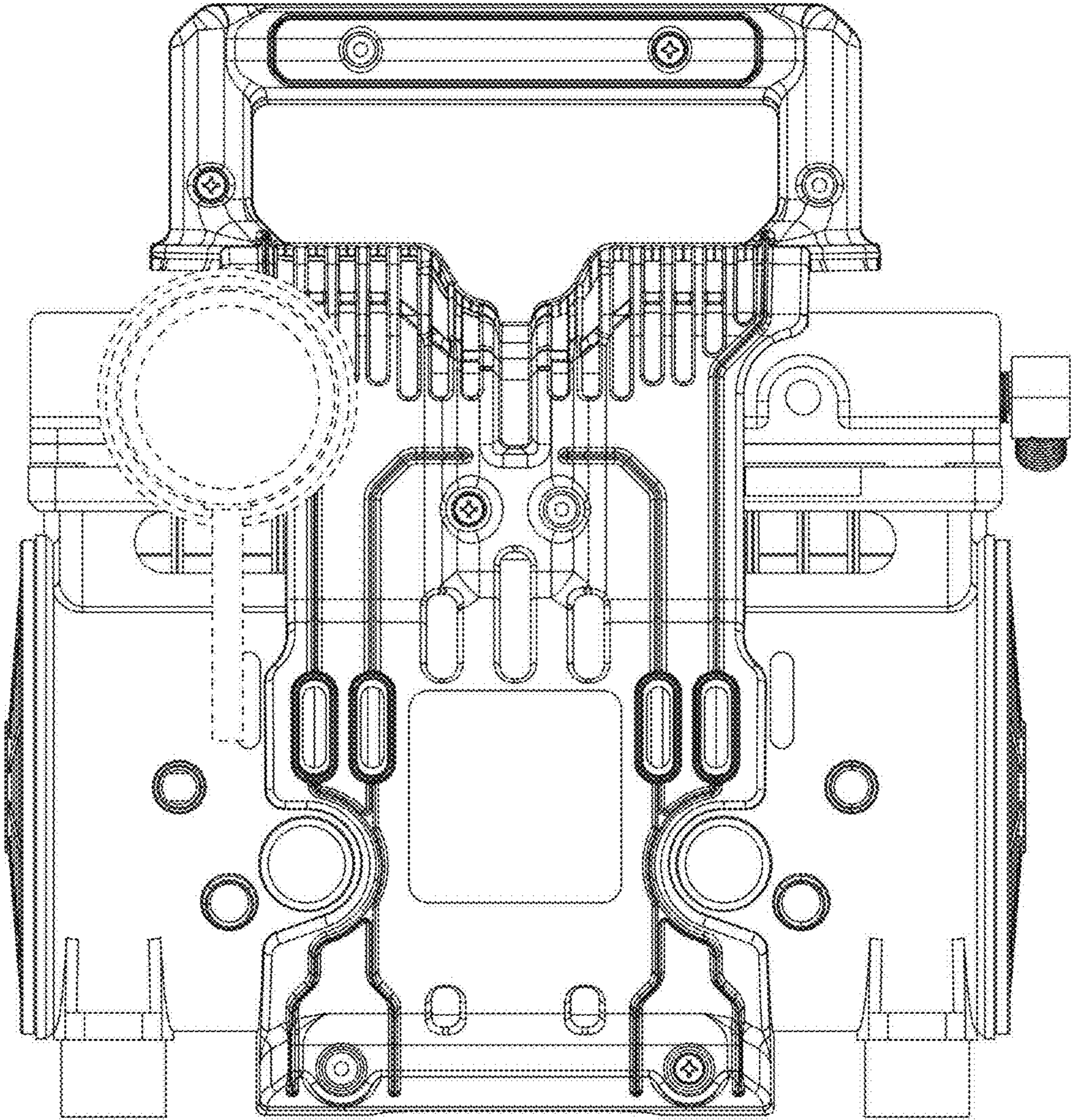


FIG. 4

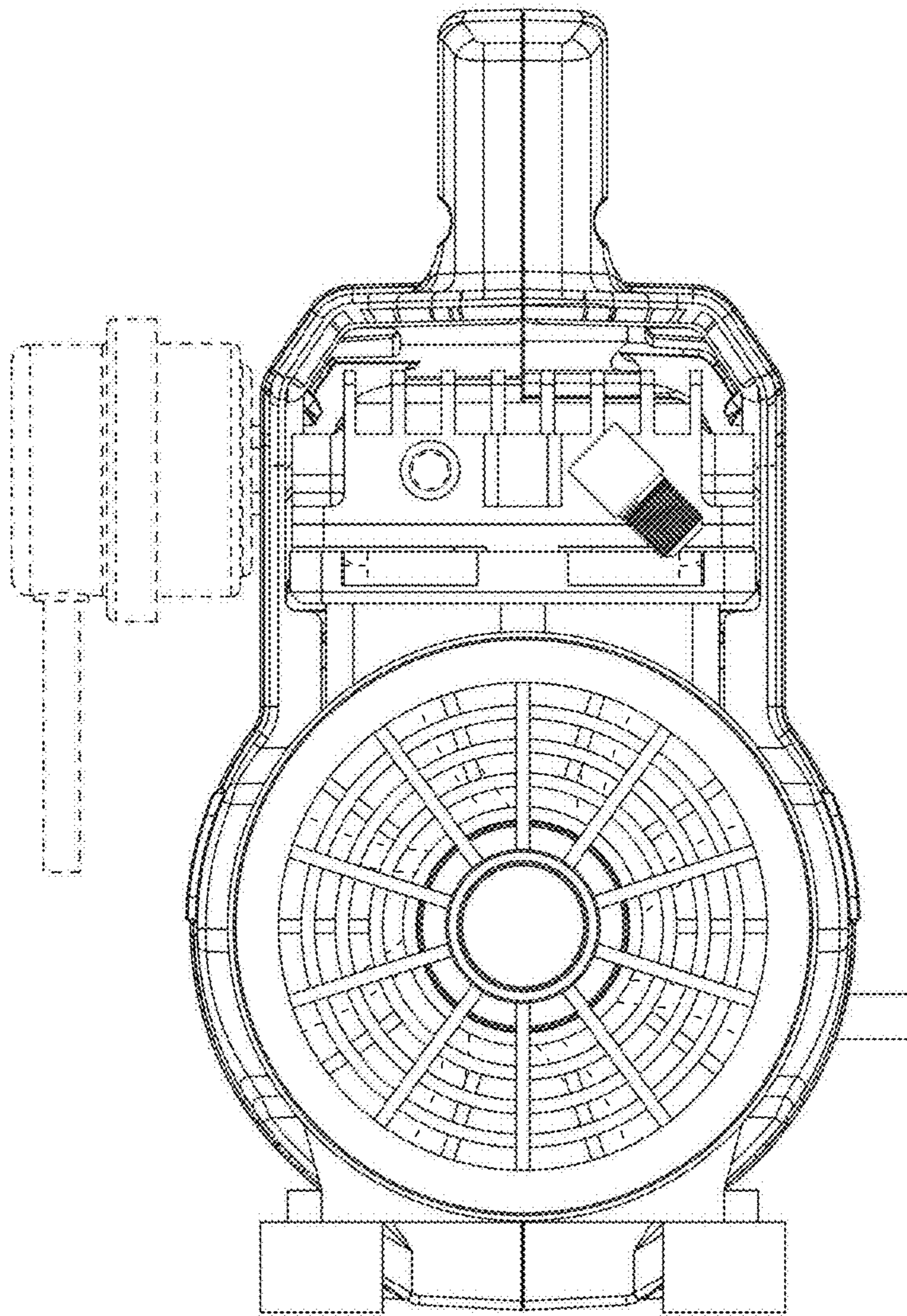


FIG. 5

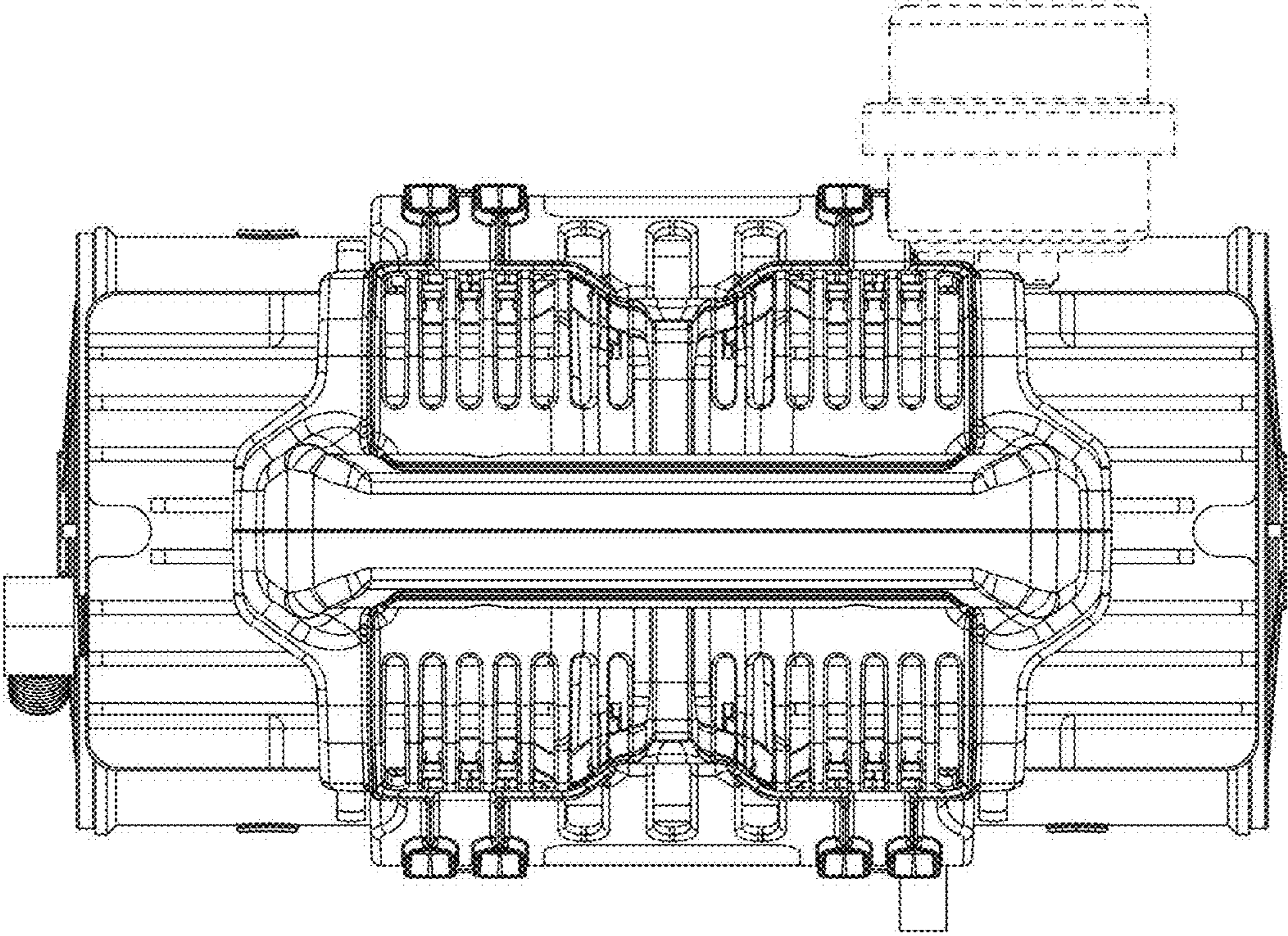


FIG. 6

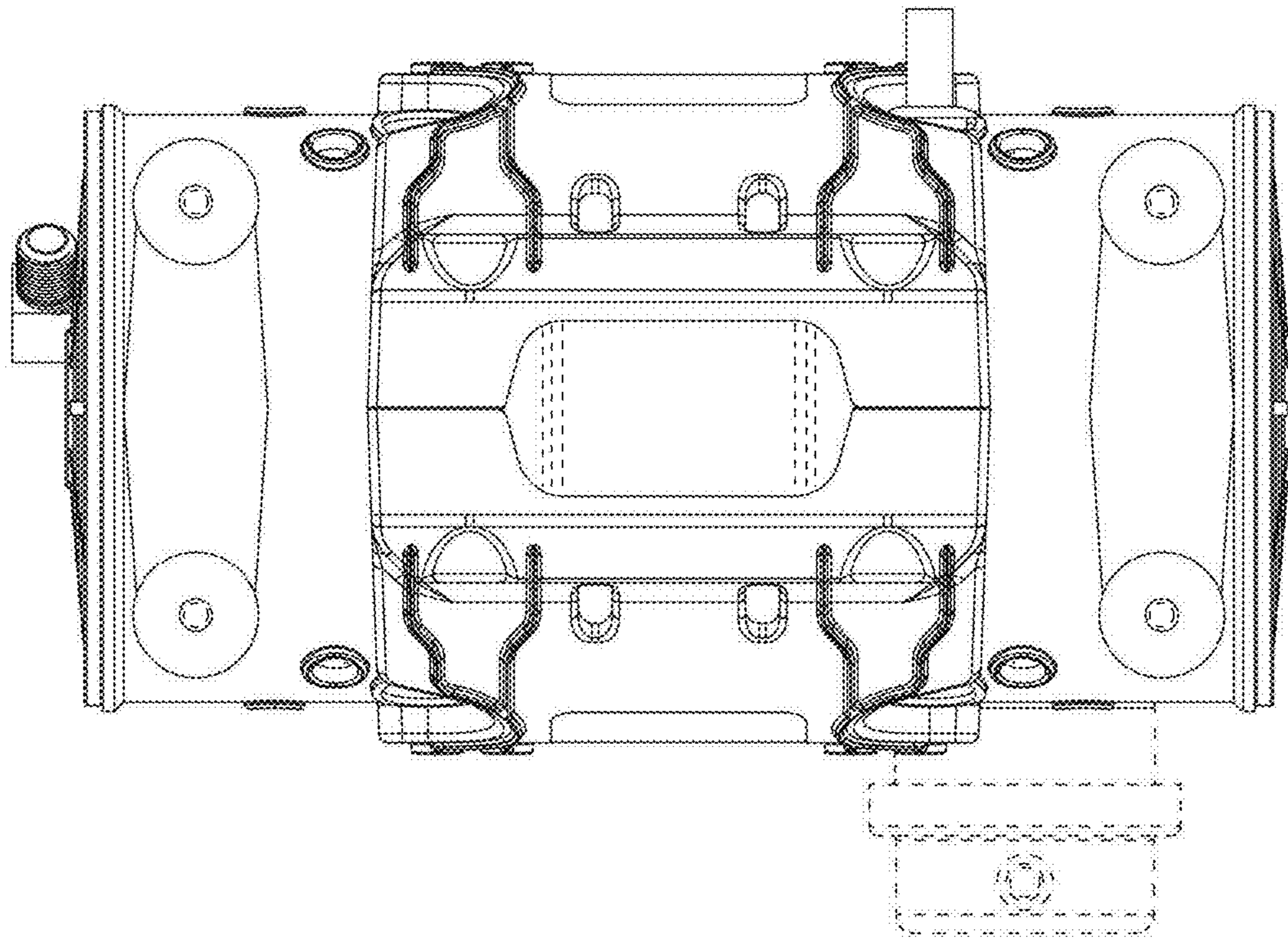


FIG. 7

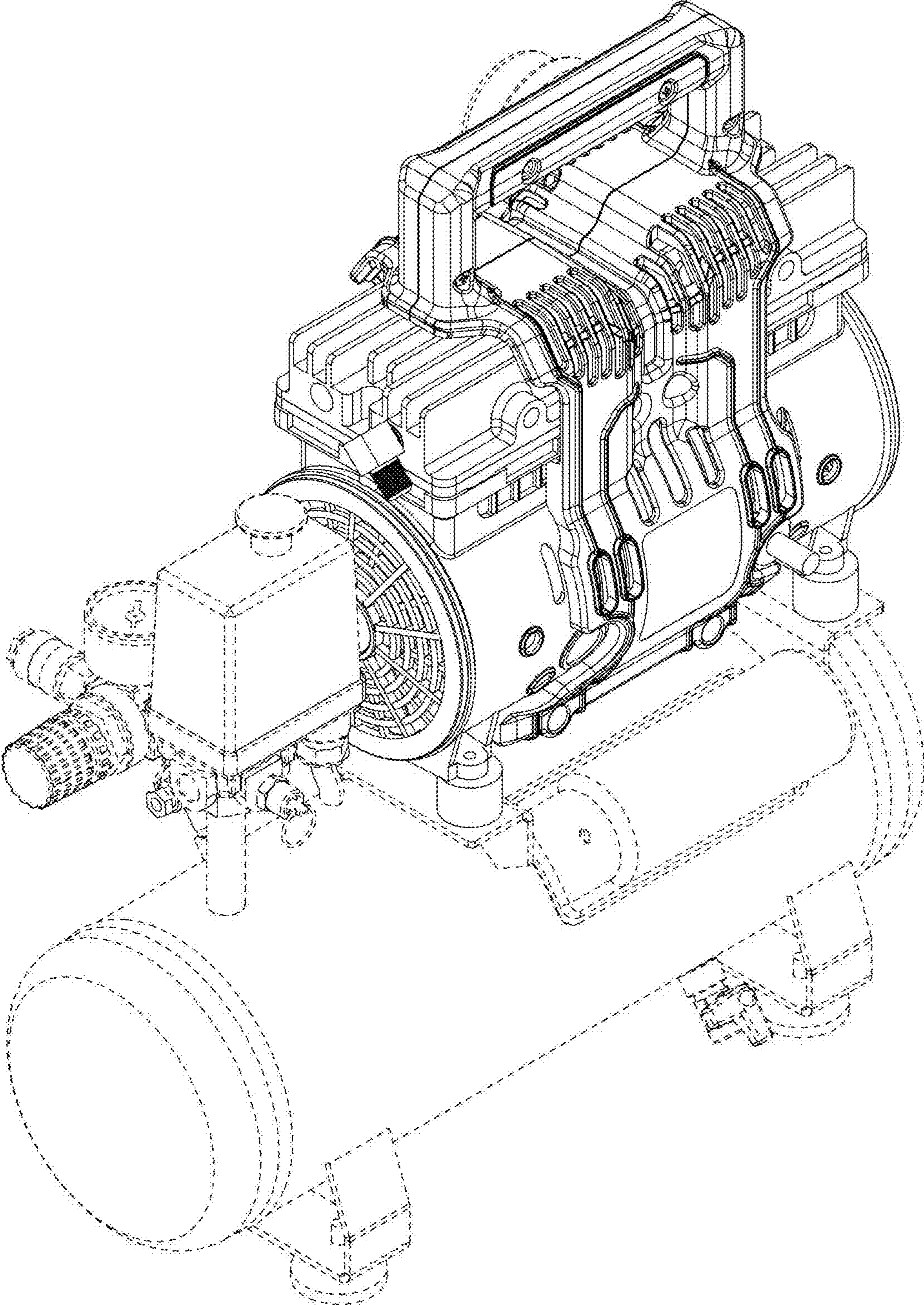


FIG. 8