



US00D965636S

(12) **United States Design Patent** (10) **Patent No.:** **US D965,636 S**
Tsutsui et al. (45) **Date of Patent:** **** Oct. 4, 2022**

(54) **BRACKET FOR OUTBOARD MOTOR**
(71) Applicant: **Hitachi Astemo, Ltd.**, Ibaraki (JP)
(72) Inventors: **Hayato Tsutsui**, Shizuoka (JP); **Naoya Taga**, Shizuoka (JP)
(73) Assignee: **Hitachi Astemo, Ltd.**, Ibaraki (JP)
(**) Term: **15 Years**
(21) Appl. No.: **29/761,460**
(22) Filed: **Dec. 9, 2020**
(51) **LOC (13) Cl.** **15-01**
(52) **U.S. Cl.**
USPC **D15/4**
(58) **Field of Classification Search**
USPC D15/4; D8/349, 354, 353, 380, 381, 382,
D8/355, 363, 371, 373; D12/223
CPC B63H 20/06; B63H 20/08; B63H 20/02
See application file for complete search history.

(56) **References Cited**
U.S. PATENT DOCUMENTS
4,637,800 A * 1/1987 Slattery B63H 20/08
440/63
D533,877 S 12/2006 Nakamura et al.
9,776,699 B1 * 10/2017 Alby B63H 20/12
2005/0260899 A1 * 11/2005 Nakamura B63H 20/12
440/53

2013/0252492 A1* 9/2013 Kadobayashi B63H 21/26
440/53
2020/0189708 A1* 6/2020 Miyashita B63H 20/12
2020/0398963 A1* 12/2020 Miyashita B63H 20/106

* cited by examiner
Primary Examiner — Ania Aman
(74) *Attorney, Agent, or Firm* — Rankin, Hill & Clark
LLP

(57) **CLAIM**
The ornamental design for a bracket for outboard motor, as
shown and described.

DESCRIPTION
FIG. 1 is a front, left side, top perspective view showing our
new design;
FIG. 2 is a front, right side, bottom perspective view thereof;
FIG. 3 is a rear, right side, top perspective view thereof;
FIG. 4 is a rear, left side, bottom perspective view thereof;
FIG. 5 is a front view thereof;
FIG. 6 is a rear view thereof;
FIG. 7 is a left side view thereof;
FIG. 8 is a right side view thereof;
FIG. 9 is a top plan view thereof;
FIG. 10 is a bottom plan view thereof; and,
FIG. 11 is a perspective view thereof in a state of use.
The broken lines in the Figures are included for the purpose
of illustrating unclaimed portions and form no part of the
claimed design.

1 Claim, 11 Drawing Sheets

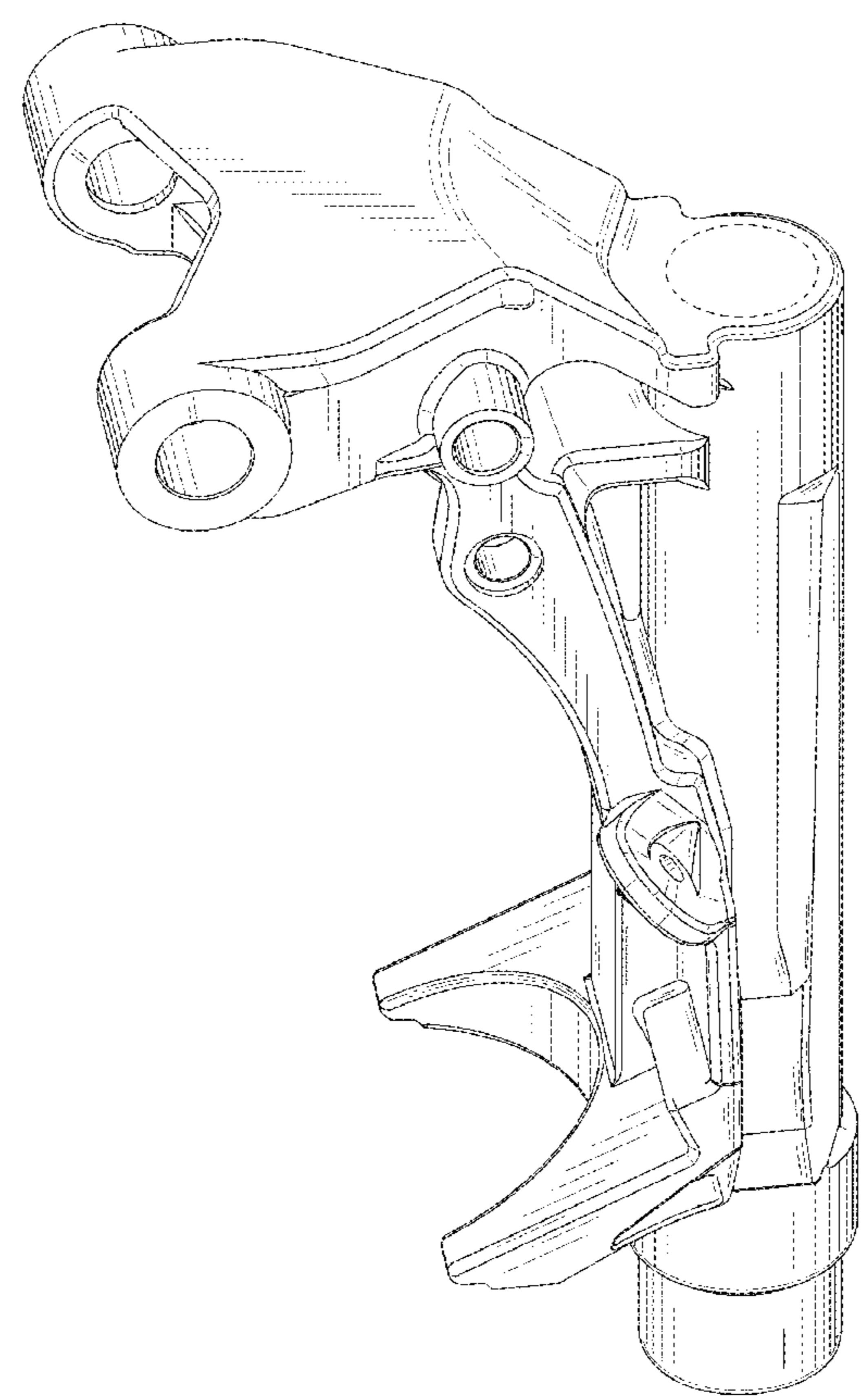


FIG. 1

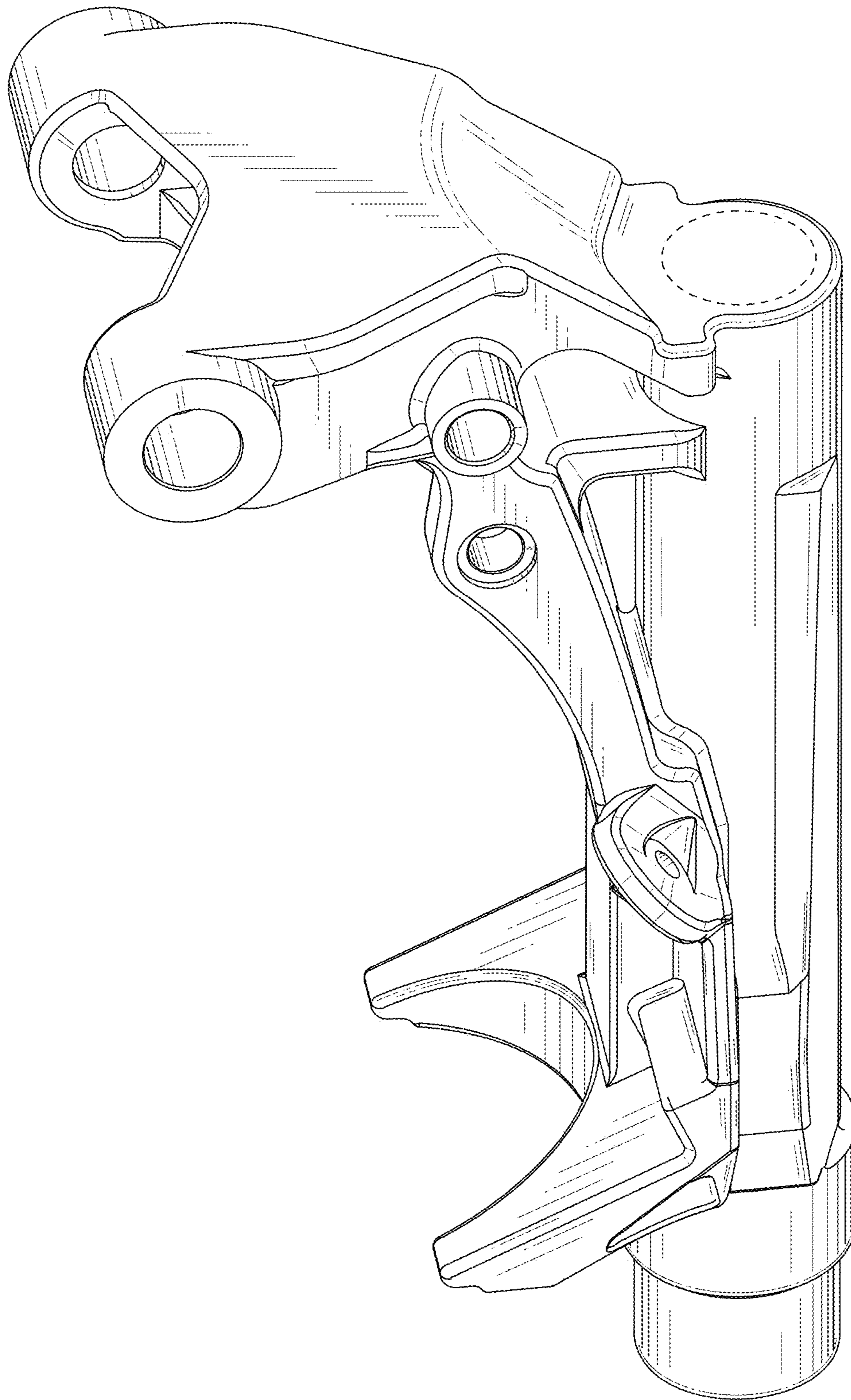


FIG.2

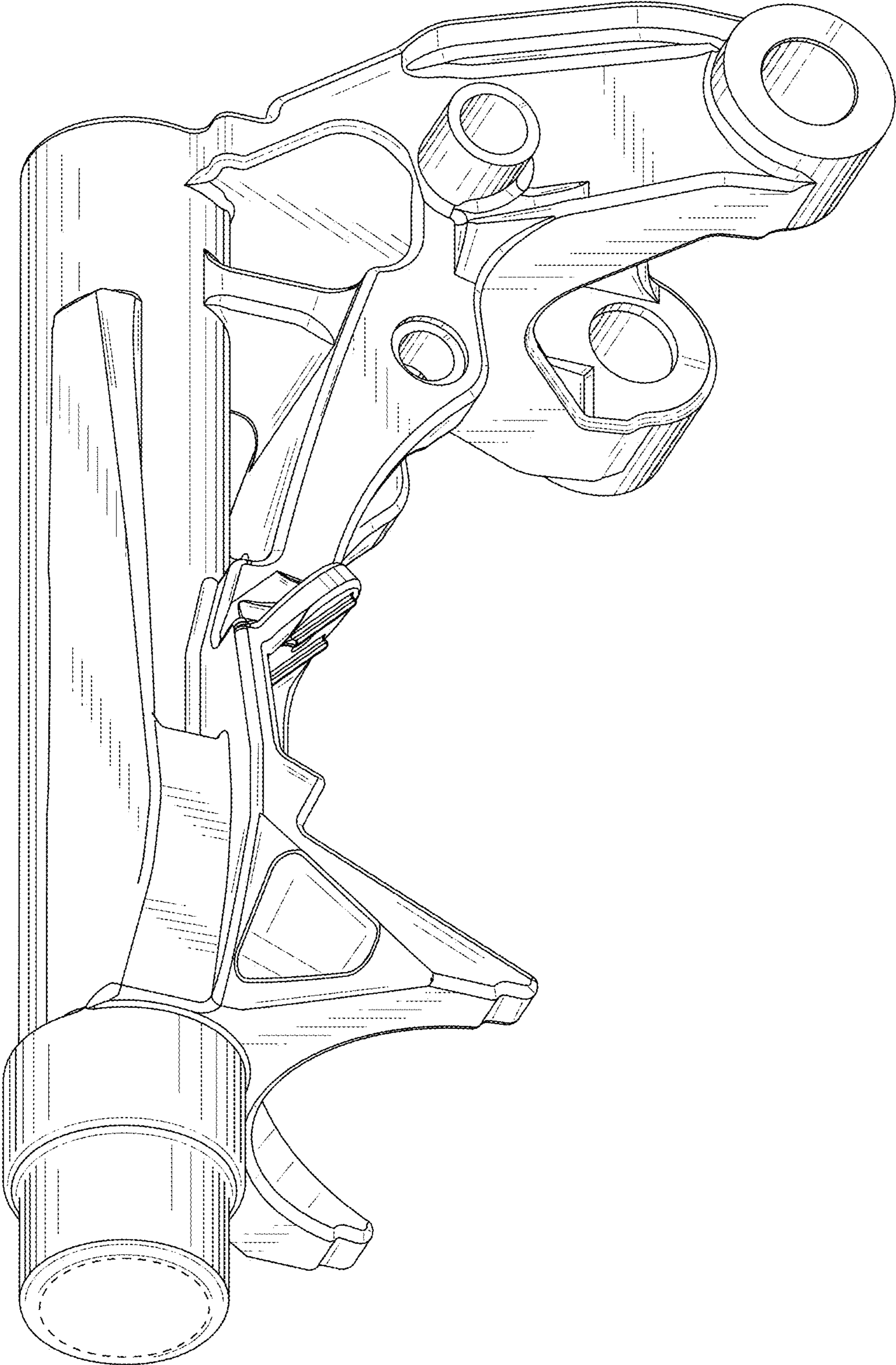


FIG.3

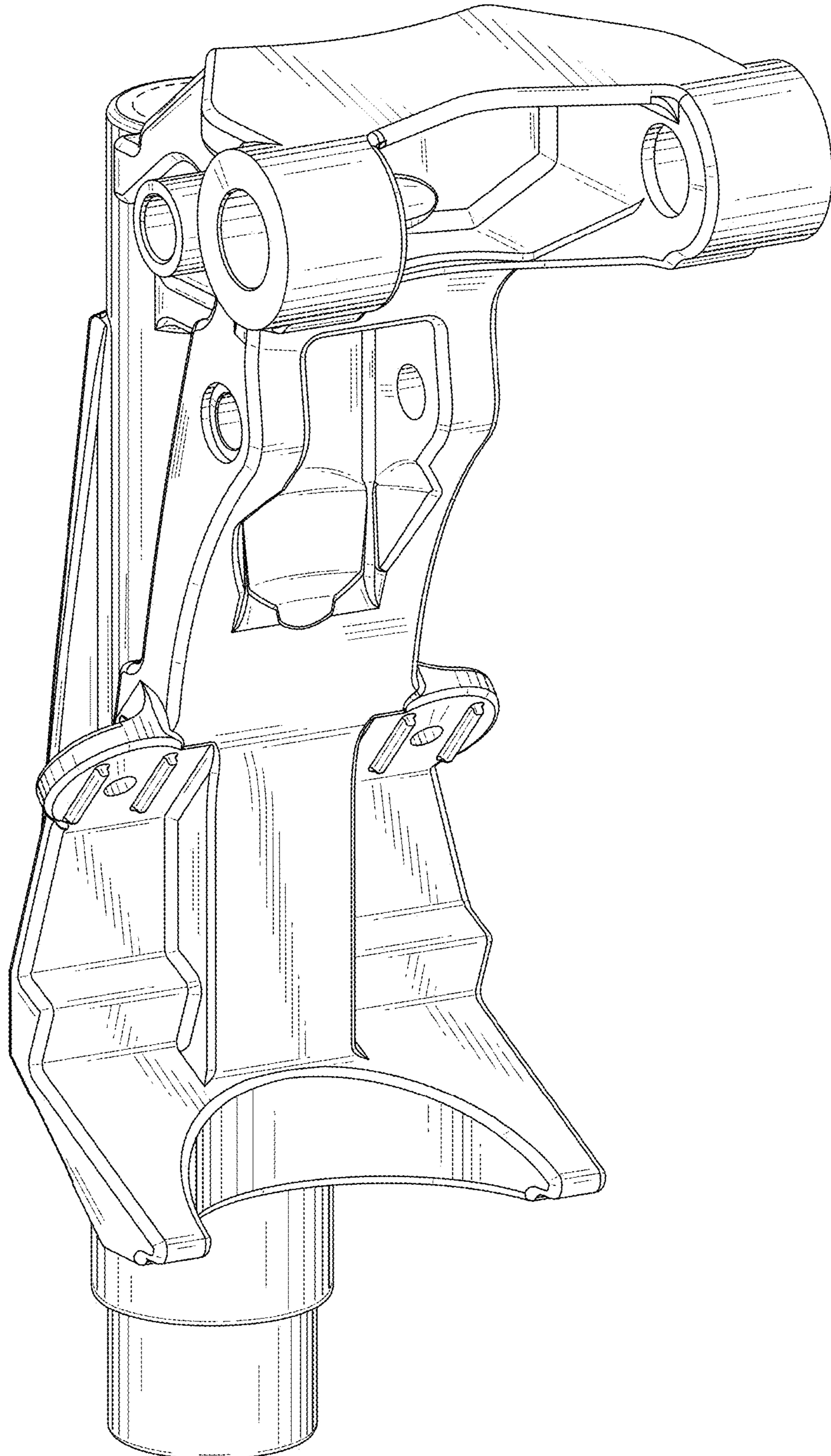


FIG.4

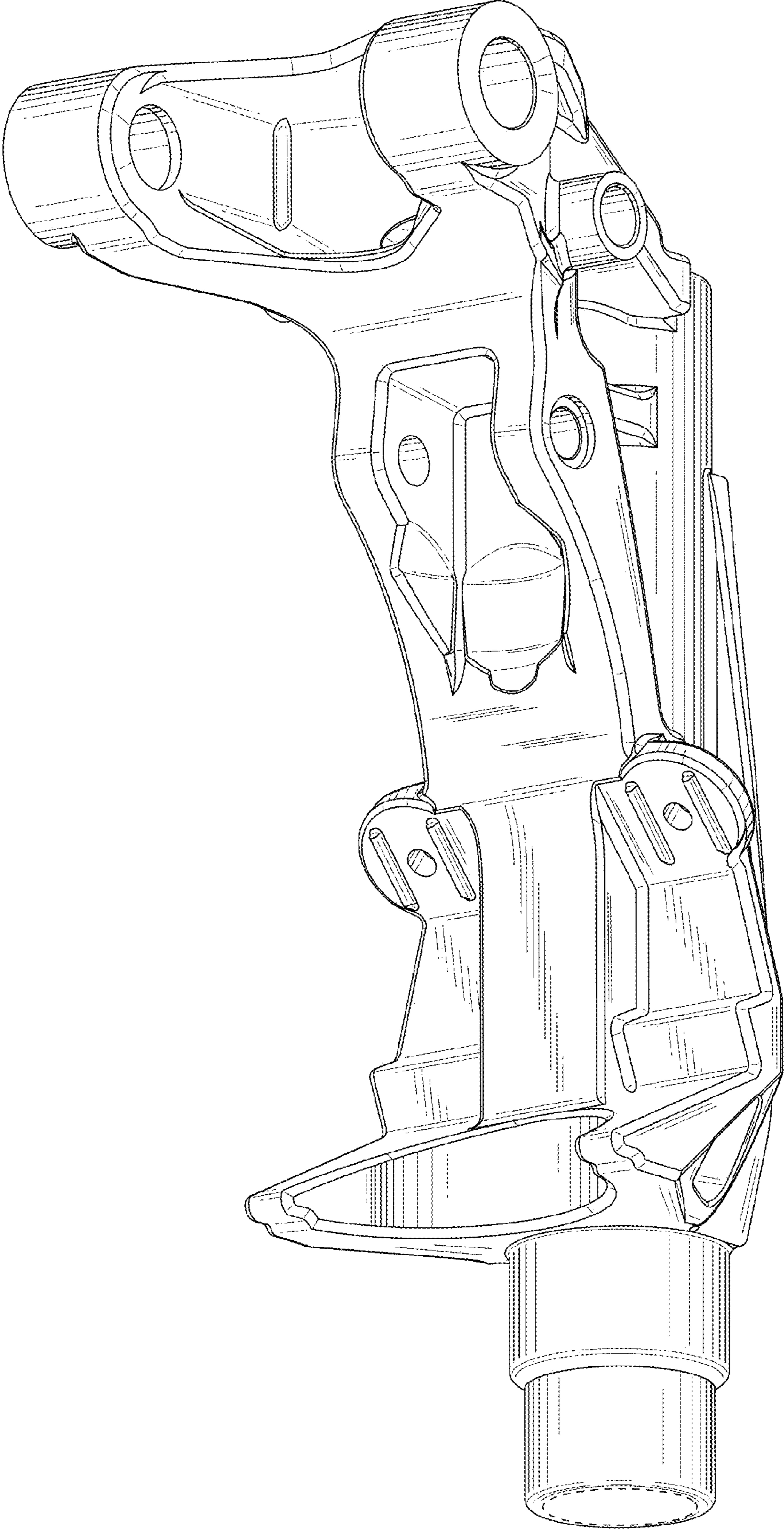


FIG.5

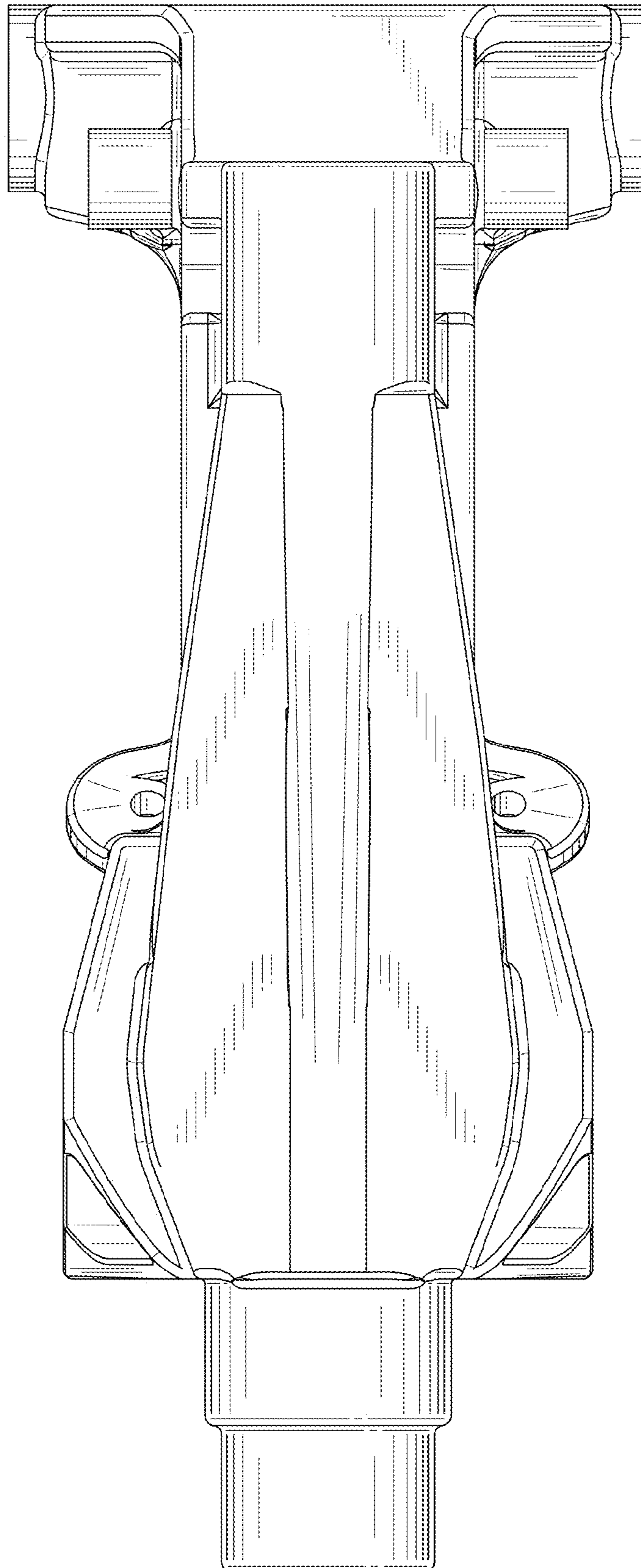


FIG.6

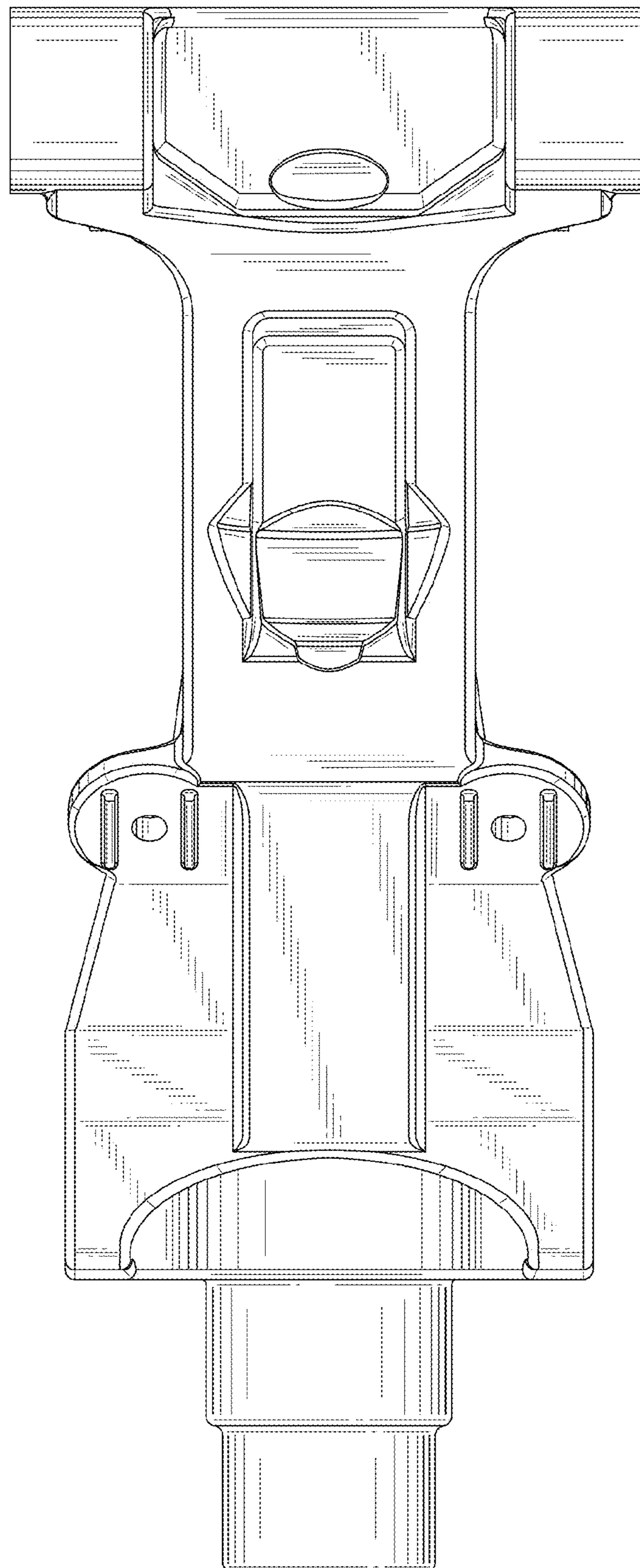


FIG. 7

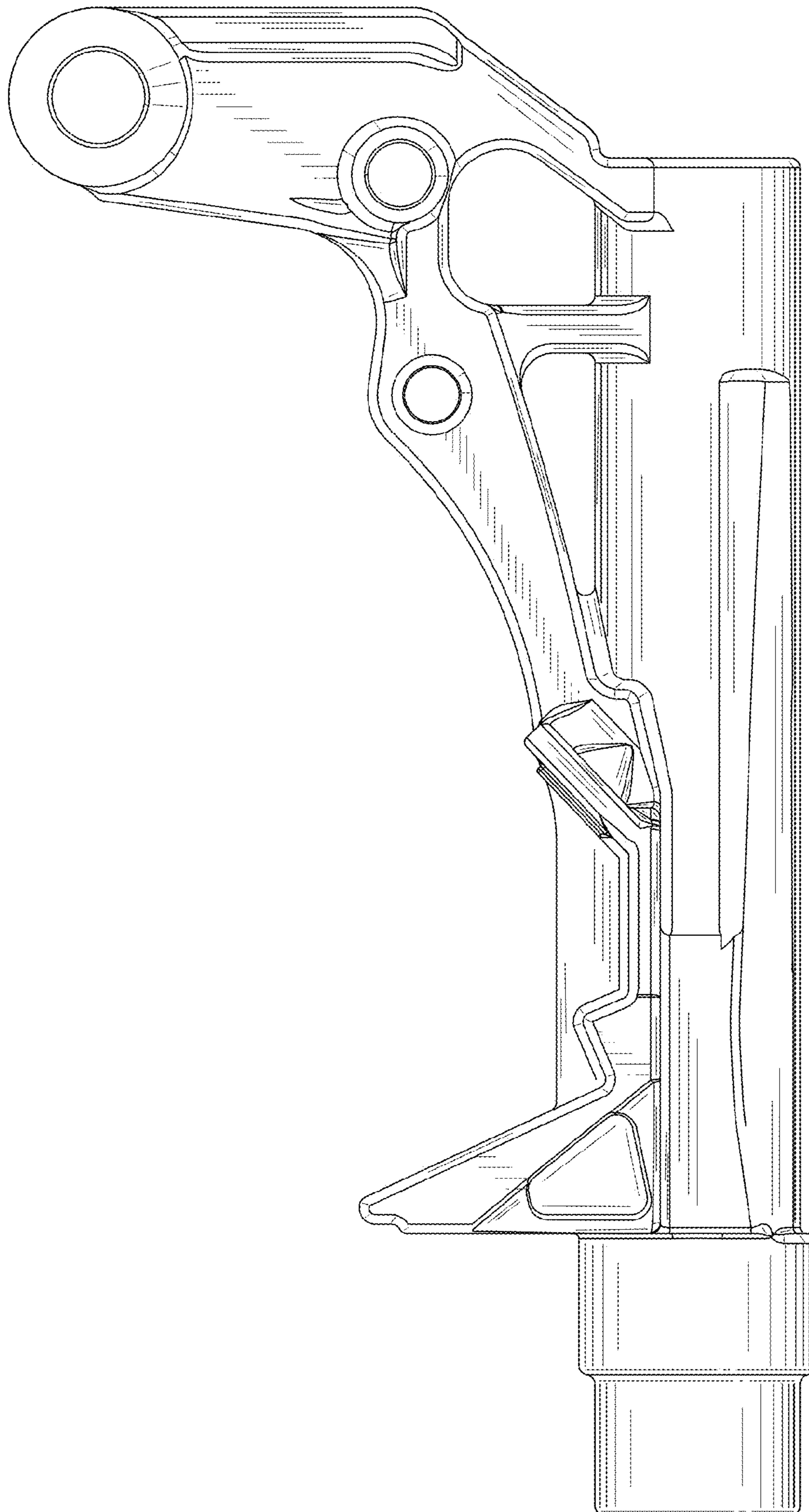


FIG.8

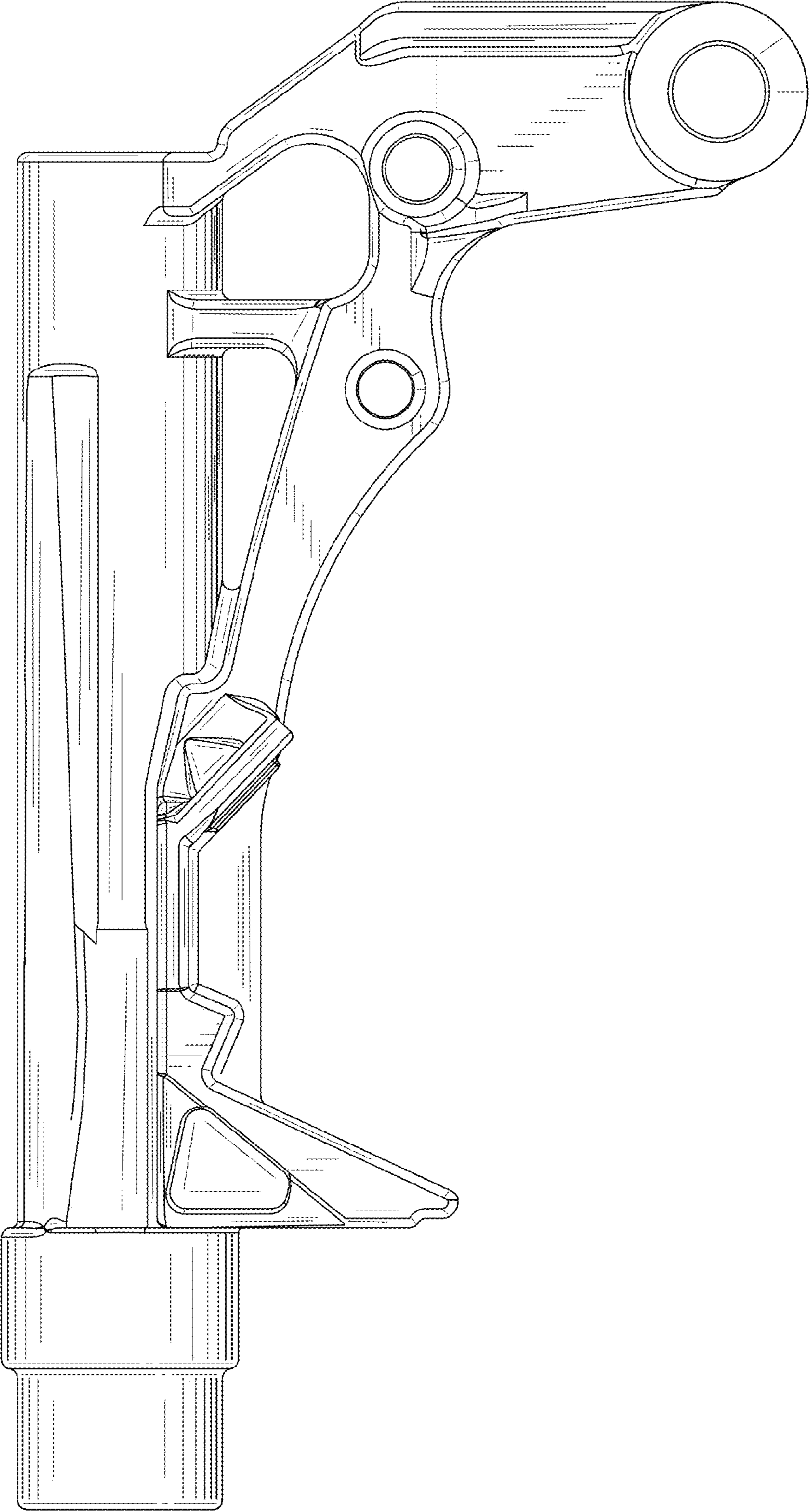


FIG.9

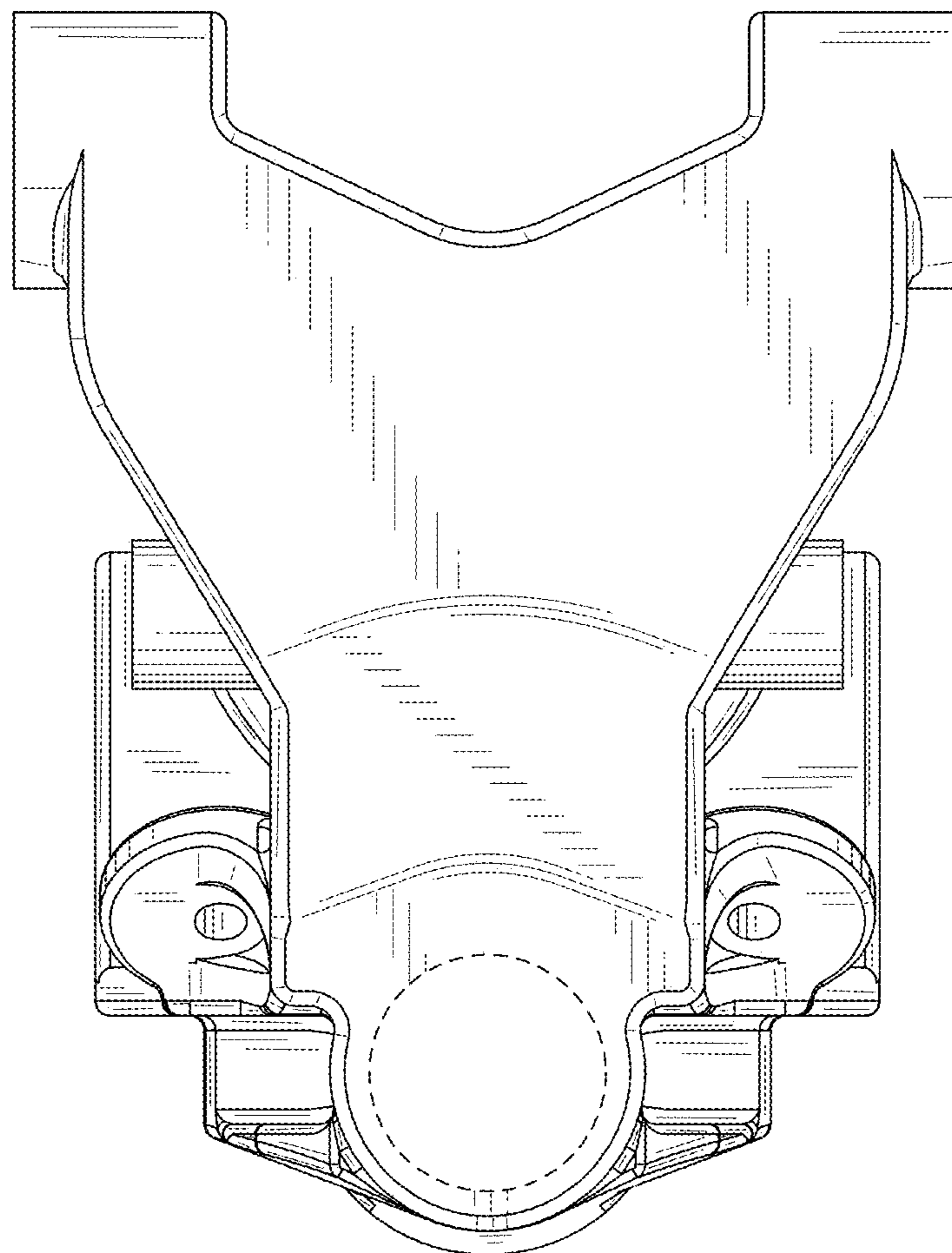


FIG. 10

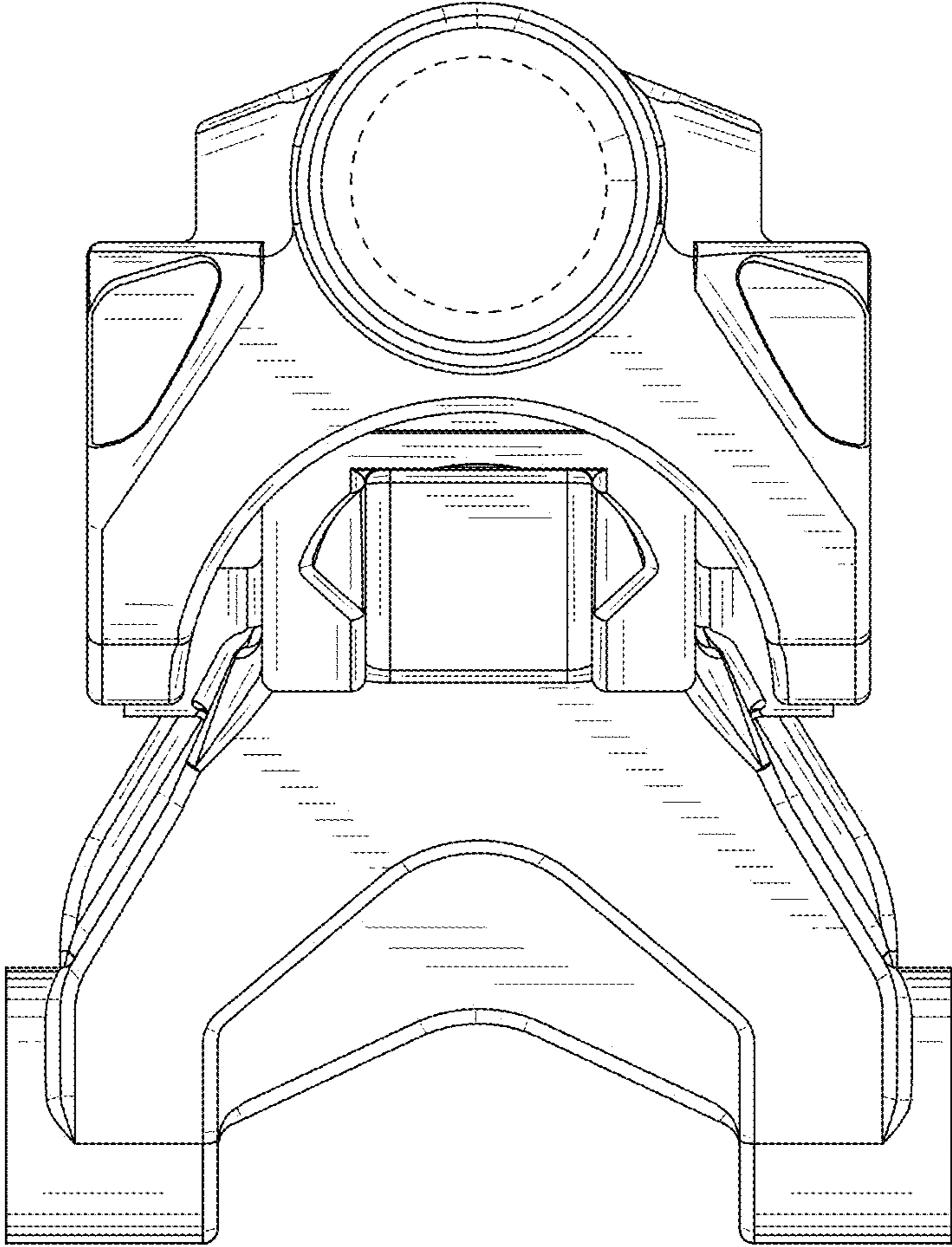


FIG.11

