



US00D965609S

(12) **United States Design Patent**
Crone et al.

(10) **Patent No.:** **US D965,609 S**
(45) **Date of Patent:** **** Oct. 4, 2022**

(54) **BREATHING APPARATUS DISPLAY SCREEN WITH GRAPHICAL USER INTERFACE**

(71) Applicant: **Fisher & Paykel Healthcare Limited**,
Auckland (NZ)

(72) Inventors: **Christopher Malcolm Crone**,
Auckland (NZ); **Christopher Simon James Quill**,
Auckland (NZ); **Jack Che-Wei Hsu**,
Manukau (NZ)

(73) Assignee: **Fisher & Paykel Healthcare Limited**,
Auckland (NZ)

(**) Term: **15 Years**

(21) Appl. No.: **29/780,070**

(22) Filed: **Apr. 22, 2021**

Related U.S. Application Data

(60) Division of application No. 29/664,366, filed on Sep. 24, 2018, now Pat. No. Des. 920,375, which is a
(Continued)

(51) **LOC (13) Cl.** **14-04**

(52) **U.S. Cl.**
USPC **D14/485**; D14/490; D14/492

(58) **Field of Classification Search**
USPC D14/485-495
CPC G06F 3/048; G06F 3/0481; G06F 3/04812;
G06F 3/04815; G06F 3/04817; G06F 3/0482;
G06F 3/0483; G06F 3/0484; G06F 3/04842;
G06F 3/04845; G06F 3/04847; G06F 3/0485;
G06F 3/04855; G06F 3/0486; G06F 3/04886; G06Q 30/00;
G06Q 30/02; G06Q 30/0237; G06Q 30/0238;
G06Q 30/0239; H03J 1/00; H03J 1/0008; H03J 1/0016;
H03J 1/0025; H04N 5/00; H04N 5/08; H04N 5/14;
H04N 5/222; H04N 5/225; H04N 5/232; H04N 5/23222; H04N

(Continued)

(56) **References Cited**

U.S. PATENT DOCUMENTS

D270,271 S 8/1983 Steele
D270,272 S 8/1983 Steele

(Continued)

FOREIGN PATENT DOCUMENTS

WO WO 2013/151448 A2 10/2013
WO WO 2015/002550 A1 1/2015

OTHER PUBLICATIONS

Hamilton Medical. "INTELLiVENT-ASV: More time and safety for your patient." youtube.com. 1:25-1:35. Oct. 2, 2012. Retrieved May 19, 2022 online at URL: https://www.youtube.com/watch?v=xN_vqjGvL5A (Year: 2012).*

(Continued)

Primary Examiner — Christian P. McLean

(74) *Attorney, Agent, or Firm* — Knobbe, Martens, Olson & Bear, LLP

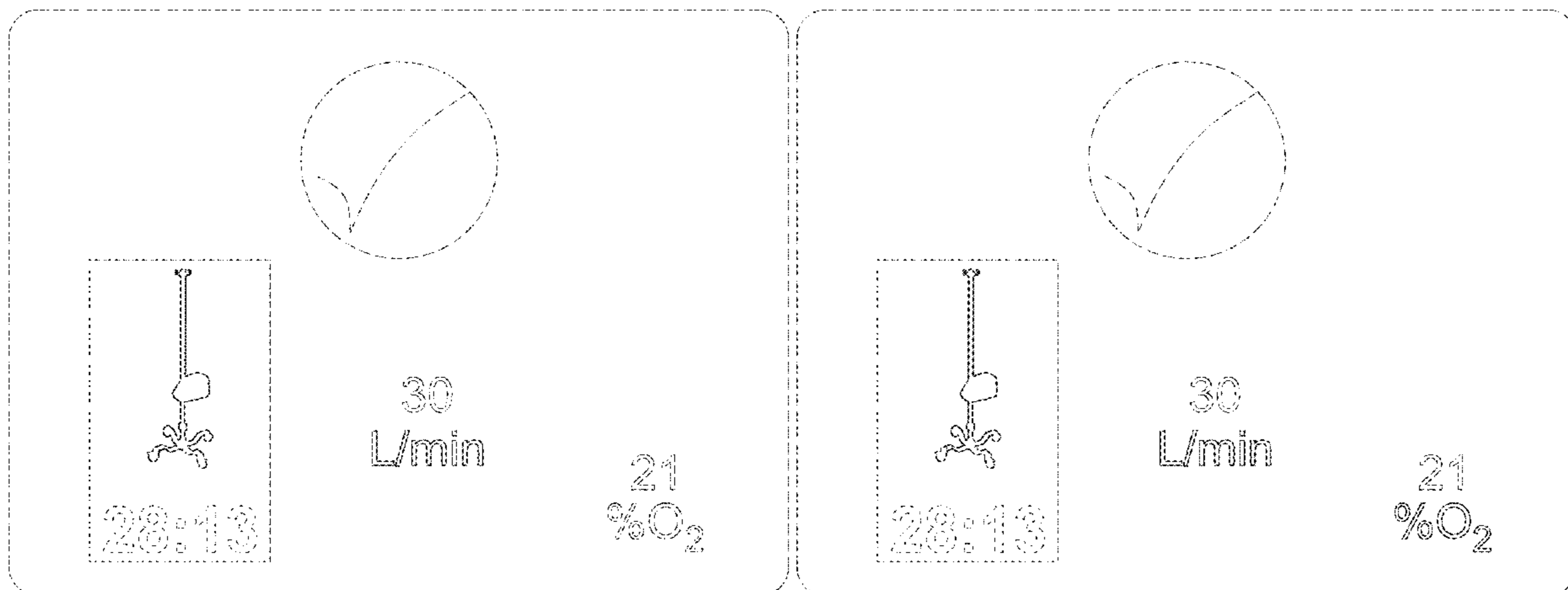
(57) **CLAIM**

The ornamental design for a breathing apparatus display screen with graphical user interface, as shown and described.

DESCRIPTION

FIG. 1 is a front view of a breathing apparatus display screen with graphical user interface; FIG. 2 is a front view of a second embodiment thereof; and, FIG. 3 is a front view of a third embodiment thereof. The outermost broken lines illustrate a display screen and form no part of the claimed design. The remaining broken lines illustrate portions of the graphical user interface that form no part of the claimed design.

1 Claim, 3 Drawing Sheets



Related U.S. Application Data

continuation of application No. 29/573,369, filed on Aug. 4, 2016, now Pat. No. Des. 832,862, which is a division of application No. 29/476,920, filed on Dec. 18, 2013, now Pat. No. Des. 766,324.

(58) **Field of Classification Search**

CPC ... 5/23293; H04N 5/232933; H04N 5/232935; H04N 5/445; H04N 5/44504; H04N 5/45; H04N 21/00; H04N 21/234; H04N 21/431; H04N 21/4312; H04N 21/4314; H04N 21/4316; H04N 21/4532; H04N 21/4622; H04N 21/47; H04N 21/478; H04N 21/482; H04N 21/4884; H04N 21/4888; H04N 21/4856; H04N 21/485; H04N 21/6547

See application file for complete search history.

(56) **References Cited**

U.S. PATENT DOCUMENTS

D414,554 S 9/1999 Salmon et al.
 D432,100 S 10/2000 Zink
 D511,170 S 11/2005 Totten et al.
 D522,121 S 5/2006 Carl
 D523,868 S 6/2006 Kuroda
 D533,875 S 12/2006 Miles
 7,244,225 B2 7/2007 Loeb
 D549,721 S 8/2007 Ito
 D549,722 S 8/2007 Ito
 D550,701 S 9/2007 Jewitt
 D551,249 S 9/2007 McComber
 D552,121 S 10/2007 Carl
 D552,122 S 10/2007 Carl
 D563,977 S 3/2008 Carl
 D585,903 S 2/2009 Yamaoka
 D590,778 S 4/2009 Drews
 D591,246 S 4/2009 Drews et al.
 D591,692 S 5/2009 Drews et al.
 D592,153 S 5/2009 Engel et al.
 D592,154 S 5/2009 Drews et al.
 D592,155 S 5/2009 Drews et al.
 D592,156 S 5/2009 Drews et al.
 D592,184 S 5/2009 Ragde, Jr. et al.
 D596,588 S 7/2009 Ohlert et al.
 D602,944 S 10/2009 Barkhouse et al.
 D623,194 S 9/2010 Cook
 D626,560 S 11/2010 Fitzmaurice et al.
 D626,561 S 11/2010 Batchelder et al.
 D627,791 S 11/2010 Lamb et al.
 D637,607 S 5/2011 Batchelder et al.
 D637,608 S 5/2011 Batchelder et al.
 D637,609 S 5/2011 Batchelder et al.
 D637,610 S 5/2011 Batchelder et al.
 D637,611 S 5/2011 Batchelder et al.
 D637,612 S 5/2011 Batchelder et al.
 D637,613 S 5/2011 Batchelder
 D637,614 S 5/2011 Batchelder
 D637,615 S 5/2011 Batchelder
 D638,028 S 5/2011 Cook et al.
 D641,375 S 7/2011 Vadlamani et al.
 D647,102 S 10/2011 Tokunaga et al.
 D649,557 S 11/2011 Duchene et al.
 D657,368 S 4/2012 Magee et al.
 D659,708 S 5/2012 Amos
 D664,205 S 7/2012 Xu et al.
 D667,837 S 9/2012 Magee et al.
 D667,838 S 9/2012 Magee et al.
 D678,302 S 3/2013 Trumble et al.
 D680,131 S 4/2013 Anzures
 D683,754 S 6/2013 Phelan
 D683,764 S 6/2013 Ridl
 D684,190 S 6/2013 Ridl et al.
 8,460,223 B2 6/2013 Huster
 D686,240 S 7/2013 Lin

D687,445 S 8/2013 Fuhrmann
 D687,461 S 8/2013 Tyler et al.
 D687,838 S 8/2013 Poeppel
 D688,679 S 8/2013 Osborne
 D695,309 S 12/2013 Lee
 D696,289 S 12/2013 Kern et al.
 D706,823 S 6/2014 Abratowski et al.
 D709,082 S 7/2014 Meegan
 D709,083 S 7/2014 Meegan
 D711,419 S 8/2014 Folken
 D711,904 S 8/2014 Sundy
 D711,905 S 8/2014 Morrison
 D717,811 S 11/2014 Alldredge
 D723,585 S 3/2015 Brunner et al.
 D731,512 S 6/2015 Xu et al.
 D734,773 S 7/2015 Barbato
 D737,284 S 8/2015 Folken
 D737,285 S 8/2015 Folken
 D737,286 S 8/2015 Folken
 D737,287 S 8/2015 Folken
 D740,304 S 10/2015 MacLean
 D743,982 S 11/2015 Lee
 D751,113 S 3/2016 Kim et al.
 D751,576 S 3/2016 Kim et al.
 D754,194 S 4/2016 Su
 D754,732 S 4/2016 Yoon et al.
 D755,837 S 5/2016 Lee
 D757,806 S 5/2016 Choi
 D758,436 S 6/2016 Ok
 D759,116 S 6/2016 Dellinger
 9,374,429 B2 6/2016 Gaiser et al.
 D765,726 S 9/2016 Han et al.
 D766,321 S 9/2016 Han et al.
 D766,322 S 9/2016 Han et al.
 D766,324 S 9/2016 Crone et al.
 D769,937 S 10/2016 Kenny et al.
 D770,522 S 11/2016 Crone et al.
 D772,249 S 11/2016 Choi et al.
 D775,663 S 1/2017 Akana et al.
 D776,143 S 1/2017 Makowski et al.
 D776,702 S 1/2017 Huang et al.
 D778,949 S 2/2017 Han et al.
 D780,781 S 3/2017 Ding et al.
 D780,805 S 3/2017 van Os
 D787,527 S 5/2017 Wilberding
 D801,992 S 11/2017 Fischbach
 D802,014 S 11/2017 Dragoi et al.
 D808,398 S 1/2018 Beaty et al.
 D808,400 S 1/2018 Coren
 D809,522 S 2/2018 Mizono et al.
 D822,690 S * 7/2018 Amidei D14/486
 D832,862 S 11/2018 Crone et al.
 D863,329 S * 10/2019 Hu D14/486
 D866,570 S * 11/2019 Burroughs D14/485
 D876,534 S 2/2020 Bauer et al.
 D907,646 S 1/2021 Fischbach
 D920,375 S 5/2021 Crone et al.
 D920,376 S 5/2021 Crone et al.
 D939,577 S * 12/2021 Zhou D14/494
 D939,578 S * 12/2021 Song D14/494
 D939,579 S * 12/2021 Zhou D14/494
 D940,749 S * 1/2022 DeDonato D14/488
 2009/0150807 A1 6/2009 George
 2010/0293496 A1 11/2010 Lafferty et al.
 2015/0020801 A1 1/2015 Frame et al.
 2015/0081367 A1 3/2015 Westlake
 2015/0348001 A1 12/2015 Van Os et al.
 2016/0077684 A1 3/2016 Liu et al.
 2016/0144148 A1 5/2016 Crone et al.

OTHER PUBLICATIONS

“Alpha Ventilator: Introducing a New Paradigm in Ventilator Management.” abmrc.com. Available May 18, 2021. Retrieved May 19, 2022 via Internet Archive Wayback Machine via URL: <https://web.archive.org/web/20210518150102/https://abmrc.com/alpha-ventilator/> (Year: 2019).*

“Idea: Design Award Winners, 2008”; Bloomberg Business. 2008.

(56)

References Cited

OTHER PUBLICATIONS

Accessed Jan. 19, 2016. Available online at URL: <http://www.bloomberg.com/ss/08/07/0717_idea_winners/117.htm>.

"3d render of saline stands," dreamstime.com. Date not available. Accessed Jan. 19, 2016. Available online at URL: <<http://www.dreamstime.com/illustration/saline.html#details40047035>>.

"Stainless Steel IV Poles: C-IV-1001D." Centicare Corporation. Date not available. Accessed Jan. 19, 2016. Available online at URL: <http://www.centicare.com/iv_1001D.html>.

U.S. Appl. No. 29/781,390, filed Apr. 29, 2021, Crone et al.

"Free Vector Clipart Checkmark." cliparts101.com. Uploaded Jul. 23, 2010. Accessed Mar. 28, 2017. Available online at URL: <http://www.cliparts101.com/free_clipart/8985/checkmark>.

"Check Mark." istockphoto.com. Uploaded Aug. 10, 2015. Accessed Mar. 28, 2017. Available online at URL: <<http://www.istockphoto.com/vector/check-mark-flat-icon-black-button-for-web-vector-eps-10-gm4838781-84-70824003>>.

"Check mark, vector." colourbox.com. Date not available. Accessed Mar. 28, 2017. Available online at URL: <<https://www.colourbox.com/vector/check-mark-vector-24617487>>.

U.S. Trademark 86386938. Filed Sep. 5, 2014 by Malauzai Software, Inc. TESS Trademark Online Database.

Fisher & Paykel Healthcare "AIRVO 2", User Manual, pp. A-2 to A-12, at least by Jun. 29, 2012.

Fisher & Paykel Healthcare "AIRVO 2" Technical Manual, pp. 1-18, at least by Jun. 29, 2012.

* cited by examiner

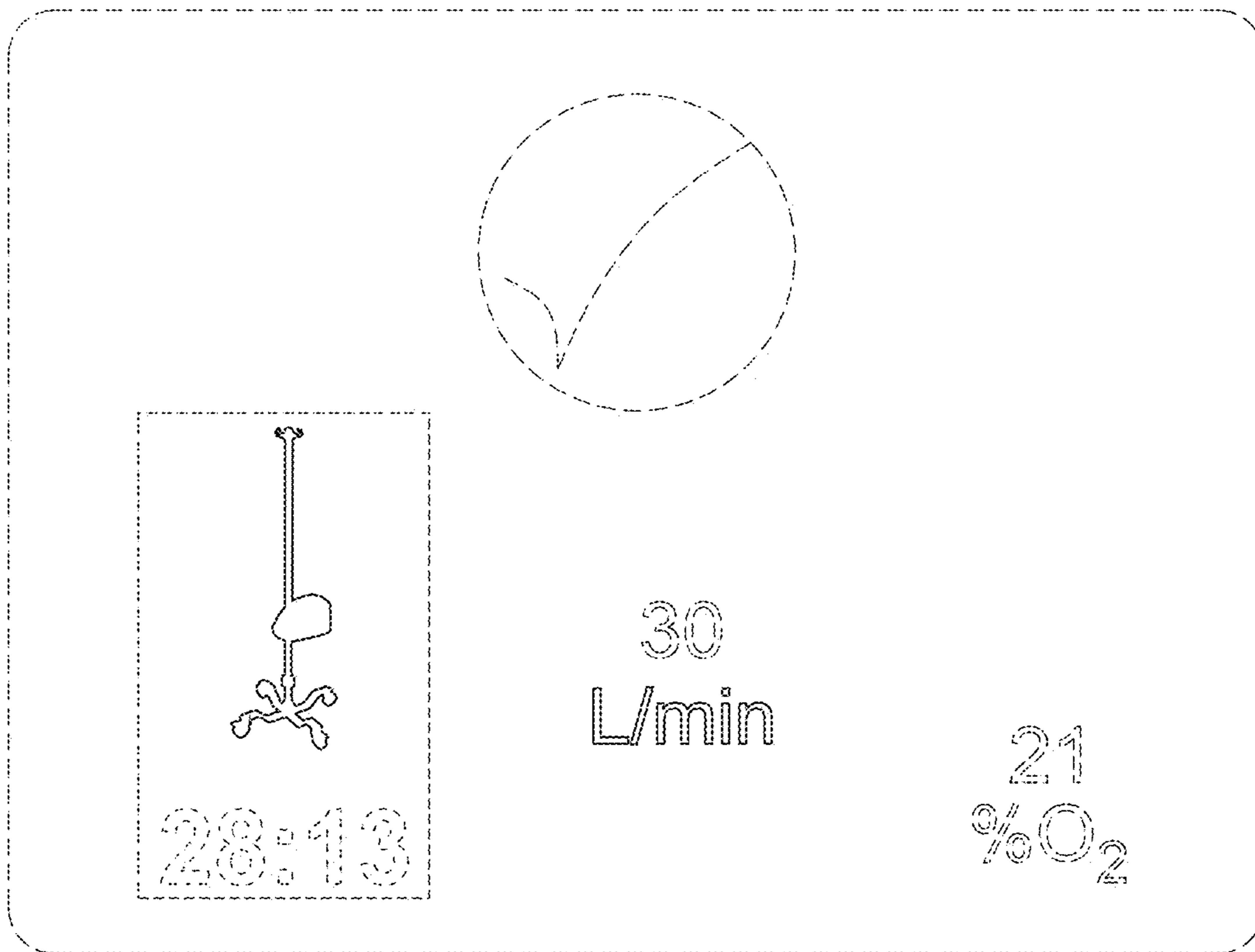


FIG. 1

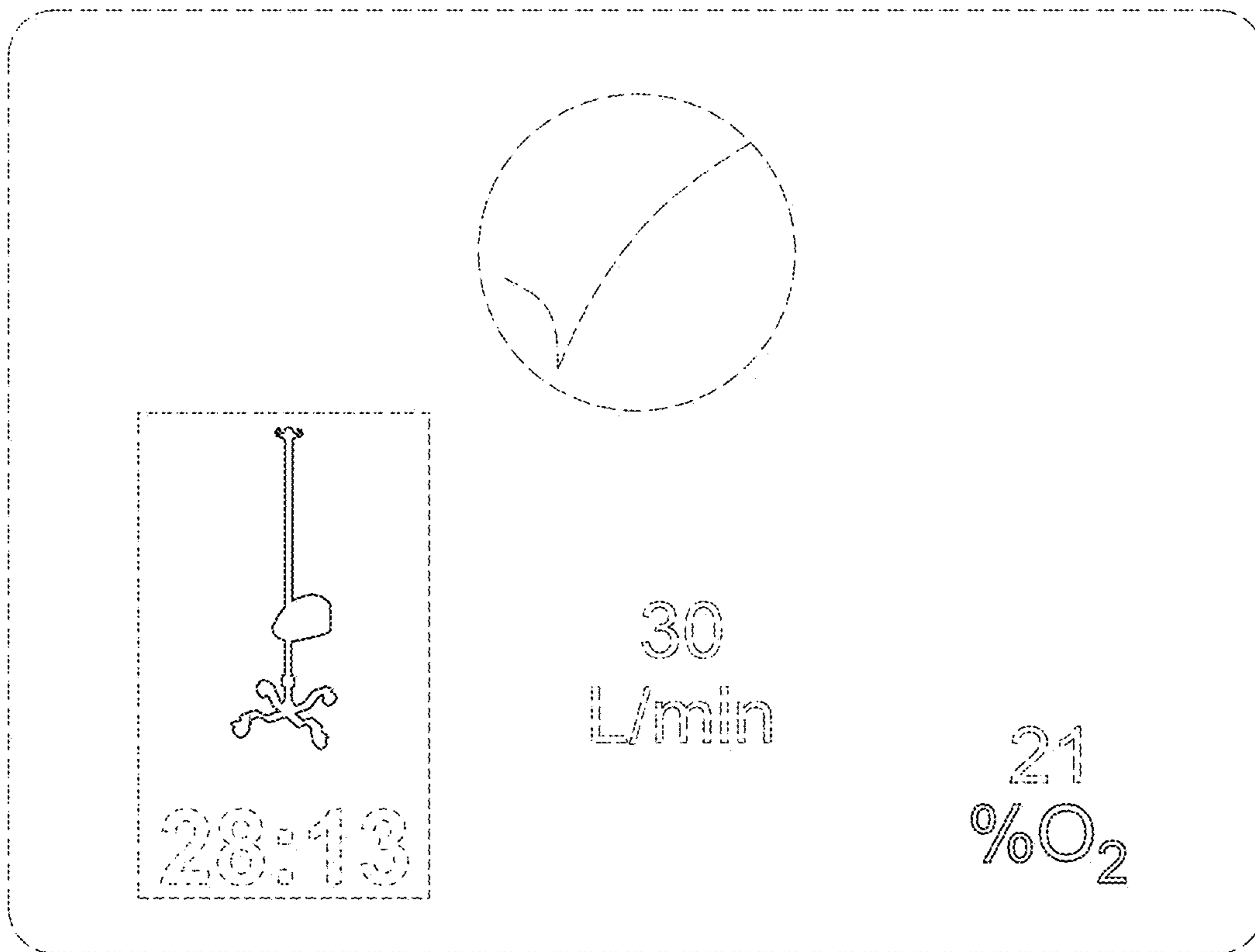


FIG. 2

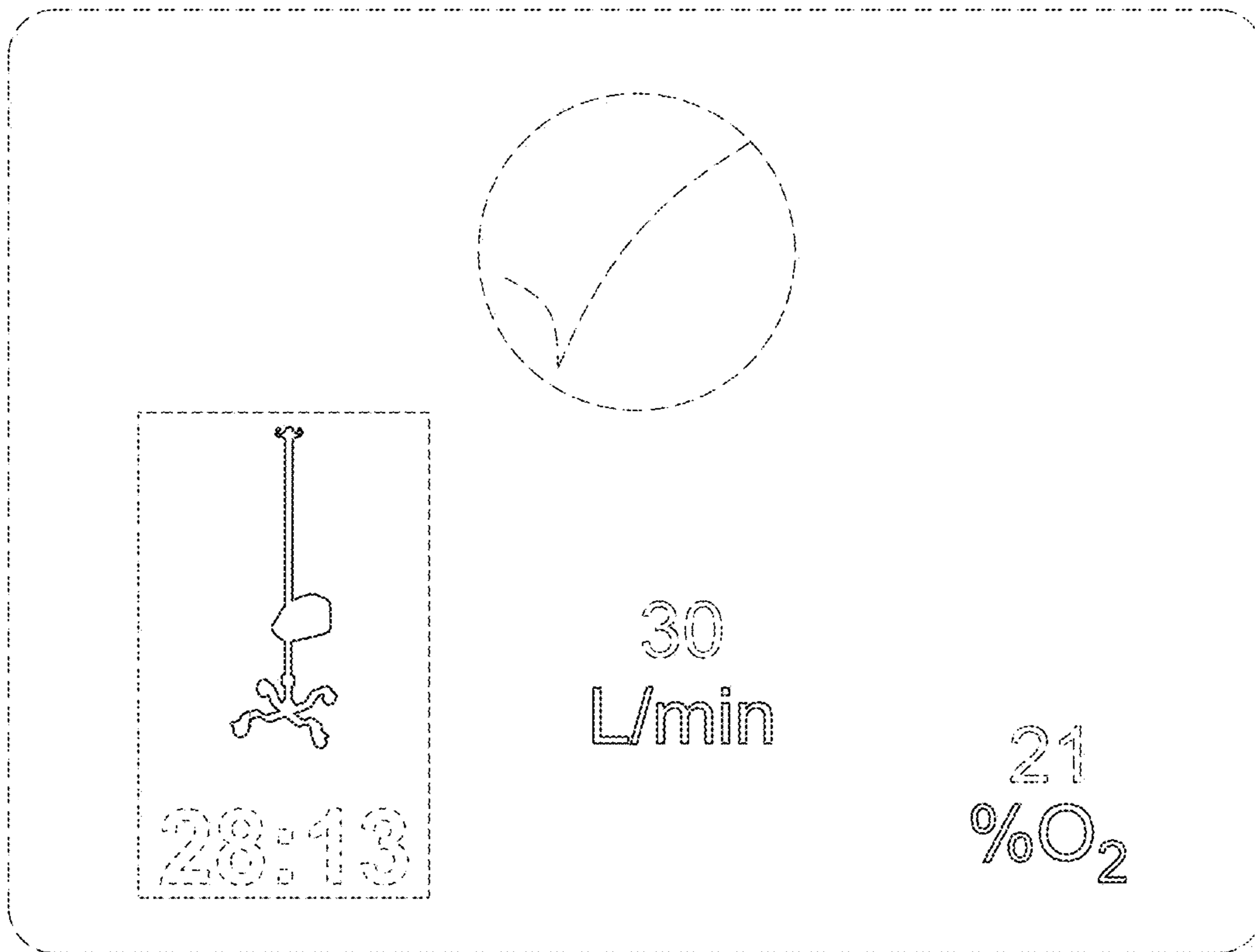


FIG. 3