



US00D965602S

(12) **United States Design Patent** (10) **Patent No.:** **US D965,602 S**
Hu (45) **Date of Patent:** **** Oct. 4, 2022**

(54) **LAPTOP STAND**

FOREIGN PATENT DOCUMENTS

(71) Applicant: **Guangming Hu**, Shaoguan (CN)

CN 306778039 S 8/2021
CN 306786505 S 8/2021
CN 306840212 * 9/2021

(72) Inventor: **Guangming Hu**, Shaoguan (CN)

(**) Term: **15 Years**

OTHER PUBLICATIONS

(21) Appl. No.: **29/808,977**

Amazon.com_ GITSEE Laptop Stand, first available Jan. 12, 2022 [online], retrieved Jul. 27, 2022, available at URL: <https://a.co/d/gUKNiL0> (Year: 2022).*

(22) Filed: **Sep. 24, 2021**

* cited by examiner

(51) **LOC (13) Cl.** **14-02**

Primary Examiner — Wendy L Arminio
Assistant Examiner — Carrie S Gelula

(52) **U.S. Cl.**

USPC **D14/447**

(58) **Field of Classification Search**

(57) **CLAIM**

USPC D14/251, 252, 253, 432, 433, 434, 440,
D14/447, 451, 452, 457; D6/300, 309,
D6/312, 406.3, 406.4, 406.5, 406.6, 655,
D6/656; D19/91, 113; D13/107, 108
CPC A47B 2023/049; A47B 2097/006; A47B
23/04; A47B 23/043; A47B 23/044

The ornamental design for a laptop stand, substantially as shown and described.

See application file for complete search history.

DESCRIPTION

(56) **References Cited**

U.S. PATENT DOCUMENTS

D690,708 S * 10/2013 Smith D14/447
9,997,149 B2 * 6/2018 Trifilio G10G 5/00
D903,689 S * 12/2020 Zheng D14/447
D920,332 S * 5/2021 Du D14/375
D923,631 S 6/2021 Chen
D925,545 S 7/2021 Chen
D936,662 S * 11/2021 Gao D14/447
D950,568 S * 5/2022 Xiong D14/447
D951,960 S * 5/2022 Shen D14/447
D955,397 S * 6/2022 Huang D14/447

FIG. 1 is a top, front and right side perspective view of a laptop stand showing my new design in a configuration for a laptop;

FIG. 2 is a front elevational view thereof;

FIG. 3 is a rear elevational view thereof;

FIG. 4 is a left side elevational view thereof;

FIG. 5 is a right side elevational view thereof;

FIG. 6 is a top plan view thereof;

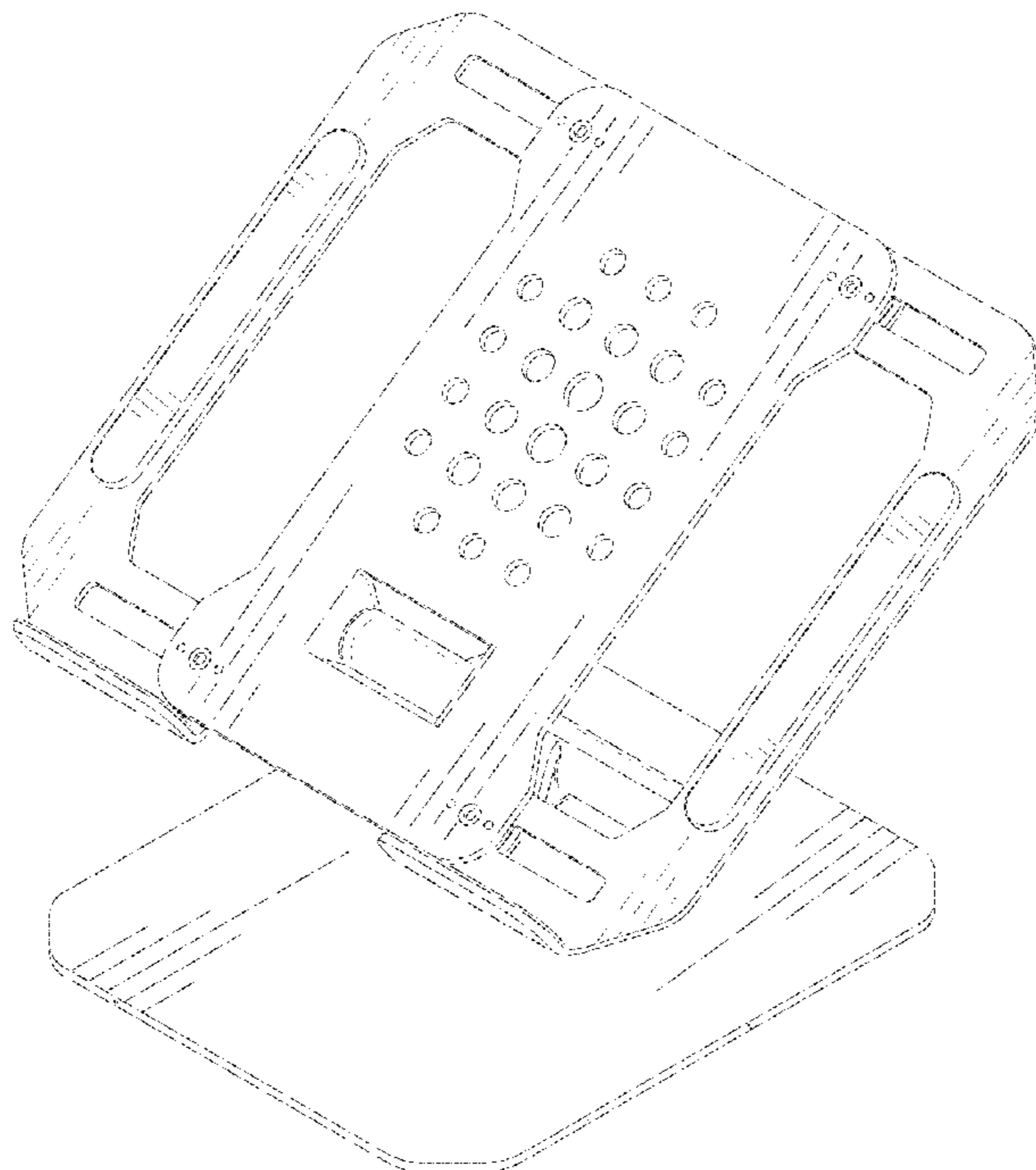
FIG. 7 is a bottom plan view thereof;

FIG. 8 is a top, front and right side perspective view of the laptop stand of FIG. 1 shown in an alternative configuration for a tablet;

FIG. 9 is a top, front and right side perspective view of the laptop stand of FIG. 8 shown in a folded configuration; and,

FIG. 10 is a right side elevational view thereof.

1 Claim, 10 Drawing Sheets



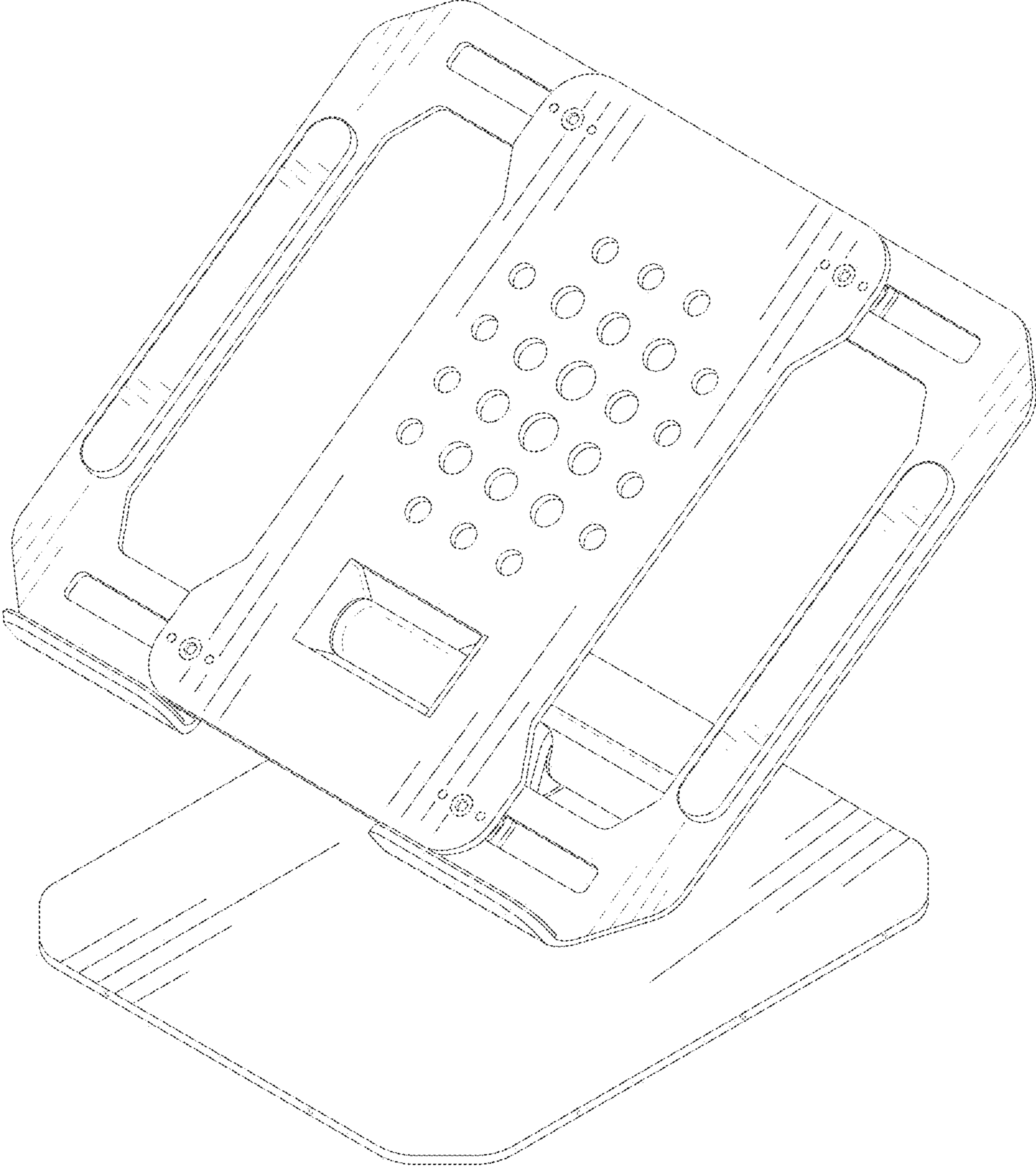


FIG.1

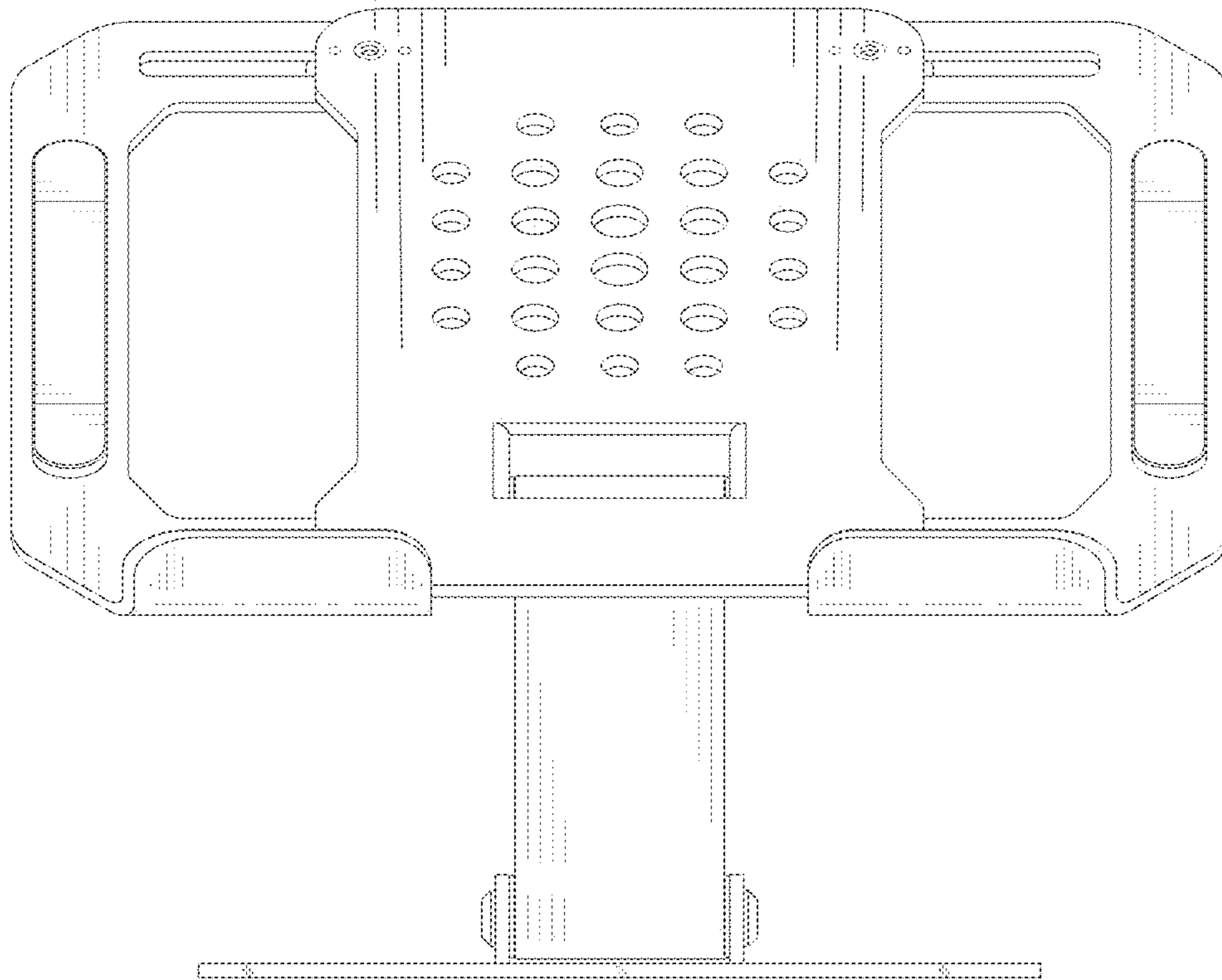


FIG.2

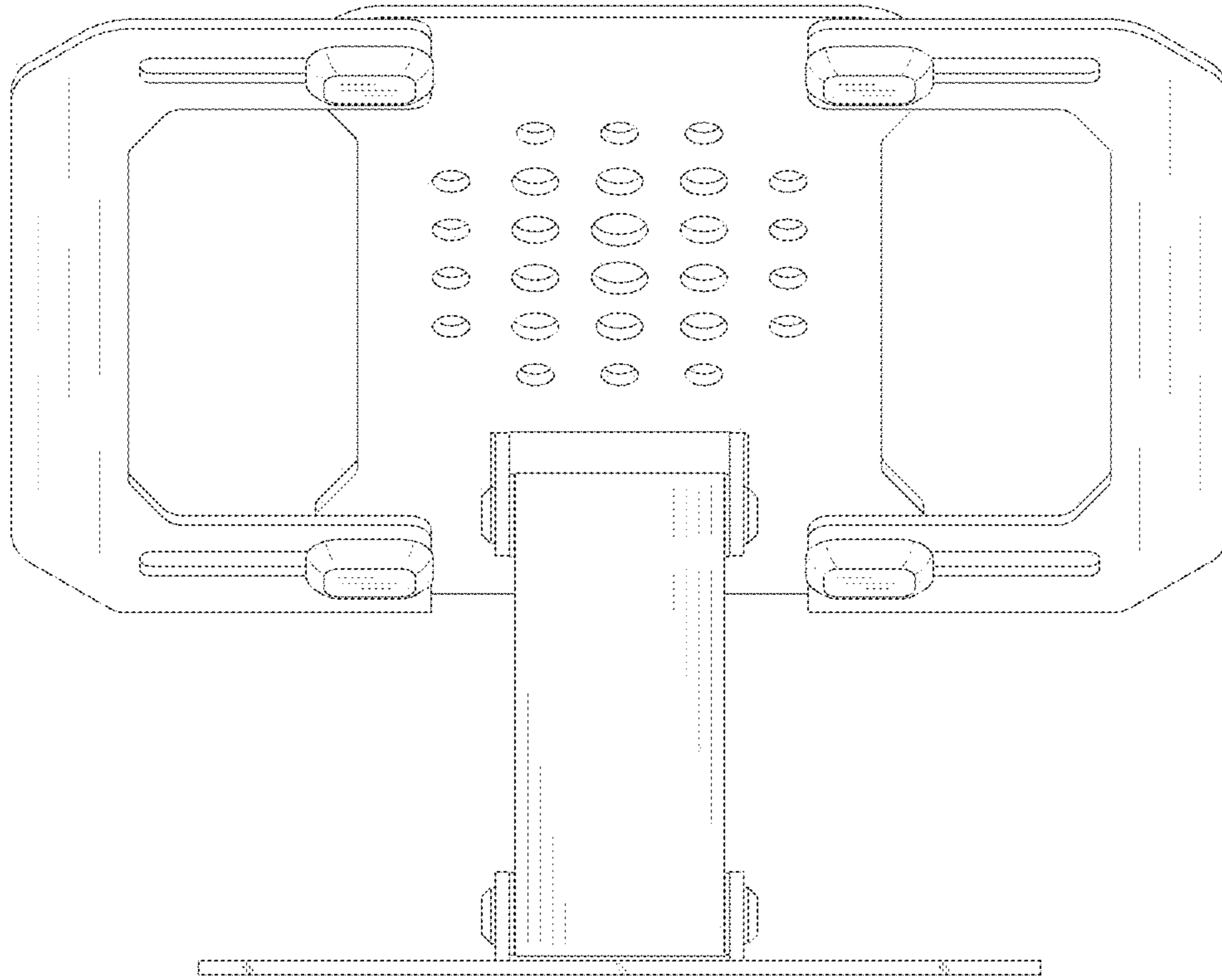


FIG.3

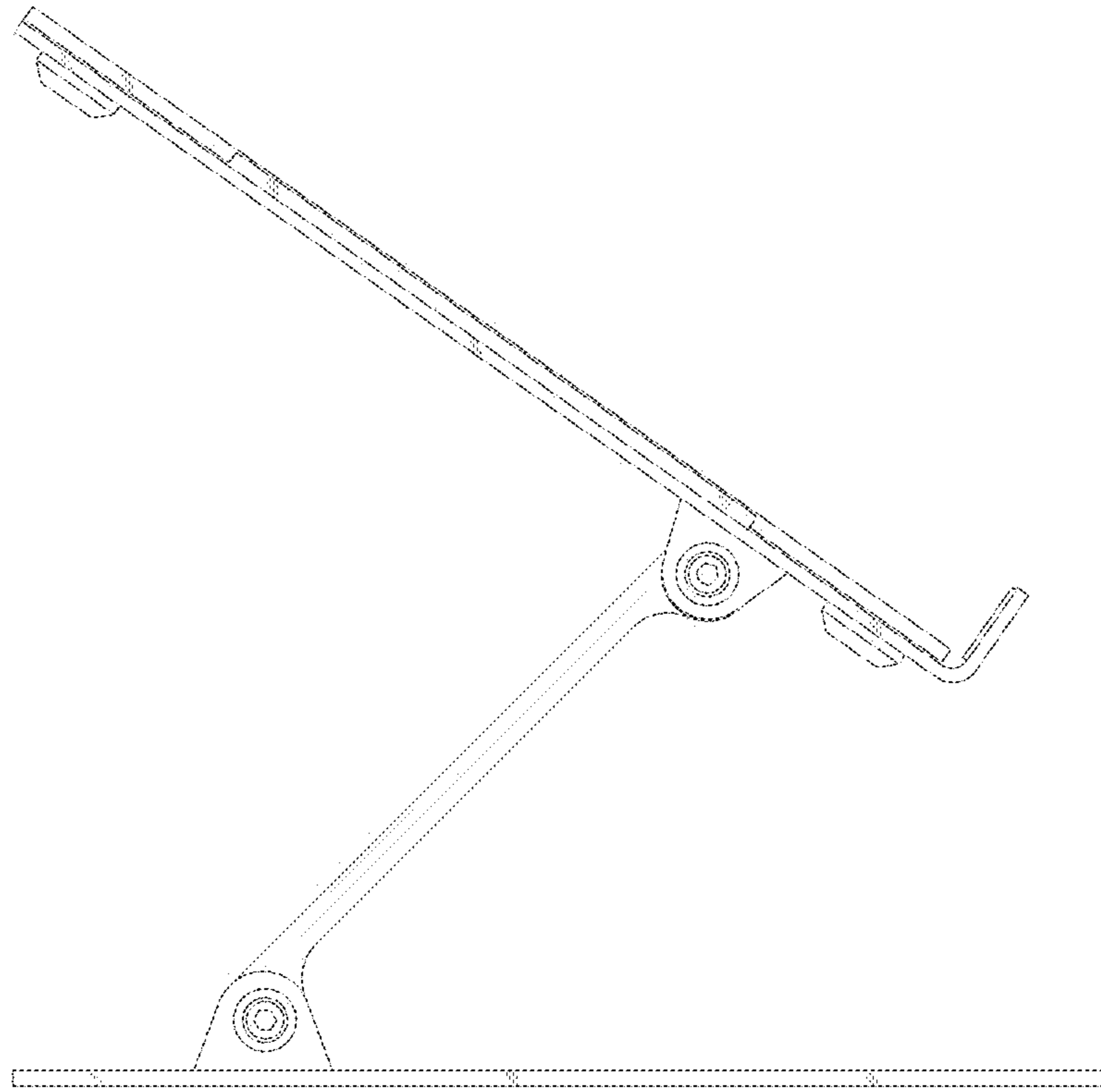


FIG.4

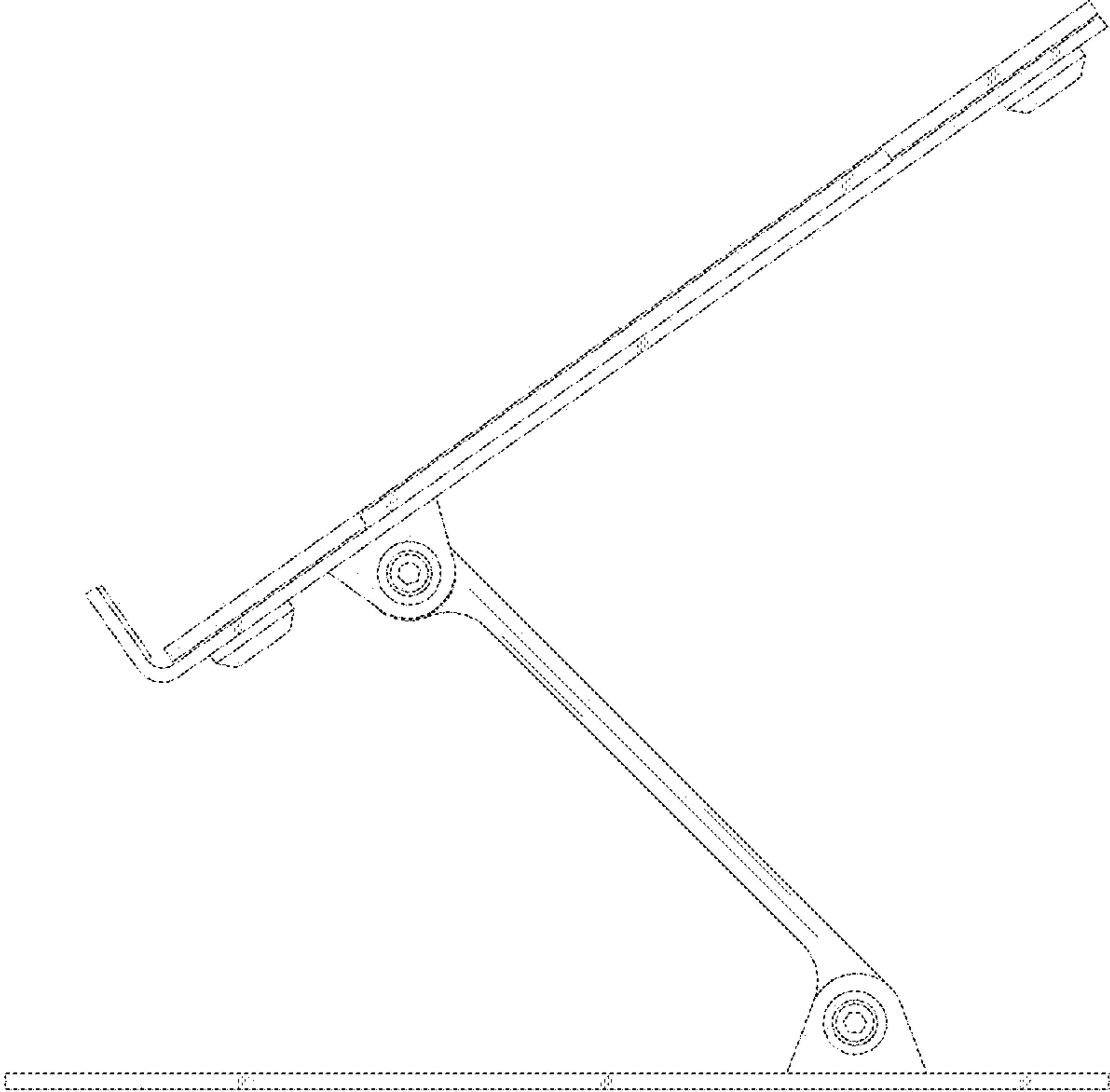


FIG.5

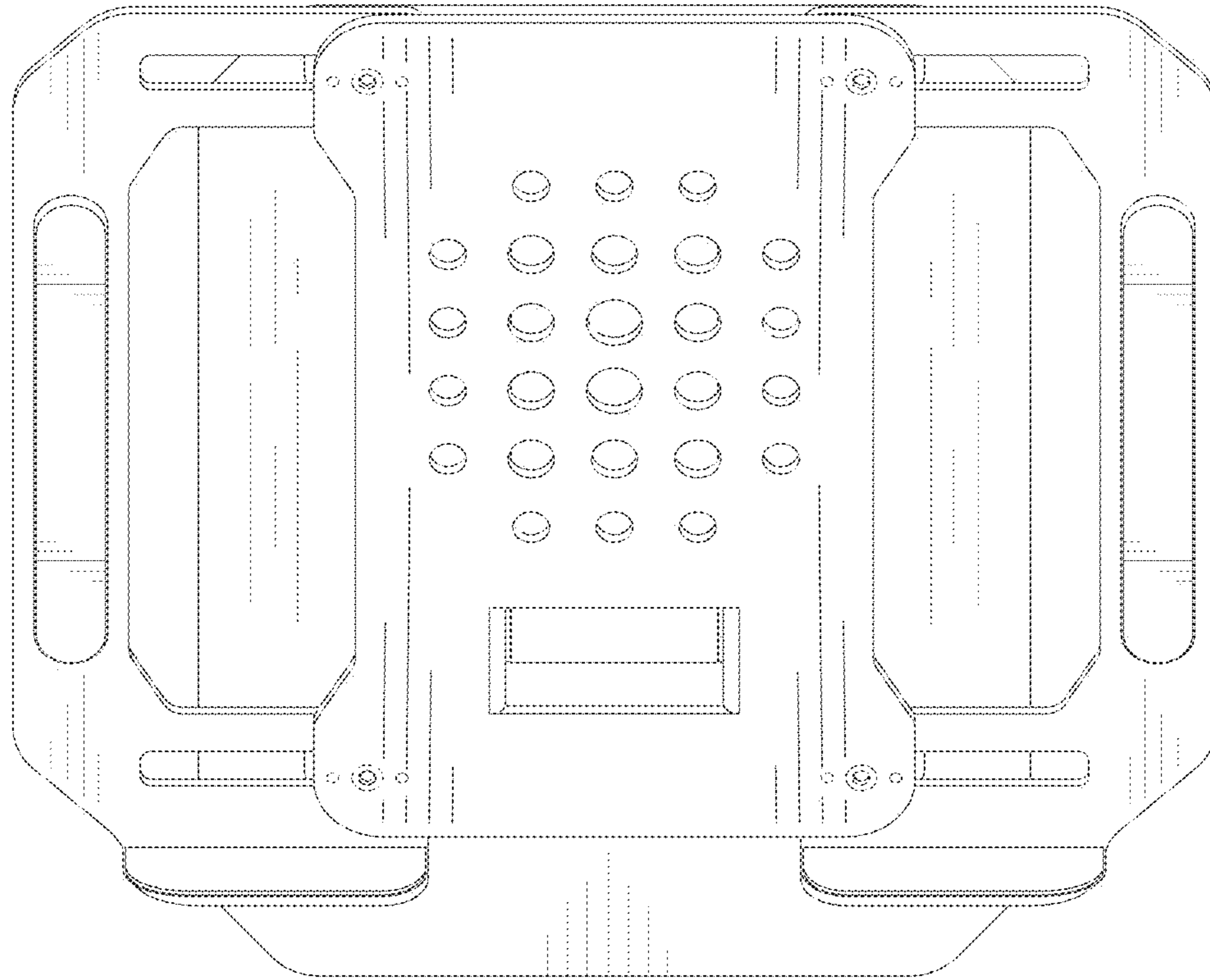


FIG.6

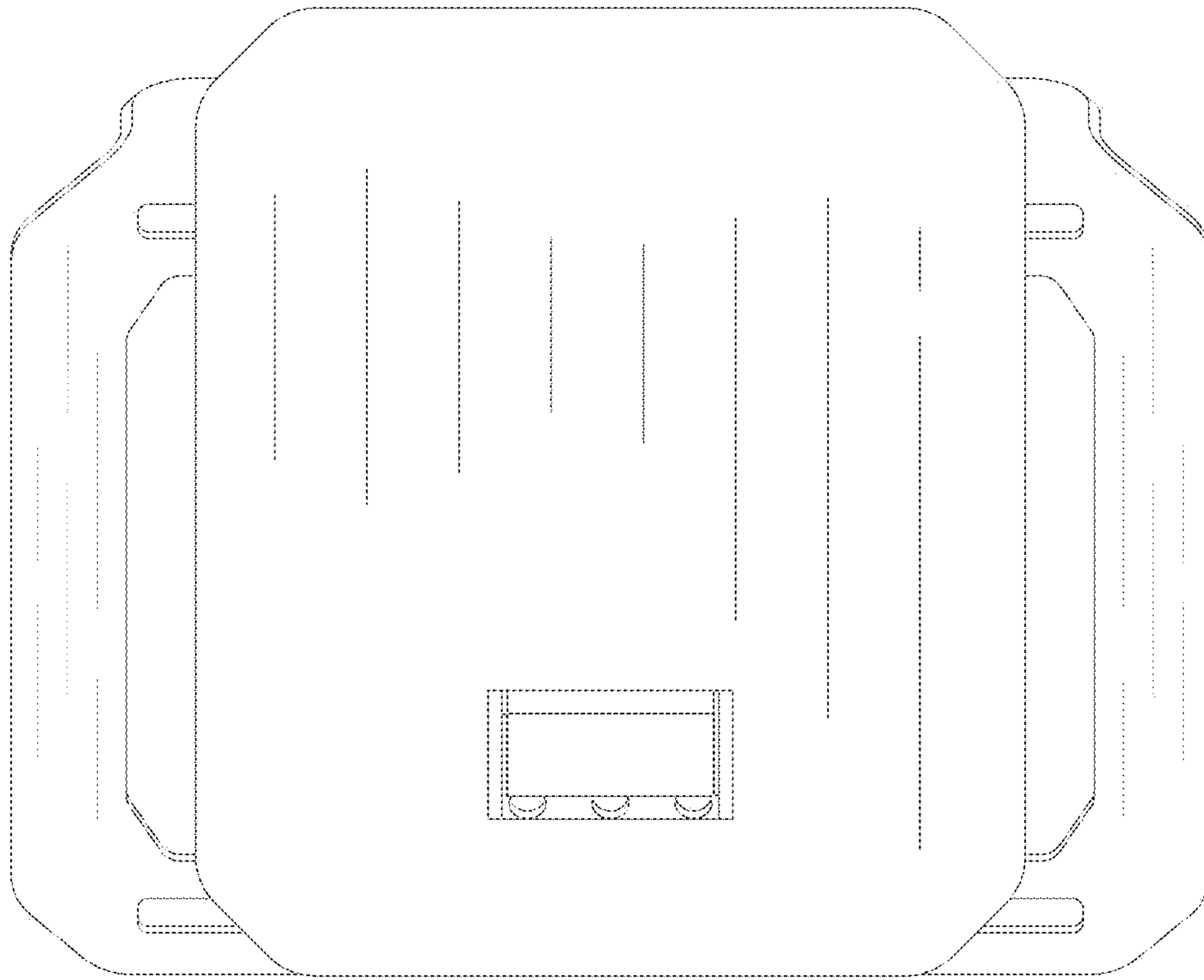


FIG. 7

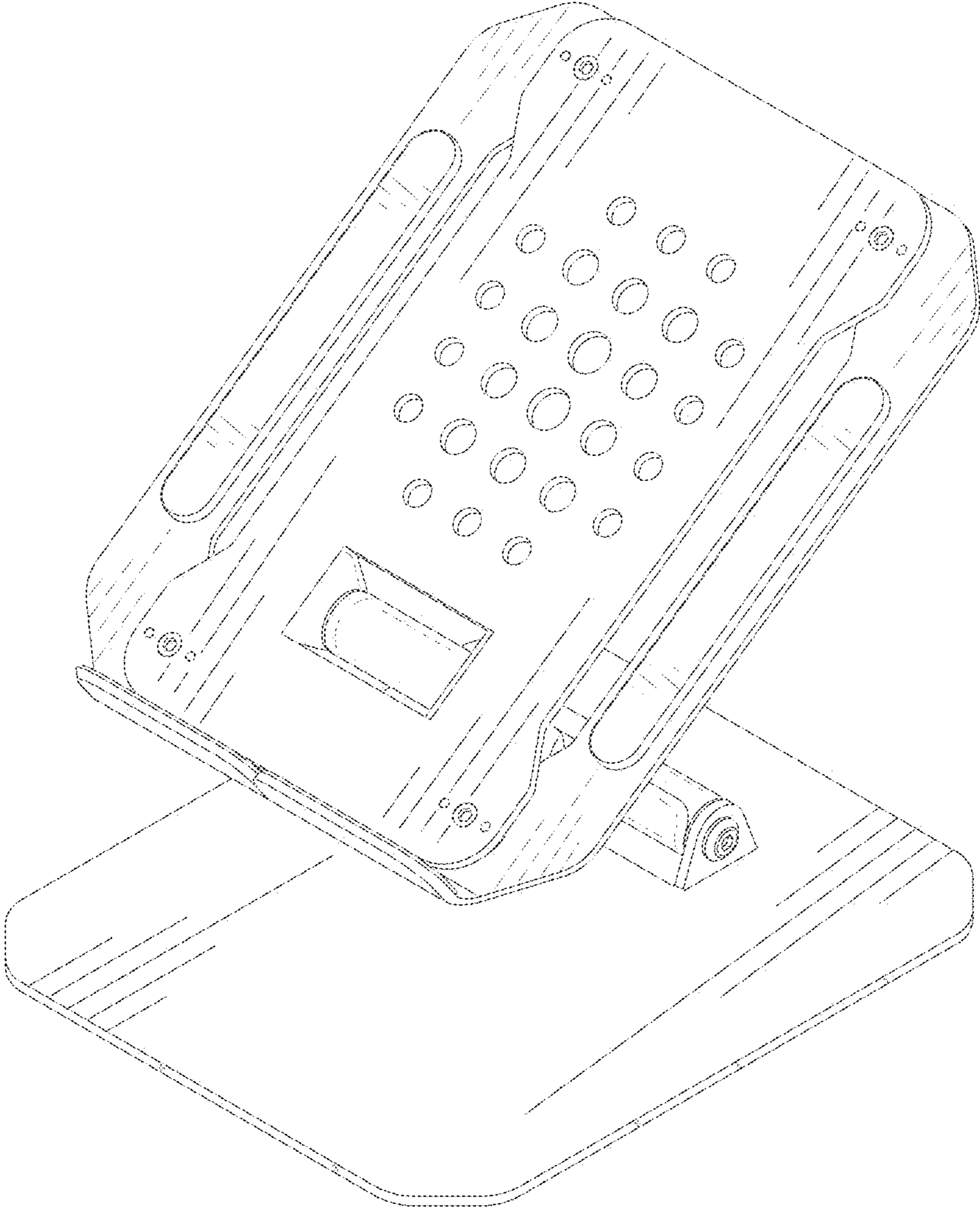


FIG.8

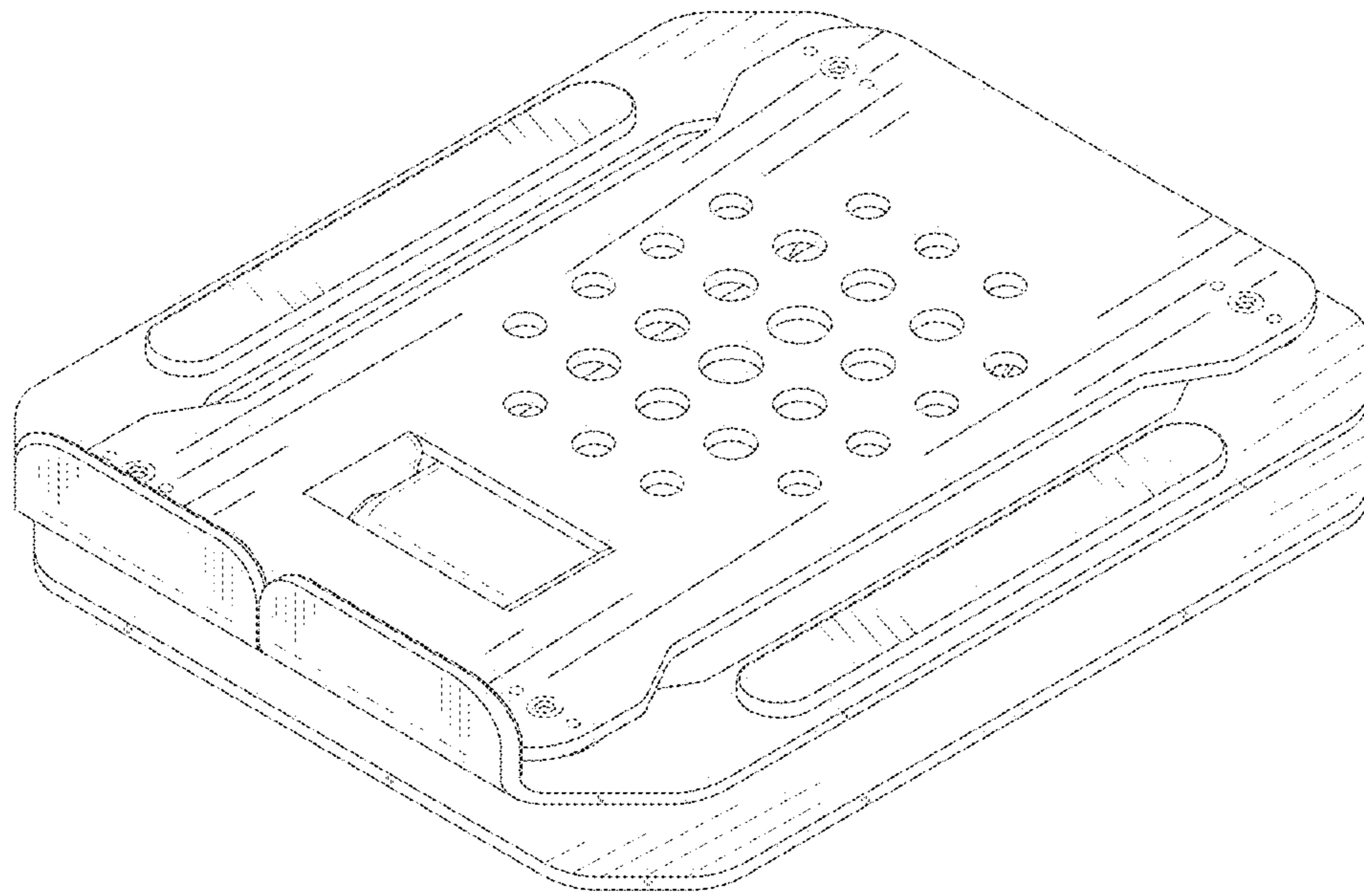


FIG.9

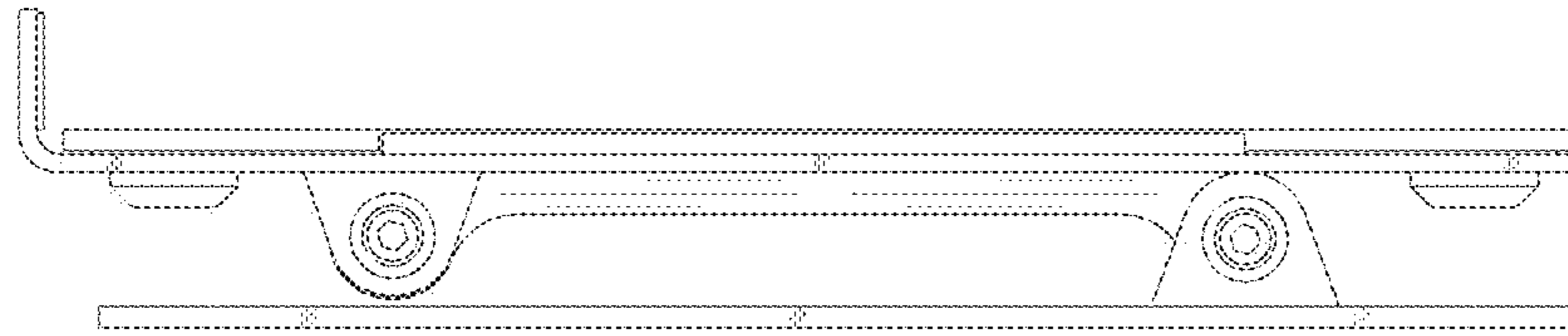


FIG.10