



US00D965601S

(12) **United States Design Patent** (10) **Patent No.:** **US D965,601 S**
Chen (45) **Date of Patent:** **** Oct. 4, 2022**

(54) **LAPTOP STAND**
(71) Applicant: **SHENZHEN BESTQI INNOVATION TECHNOLOGY CO., LTD**, Shenzhen (CN)
(72) Inventor: **Tong Chen**, Shenzhen (CN)
(73) Assignee: **SHENZHEN BESTQI INNOVATION TECHNOLOGY CO., LTD**, Shenzhen (CN)

2006/0054066 A1* 3/2006 Kopala, Jr. A47B 9/00
108/147
2007/0137535 A1* 6/2007 Jones A47B 9/02
108/147
2008/0121150 A1* 5/2008 Picchio A47B 13/023
248/161

(Continued)

FOREIGN PATENT DOCUMENTS

CN 307453882 * 7/2022

OTHER PUBLICATIONS

Amazon.com_ Lamicall Laptop Stand, first available Jun. 1, 2021 [online], retrieved Jul. 26, 2022, available at URL: <https://a.co/d/83WdZKh> (Year: 2021).*

Primary Examiner — Wendy L Arminio
Assistant Examiner — Carrie S Gelula

(57) **CLAIM**

The ornamental design for a laptop stand, as shown and described.

DESCRIPTION

FIG. 1 is a perspective view of a laptop stand showing my new design;
FIG. 2 is another perspective view thereof;
FIG. 3 is a front elevational view thereof;
FIG. 4 is a rear elevational view thereof;
FIG. 5 is a left side elevational view thereof;
FIG. 6 is a right side elevational view thereof;
FIG. 7 is a top plan view thereof;
FIG. 8 is a bottom plan view thereof;
FIG. 9 is a perspective view of the laptop stand where the laptop stand is in a configuration of use; and,
FIG. 10 is an enlarged view of portion 10 shown in FIG. 1. The dash-dash broken lines in the drawings depict portions of the laptop stand that form no part of the claimed design. The dot-dash broken lines represent boundaries of the enlarged portion and form no part of the claimed design.

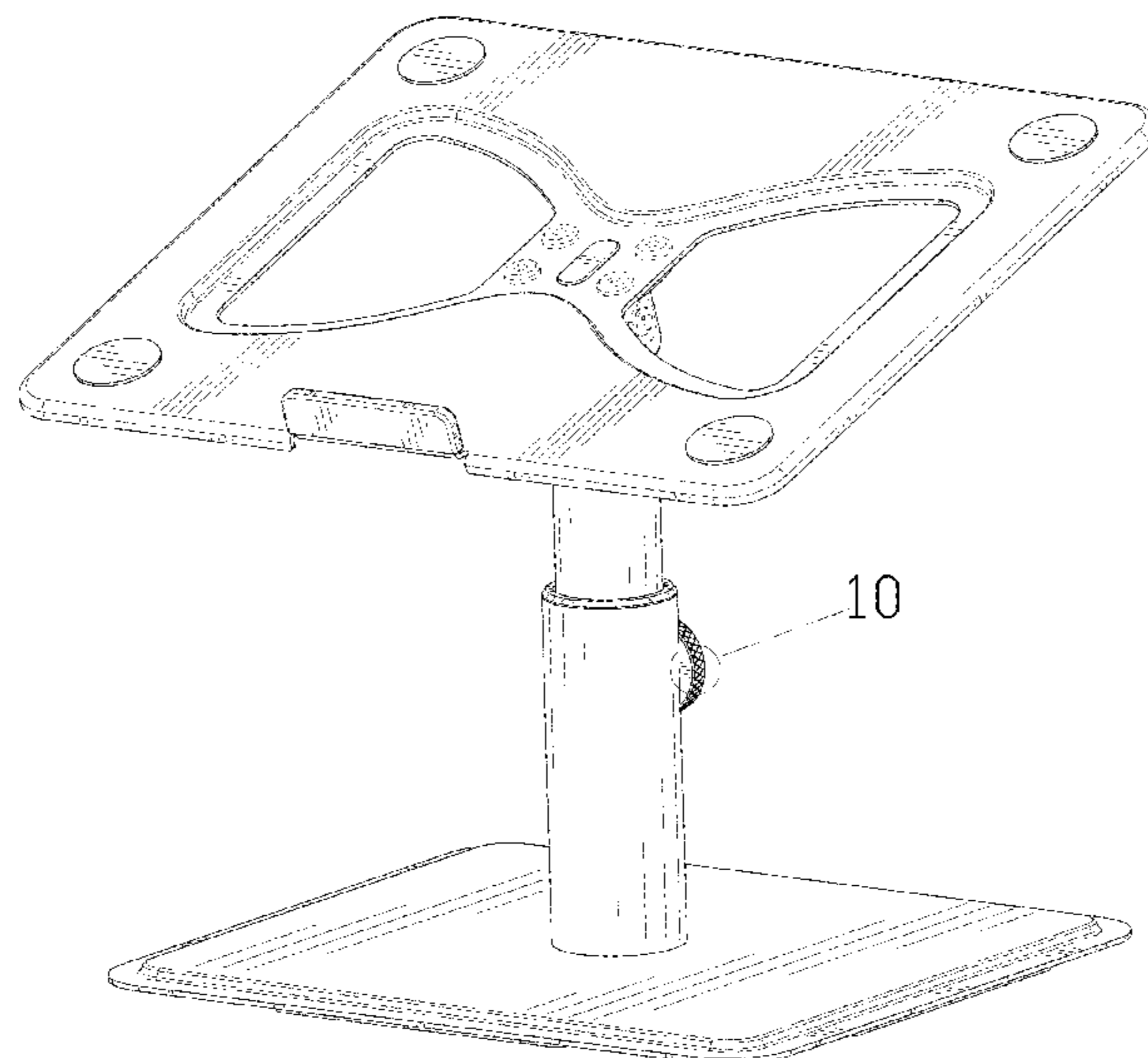
1 Claim, 10 Drawing Sheets

(**) Term: **15 Years**
(21) Appl. No.: **29/808,778**
(22) Filed: **Sep. 22, 2021**
(51) **LOC (13) Cl.** **14-02**
(52) **U.S. Cl.**
USPC **D14/447**
(58) **Field of Classification Search**
USPC D14/251, 252, 253, 432, 433, 434, 440,
D14/447, 451, 452, 457; D6/300, 309,
D6/312, 406.3, 406.4, 406.5, 406.6, 655,
D6/656; D19/91, 113; D13/107, 108
CPC A47B 2023/049; A47B 2097/006; A47B
23/04; A47B 23/043; A47B 23/044
See application file for complete search history.

(56) **References Cited**

U.S. PATENT DOCUMENTS

D468,542 S 1/2003 Hennekes et al.
D483,771 S 12/2003 Esswein
D625,302 S * 10/2010 Kasuga D14/239
D772,235 S * 11/2016 McGrath D14/447
D927,498 S * 8/2021 Wang D14/447
D944,240 S * 2/2022 Ye D14/253
D944,809 S * 3/2022 Wang D14/447
D953,341 S * 5/2022 Shi D14/451
D955,399 S * 6/2022 Shi D14/447



(56)

References Cited

U.S. PATENT DOCUMENTS

2019/0191866 A1* 6/2019 Lin A47B 9/04

* cited by examiner

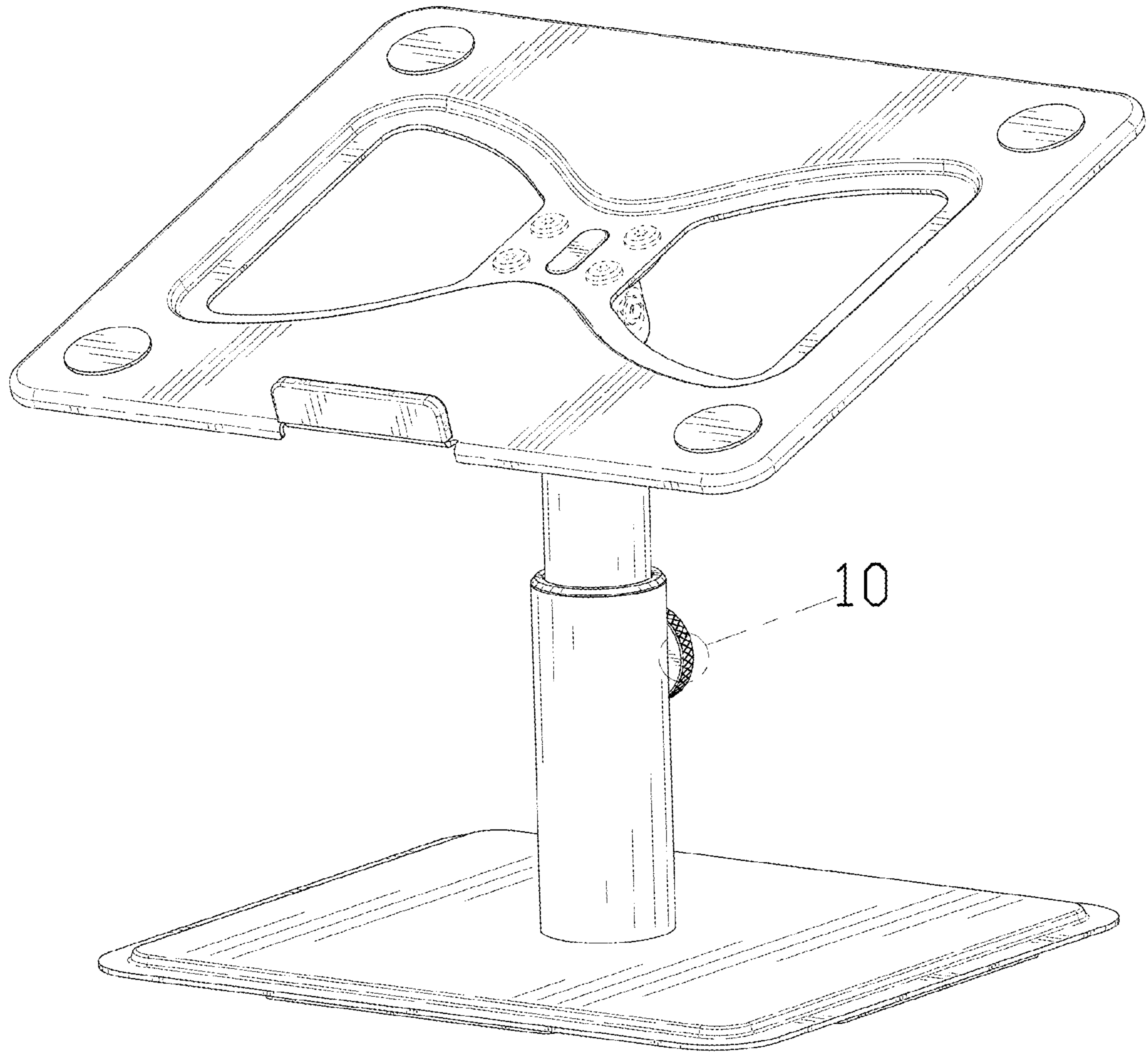


FIG. 1

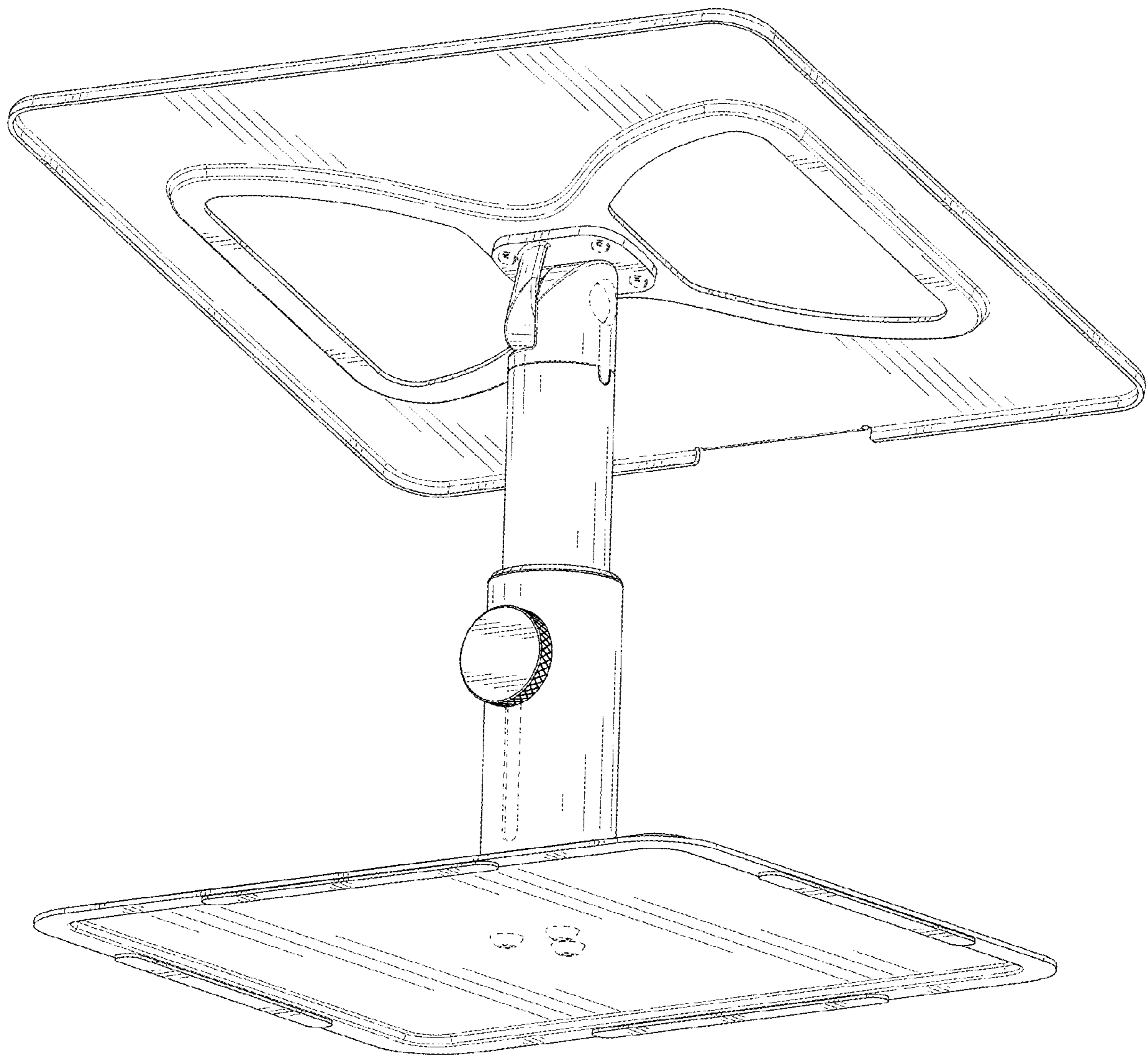


FIG. 2

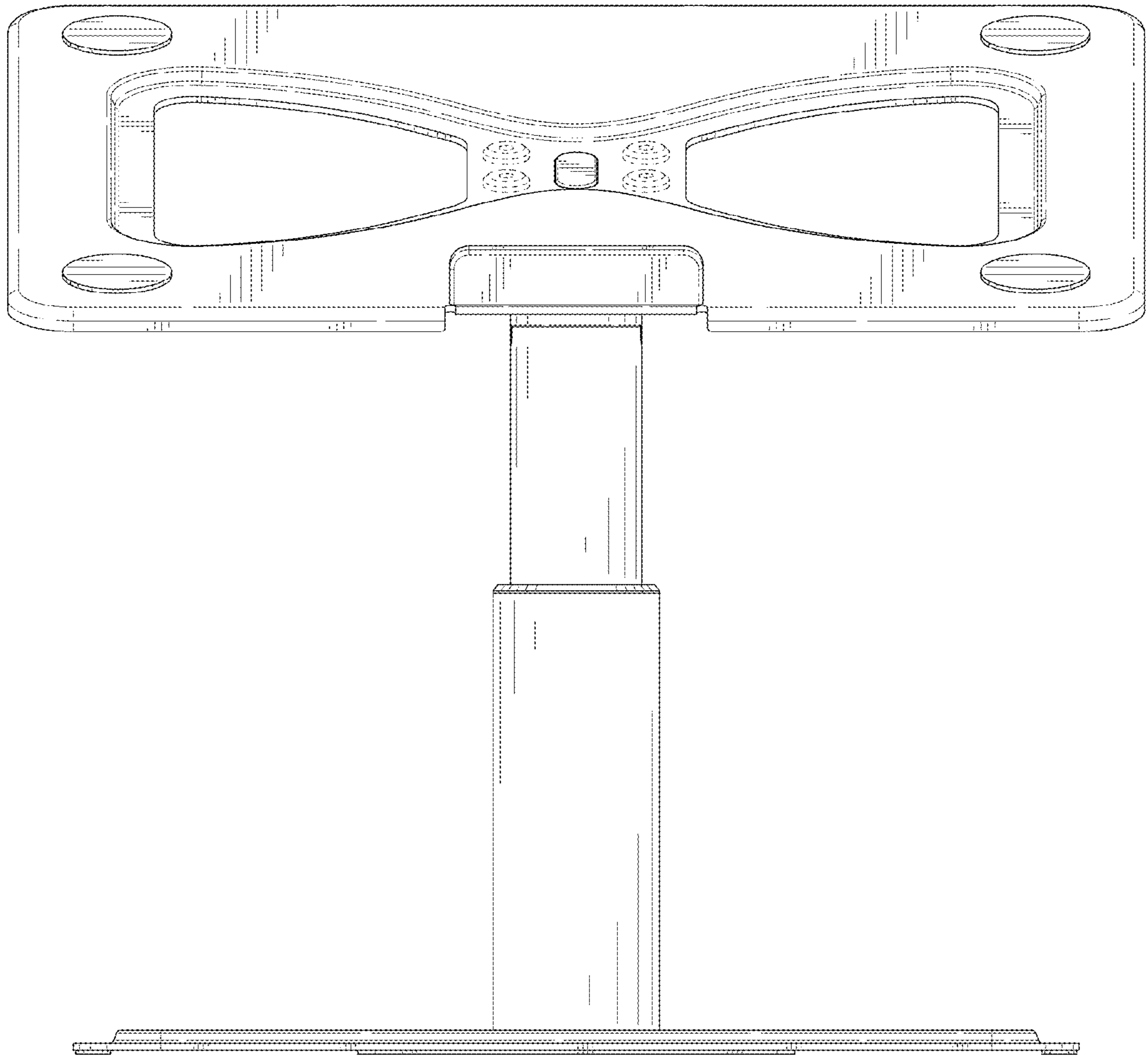


FIG. 3

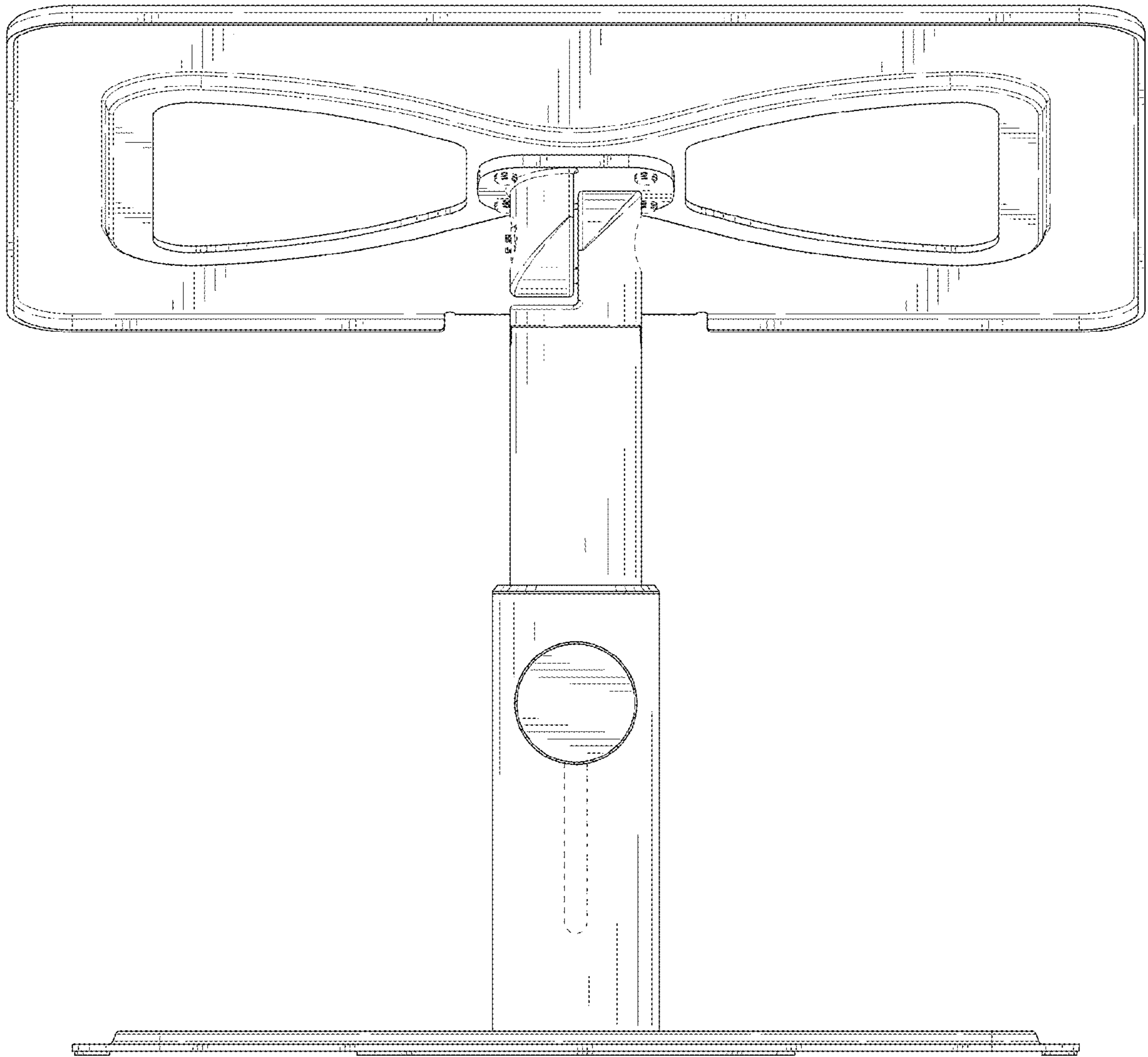


FIG. 4

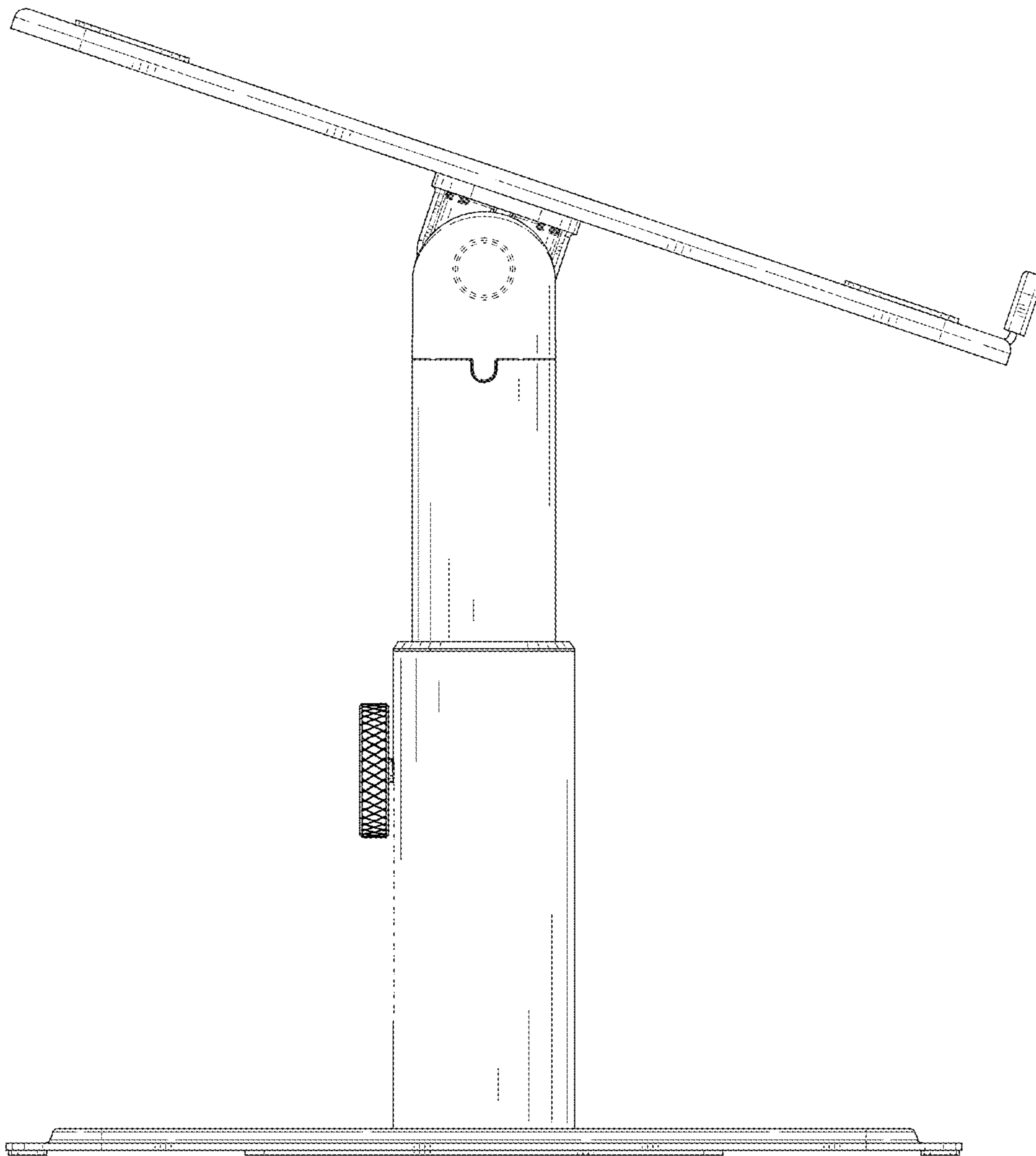


FIG. 5

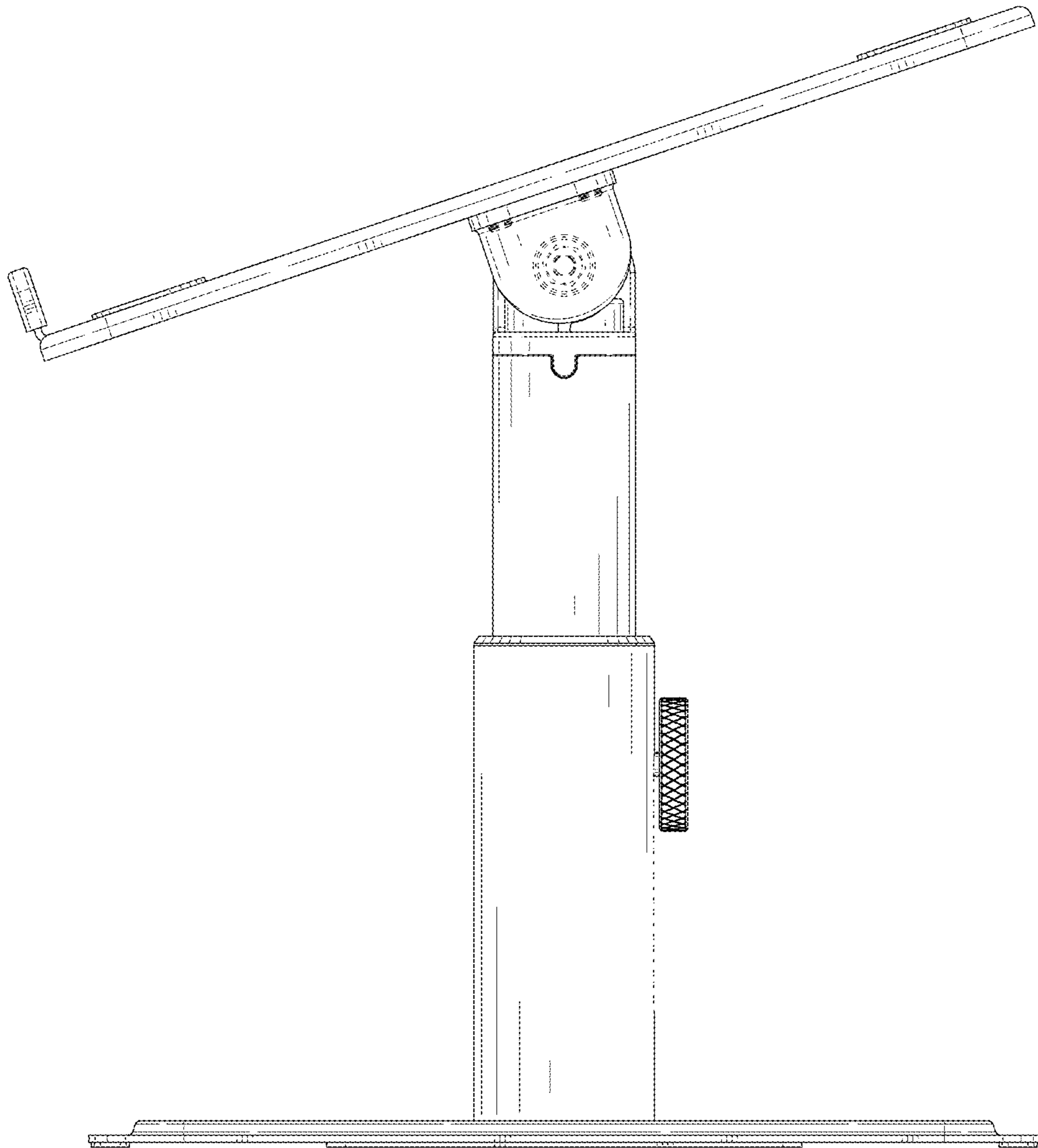


FIG. 6

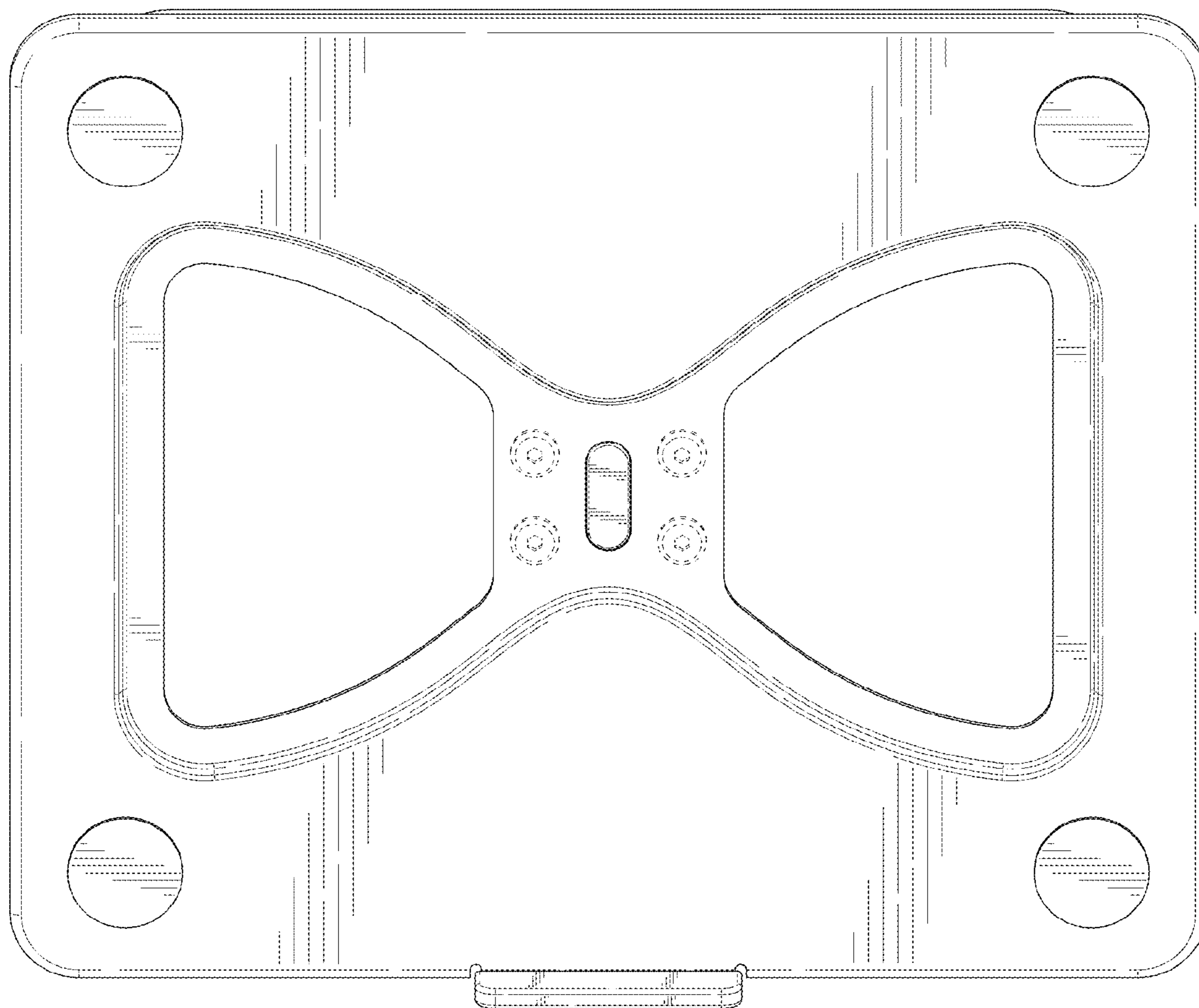


FIG. 7

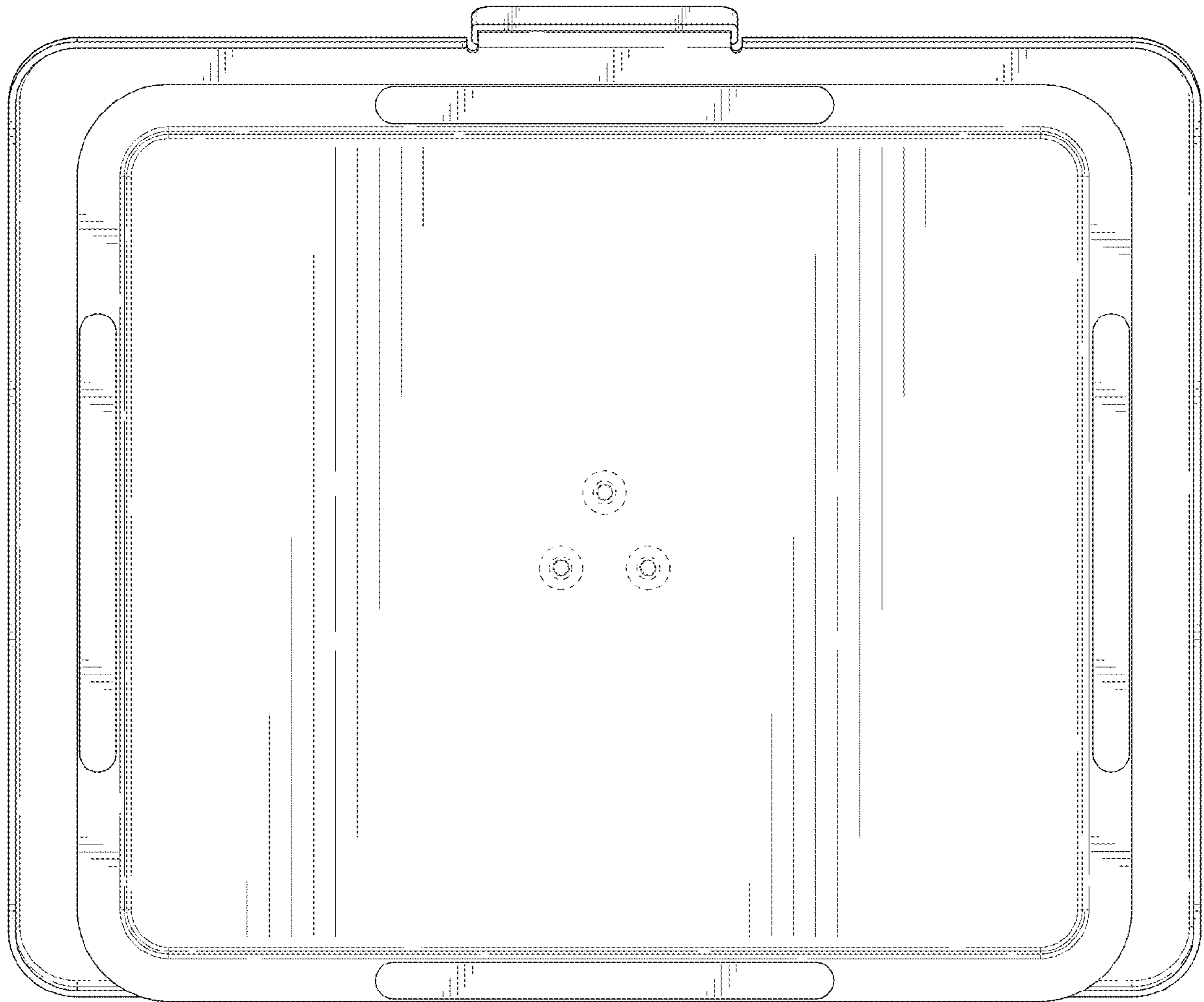


FIG. 8

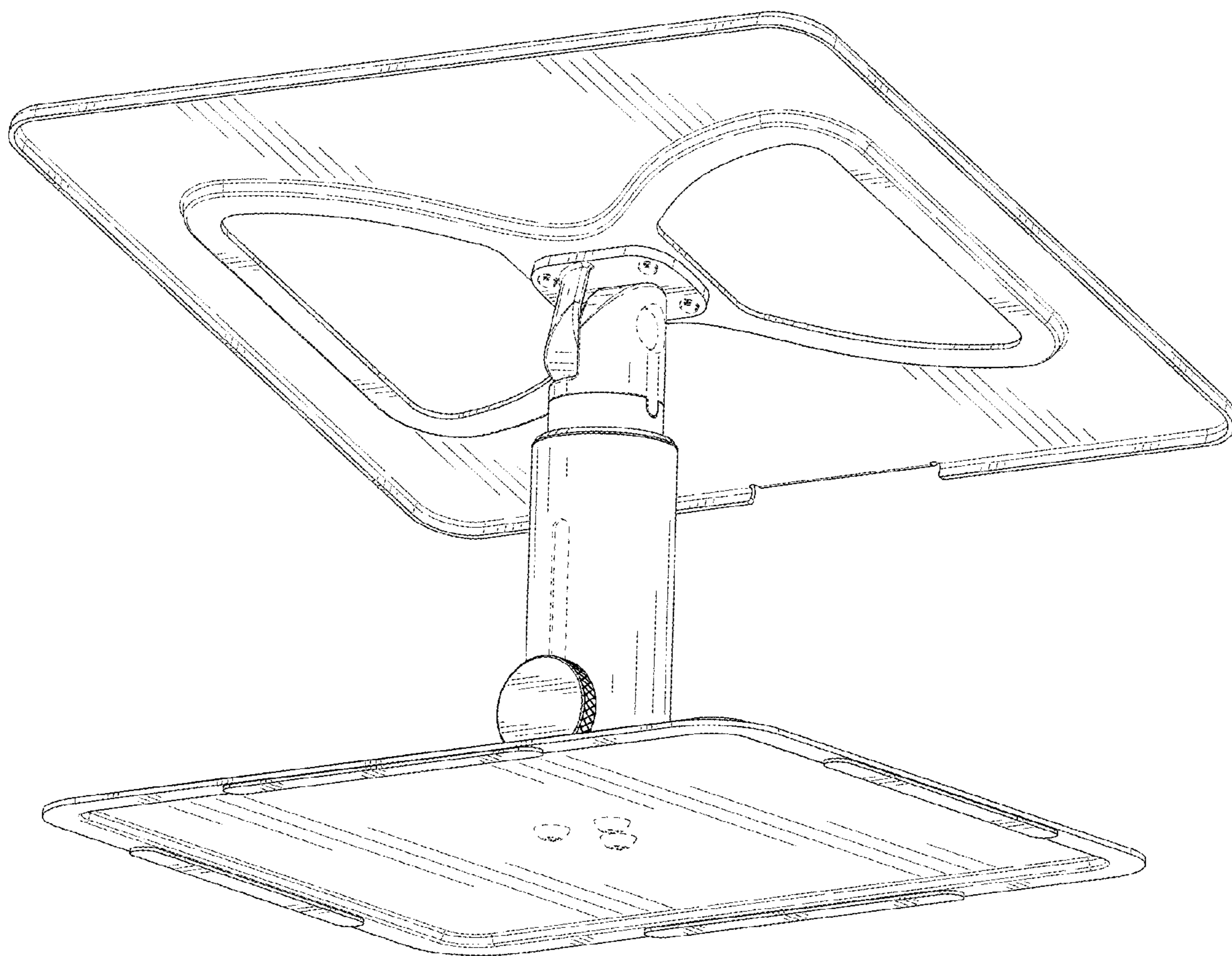


FIG. 9

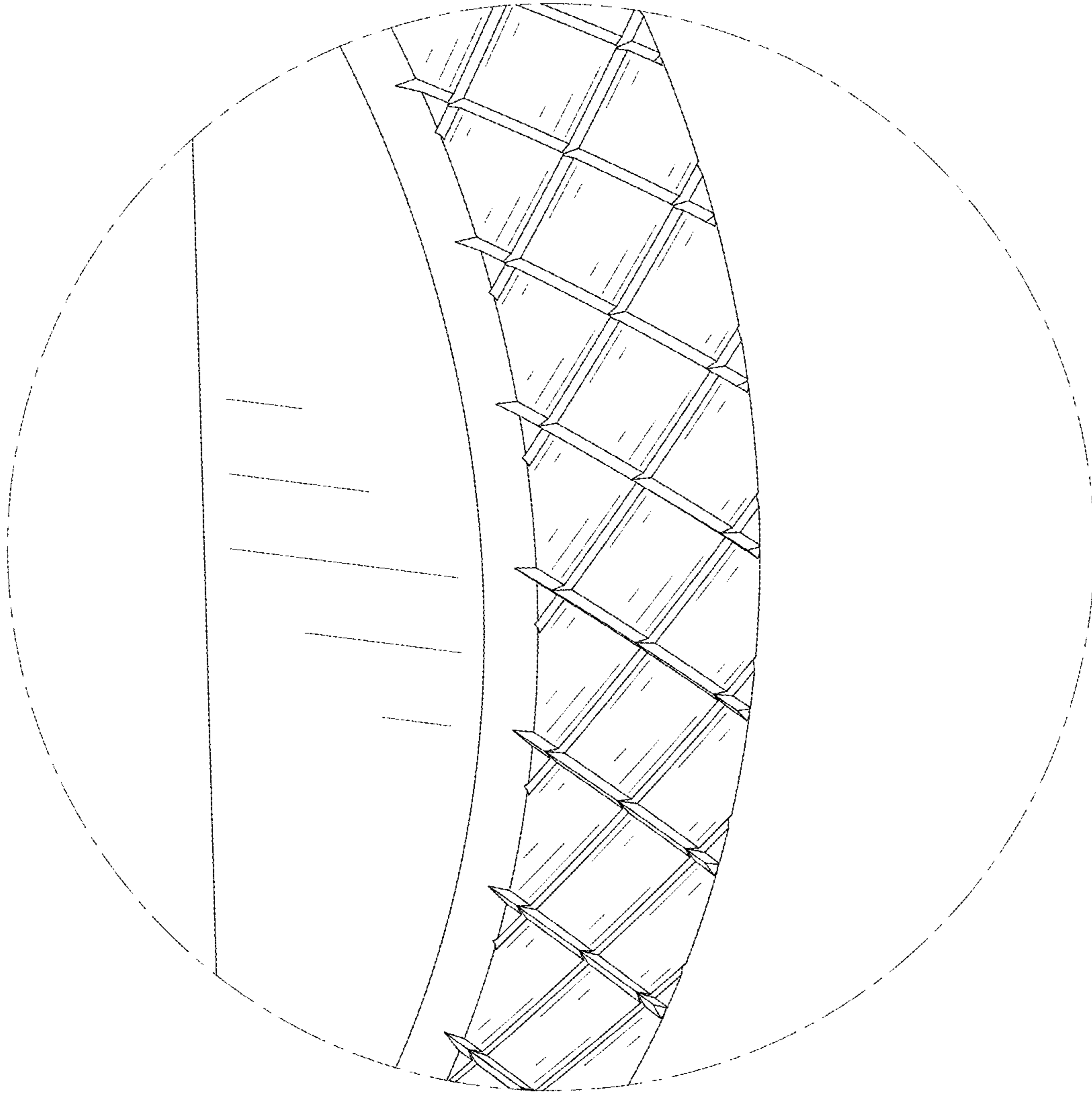


FIG. 10